



Classification report on fire spread degree according to PN-B-02867:2013-06

Contract No.: 01901/25/R75NZZ

Client:	<i>Profile VOX Sp. z o.o. Sp. k. ul. Gdyńska 143 62-004 Czerwonak</i>
Issued by:	<i>Fire Research Department Building Research Institute ul. Filtrowa 1 00-611 Warsaw</i>
Scope of the Report	<i>PVC-U SOLVO panel with finishing elements</i>
Classification report no:	<i>01901.5/25/R75NZZ</i>
Issue No.:	<i>1</i>
Date of issue:	<i>23 June 2025</i>
Valid until:	<i>23 June 2028</i>

This classification report consists of four pages. It may only be used or reproduced in its entirety.

1. Introduction

This classification report specifies the classification awarded to PVC-U SOLVO façade panels including finishing materials in accordance with PN-B-02867:2013-06.

2. Test reports and test results underlying the classification

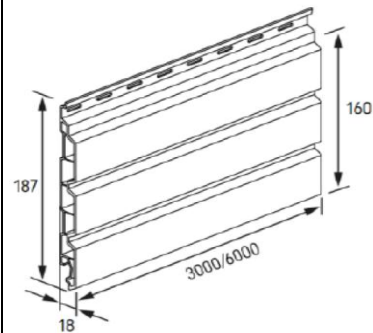
2.1 Fire spread degree testing reports according to PN-B-02867:2013-06

Laboratory name	Client	Test report no. and date	Test results
<i>ITB Fire Research Laboratory</i>	<i>Profile VOX Sp. z o.o. Sp. k.</i>	<i>LZP07-01901/25/R75NZZ 28 May 2025</i>	<i>NRO (non fire-spreading)</i>

Tested wall description:

SOLVO PVC-U panel:
 Panel thickness: 18 mm
 Panel width: 187 mm
 Surface mass: 8.5 kg/m²

SO-03
 Triple panel

**3. Classification and the scope of its application****3.1 Classification reference**

Classification has been determined in accordance with PN-B-02867:2013-06.

3.2 Classification

Classified items: PVC-U SOLVO panel with finishing elements

Fire spread degree:

NRO (non fire-spreading)

3.3 Scope of application

This classification is valid for the following parameters of component products:

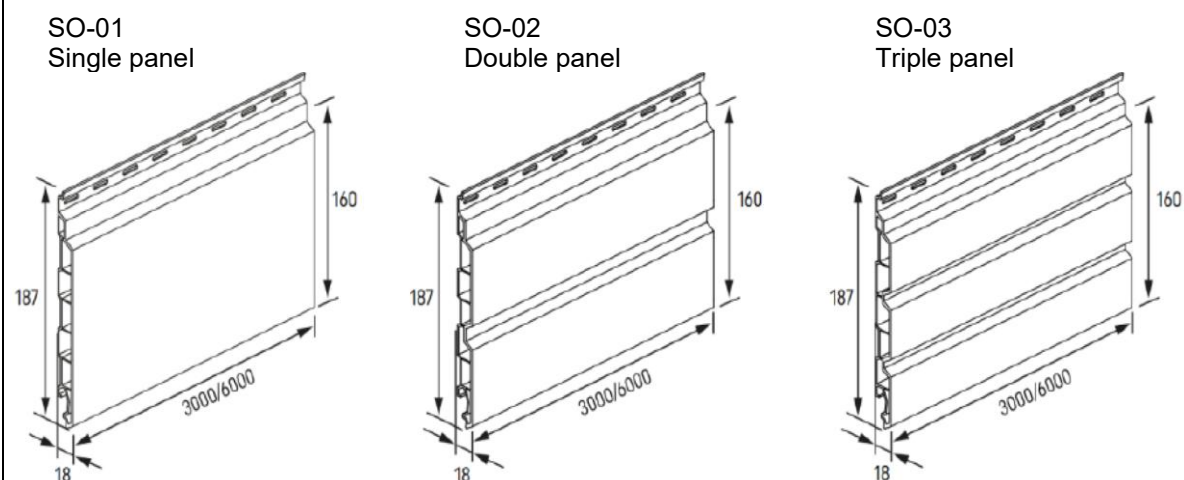
PVC-U SOLVO panels with finishing elements

Maximum width: 187 mm

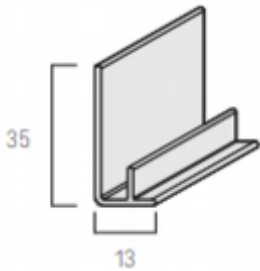
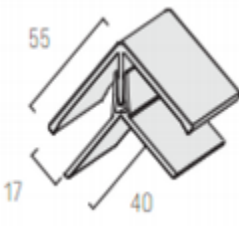
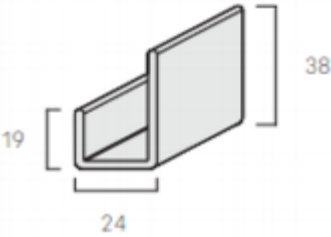
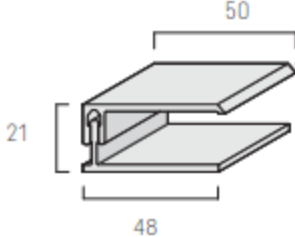
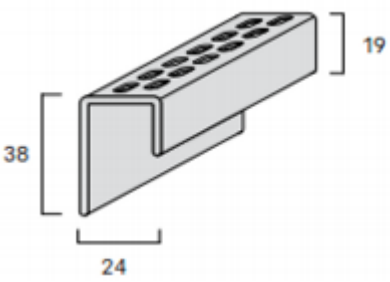
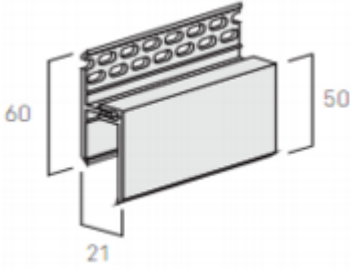
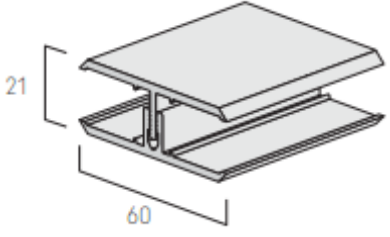
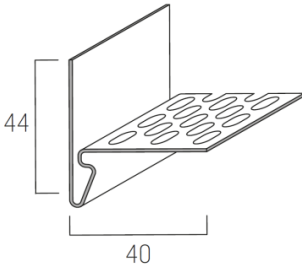
Panel weight: up to 8.5 kg/m²

The design of the panels and finishing elements is shown in Figures 1 and 2.

SOLVO façade panels with finishing elements are manufactured by Profile VOX sp. z o.o. sp. k., ul. Gdyńska 143, 62-004 Czerwonak, Poland.



*Fig. 1 PVC-U SOLVO panels
 (drawing provided by the client)*

FS-211	FS-222
	
FS-251	FS-252
	
FS-261	FS-262
	
FS-282	SV-11.5.
	
<p><i>Fig. 2 Finishing elements (drawing provided by the client)</i></p>	

4. Limitations

This classification document is not a technical approval or product certification.

Signed by

Łukasz Jarołowicz
signed electronically

**Accepted by
Manager, Fire Research Department**

dr inż. Bartłomiej K. Papis
signed electronically