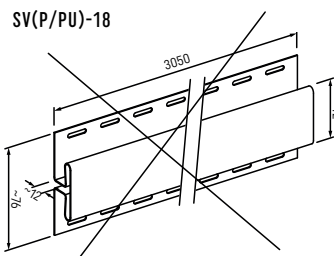
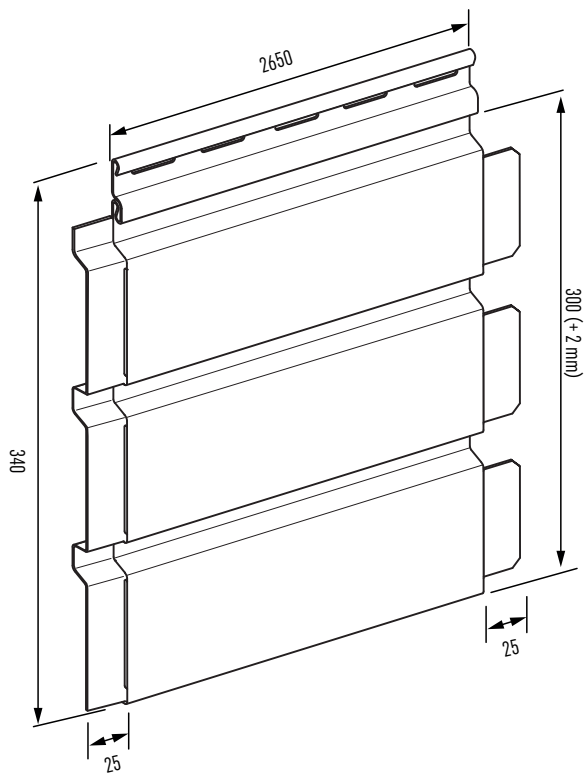


**SOFFIT INTERLOCKING PANEL**  
Installation on metal substructure

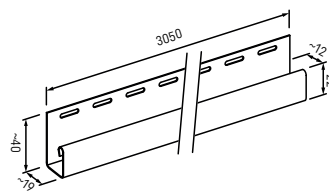


# FINISHING PANELS AND MOULDINGS

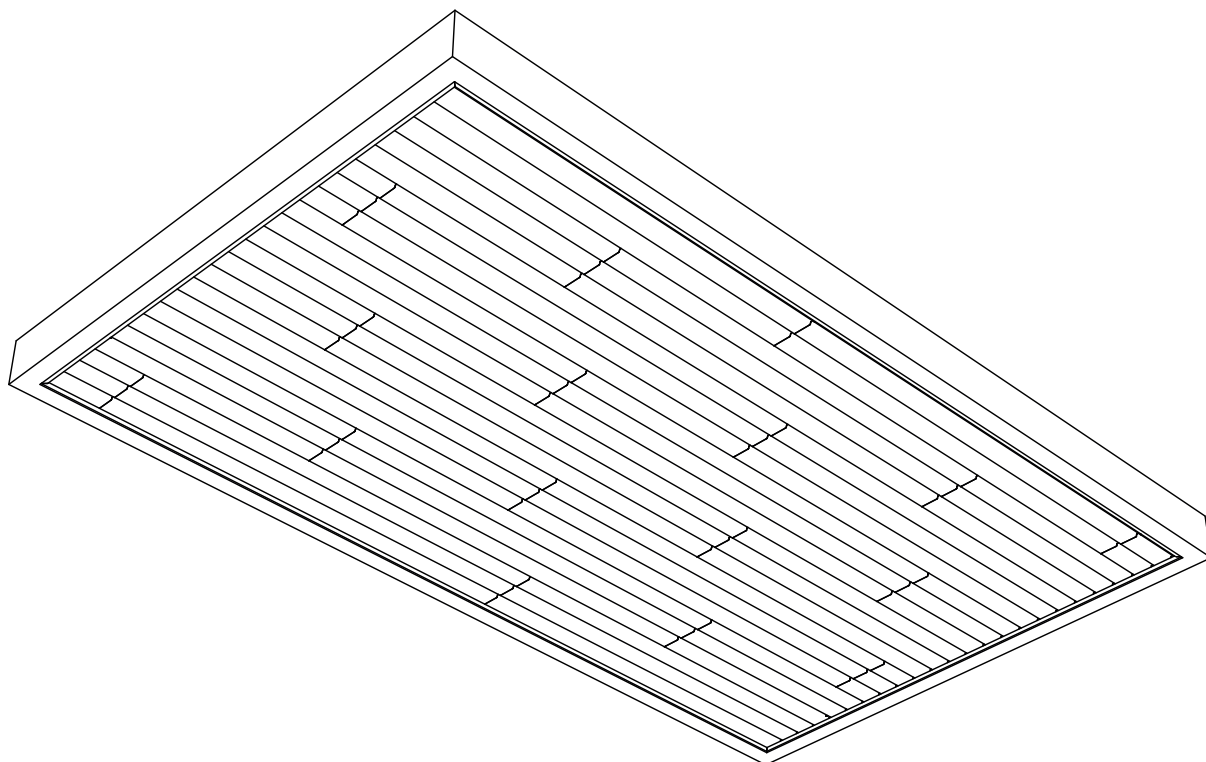
SV(P/PU)-08 -INTERLOCKING PANEL



SV(P/PU)-15



installation example



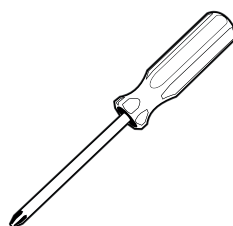
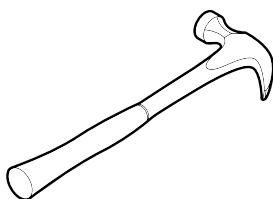
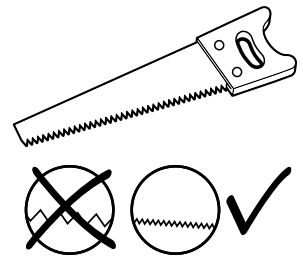
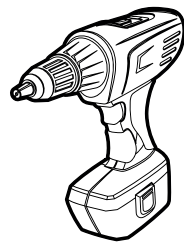
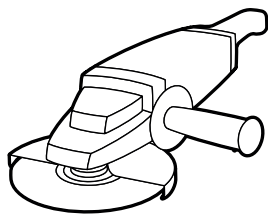
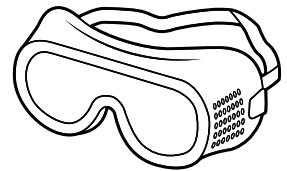
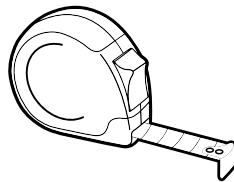
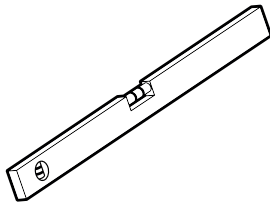
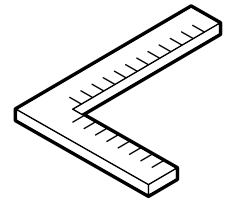
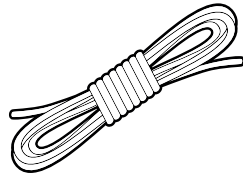
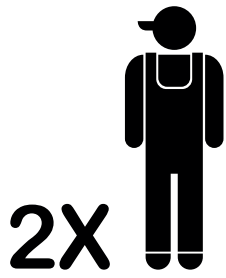
# SOFFIT

## GENERAL INFORMATION

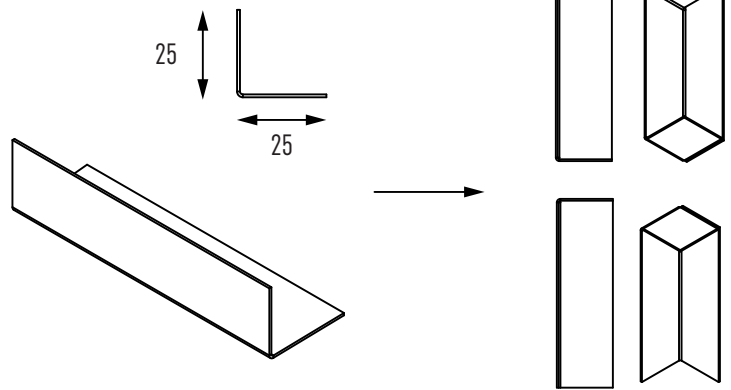
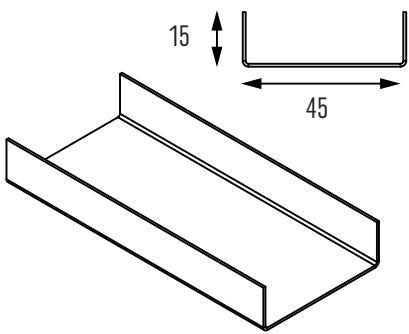
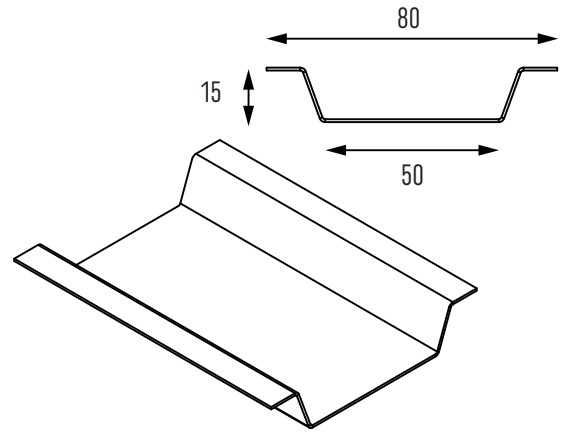
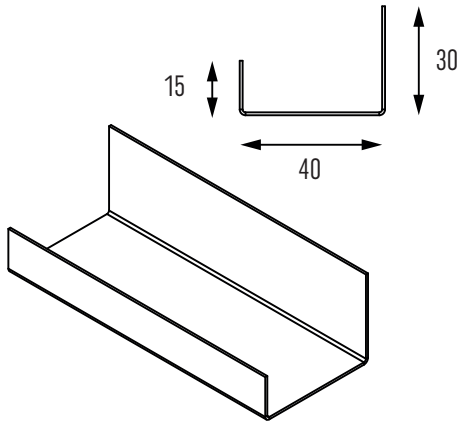
### EN

- Products should be stored in covered spaces, beyond heating equipment and direct sunlight, at a temperature not higher than 60 °C. In terms securing profiles against contamination, deformation and mechanical damage. The products should be stored on shelves or pallets with a length not less than the length of a package. It is not allowed to leave the ends of the package without support and laying more than 10-12 packs of one another.
  - The profiles should be transported in a horizontal position, at a temperature not exceeding 60°C.
  - Unpack the product and compare the colours before installation. Minimum shade differences are admissible.
  - Machining of the profiles should be performed using conventional woodworking tools for cutting or drilling. Use fine toothed saws; mechanic tools for machining should be used with the same or higher speeds as for woodworking.
  - A natural and immanent feature of PVC is the change of dimensions resulting from different temperatures. The profiles may change their length by 0.7mm at a 1m section, for each 10°C of temperature difference.
  - Mount the profiles at an ambient temperature between 5°C and 30°C. Before installation, season the profiles on site for 2 to 3 hours so it is possible for each profile to adapt its temperature to the ambient temperature.
  - When installing the panels, never tighten the screw to the end (so the head directly touches the panel surface), as this may limit the possibility of expansion/contraction. Maintain a small gap between the panel surface and the bottom plane of the screw head, so it is possible to move the panel horizontally after it is screwed to the battens.
  - Clean the panels and strips from time to time using a domestic detergent solution with a temperature not exceeding 40°C. Do not use solvents or similar aggressive and caustic fluids. Wash the surface with clean water after cleaning.
  - Trims and panels should be leveled during installation using a spirit level.
  - You can use tin snips or a saw to cut panels and trims.
  - During installation, each subsequent panel should be attached to the edge of the previous panel.
- **NOTE!** Please read the detailed instruction for installation and use, available at [www.profile.vox.pl](http://www.profile.vox.pl).

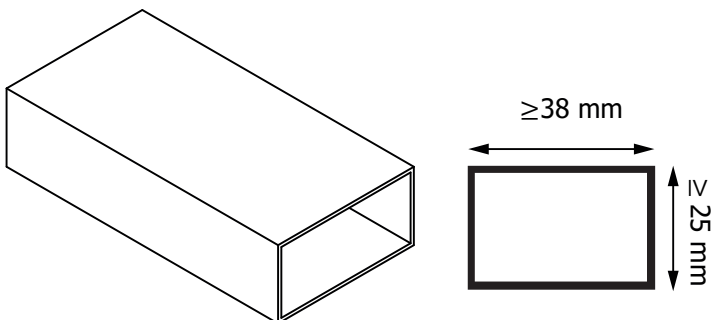
# TOOLS



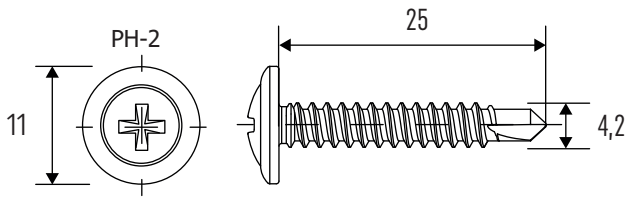
# GI Channels - 0.55mm and 0.8mm (Intermediate channel) thickness (Indoors)



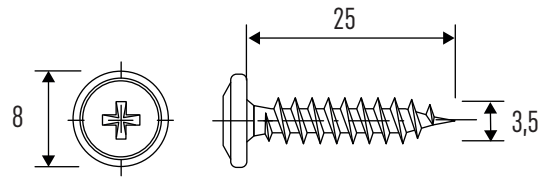
# Aluminium Channels 1.2 thickness (Indoors /Outdoors)



# SCREW for product installation

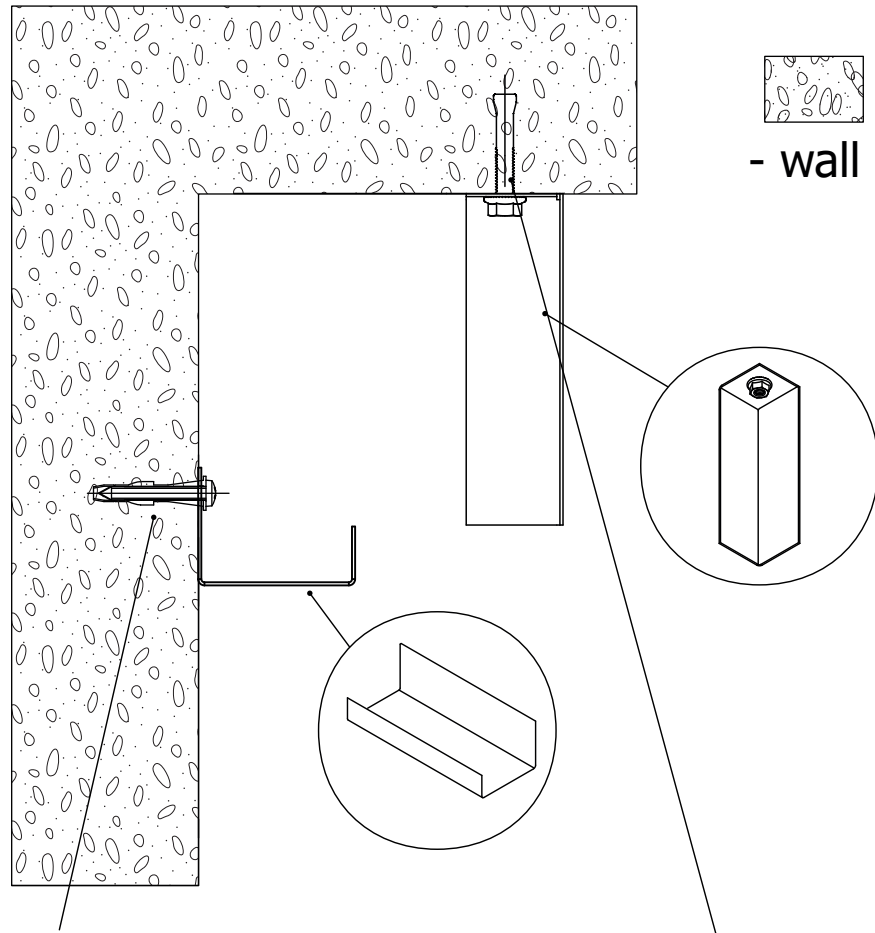


Self drilling screw - Philip pan head screw  
- 1" for aluminium channels WSPC 4,2x25

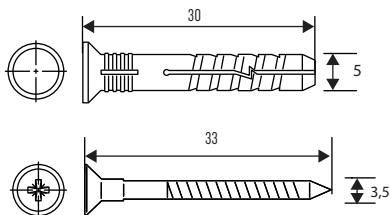


Self Tapping screw - Philip pan head screw  
- 1" for GI channels (dia 8mm length 25mm)

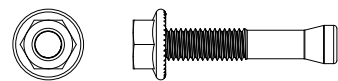
# SCREW for GI Channels installation



Dowel with bolt  
SM 5X30 mm

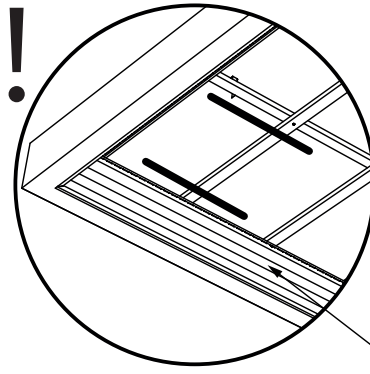


Anchor bolt

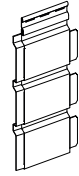


# 1. INSTALLATION ALUMINIUM CHANELS

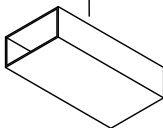
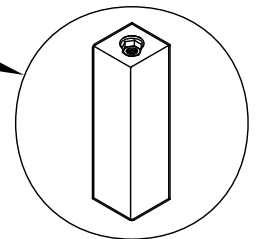
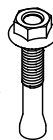
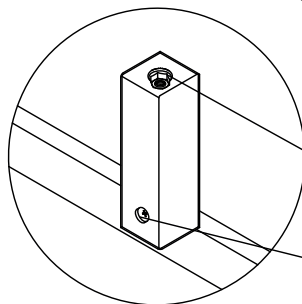
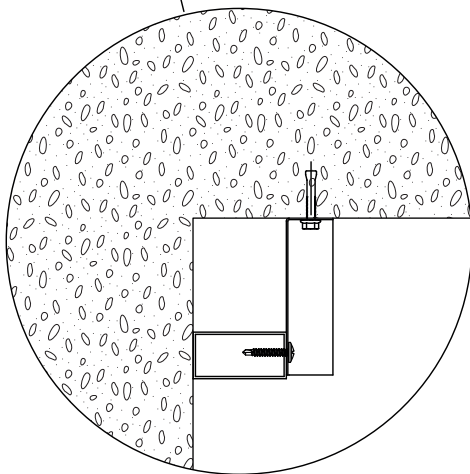
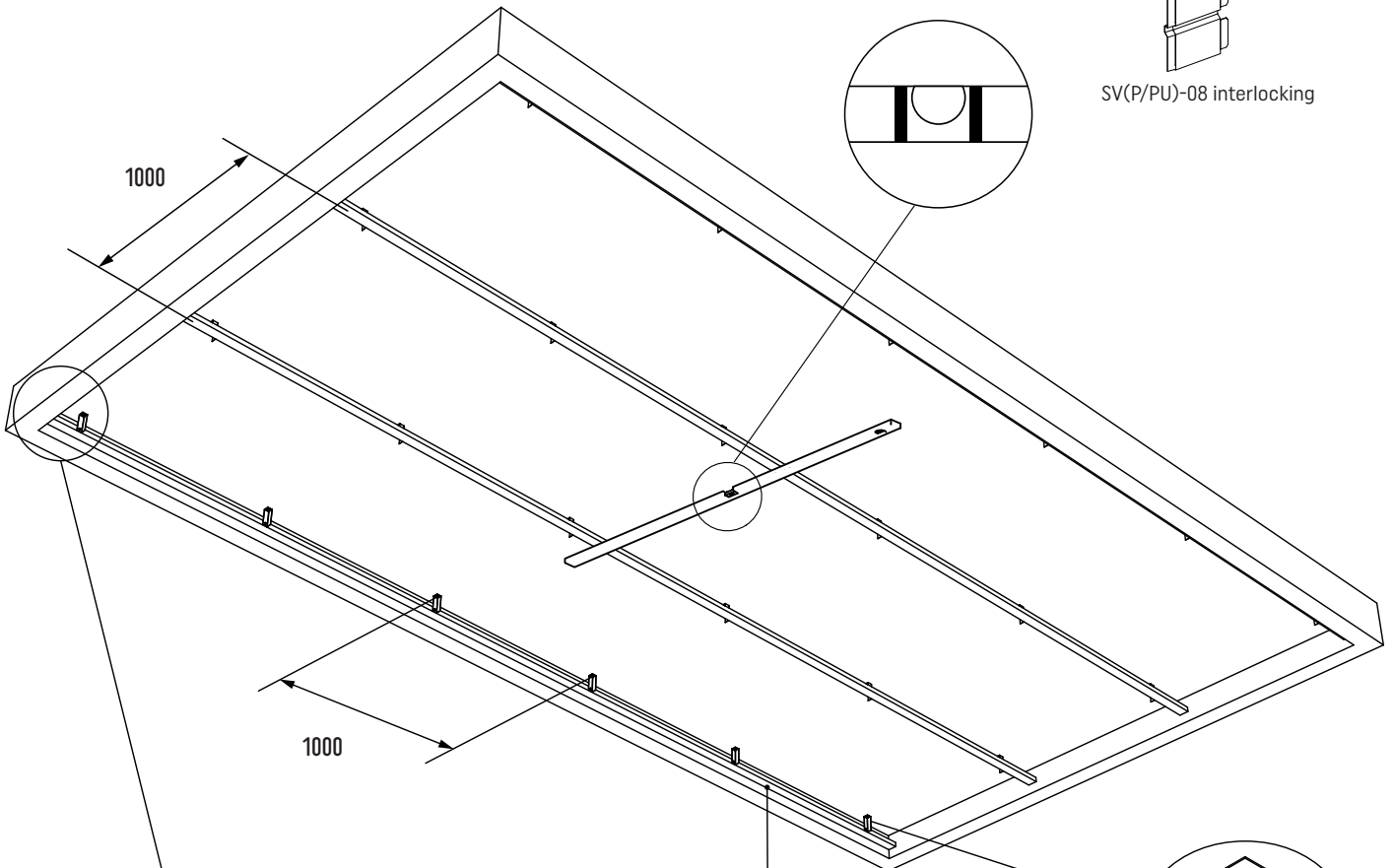
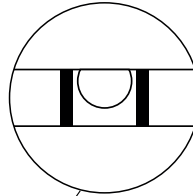
## 1.1 Installation of hangers for Beam support.



Attention!  
Remember the Beam support will be the direction of the soffit panel. See step 1.3



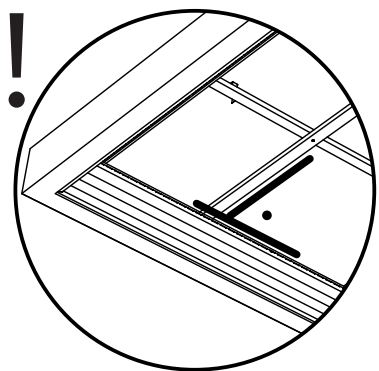
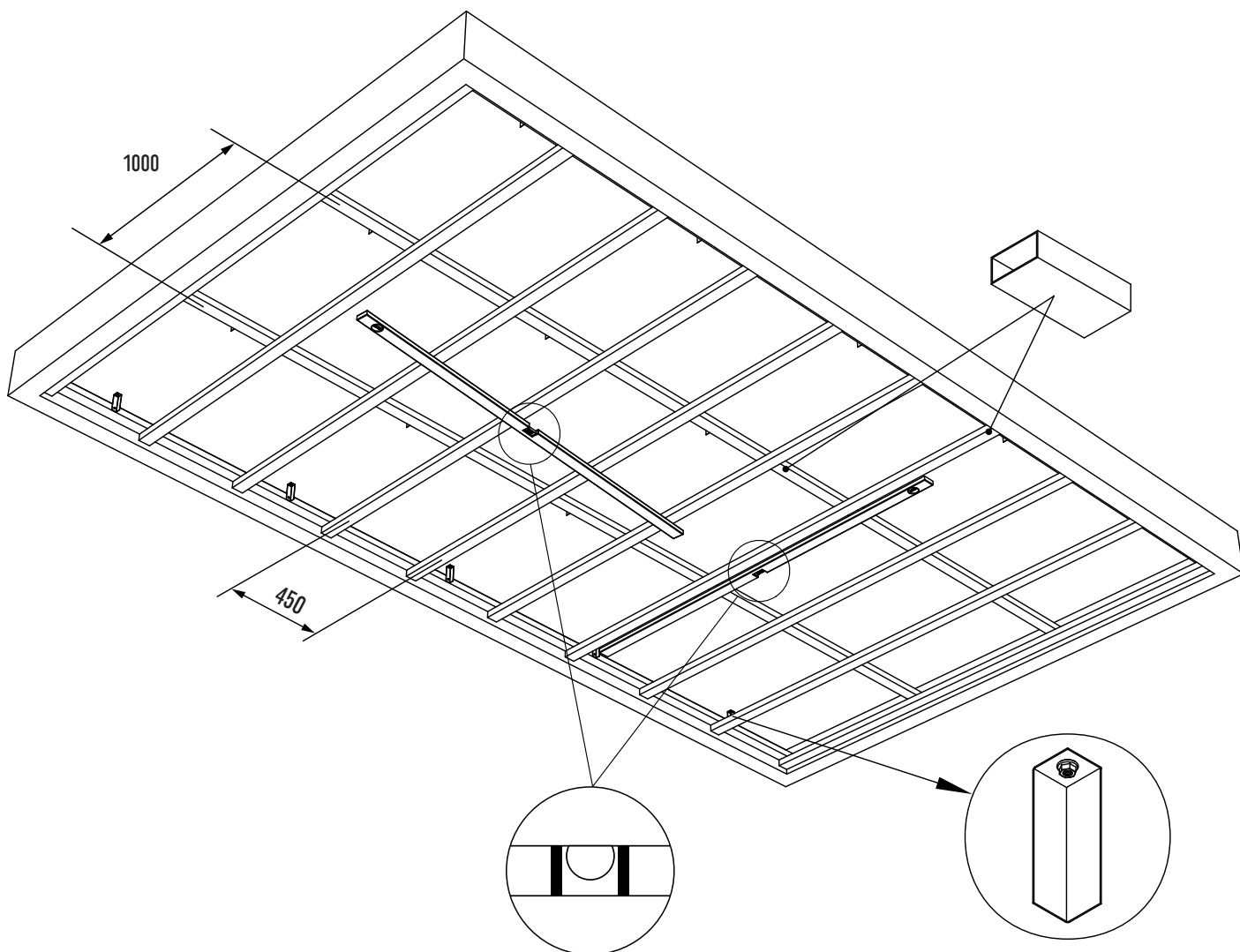
SV(P/PU)-08 interlocking



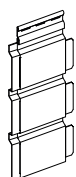
1.1 Install the metal substructure.

Installation of hangers for Beam support every 1000mm.

Installation metal frame for fixing Soffit SV(P/PU)-08 interlocking, fixed metal frame every 450mm.

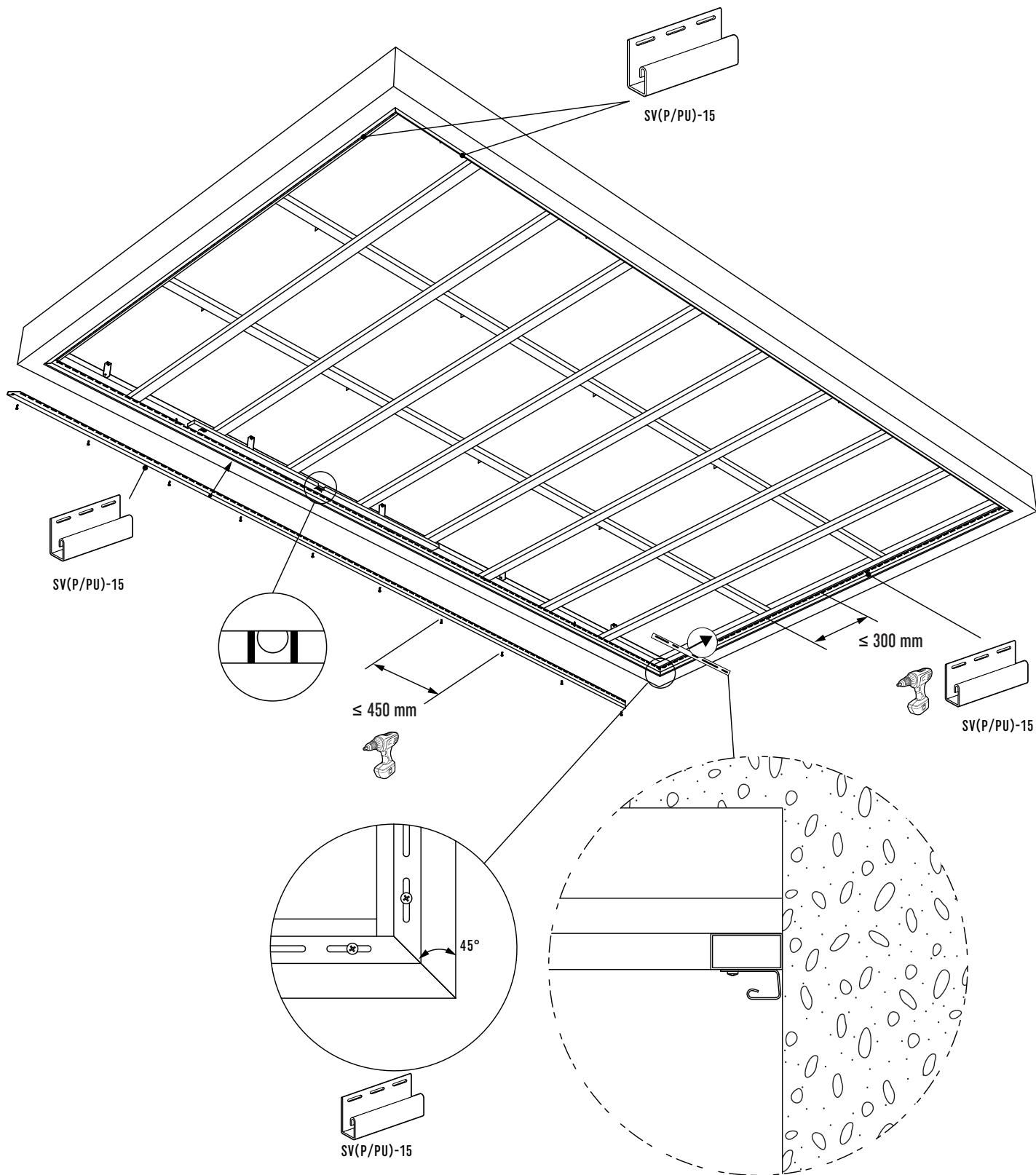


**Attention!**  
The frame every 450 mm will be perpendicular to the soffit panels.



SV(P/PU)-08 interlocking

1.2 Installation trims. J (SV(P/PU)-15) trims to be screwed at every 450mm - 300mm.  
At all corners the J trim has to be cut at 45° and joint  
Installation Soffit SV(\*)-08 INTERLOCKING, you don't need T trim - SV(P/PU)-18.



1.3 Panels to be screwed to framework every 450mm.

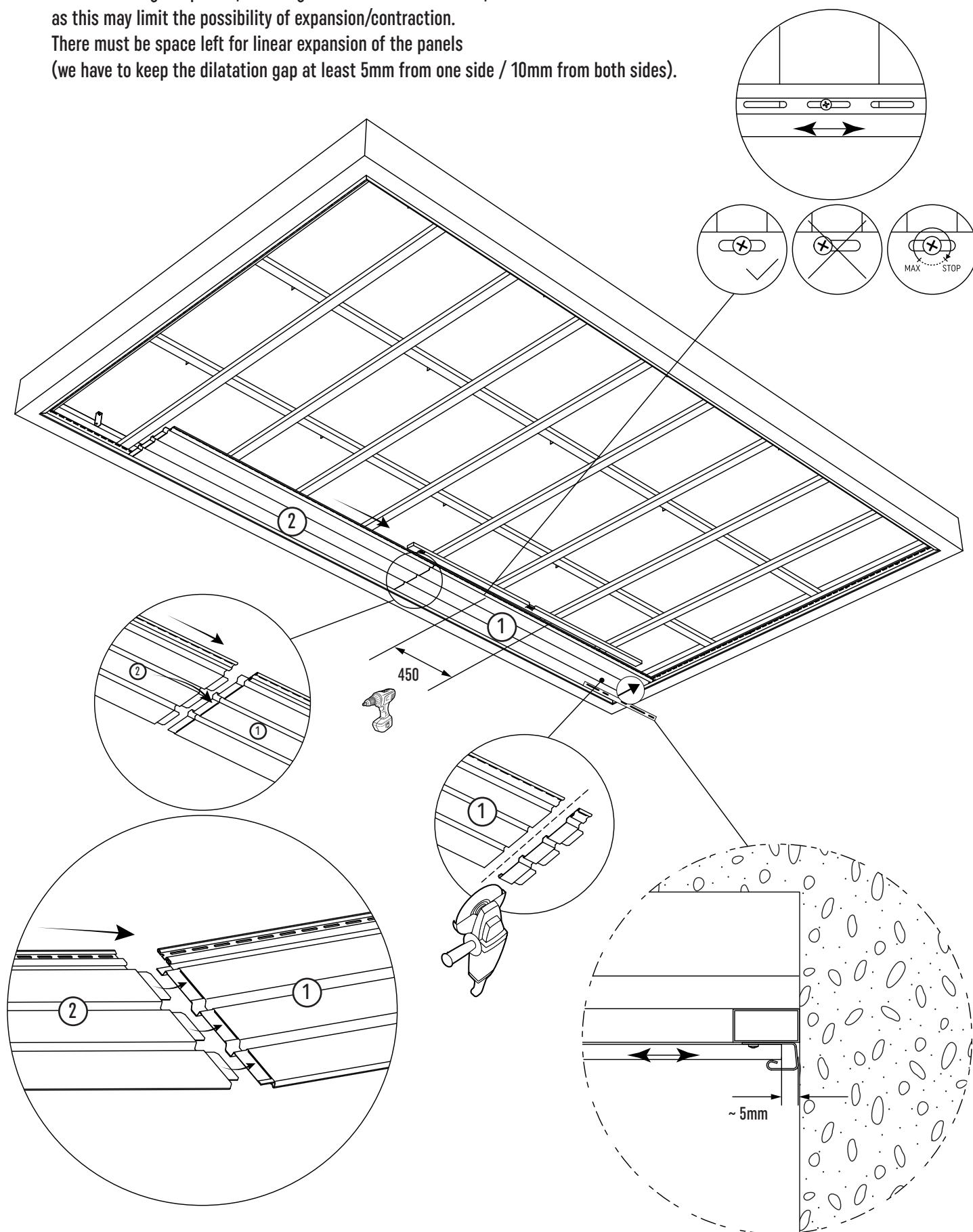
Cut off the protrusion on the short side of the first panel and insert it into the strip.

Install the next panel by inserting the protrusions into the holes of the first panel.

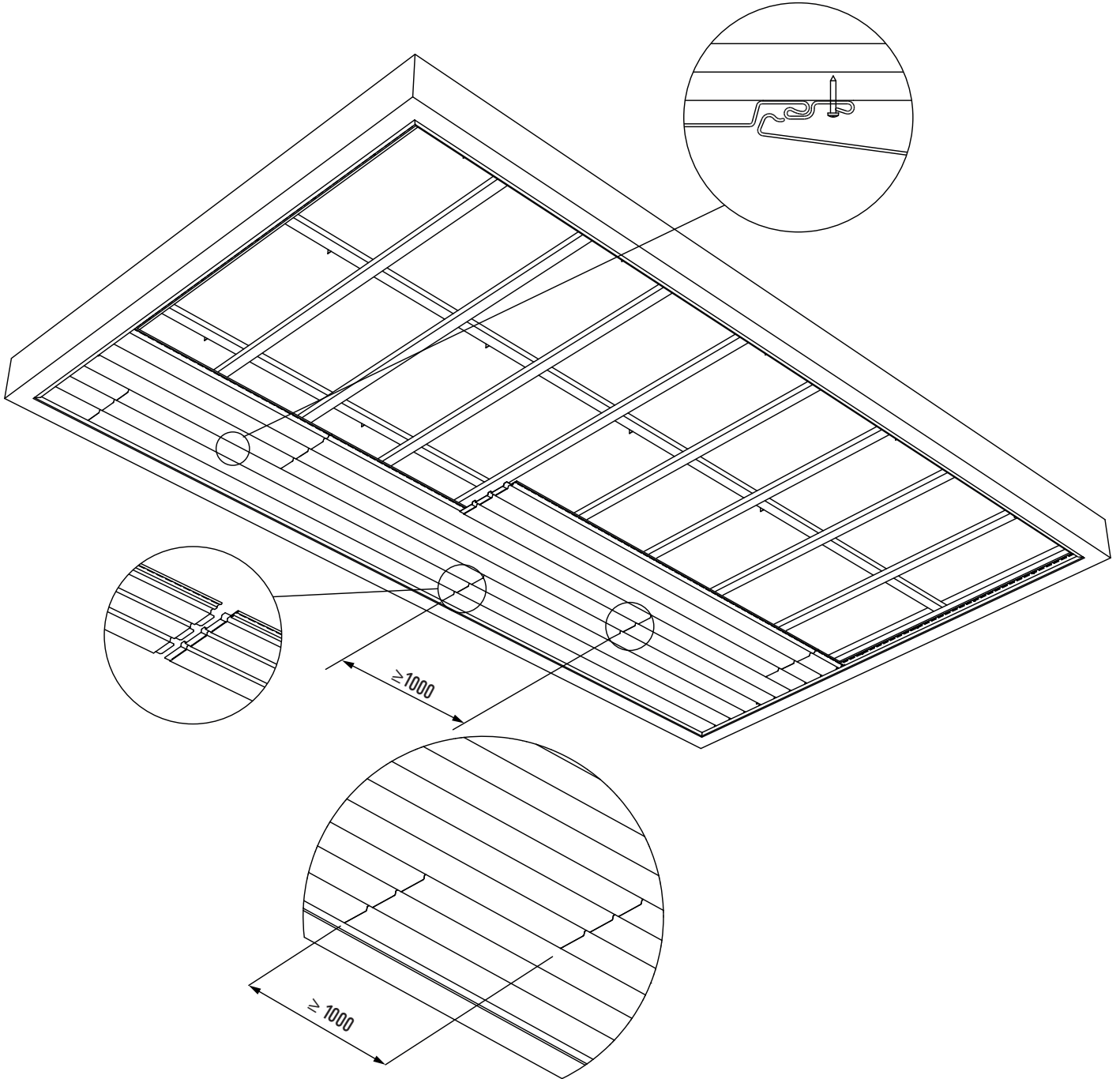
When installing the panels, never tighten the screw to the end, as this may limit the possibility of expansion/contraction.

There must be space left for linear expansion of the panels

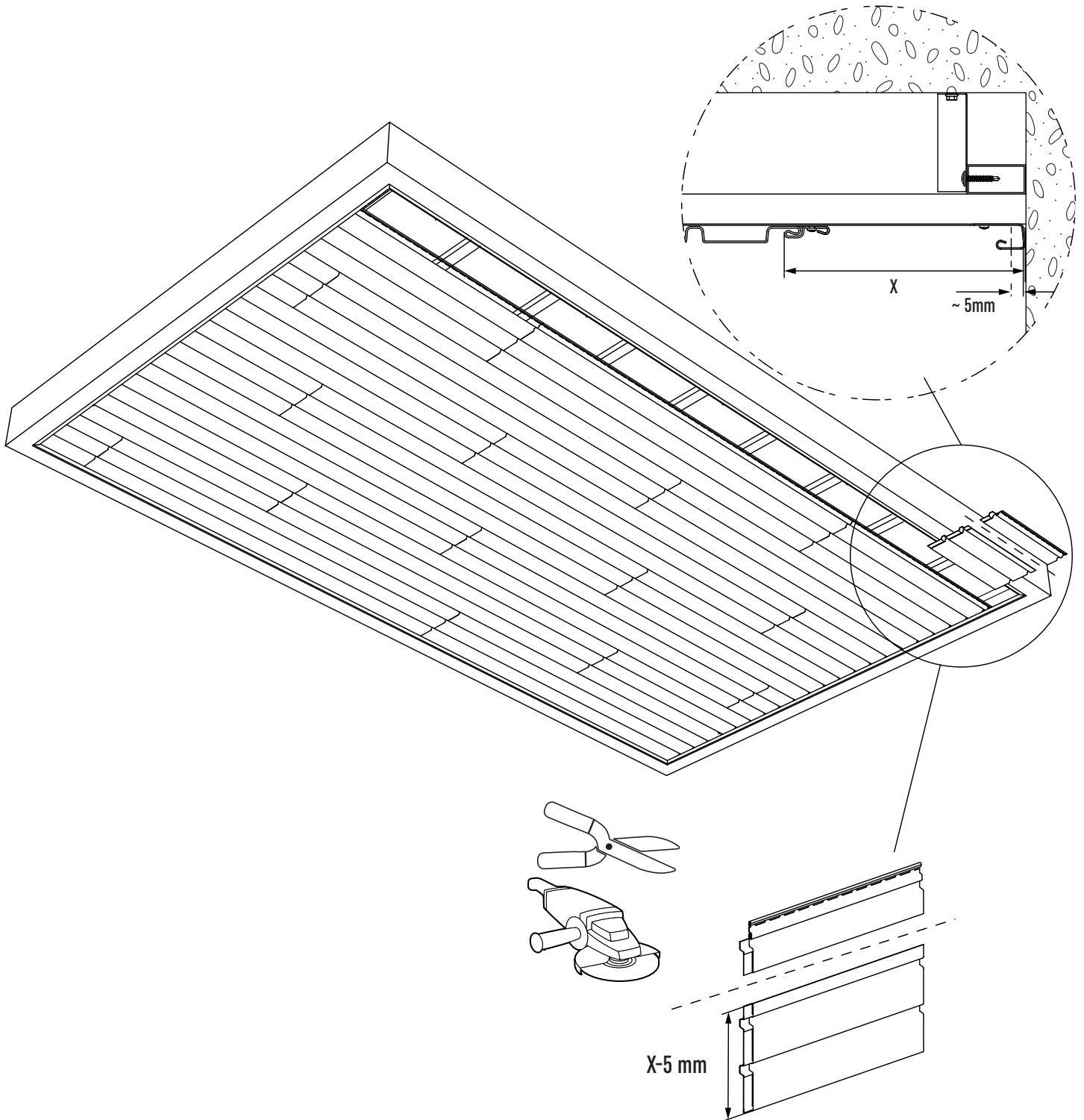
(we have to keep the dilatation gap at least 5mm from one side / 10mm from both sides).



1.4 Attach each subsequent panel to the edge of the previous one and screw it down.  
The offset of the interlock connections must be at least 1000mm

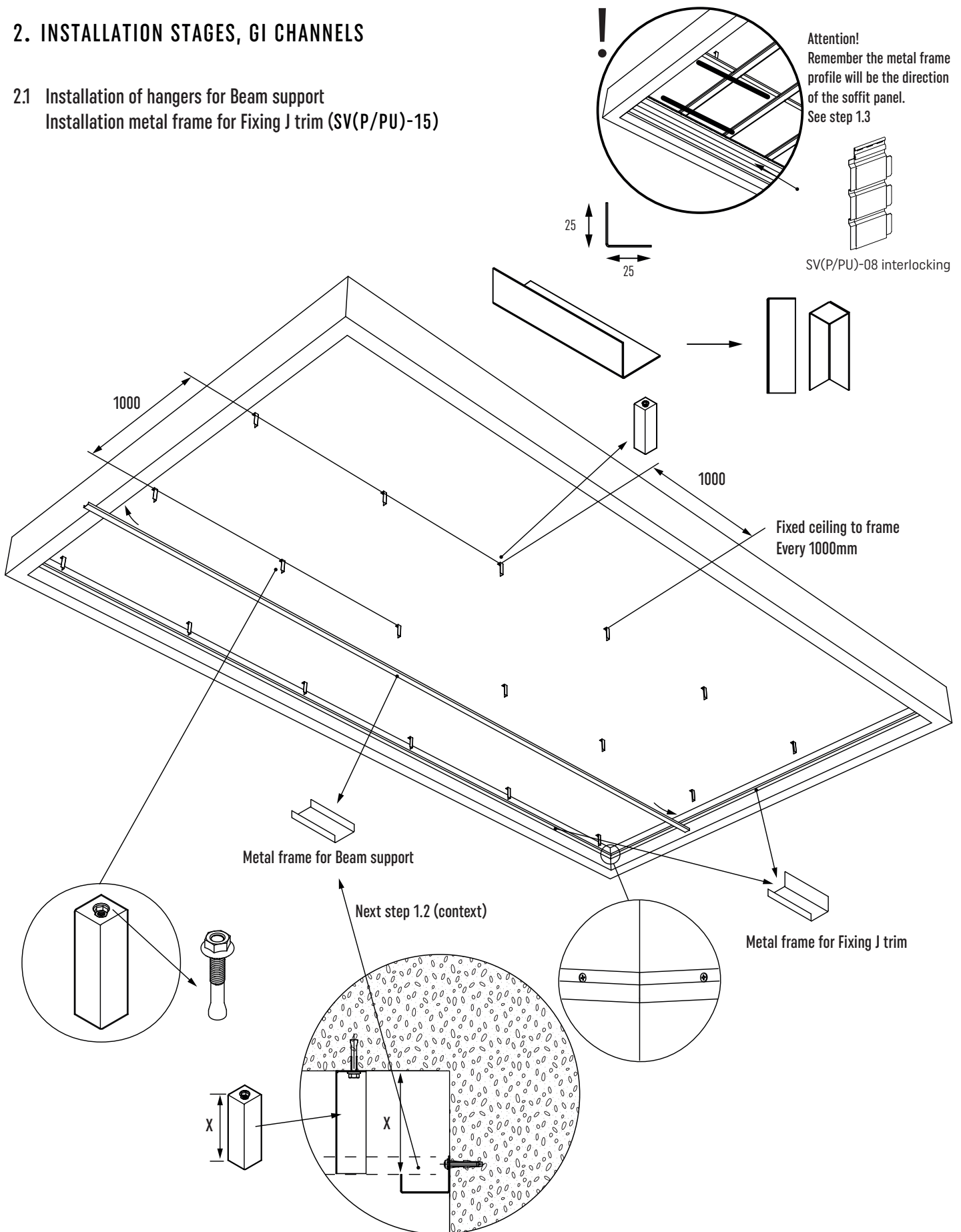


1.5 Attach each subsequent panel to the edge of the previous one and screw it down. Cut the last panel to the required width (minus 5mm), attach it to the previous panel and insert it into the trim.

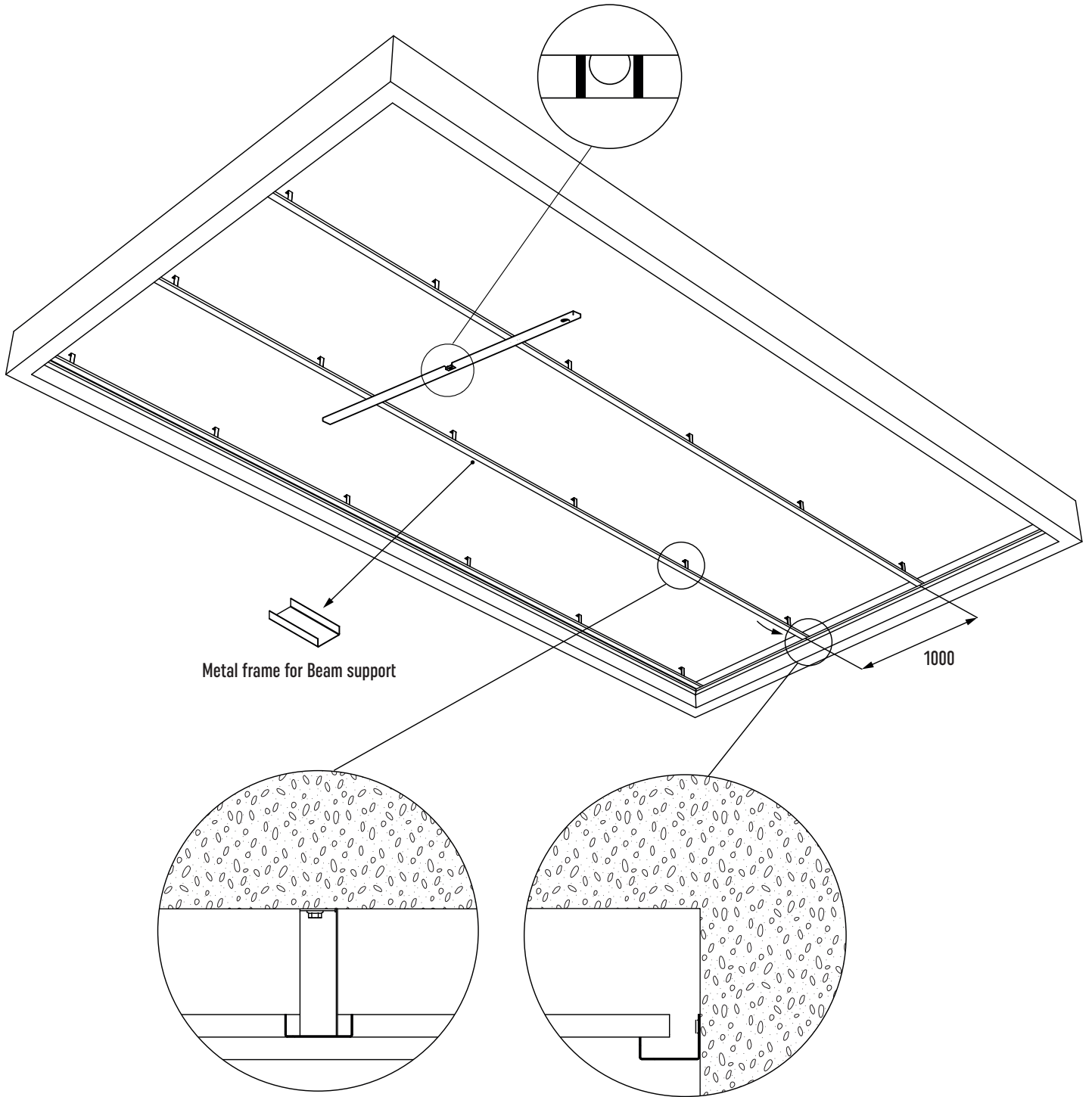


## 2. INSTALLATION STAGES, GI CHANNELS

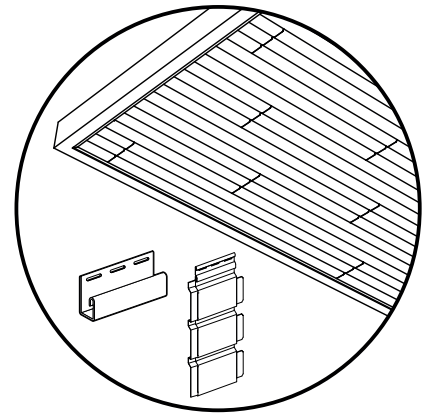
### 2.1 Installation of hangers for Beam support Installation metal frame for Fixing J trim (SV(P/PU)-15)



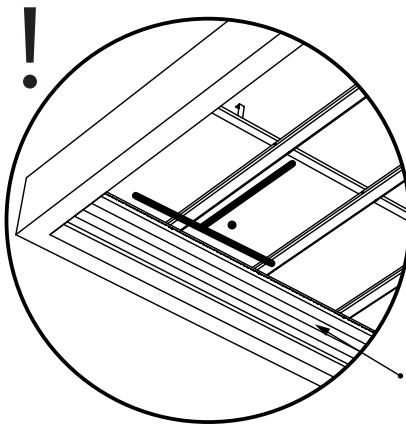
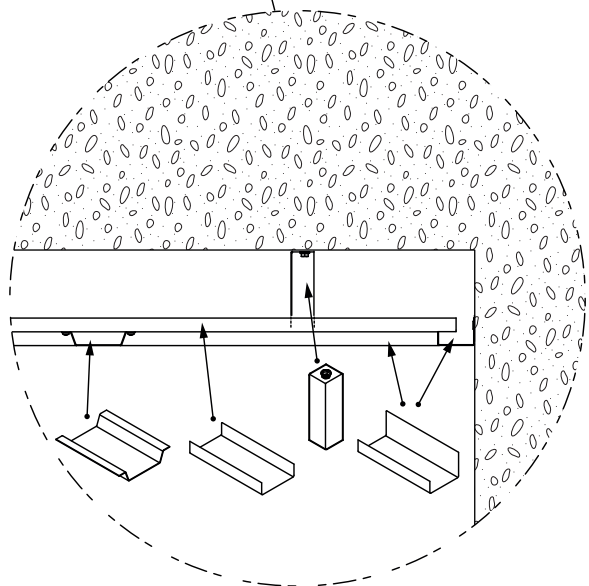
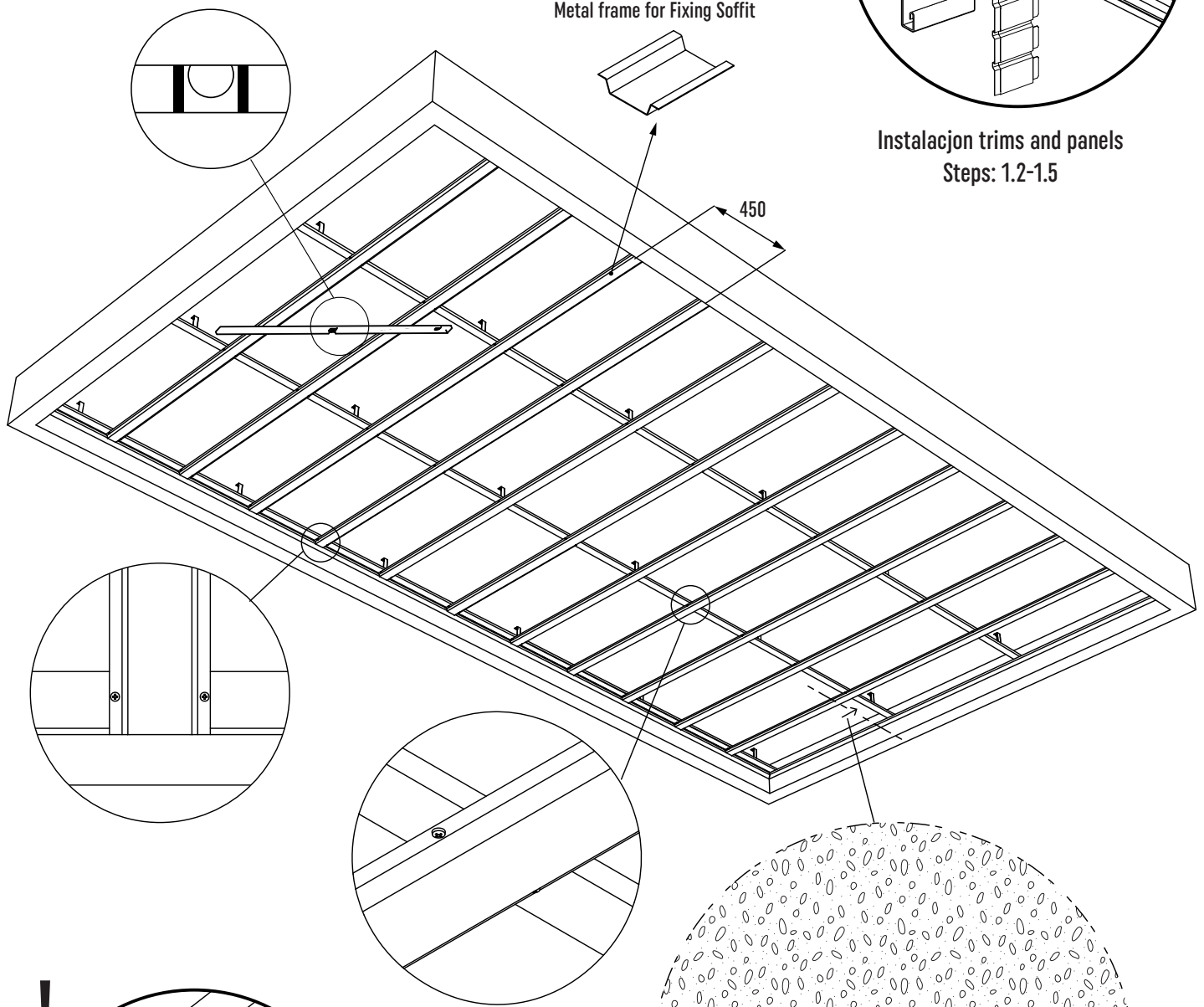
2.2 Installation metal frame for Beam support  
Fixed every 1000mm



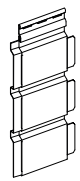
2.3 Installation metal frame for fixing Soffit ,fixed metal frame every 450mm.  
Next steps the same as 1.2-1.5



Instalacion trims and panels  
Steps: 1.2-1.5



**Attention!**  
The frame every 450 mm  
will be perpendicular to the  
soffit panels. See step 1.3



SV(P/PU)-08 interlocking