



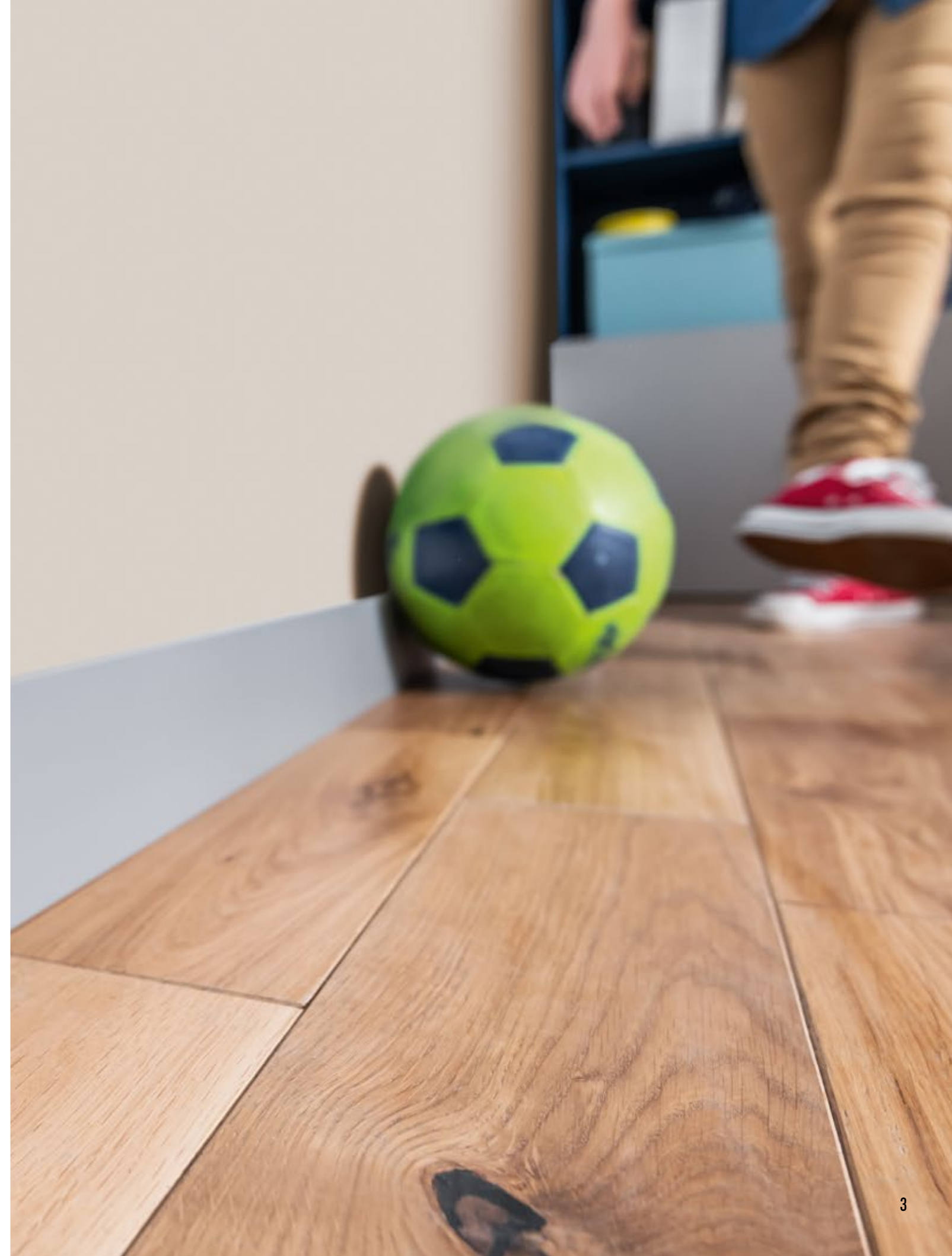
**ESPUMO
SKIRTING BOARDS**

F R E E D O M B E G I N S

at home

What makes a home friendly for its residents? At VOX, we believe that we feel best in spaces where we had a say in the design. These are the spaces that fully meet our needs and provide a sense of freedom. There's no need to follow predefined trends to create a beautiful interior. It's enough to be mindful of what truly serves us.

VOX solutions are the result of observing how we live today and how we want to live. Our everyday goal is to inspire, advise, and provide comprehensive, tailored interior solutions: from floors, doors, decorative walls, and furniture, to façade cladding.





ESPUMO SKIRTING BOARD

The Espumo collection features modern skirting boards, with colours that complement the character of any space. White skirting boards blend perfectly with white walls, while grey and black ones suit bolder arrangements. A new addition is the skirting board in the colour of cashmere, a subtle shade that combines grey with beige, perfectly fitting into current colour trends used in other interior finishing elements.



ESPUMO DIFFERENT FROM OTHERS

LIGHT-WEIGHT AND STRONG

The Espumo skirting board is made of light foamed inner layer and hard external layer which makes it resistant to impact or water.

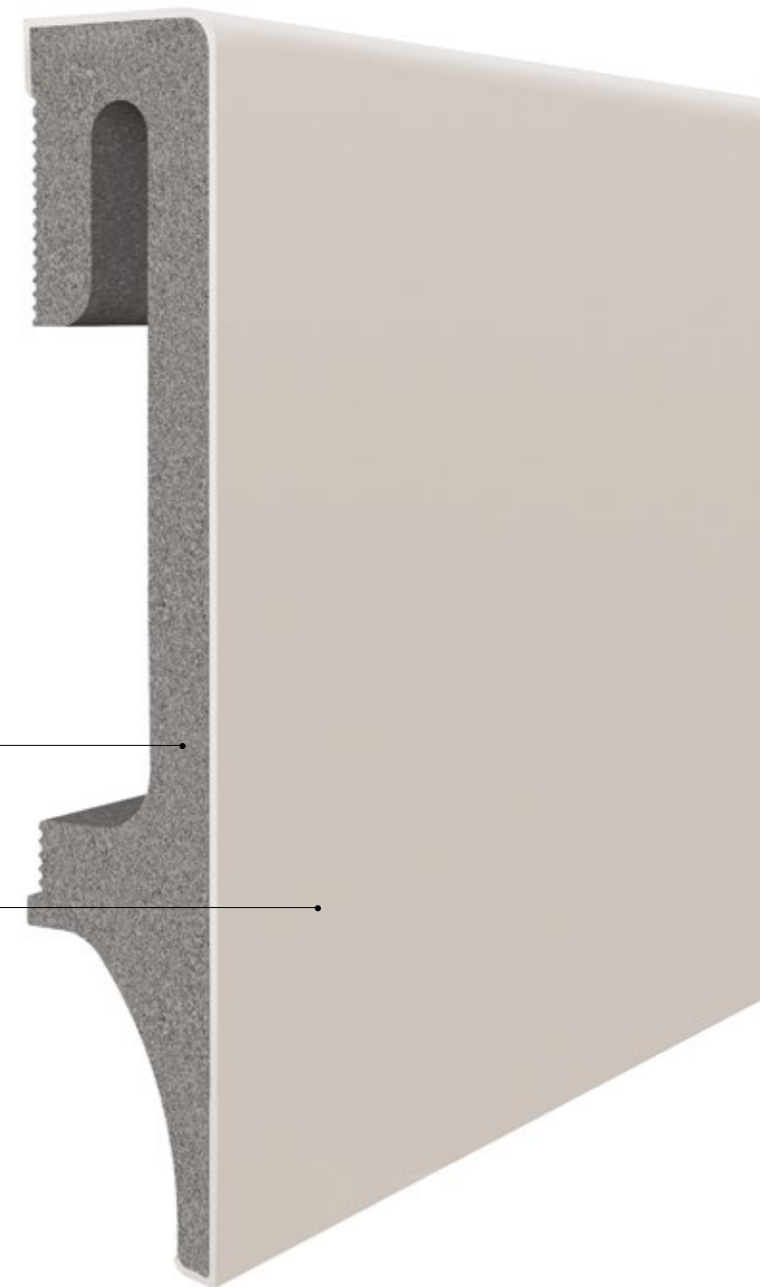
DEDICATED FINISHING ACCESSORIES

All Espumo models may be finished with plastic end caps that match each shape and colour in the Espumo collection.

LIGHT FOAMED LAYER

HARD EXTERNAL LAYER PROVIDING DURABILITY

The material from which Espumo skirting boards are made does not soak up water from either side, and as a result it does not distort. It does not soak up any moisture from the air or the moisture emitted from the walls or floors. Therefore, it will be perfect for installation in new apartments, in which the walls give back moisture for some time after they are handed over for use. Espumo skirtings are suitable for finishing ceramic tiles and can be used in the bathroom or hall.



GLUED TO THE WALL



WATER RESISTANT



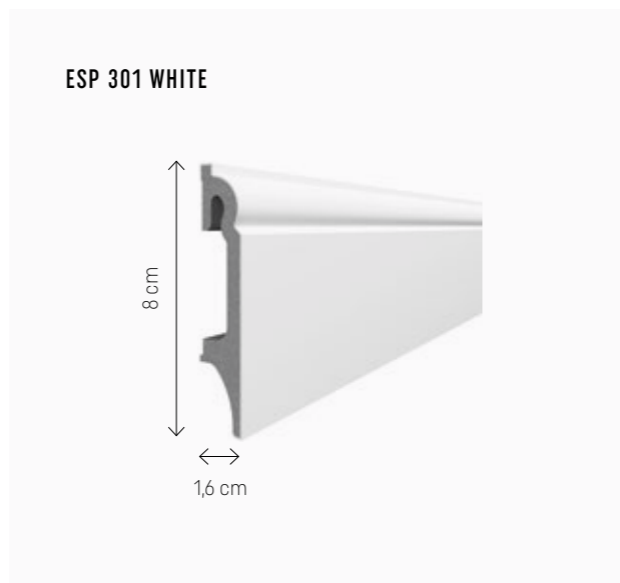
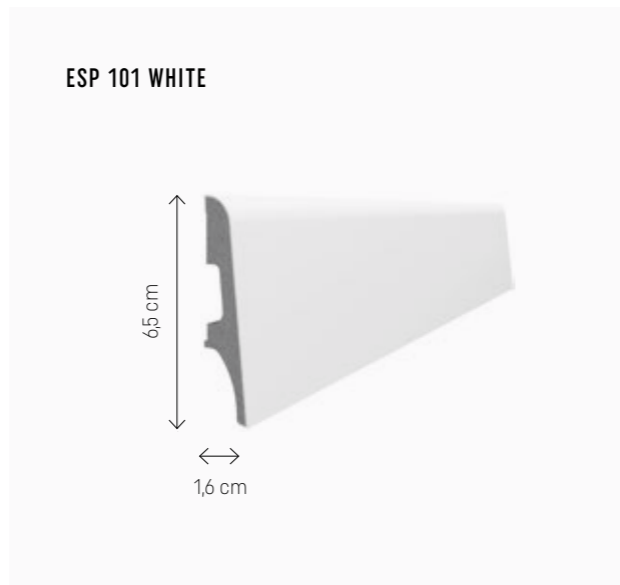
FINISHING
ACCESSORIES

ESPUMO COLOURS

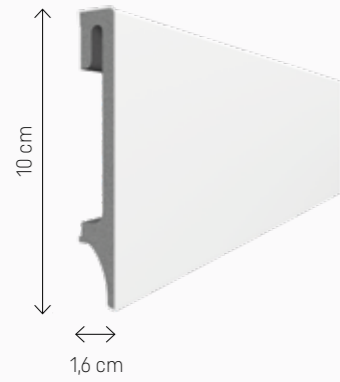
Length: 240 cm

HARMONY OR CONTRAST - ADJUST THE SKIRTING BOARDS TO THE WALLS

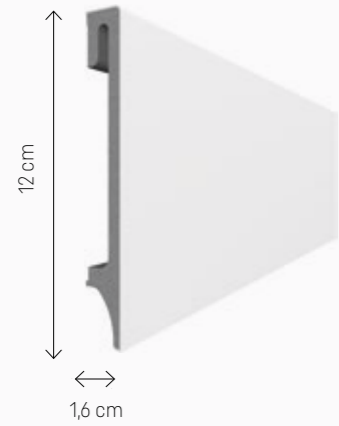
What skirting boards should you choose to match the colour of the walls? We will achieve harmony when we leave both of these elements in the same or a similar shade. The bright models of skirting boards combined with a white or light beige wall will work great in small rooms. They will create an impression of bigger space, optically lengthening it.



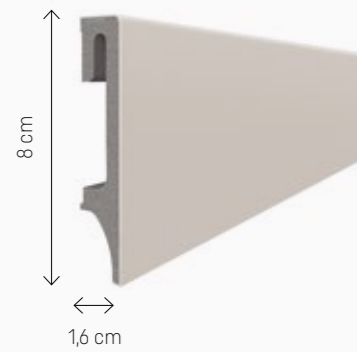
ESP 401 WHITE



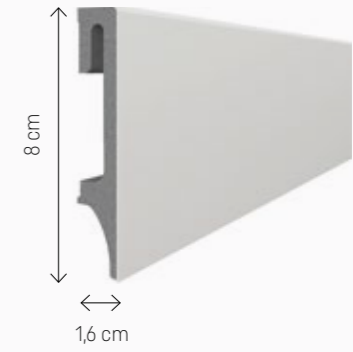
ESP 501 WHITE



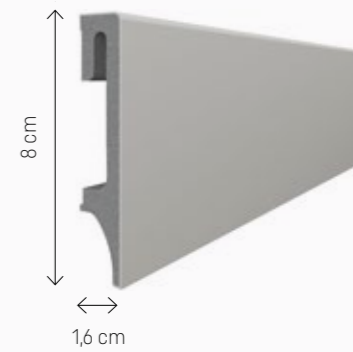
ESP 207 CASHMERE



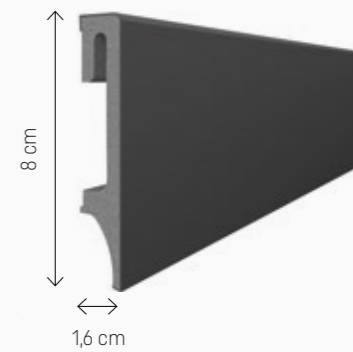
ESP 202 LIGHT GREY



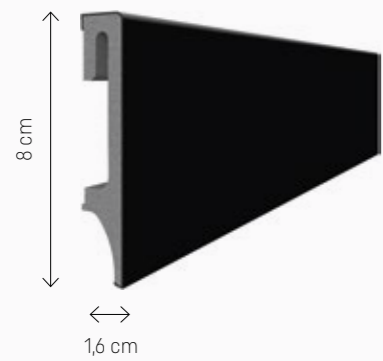
ESP 203 DARK GREY



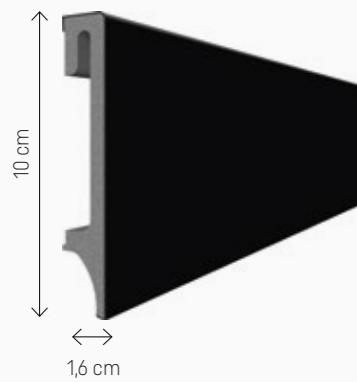
ESP 205 ANTHRACITE



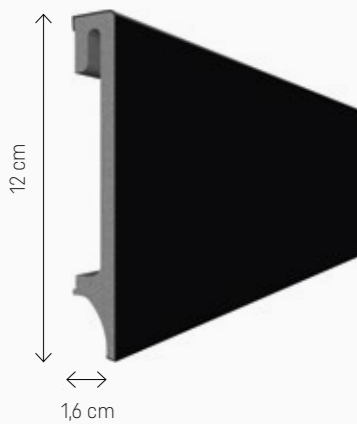
ESP 206 BLACK



ESP 406 BLACK



ESP 506 BLACK



DESIGN YOUR INTERIOR WITH VOXBOX

VOXBOX is an intuitive interior design tool that allows you to precisely plan a space using Idevo SPC wall panels. With this program, you can easily:

- 1 Visualize your design ideas by selecting Idevo for your chosen room. Test various layouts and color combinations to create a harmonious, cohesive space.
- 2 Adjust details and see how different elements interact within the virtual model before starting the actual project.

VOXBOX not only simplifies interior arrangement but also allows you to experiment with different styles, making it easier to choose the right solutions.



SCAN THE QR CODE AND
LEARN MORE ABOUT VOXBOX

The manufacturer reserves the right to make changes to the colours, dimensions, and functions of the presented products. This catalogue is published for reference purposes only. The catalogue presents sample designs from the product range. Some of the items presented in the layout photos are only used as decoration and are not for sale. Copying and distribution of any materials contained in the catalogue without the written consent of the publisher is prohibited. Colours presented in the catalogue may differ from reality. All data contained in the catalogue are valid for the month in which the catalogue goes to print – March 2025.

