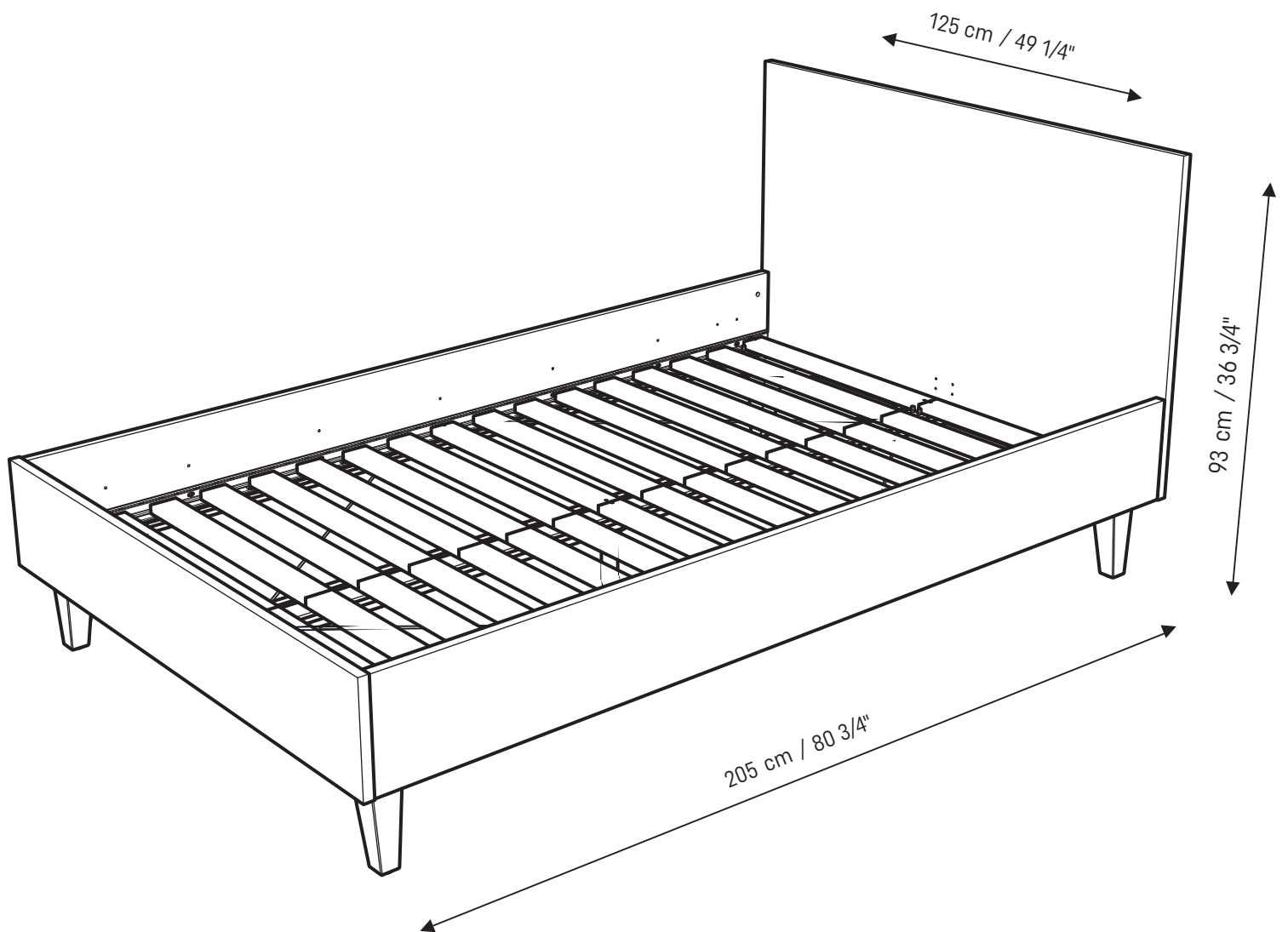


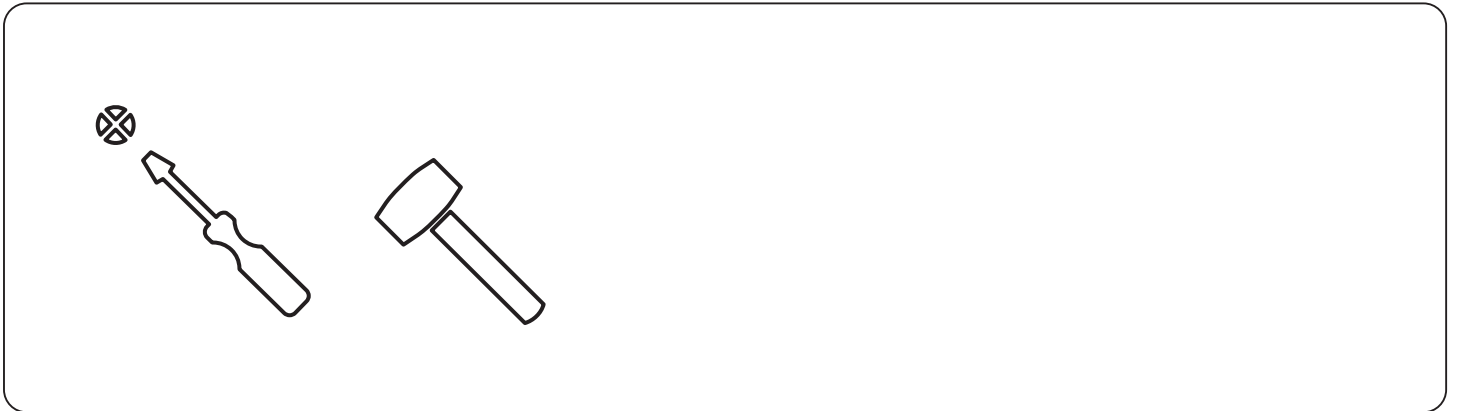
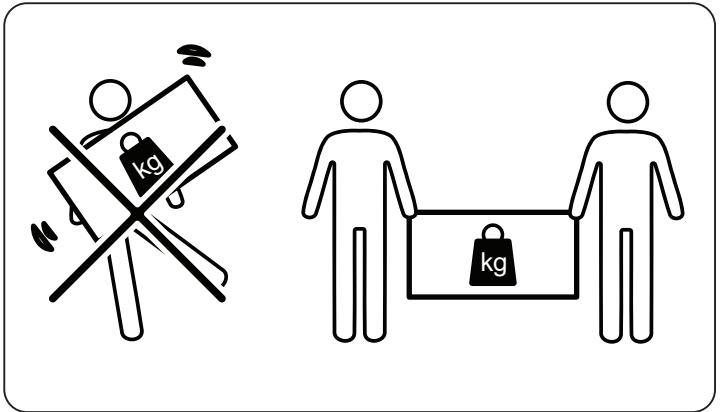
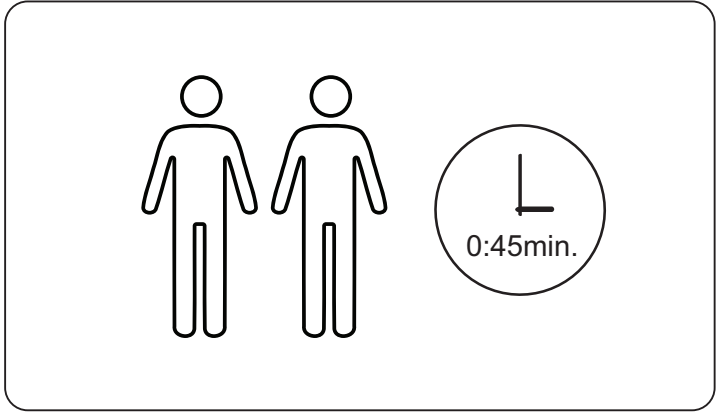
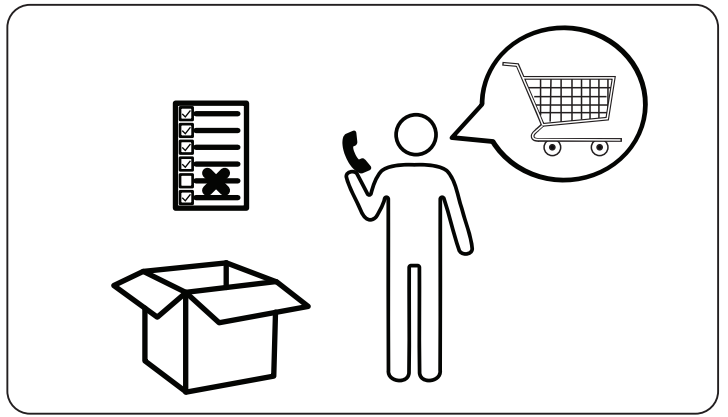
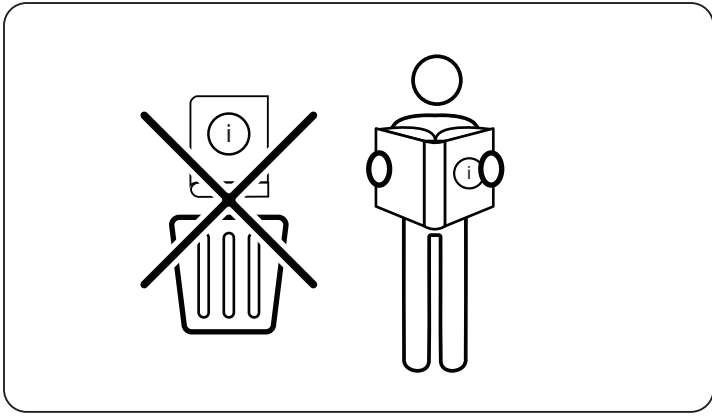
CONCEPT

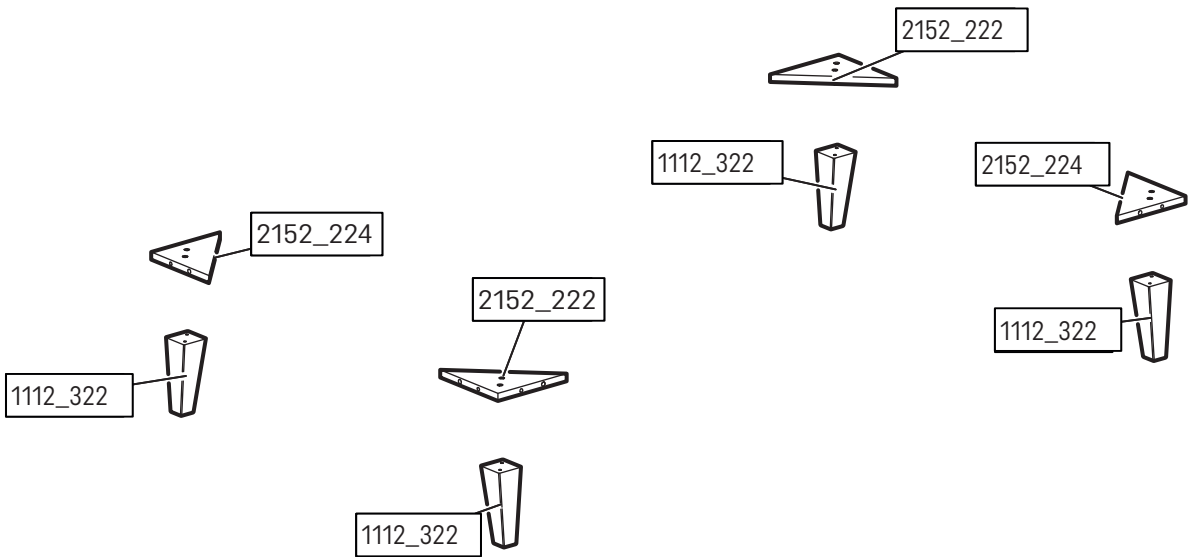
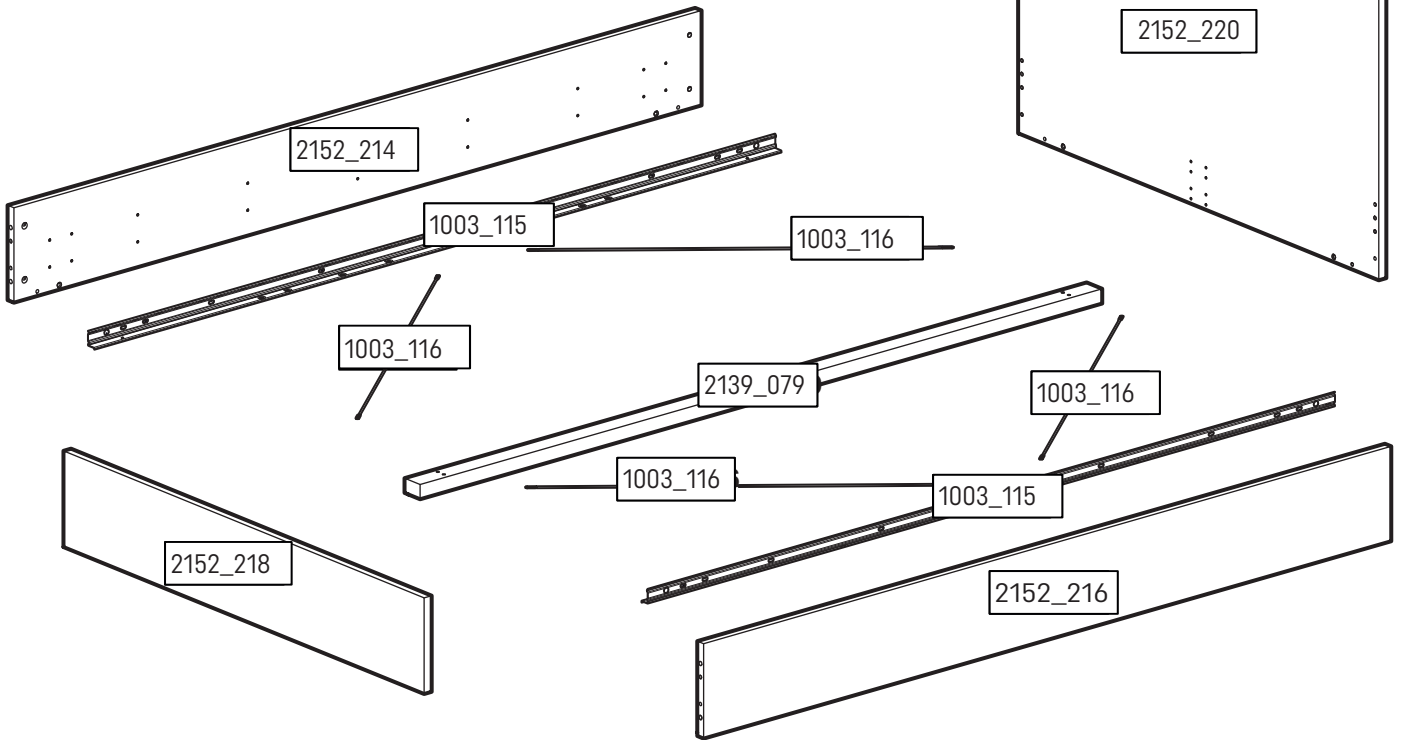
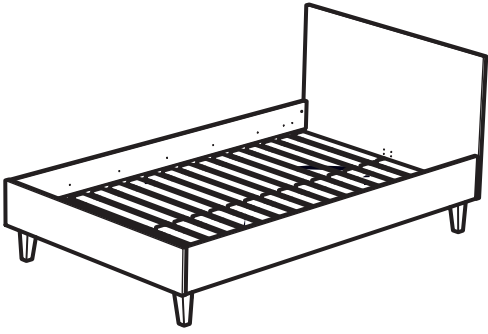
4015111_001






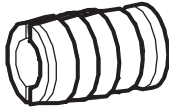
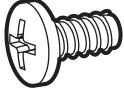

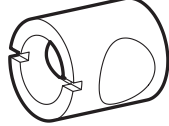
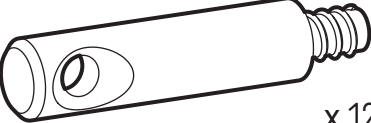

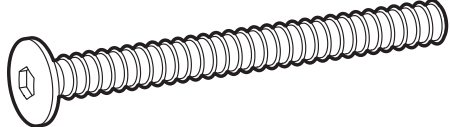

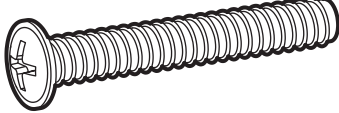


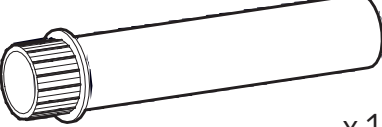

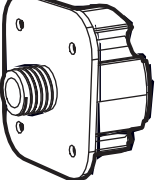
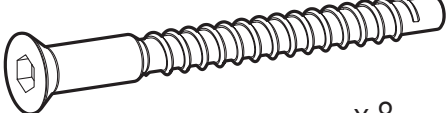
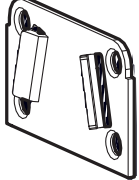
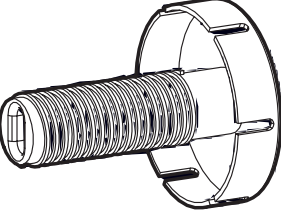
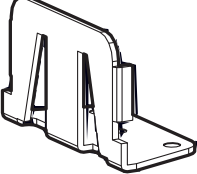
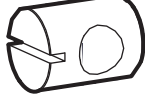
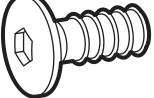
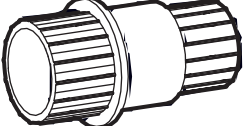


PL • vox.pl
EU • voxfurniture.com
US • voelkelcorp.com

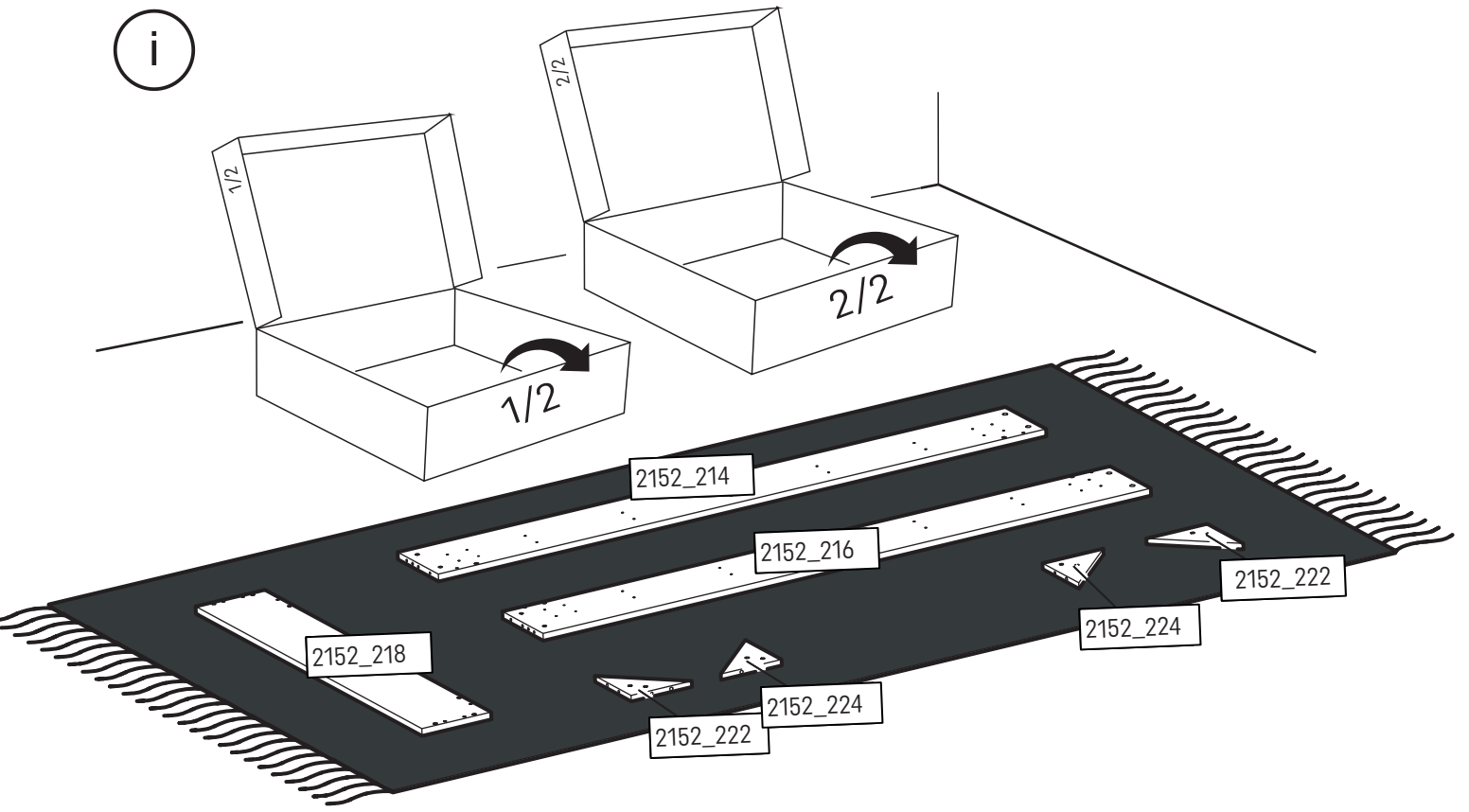
Meble VOX sp. z o.o. sp. k.
ul. Gdyńska 143
62-004 Czerwonak



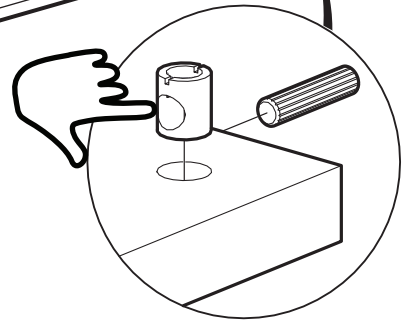
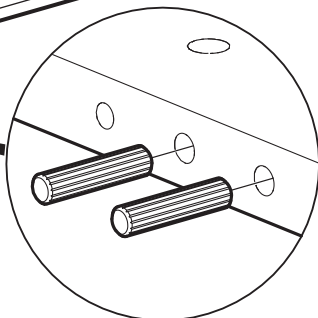
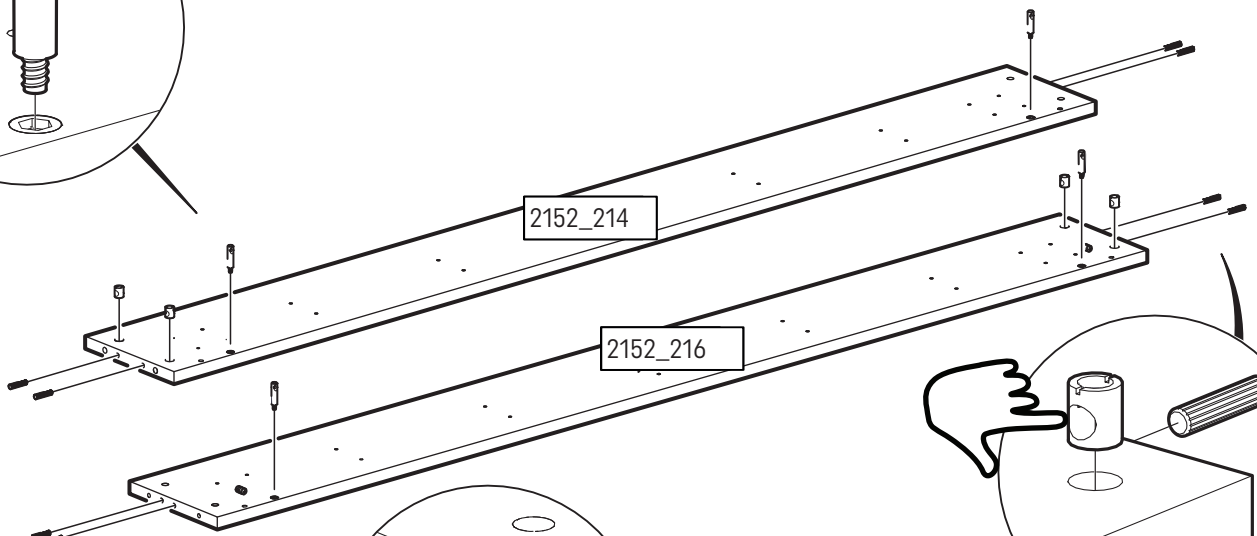
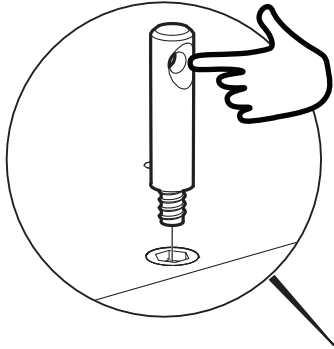
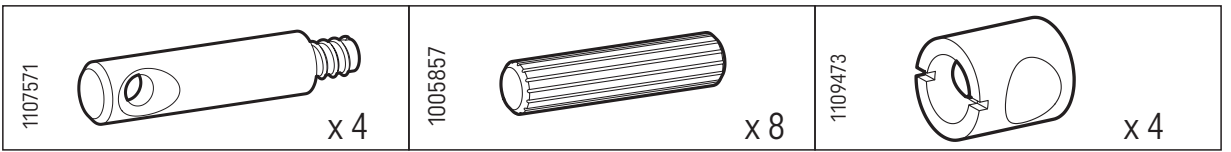


1111440  x 1	1000806  x 1	1005490  x 4
1005714  x 18	1005775  x 4	1005724  x 8
1006146  x 4	1109474  x 12	1109473  x 12
1107571  x 12	1005857  x 16	1006025  x 4
1005713  x 12	1005516  x 4	1110244  x 4
1005787  x 4	1104670  x 1	1006024  x 2
1104666  x 1	1005962  x 8	1001719  x 2
1104668  x 1	1001719  x 2	1005790  x 4
1006055  x 2	1104667  x 1	

i

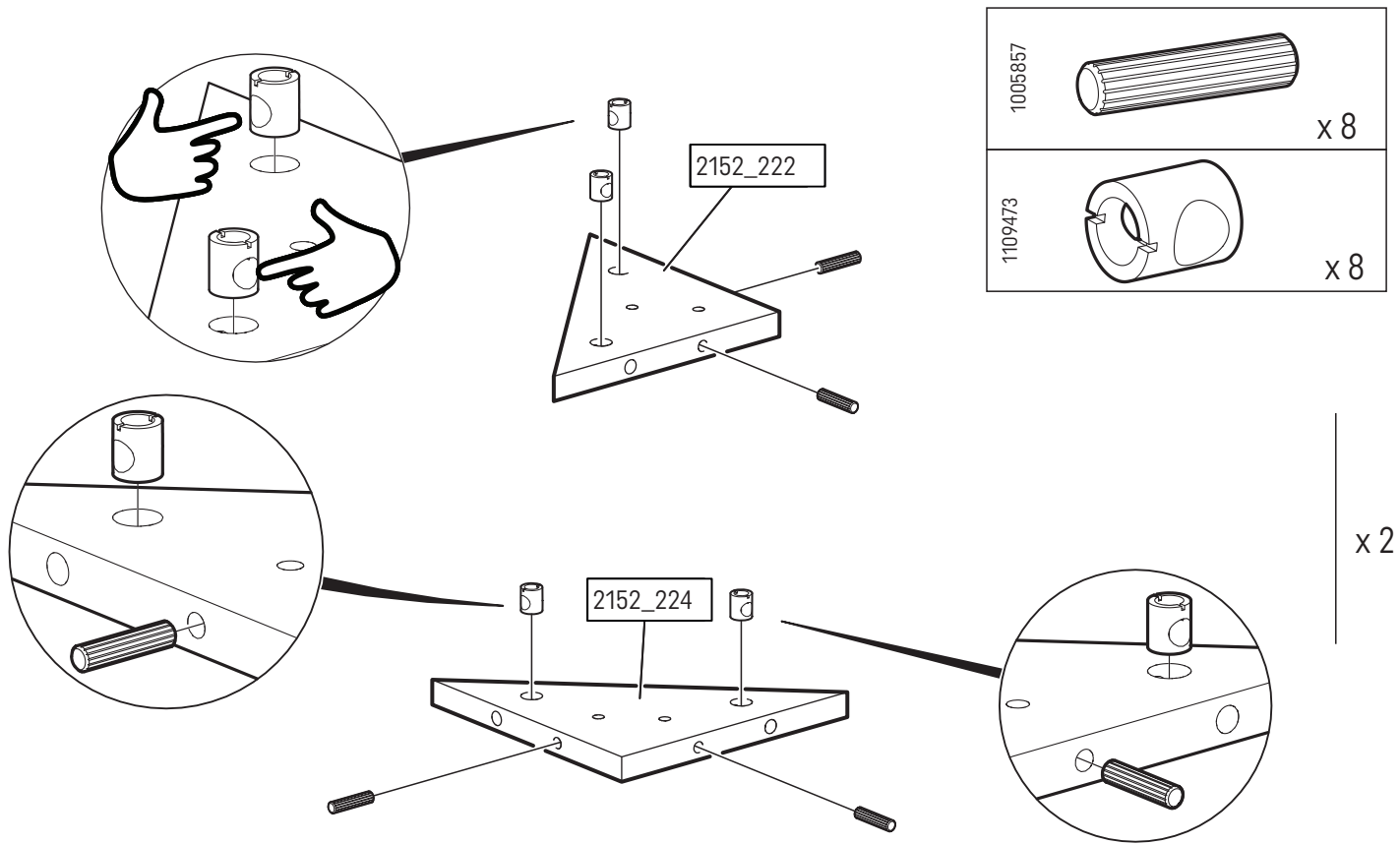


1

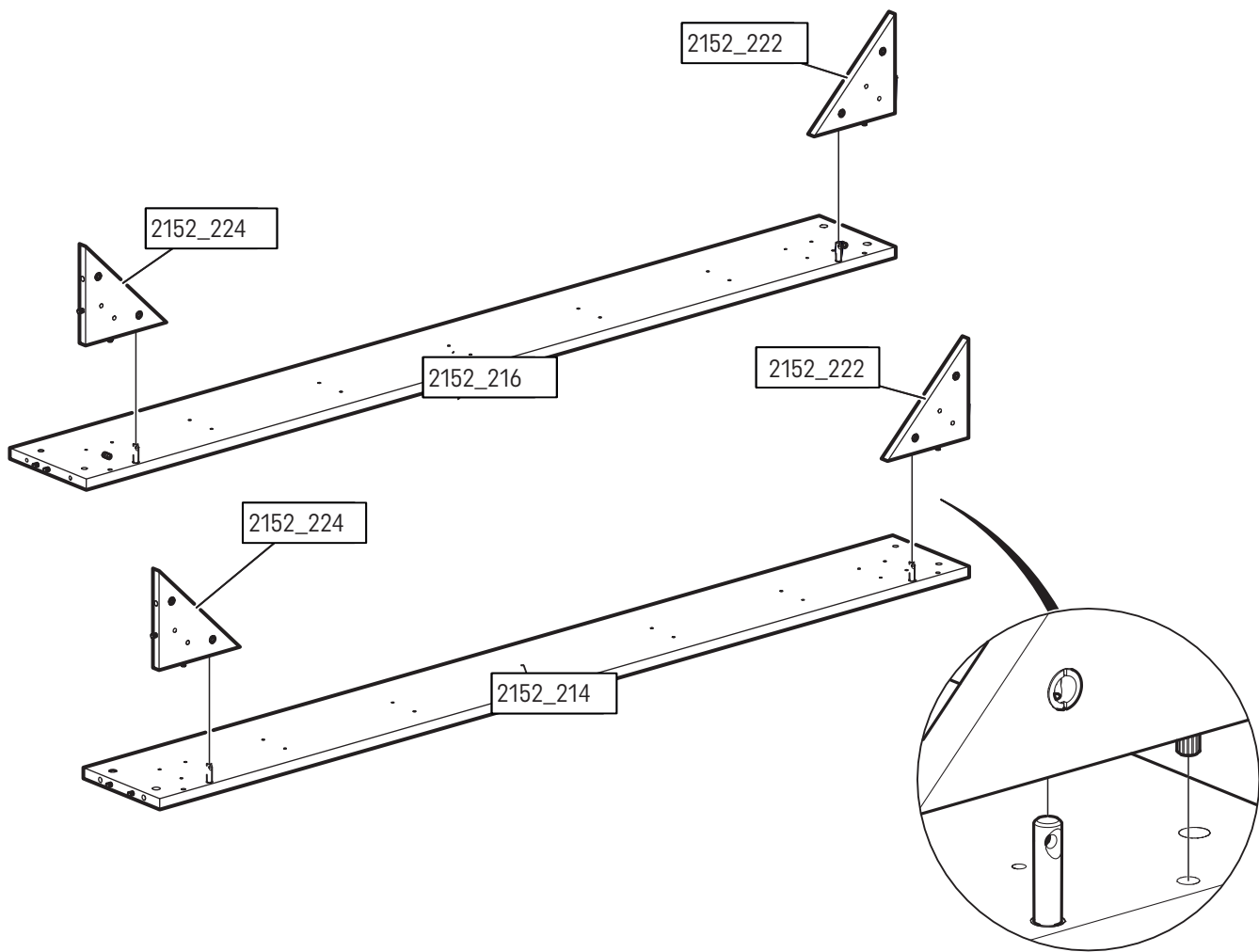


1

2

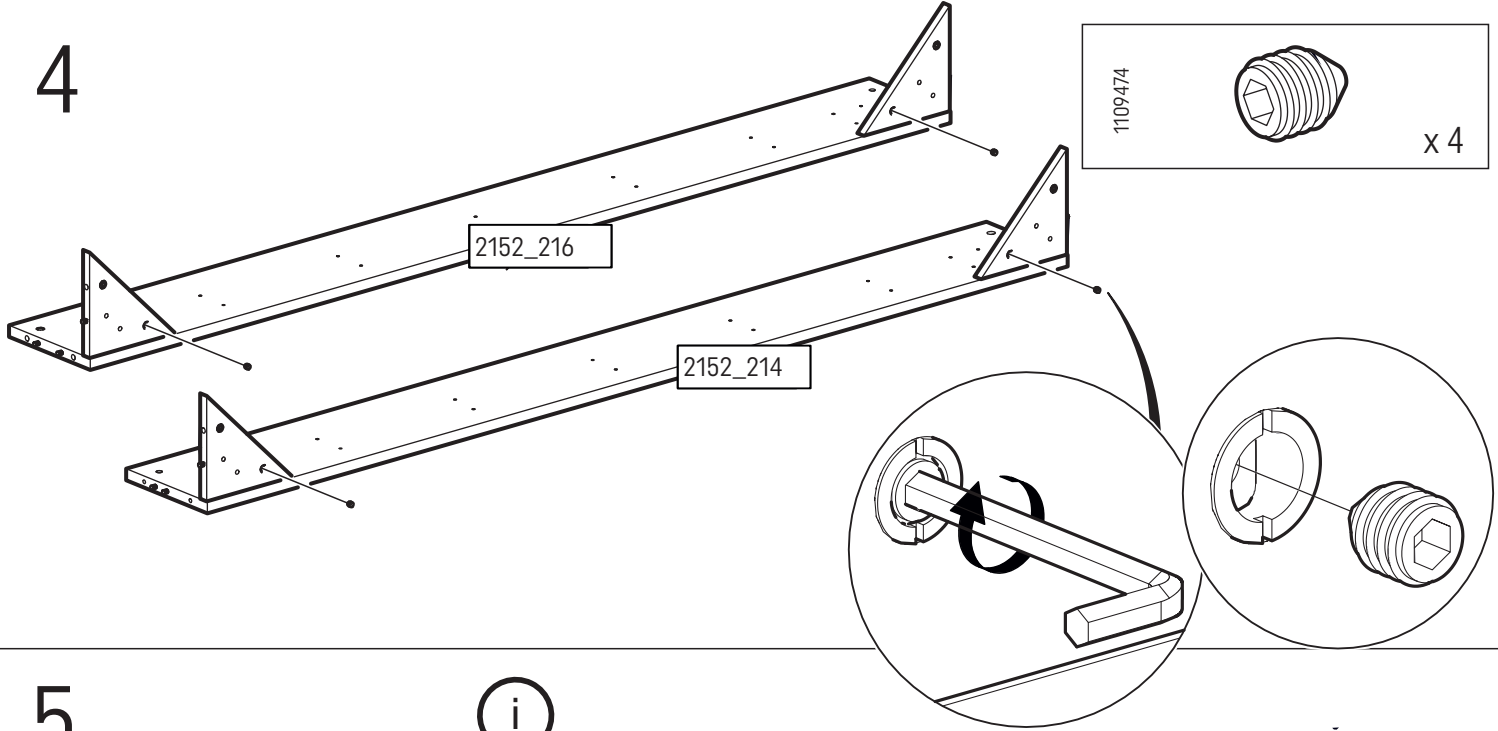


3

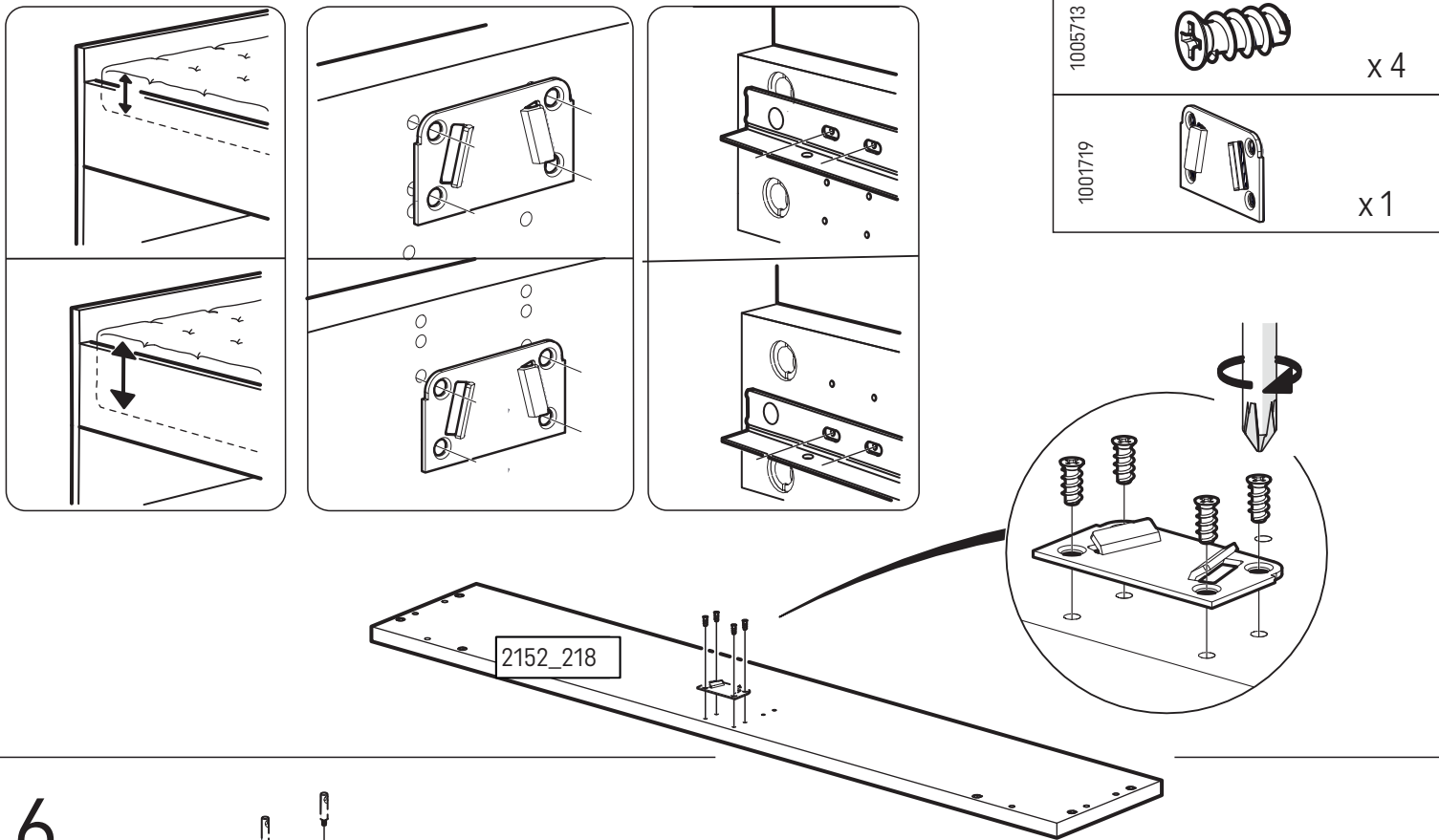


2

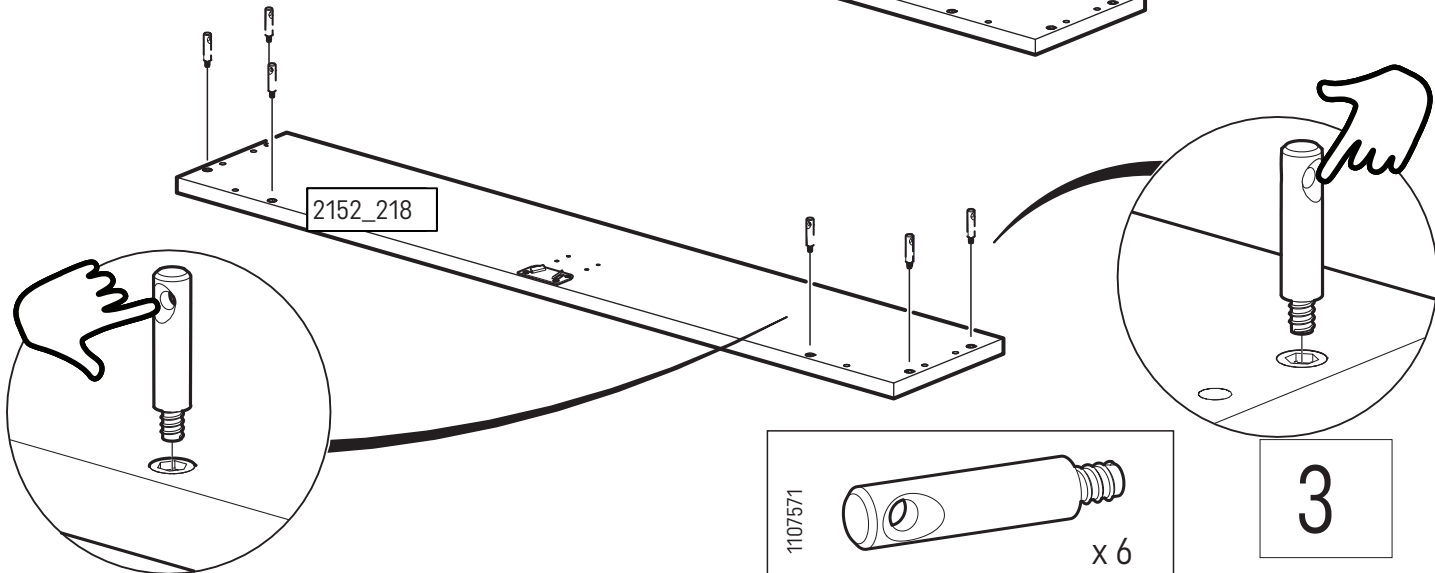
4



5

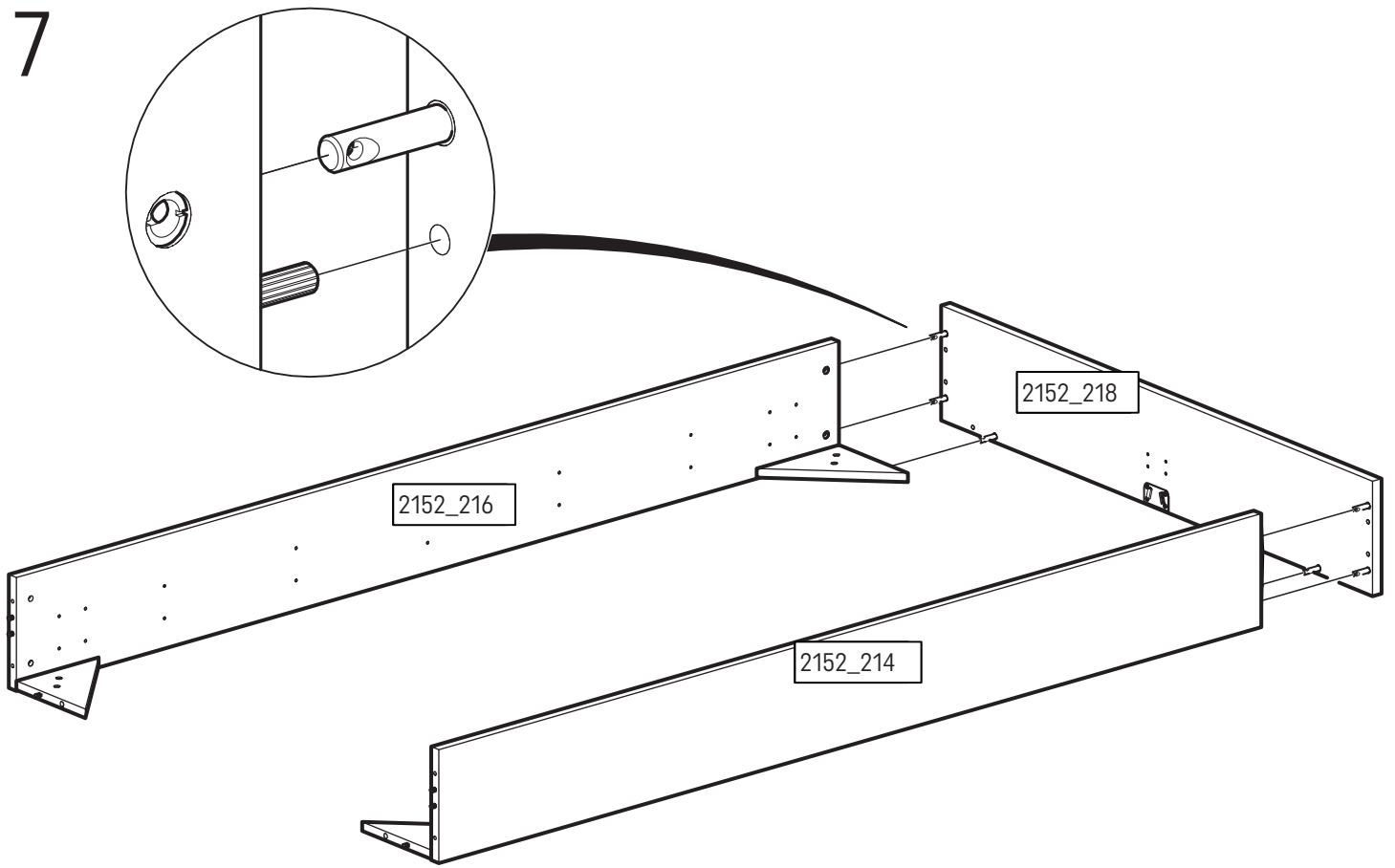


6

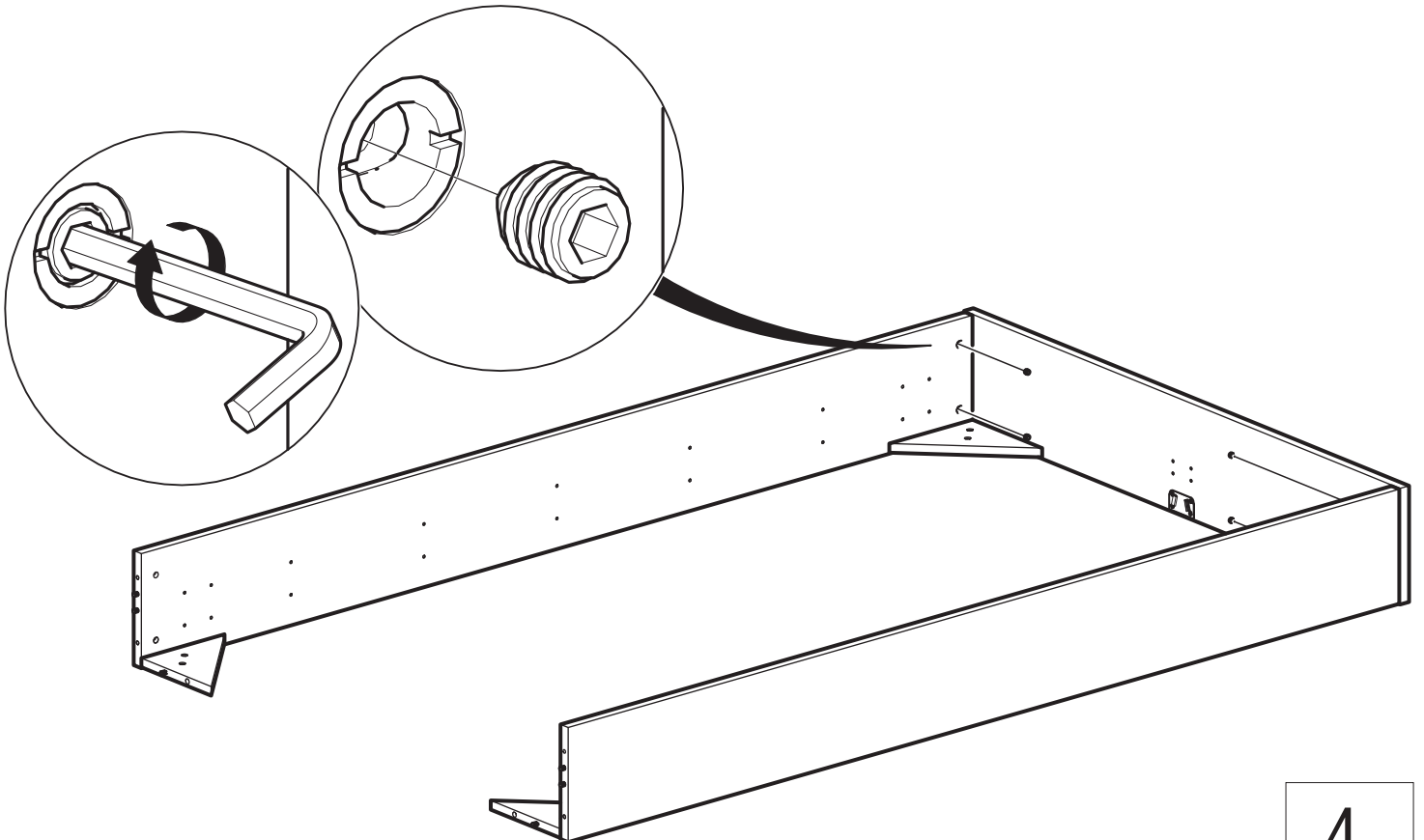
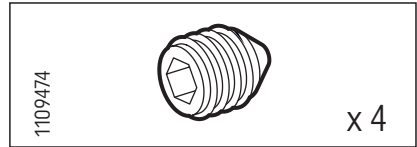


3

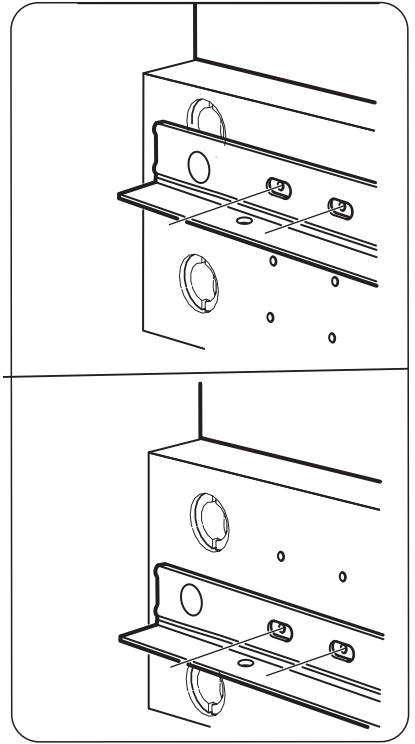
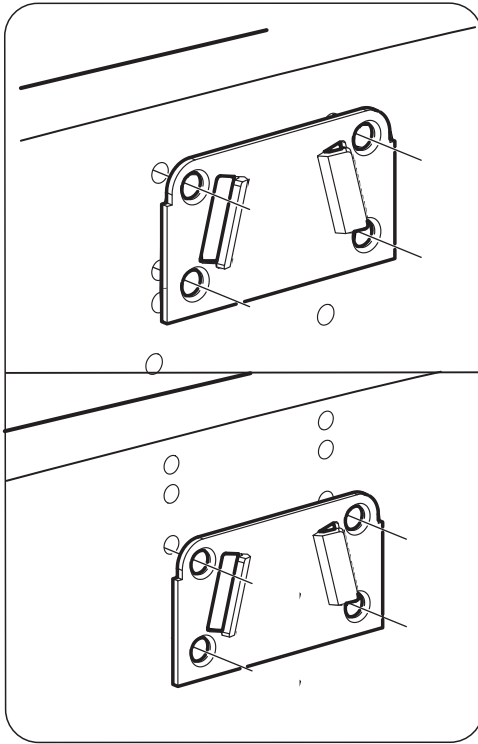
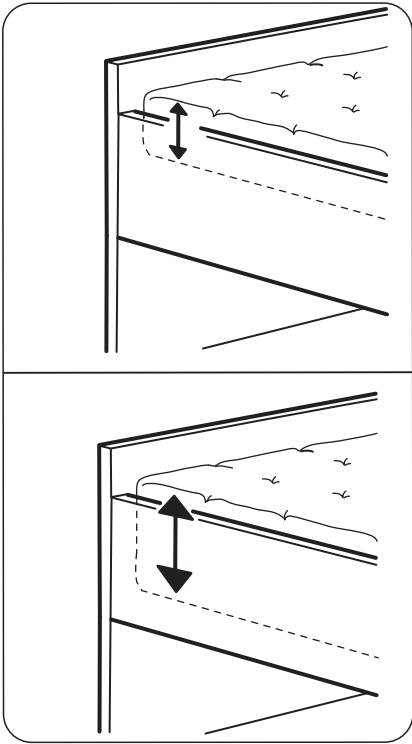
7




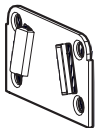
8

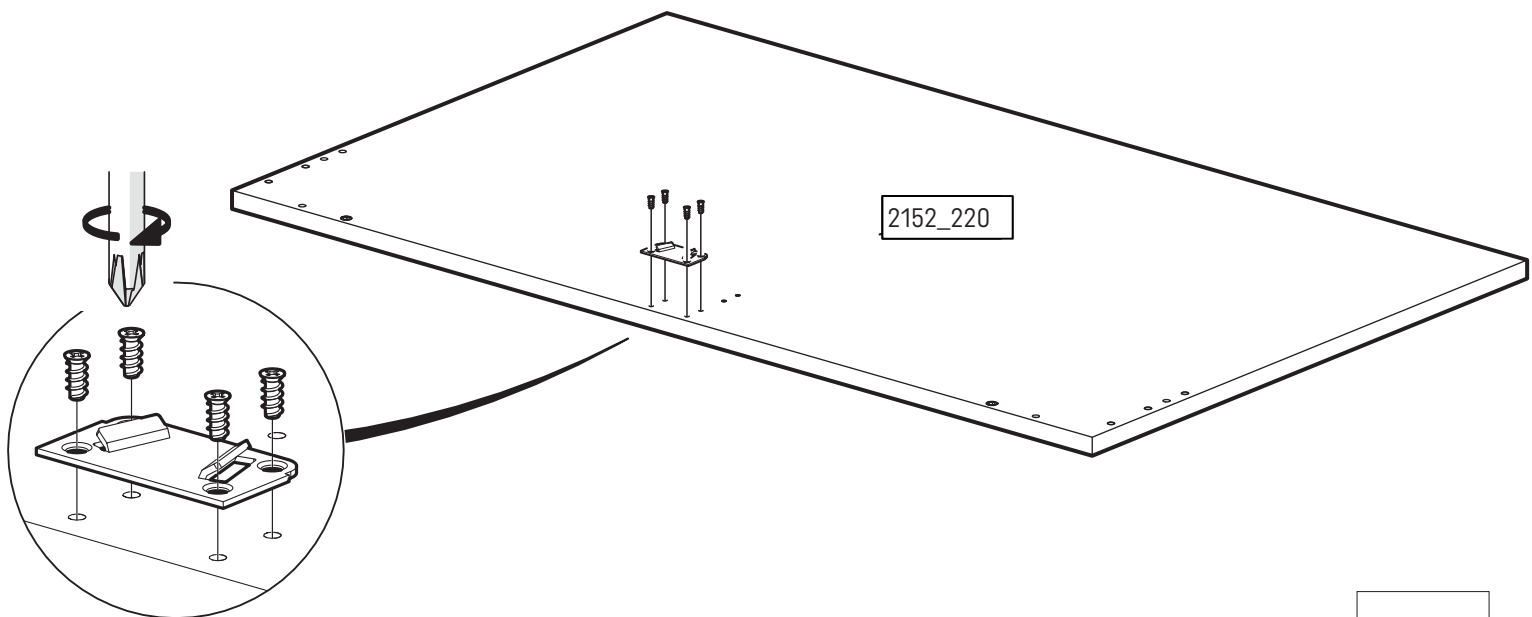


4



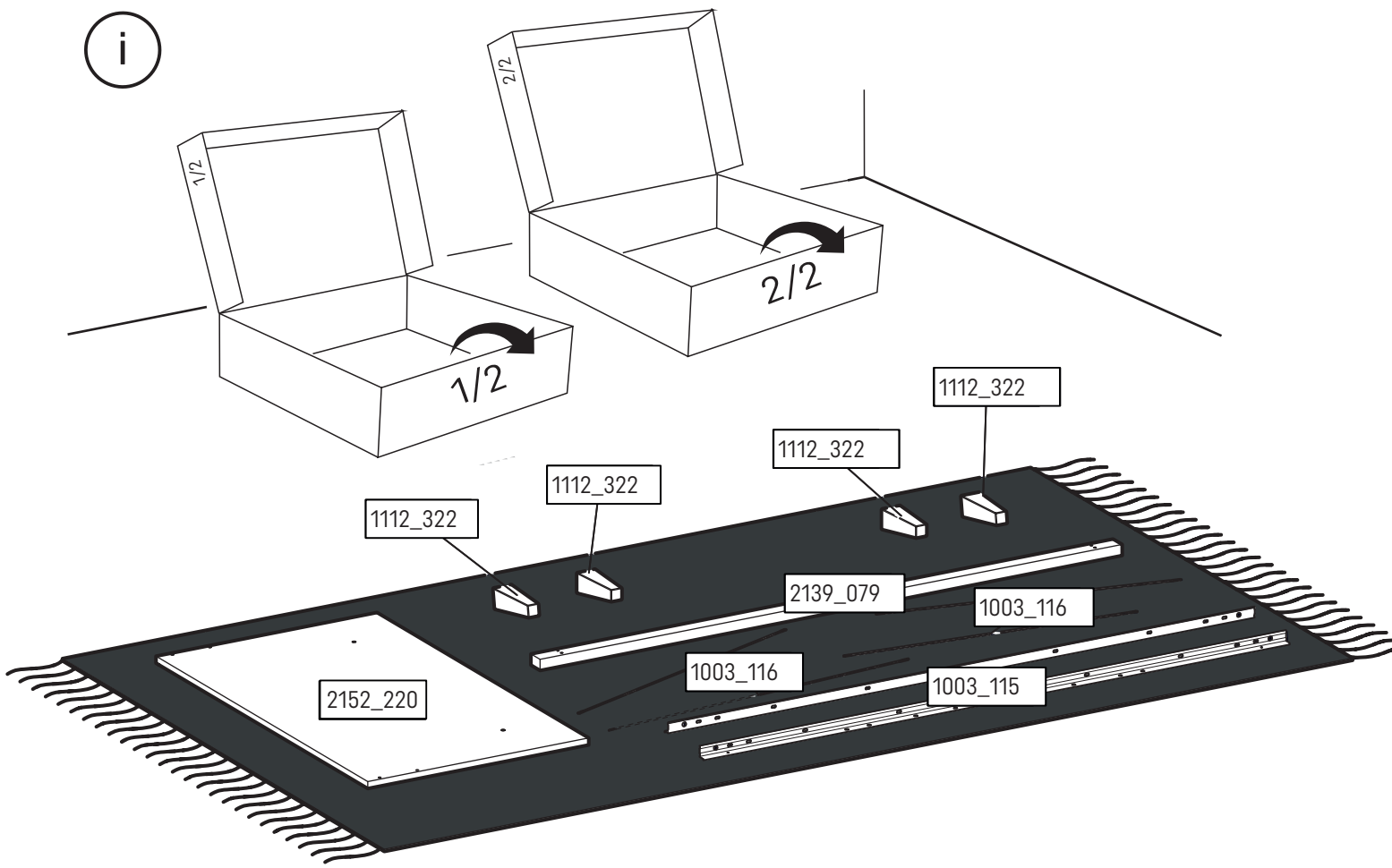
9

1005713		x 4	1001719		x 1
---------	---	-----	---------	---	-----

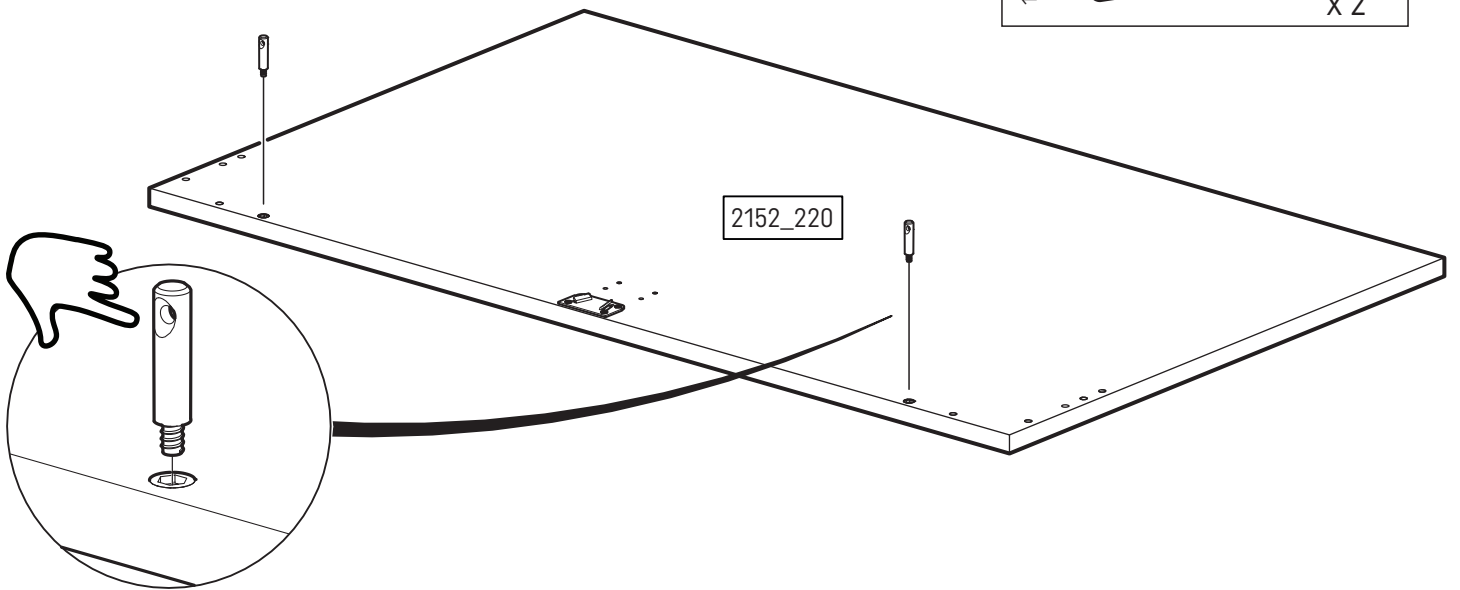
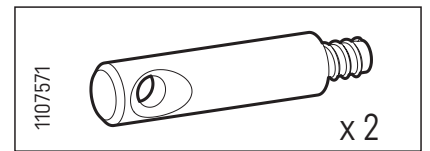


5

i

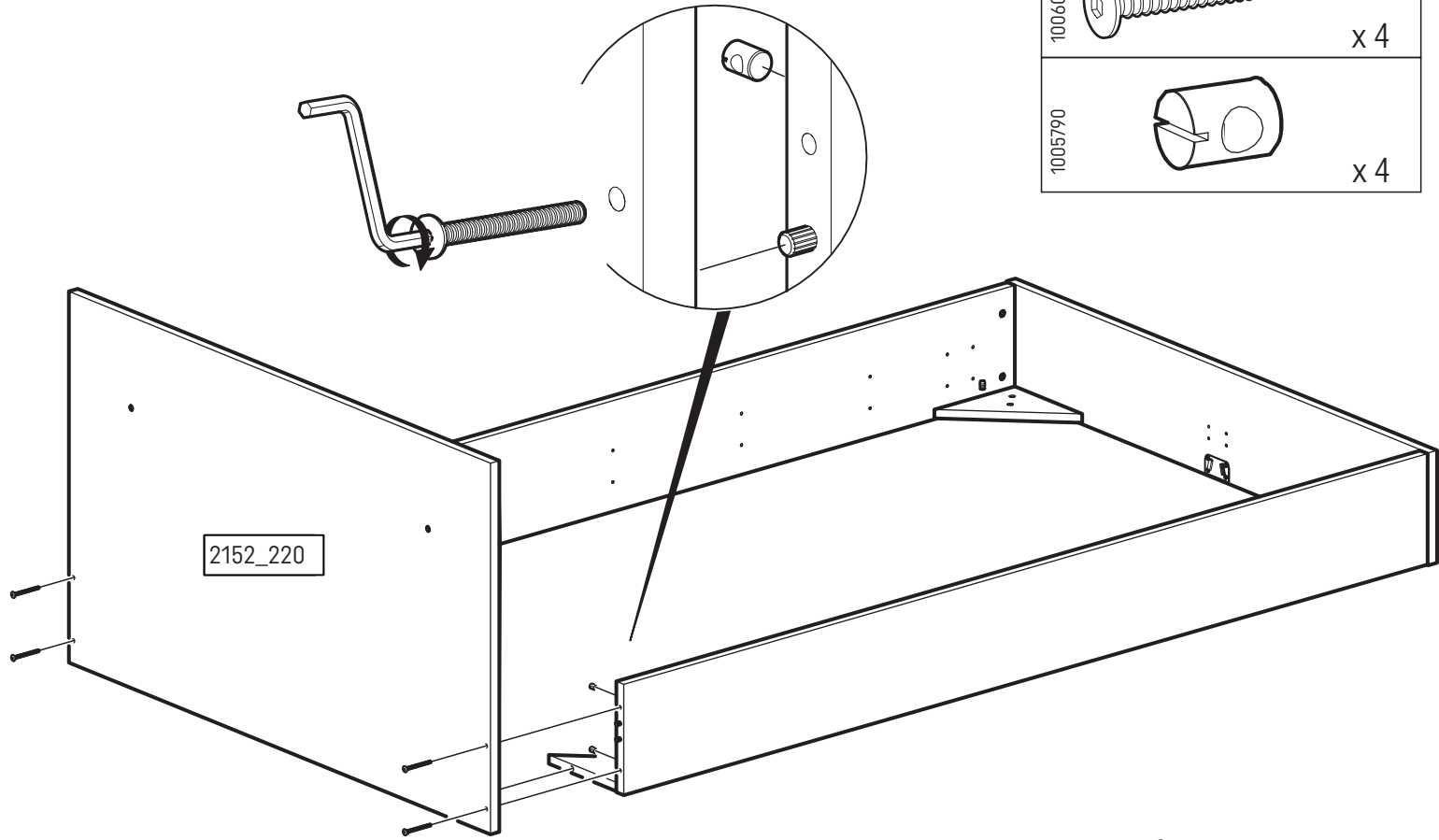


10

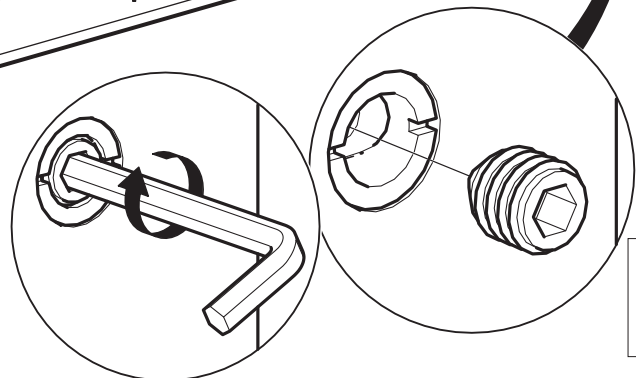
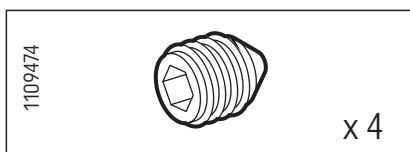
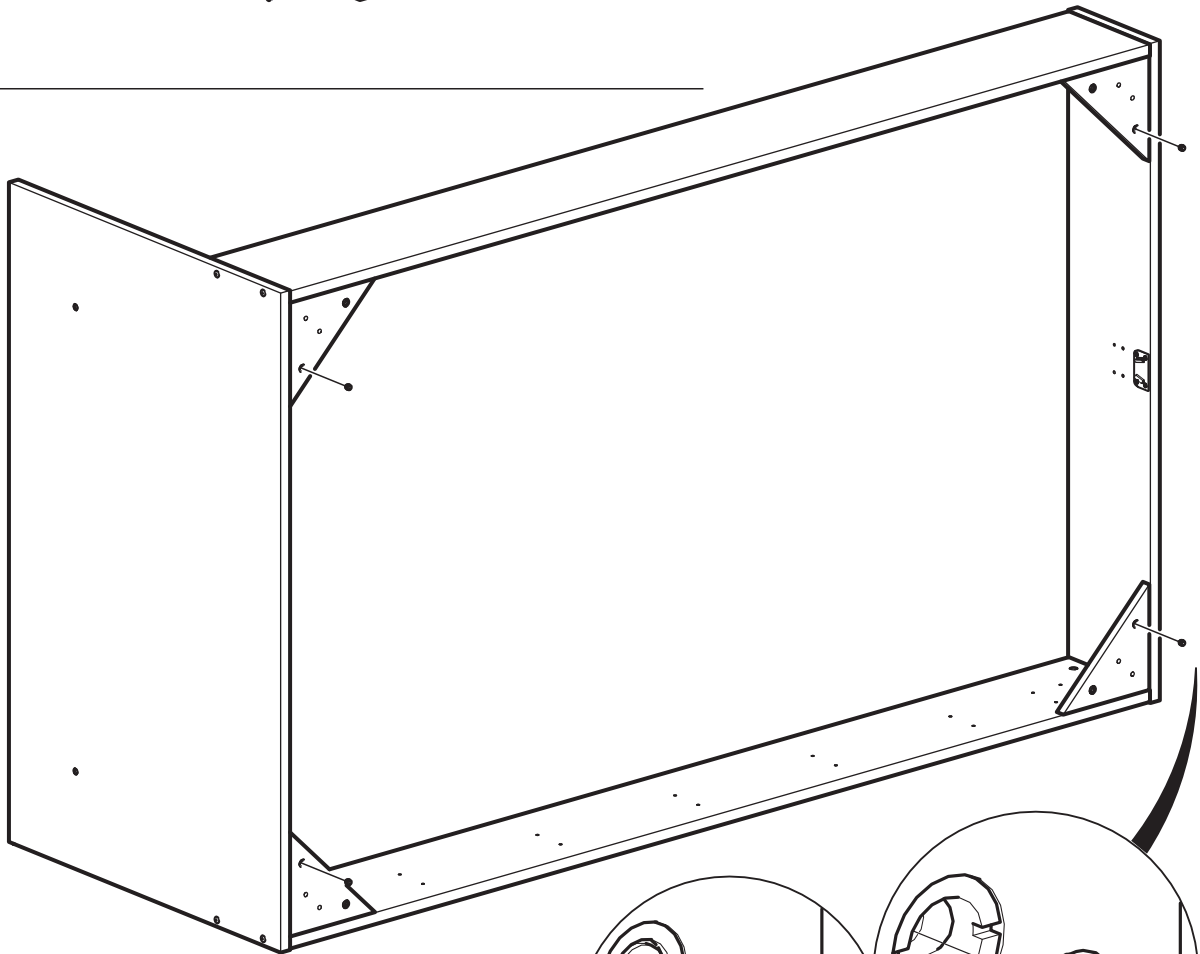


6

11

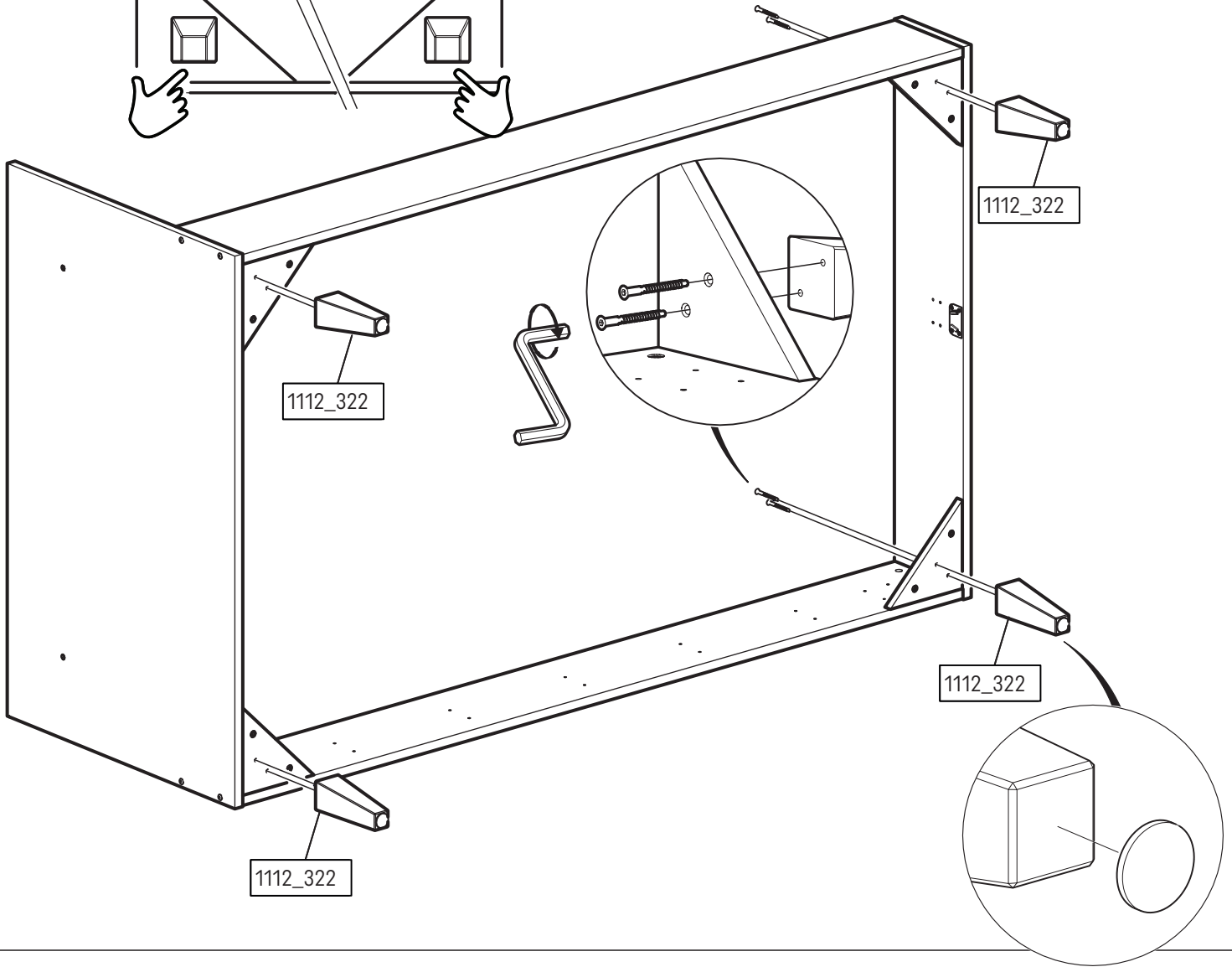
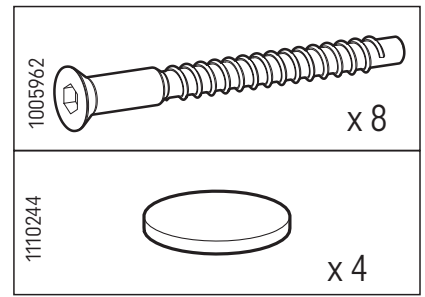
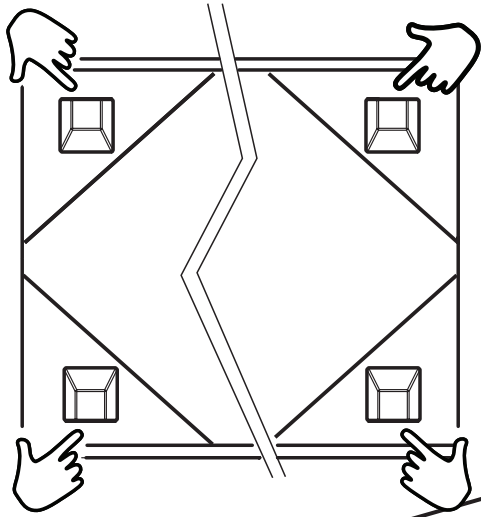


12

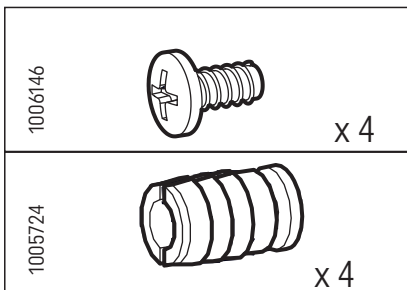
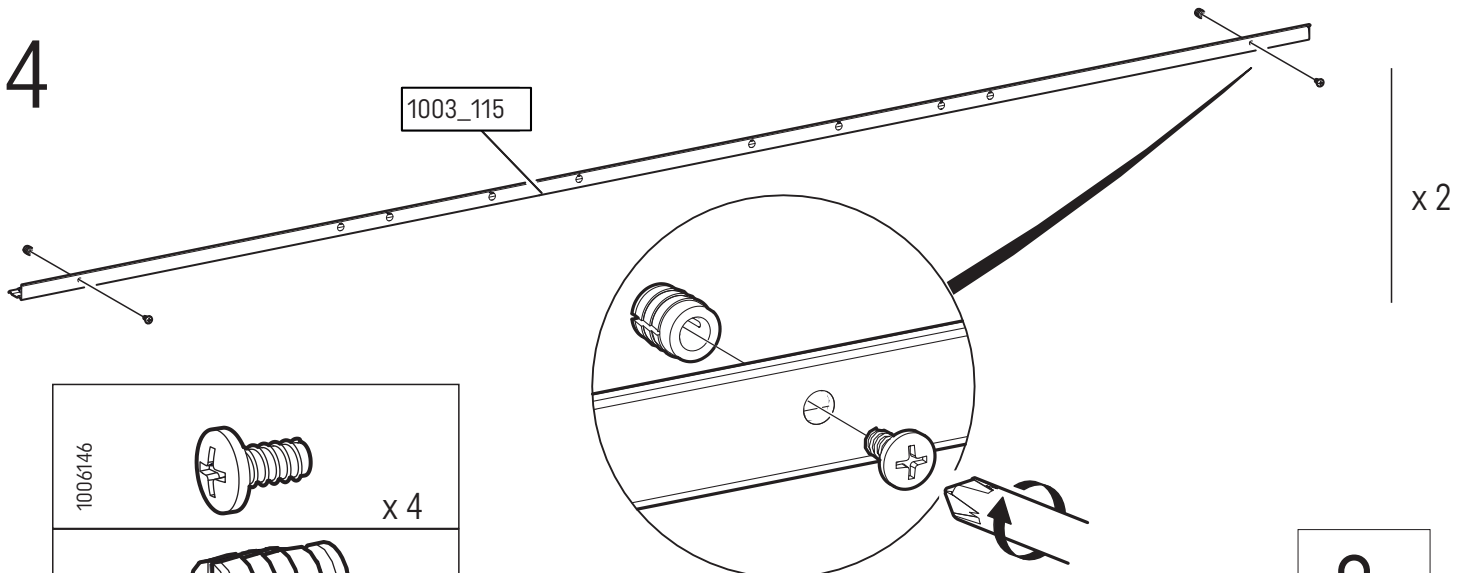


7

13

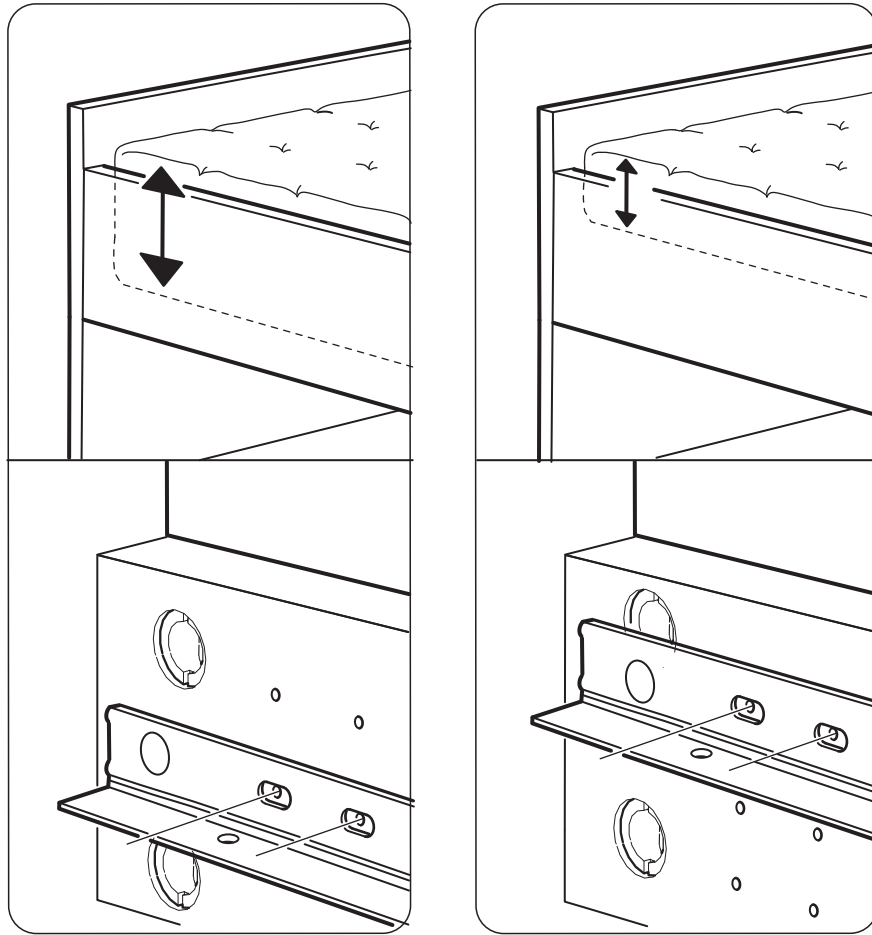


14

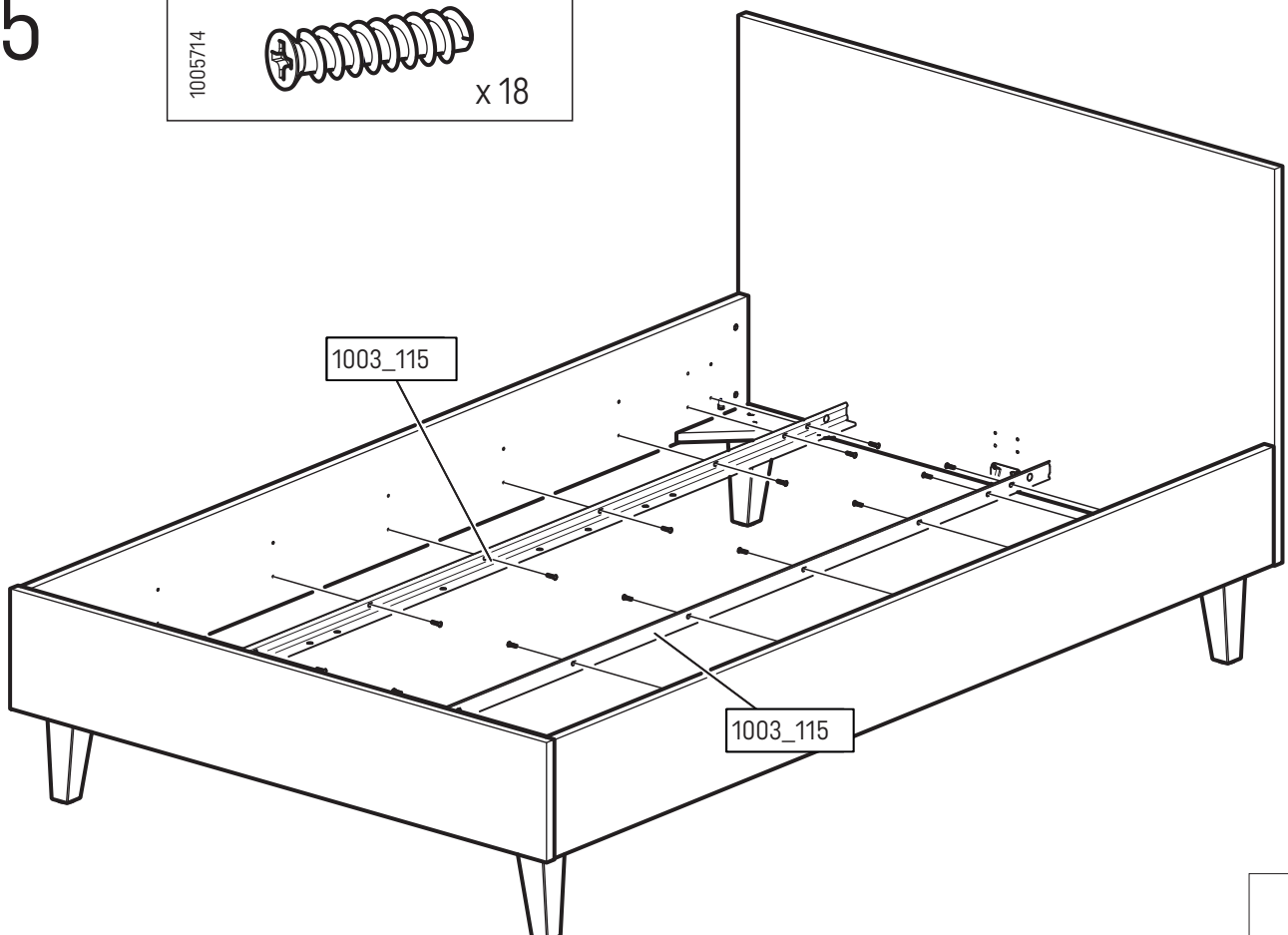
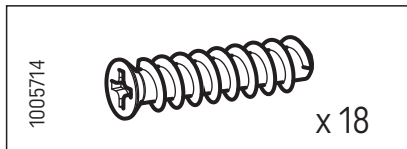


8



i

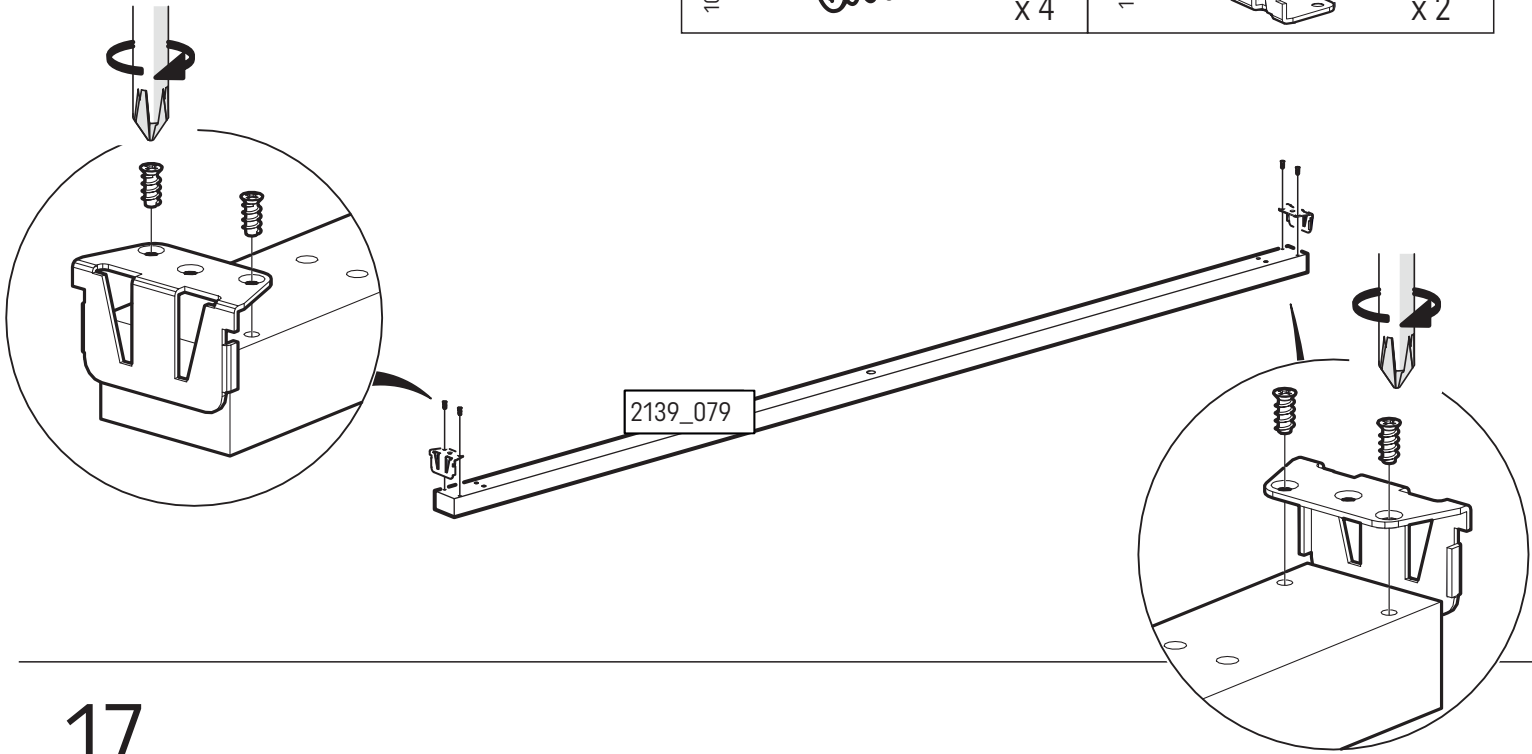


15




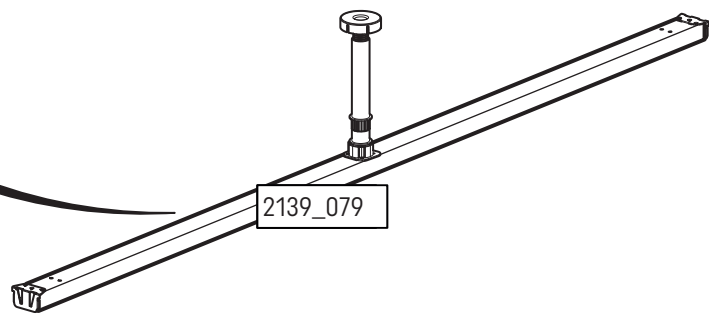
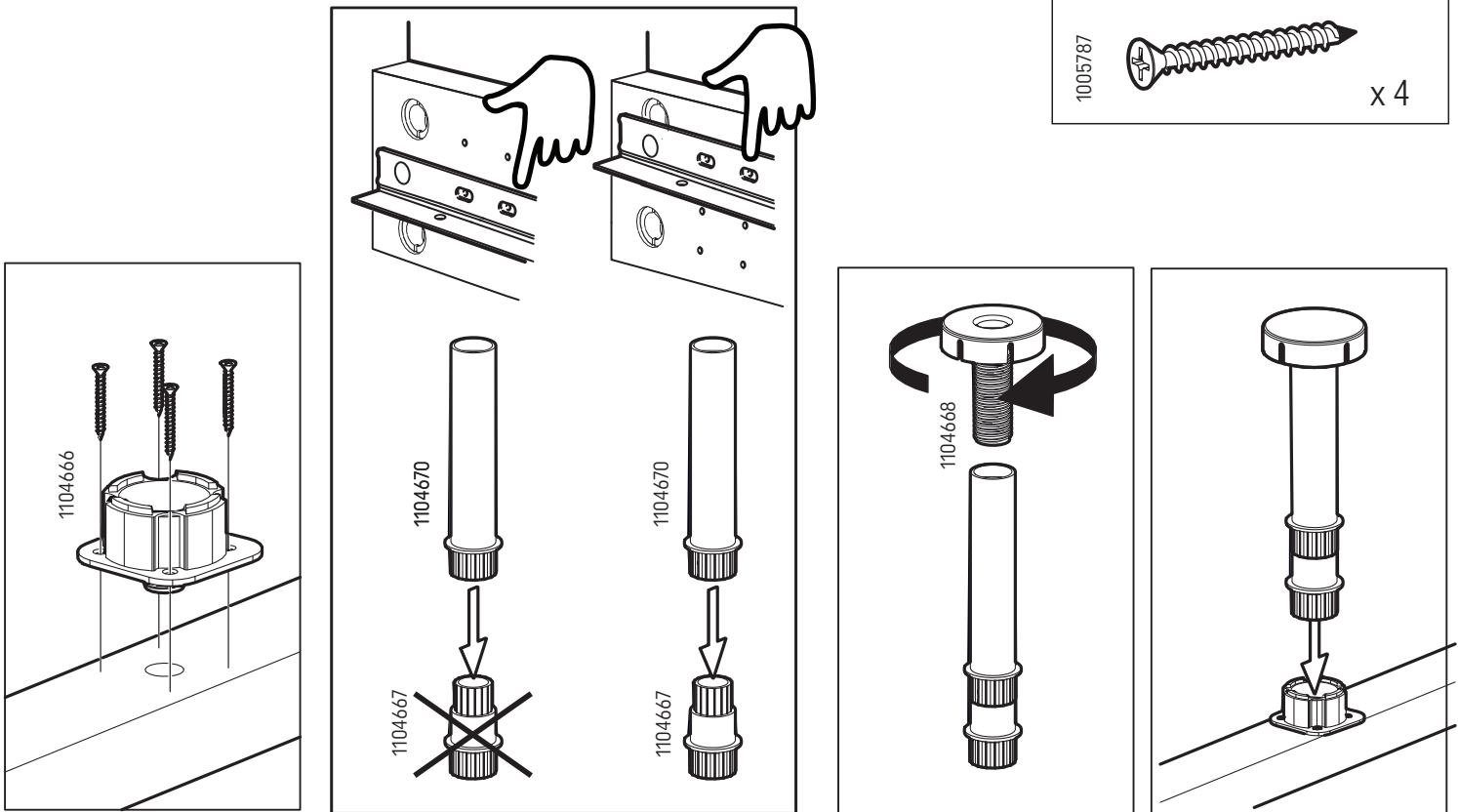
16

1005713	 x 4	1001719	 x 2
---------	--	---------	---

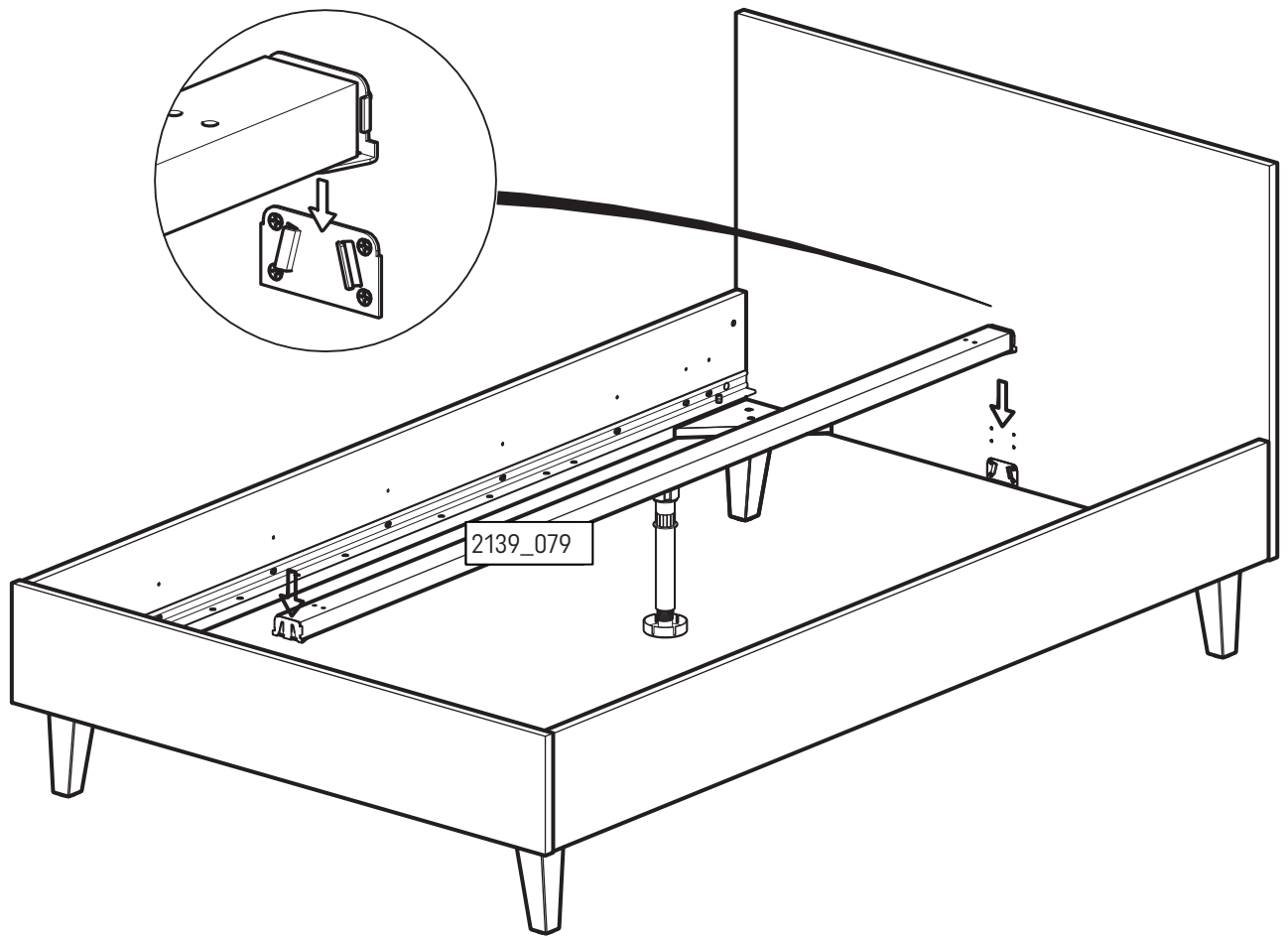


17

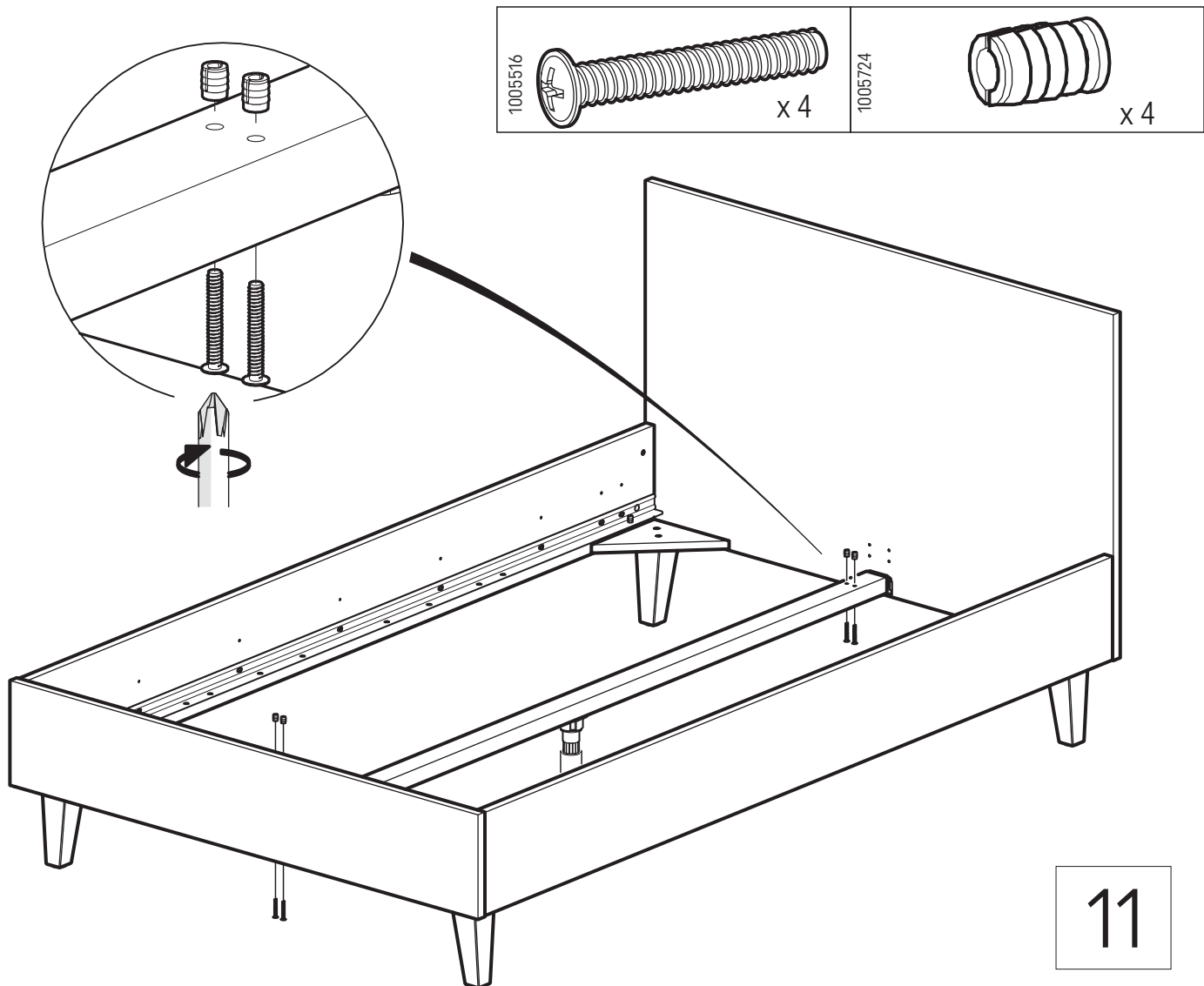
1005787	 x 4
---------	--



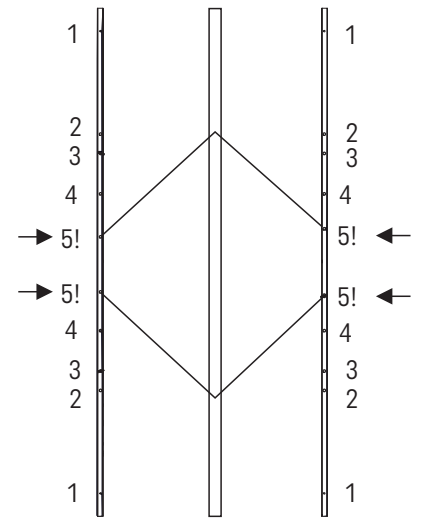
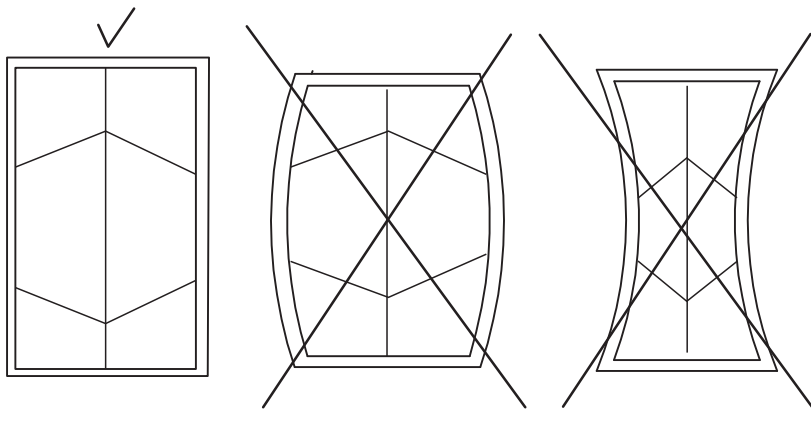
18



19

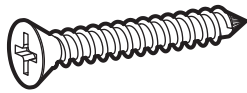


i



20

1006024



x 2

1005775

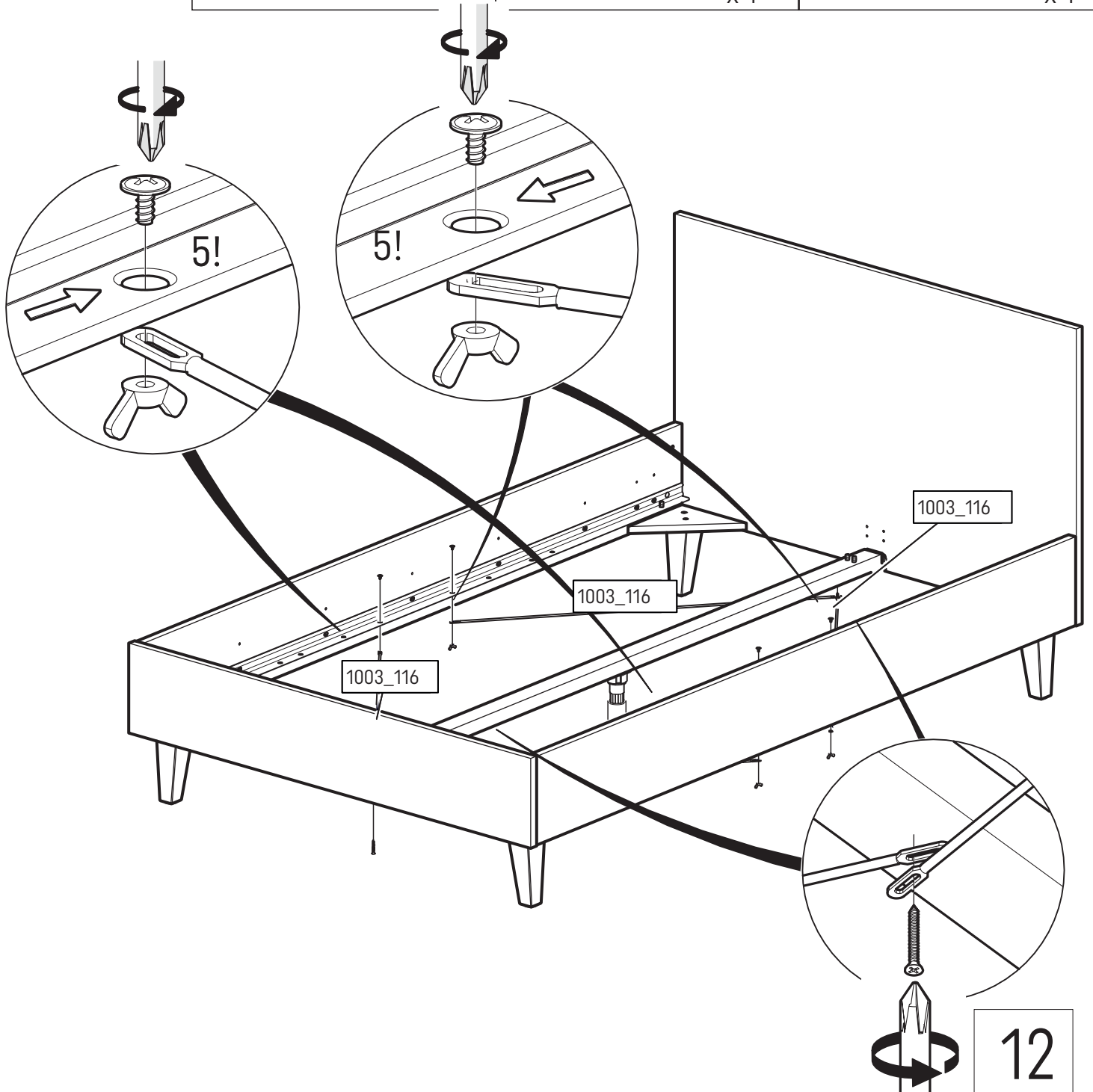


x 4

1005490

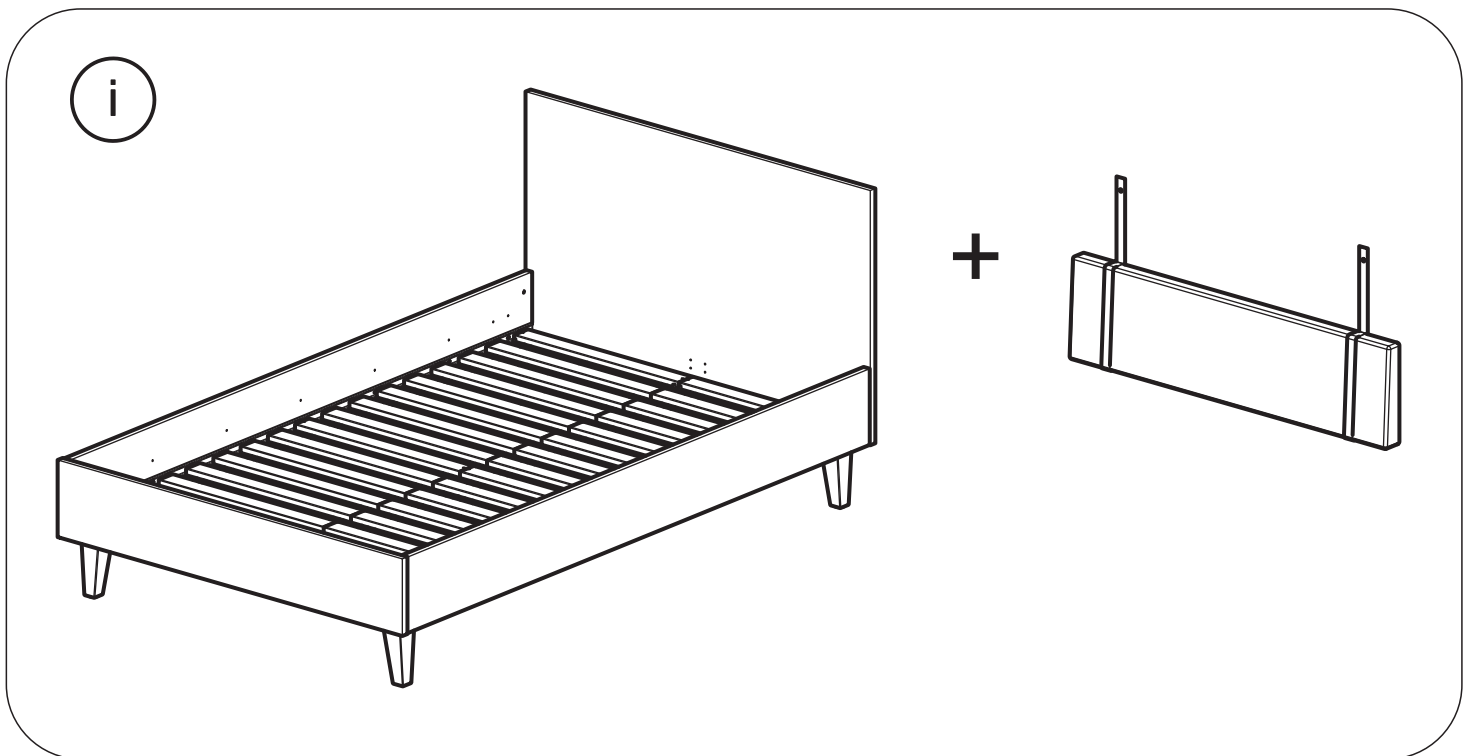
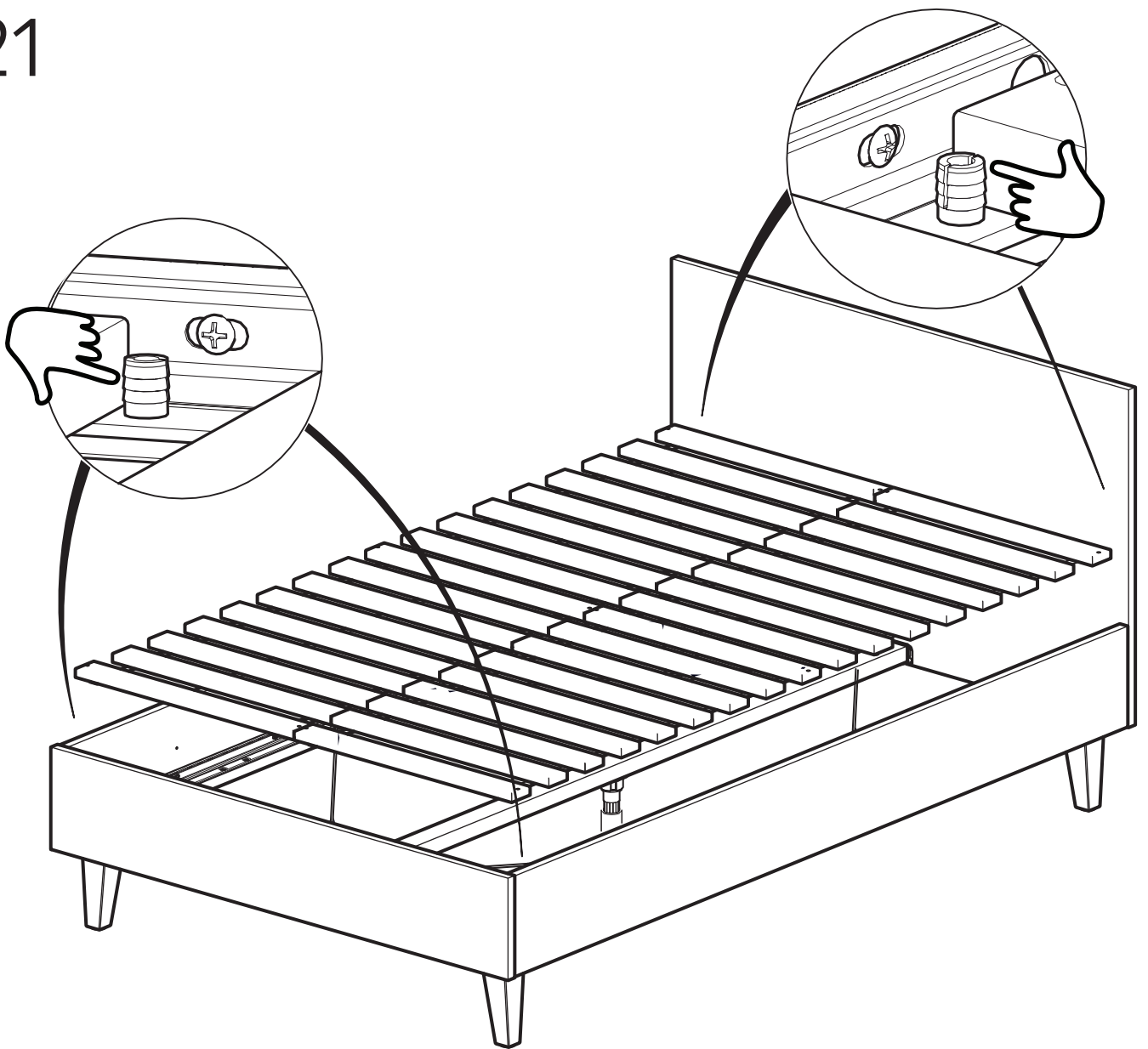


x 4

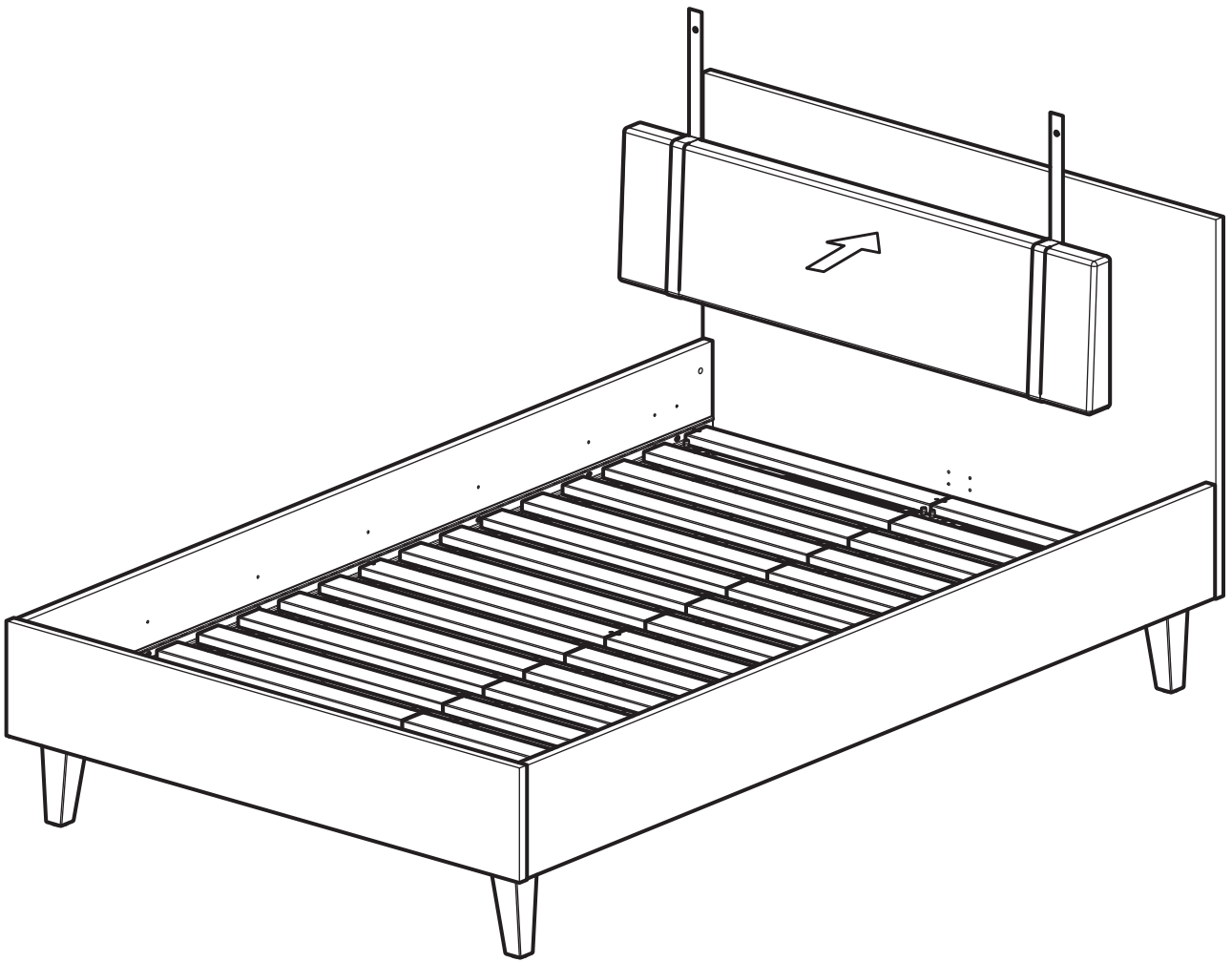


12

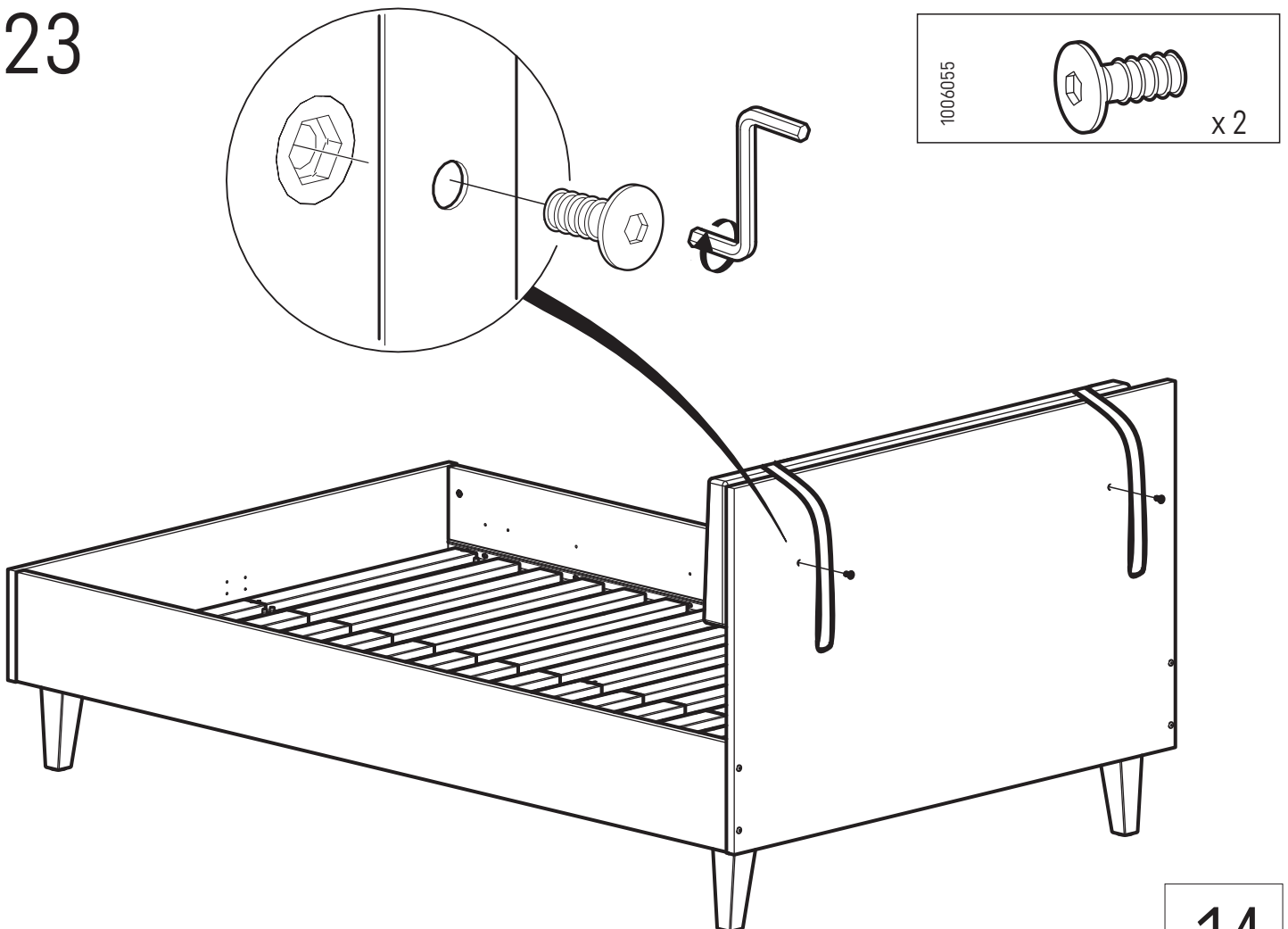
21



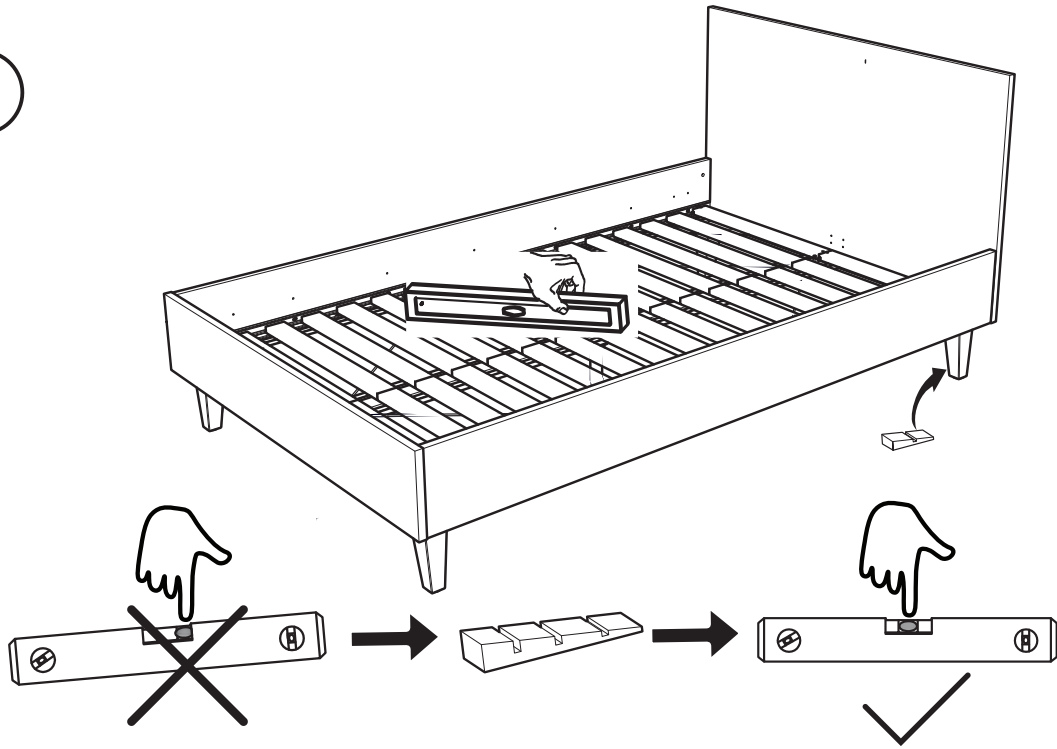
22



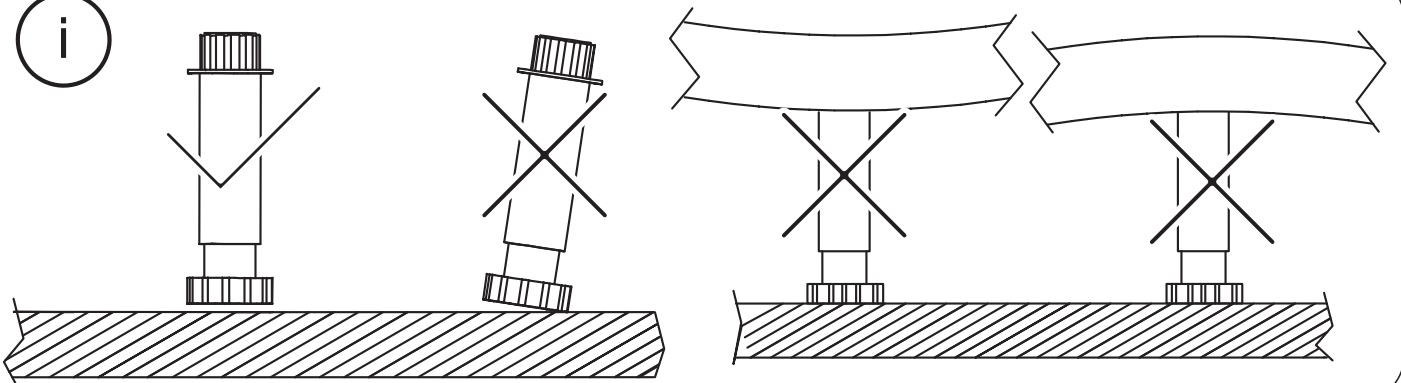
23



i



i



i

