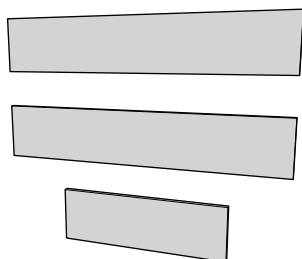


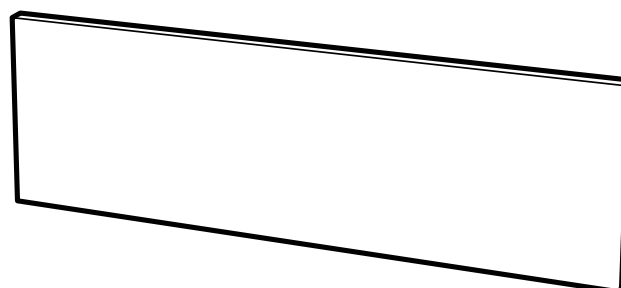
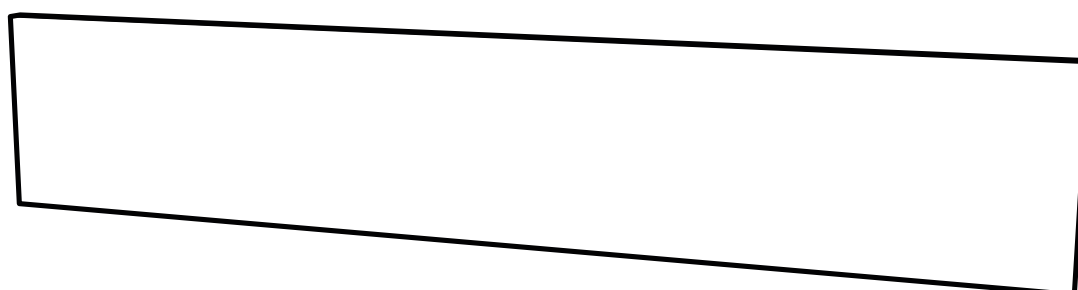
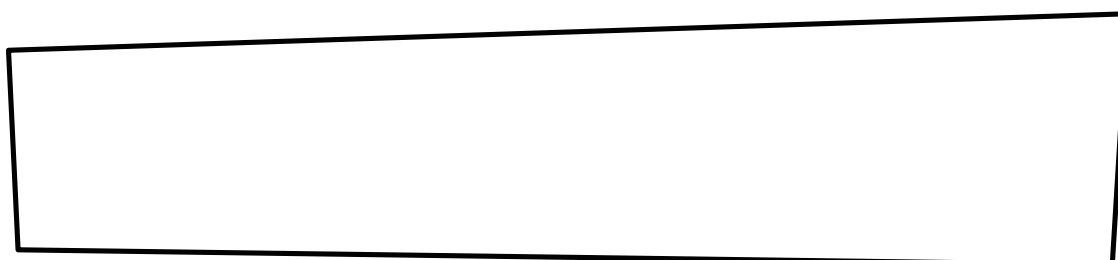
# MUVE

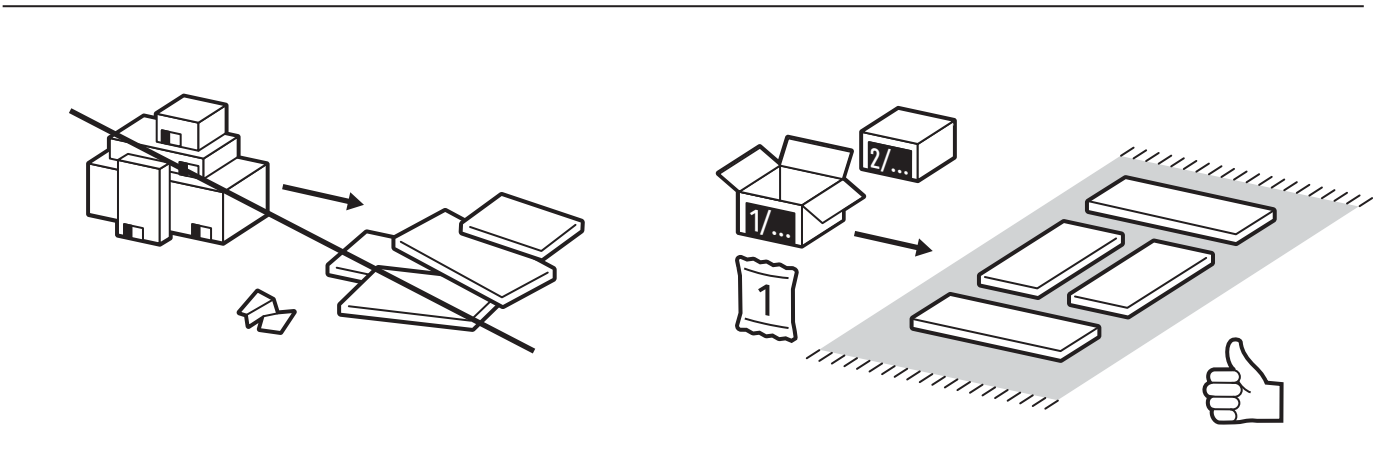
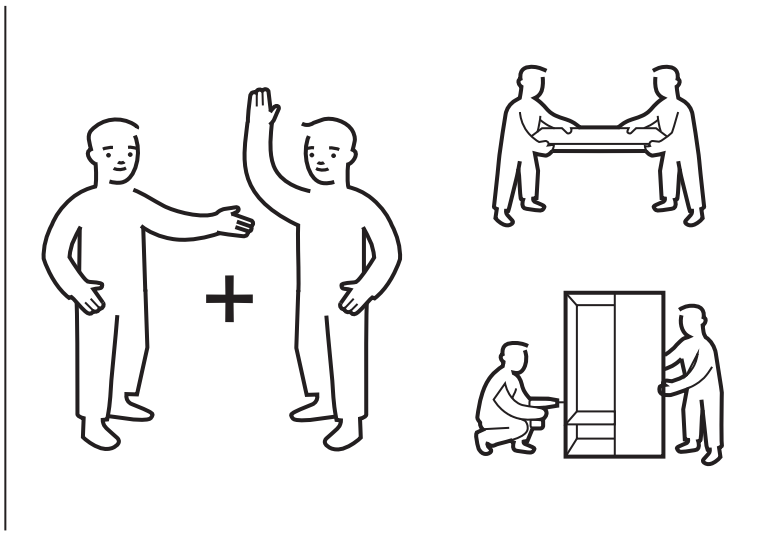
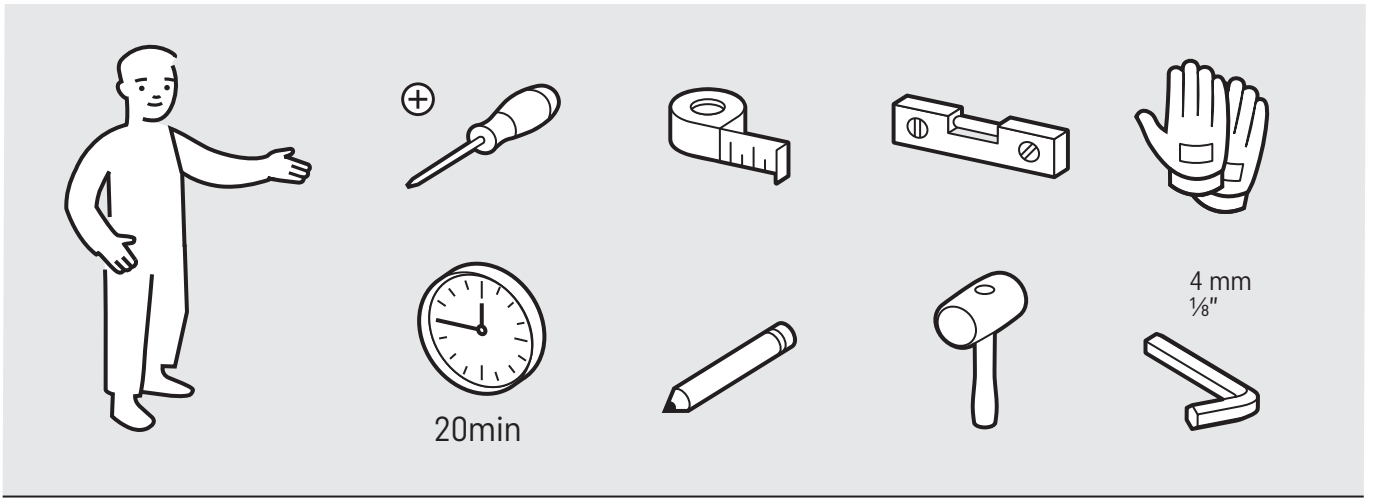


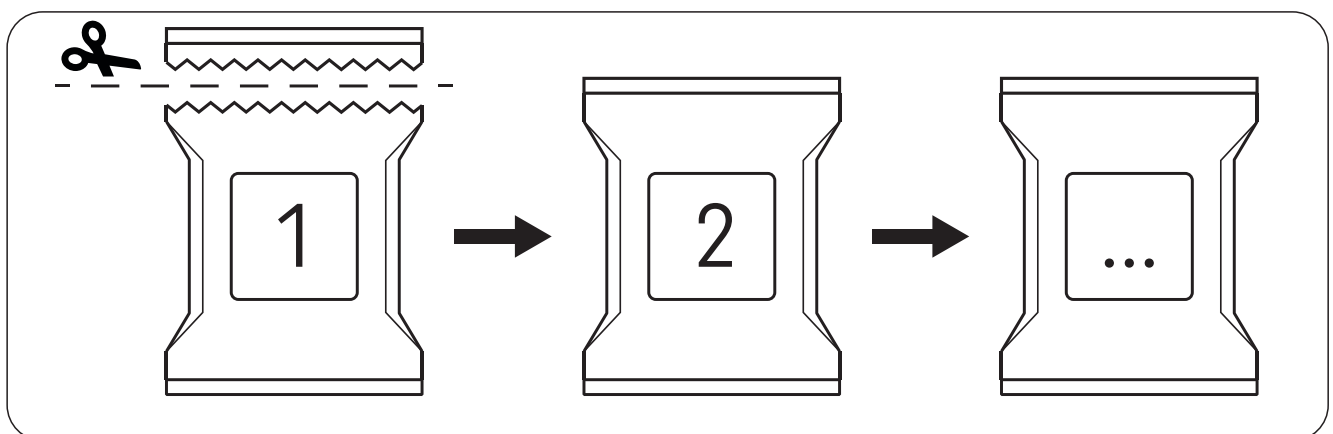
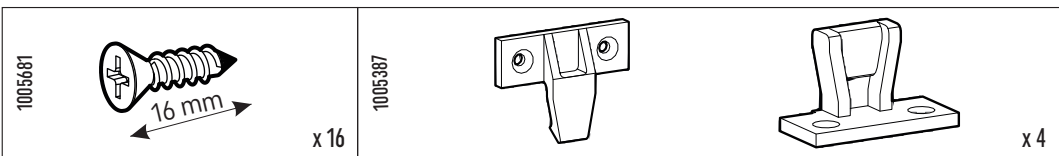
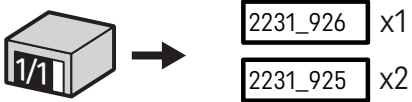
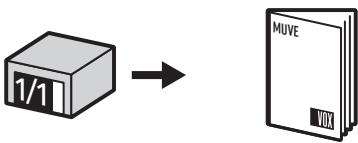
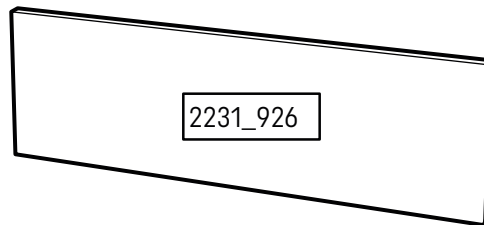
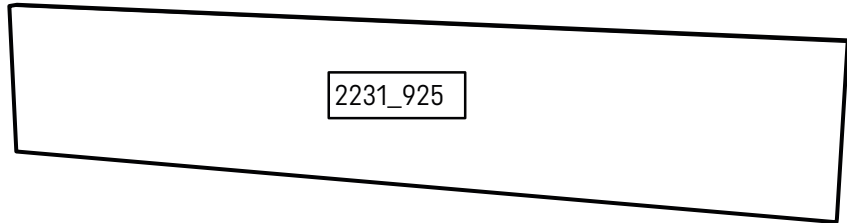
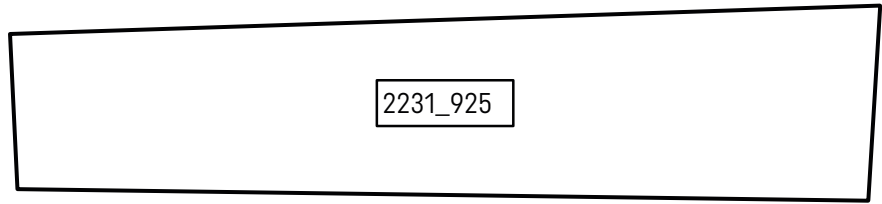
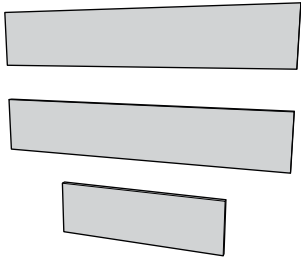
4023750\_001

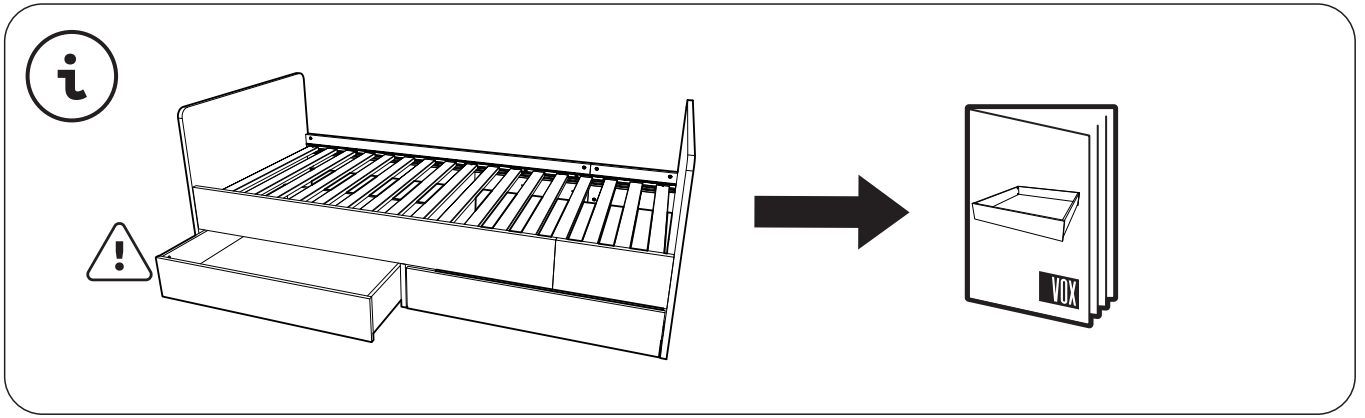


98,5x18x2 cm  
38 3/4x7x3/4"

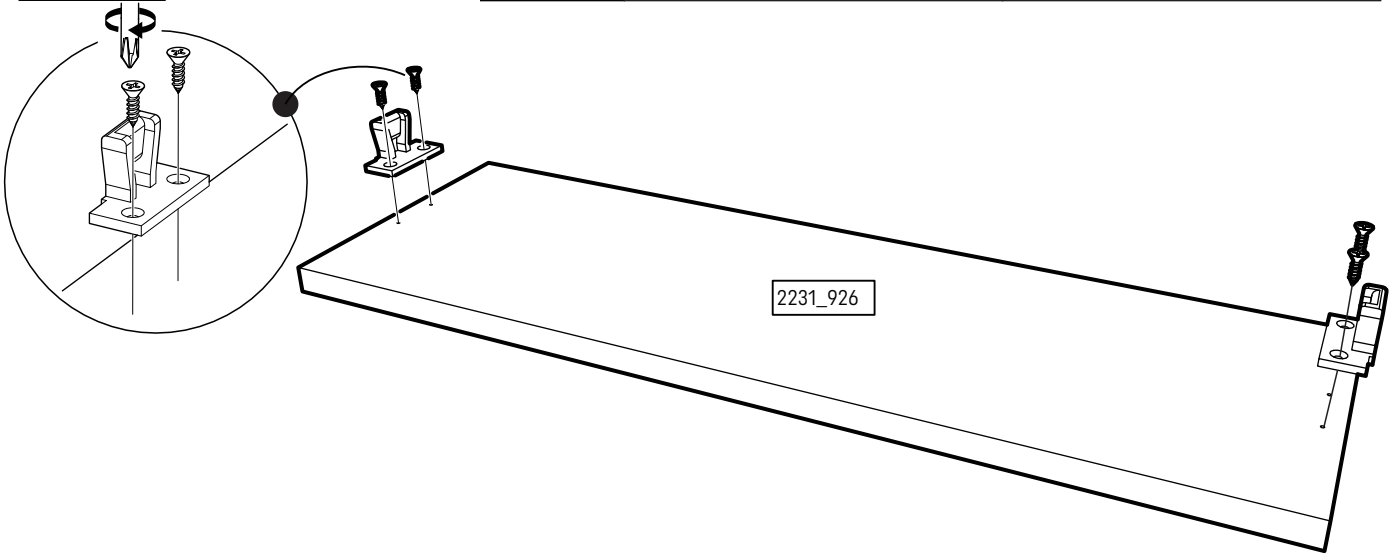
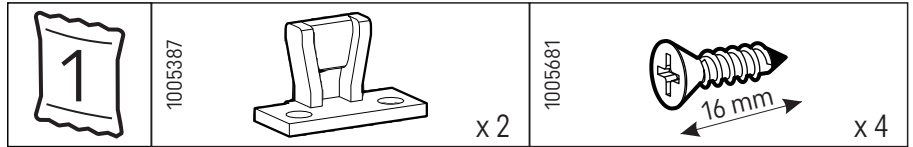




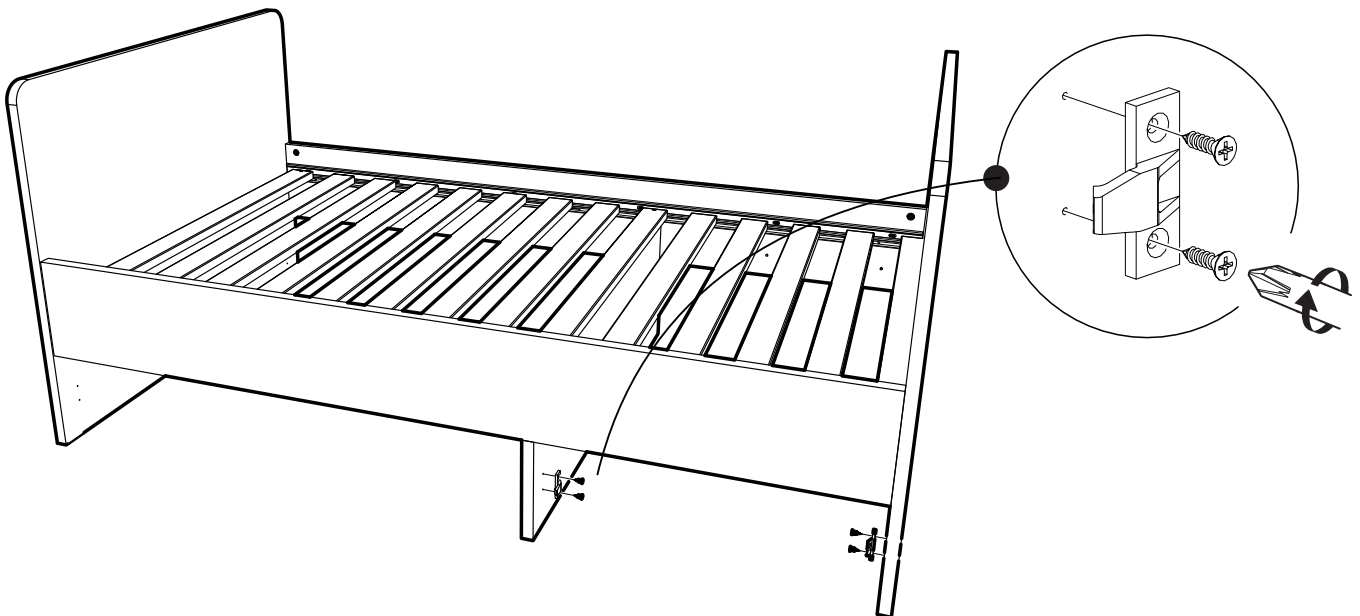
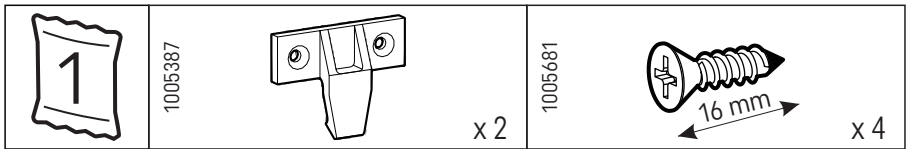




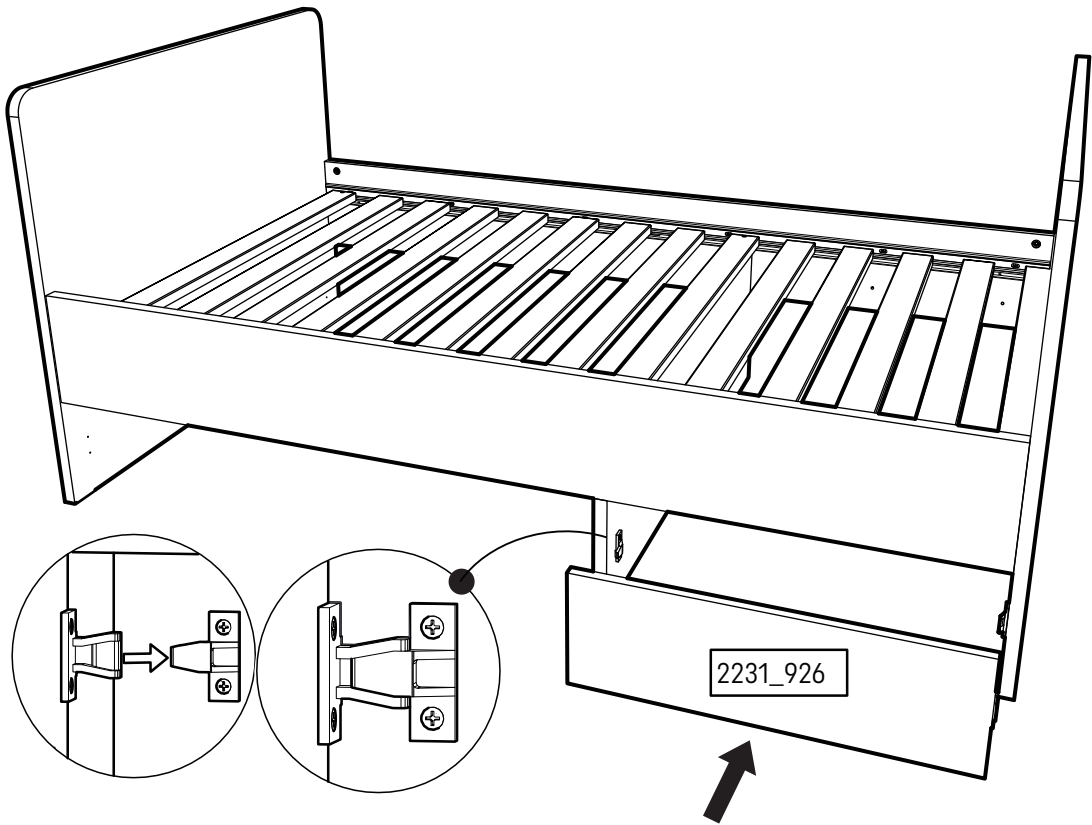
1



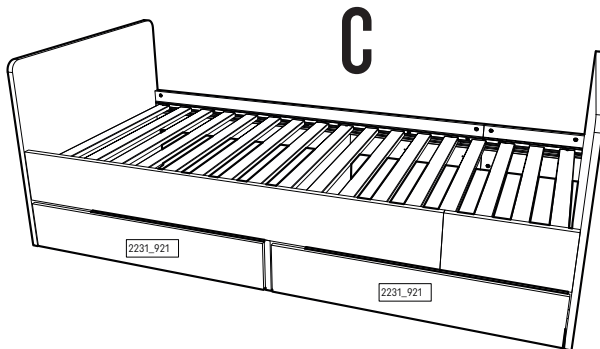
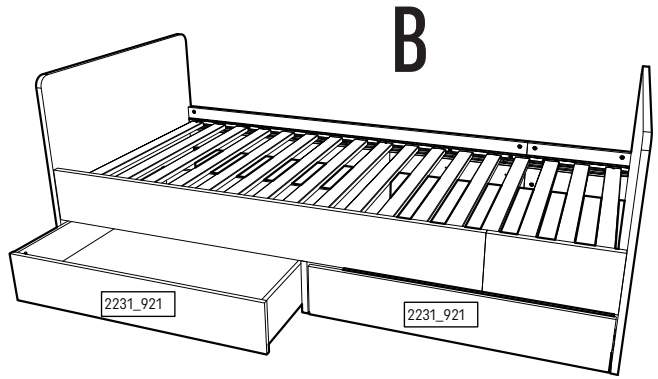
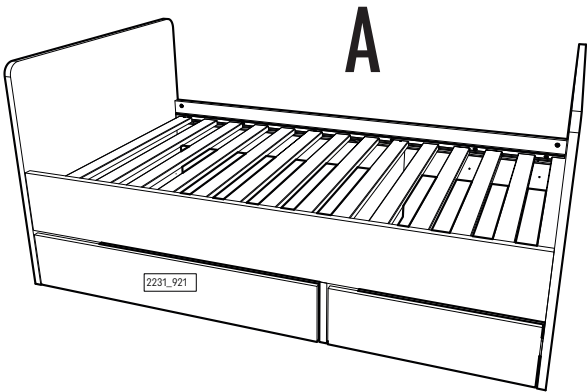
2



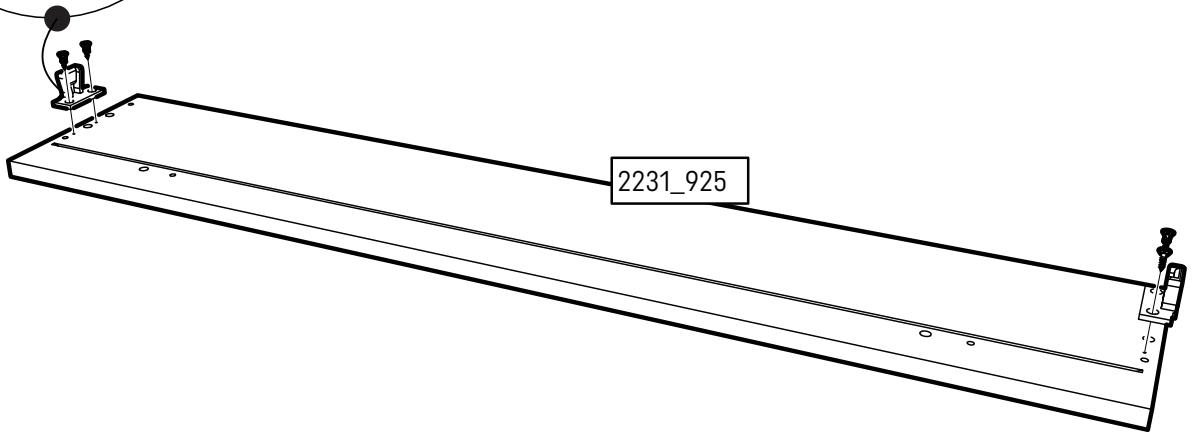
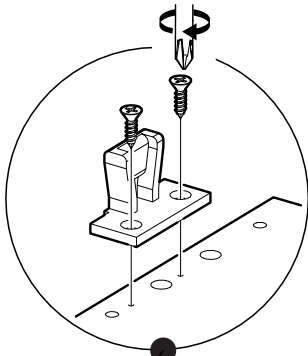
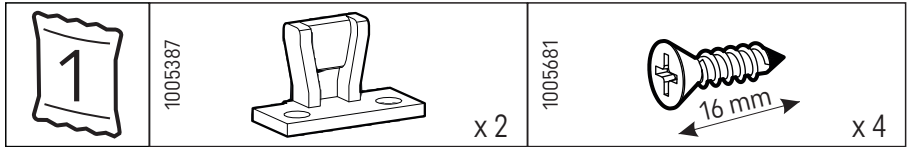
3



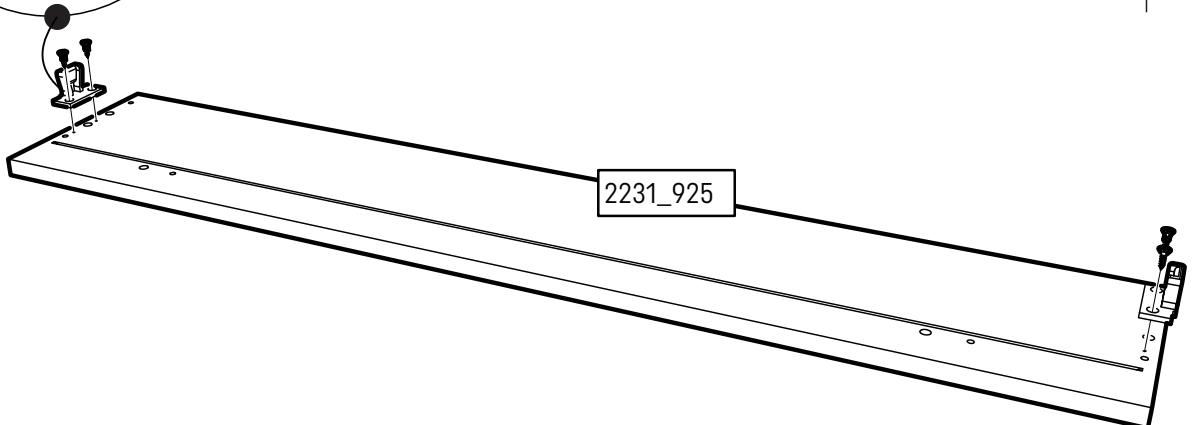
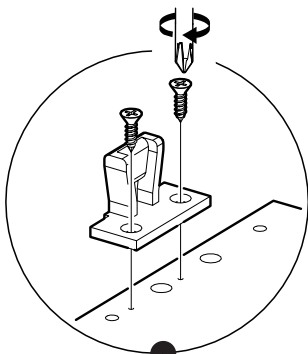
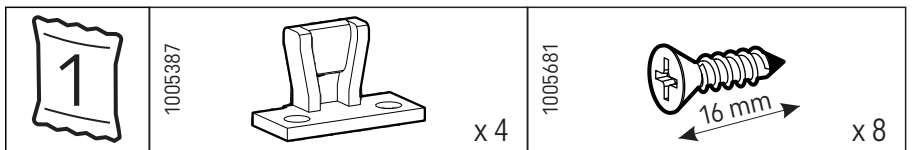
**i**




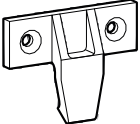

4AB

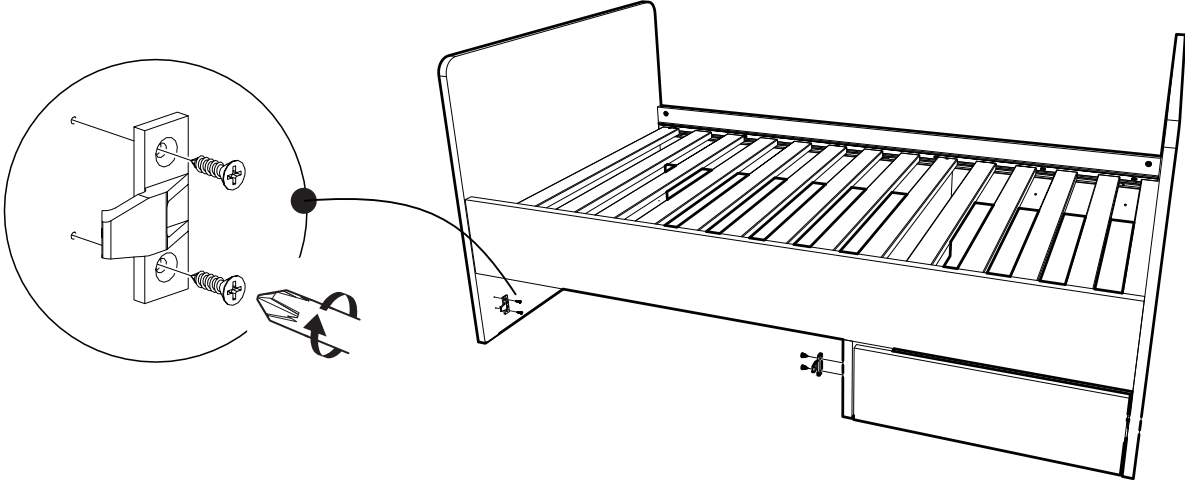


4C


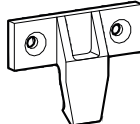



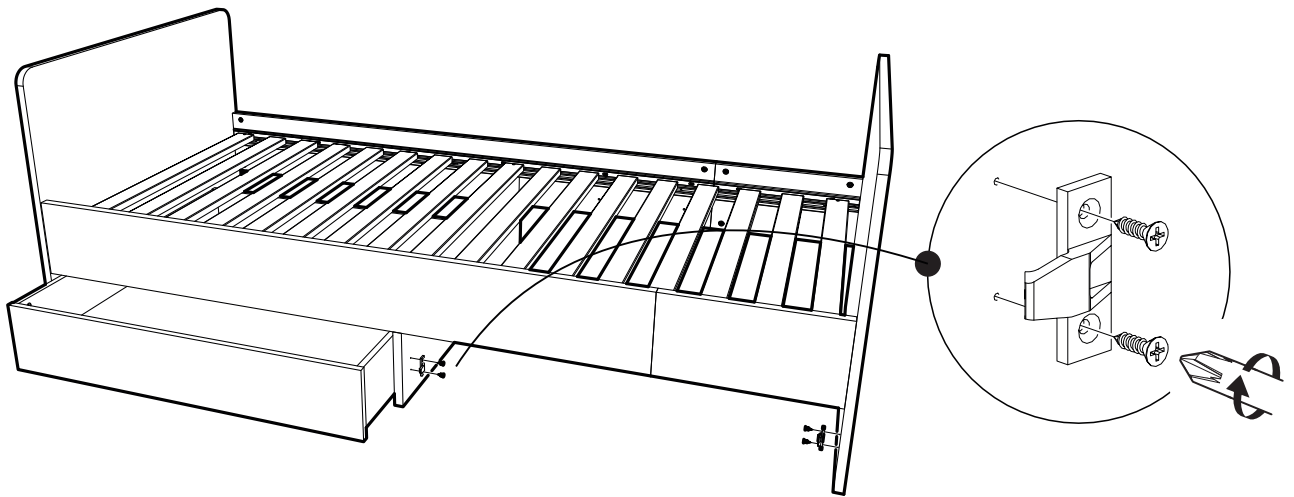
# 5A

	1005387		x 2	1005681		x 4
-----------------------------------------------------------------------------------	---------	-----------------------------------------------------------------------------------	-----	---------	-------------------------------------------------------------------------------------	-----


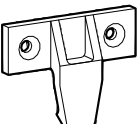



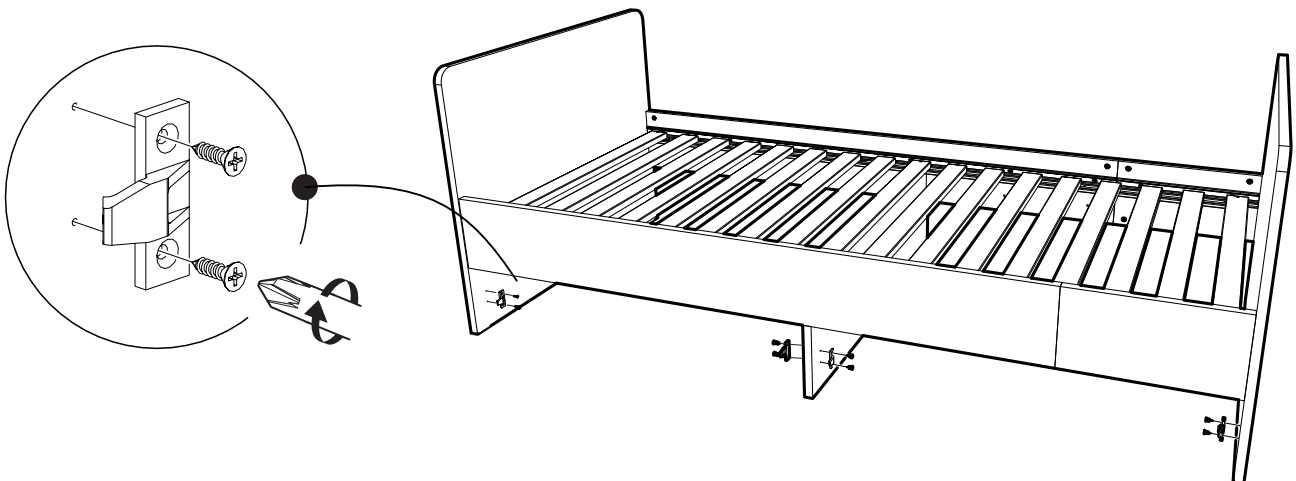
# 5B

	1005387		x 2	1005681		x 4
-----------------------------------------------------------------------------------	---------	-----------------------------------------------------------------------------------	-----	---------	-------------------------------------------------------------------------------------	-----



# 5C

	1005387		x 4	1005681		x 8
-------------------------------------------------------------------------------------	---------	-------------------------------------------------------------------------------------	-----	---------	---------------------------------------------------------------------------------------	-----



6

