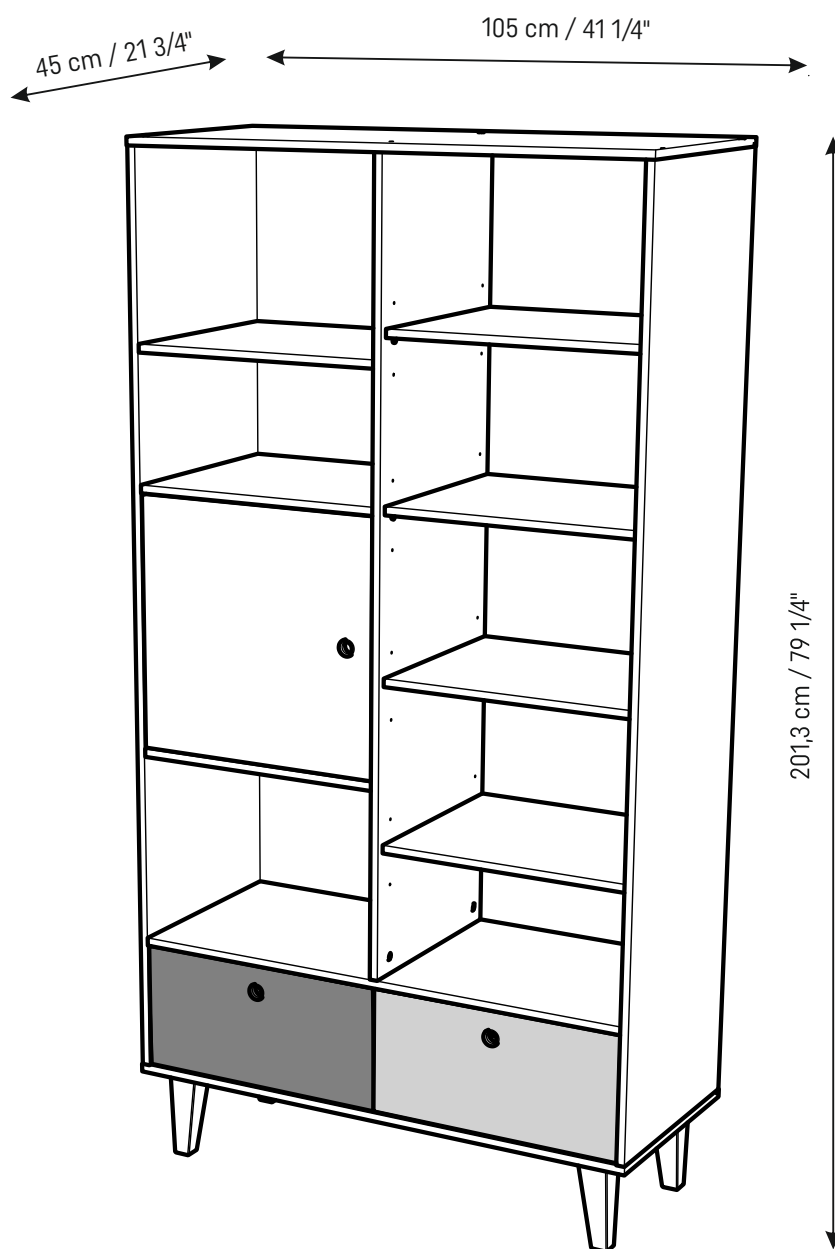
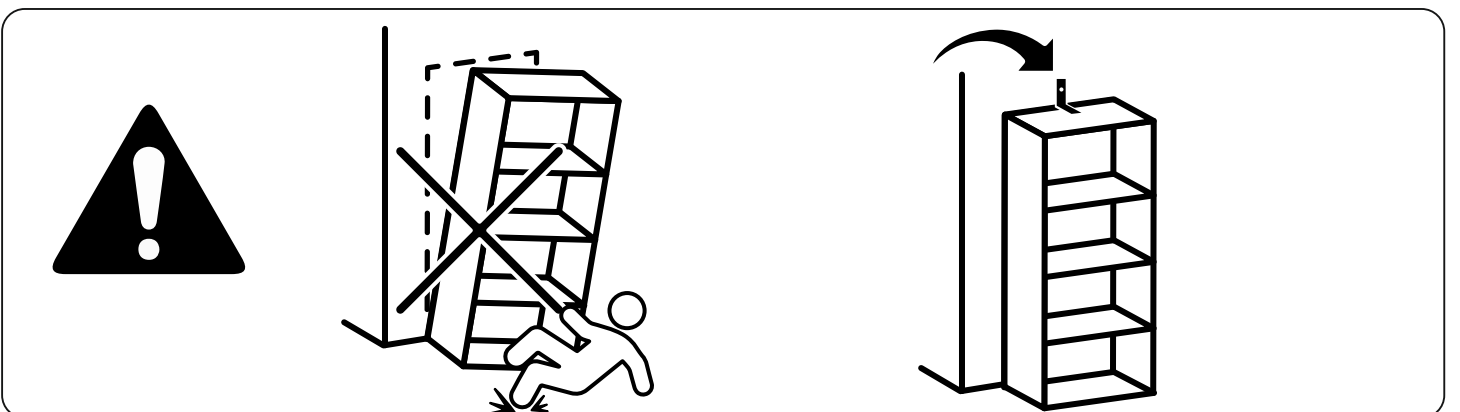
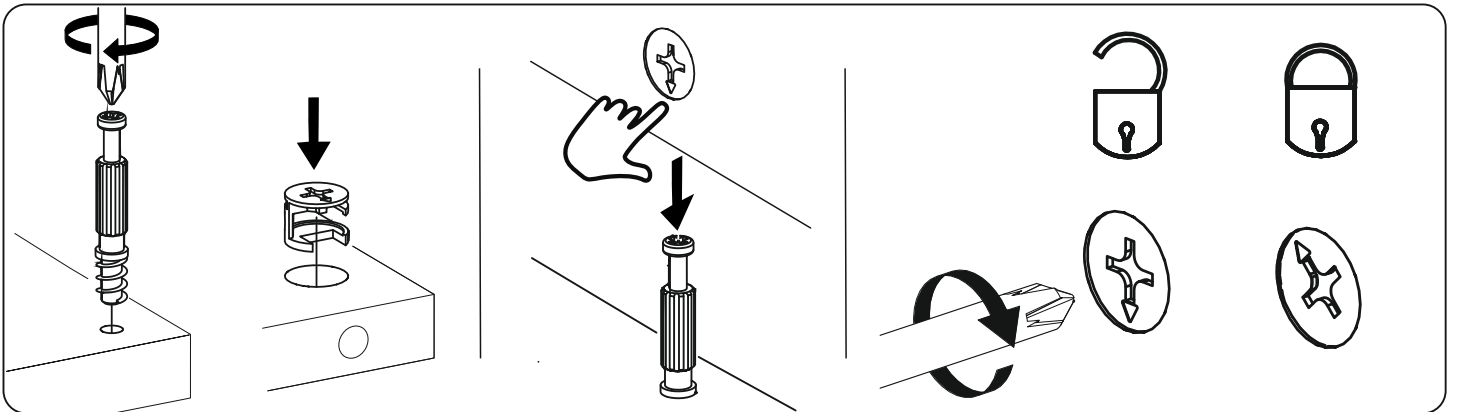
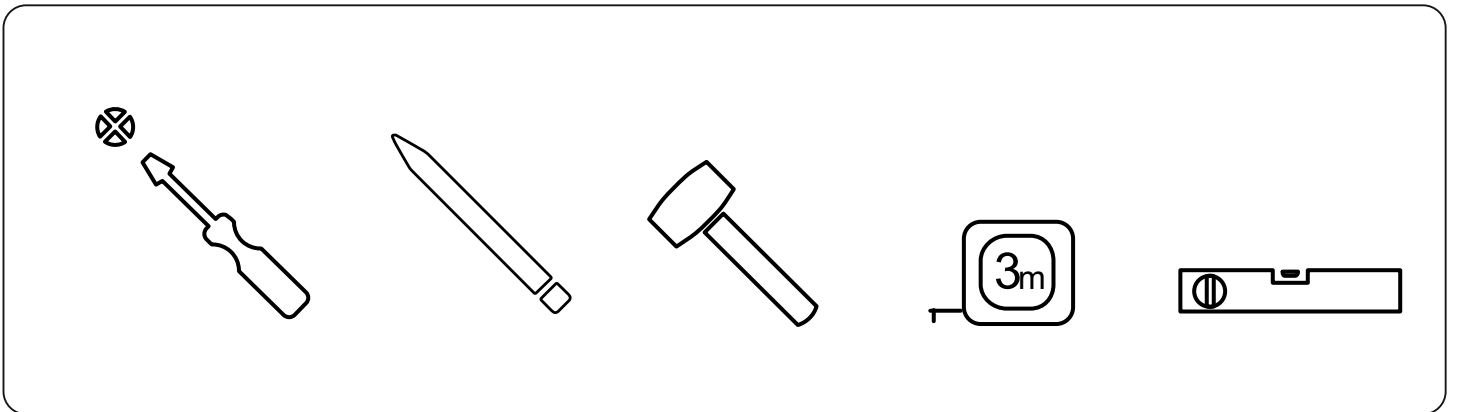
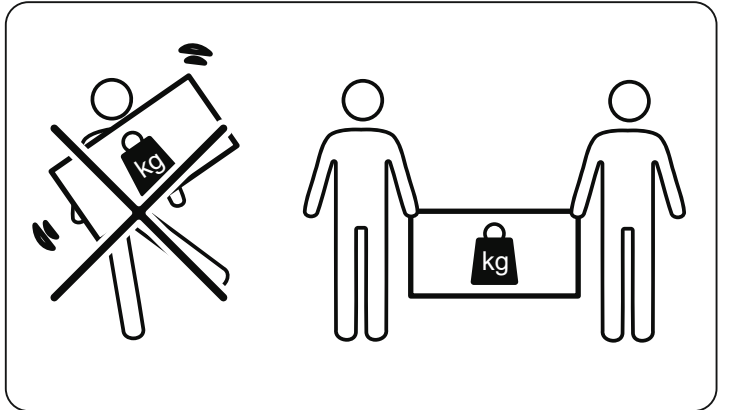
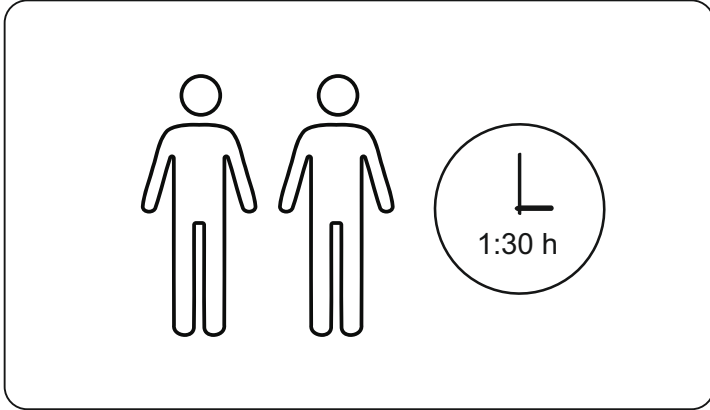
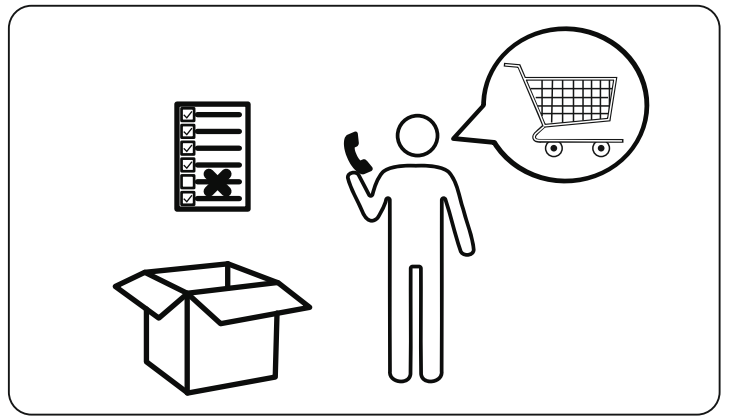
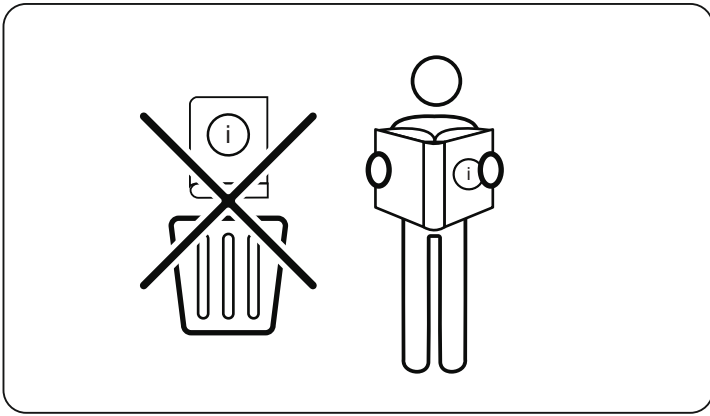



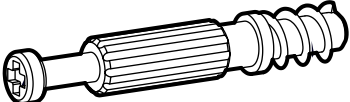
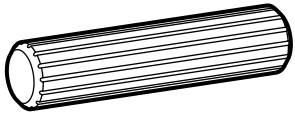
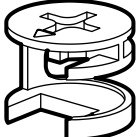
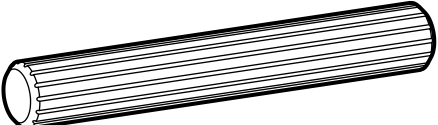
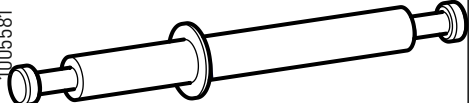
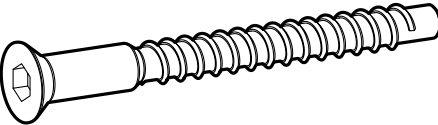
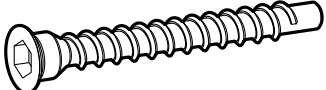

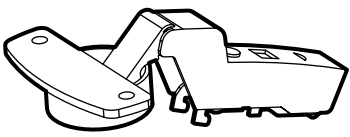
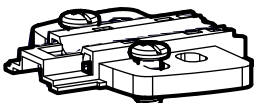

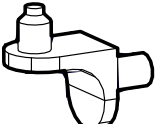
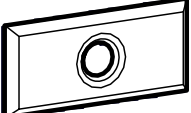



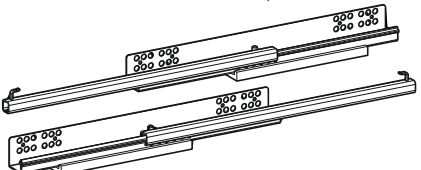
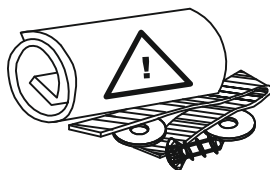
# CONCEPT

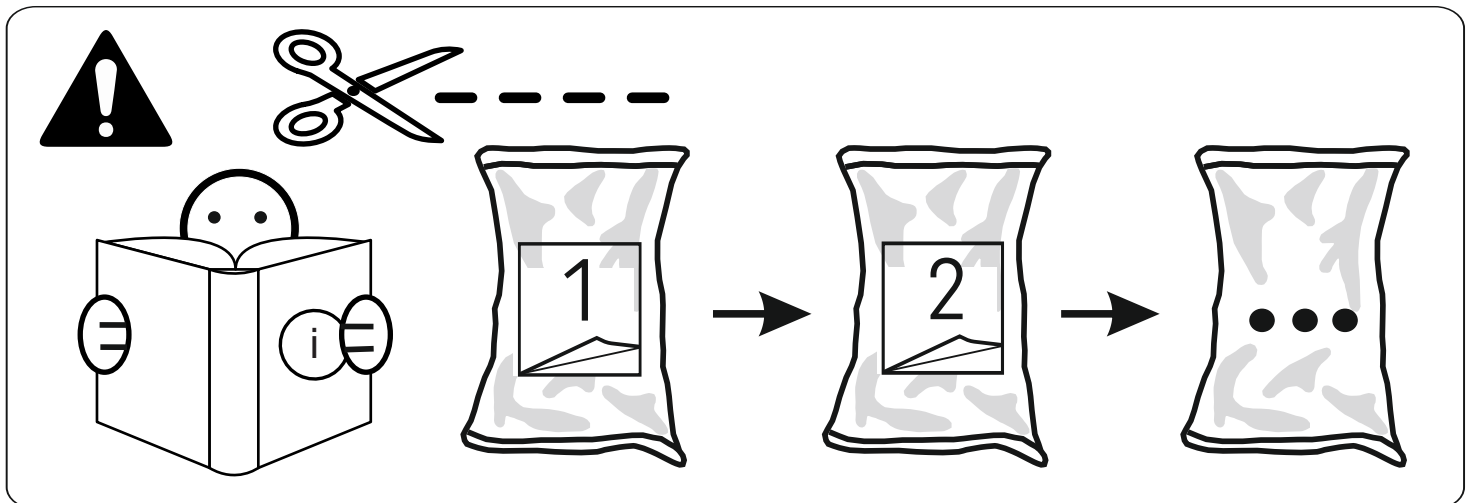
4020095\_001



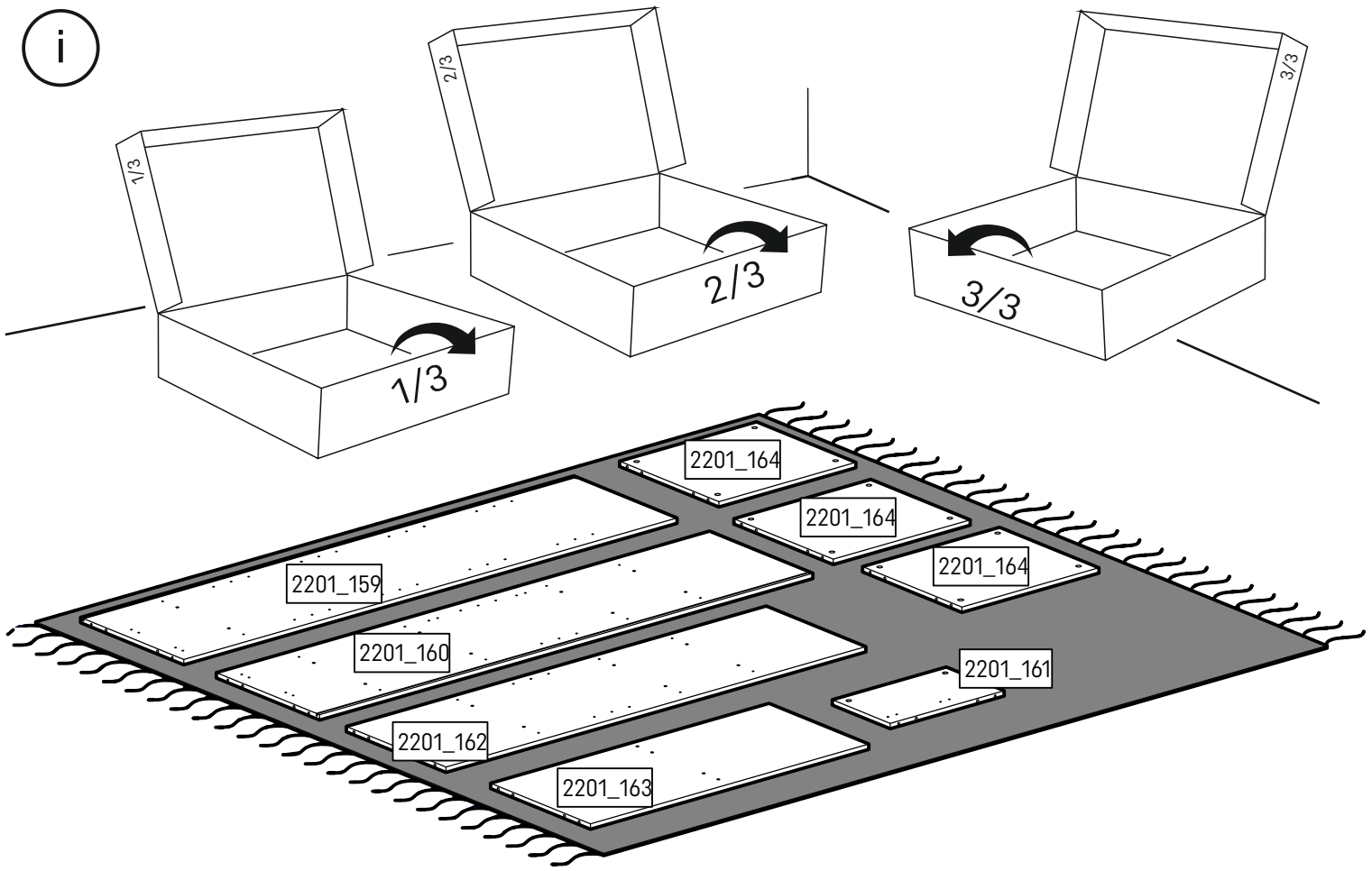




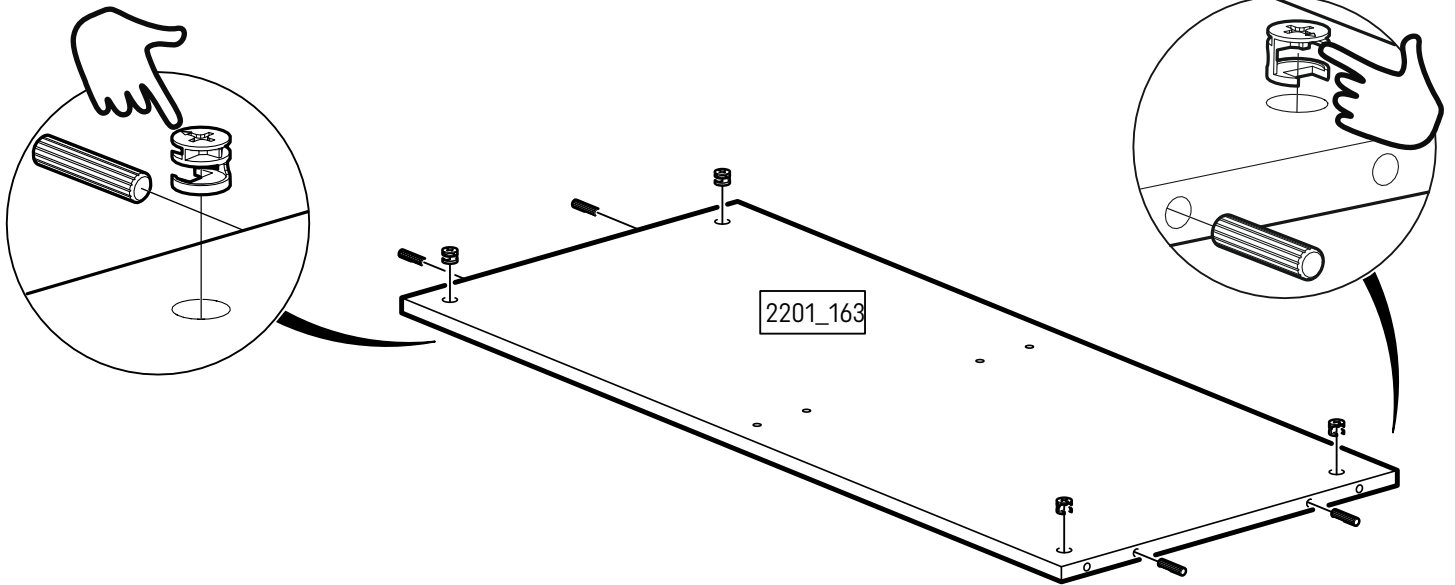
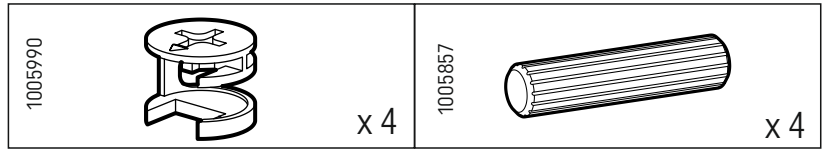
1000806  x 1	1006091  x 24	1005857  x 36
1005990  x 28	1005641  x 2	1005581  x 2
1005962  x 8	1005876  x 20	1006022  x 16
1003523  x 2	1003526  x 2	1120368  x 4
1001262  x 20	1000242  x 11	1005681  x 4
1005713  x 16	1006012  x 32	1003526  x 2
1000893  x 1		



i

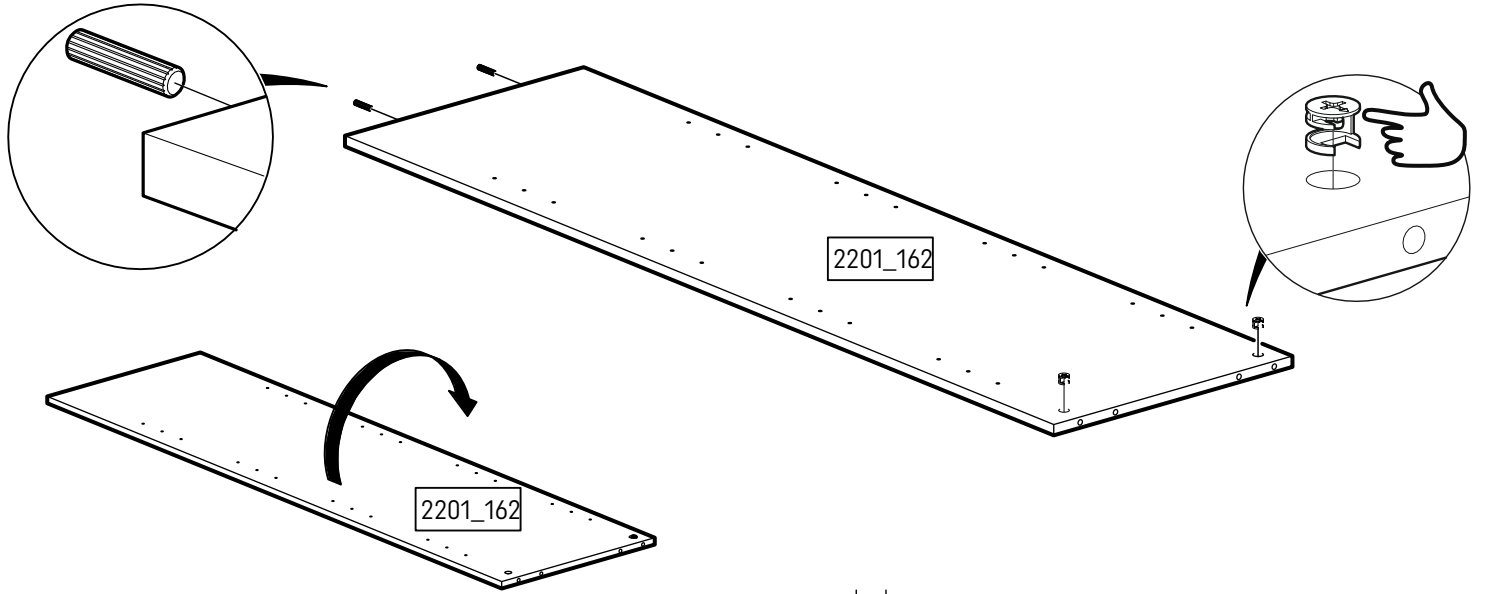
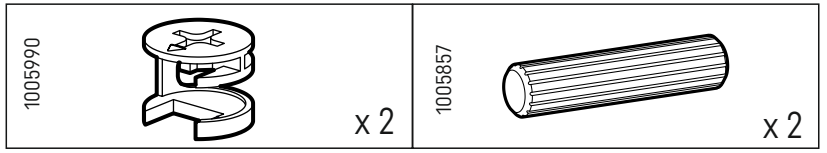


1

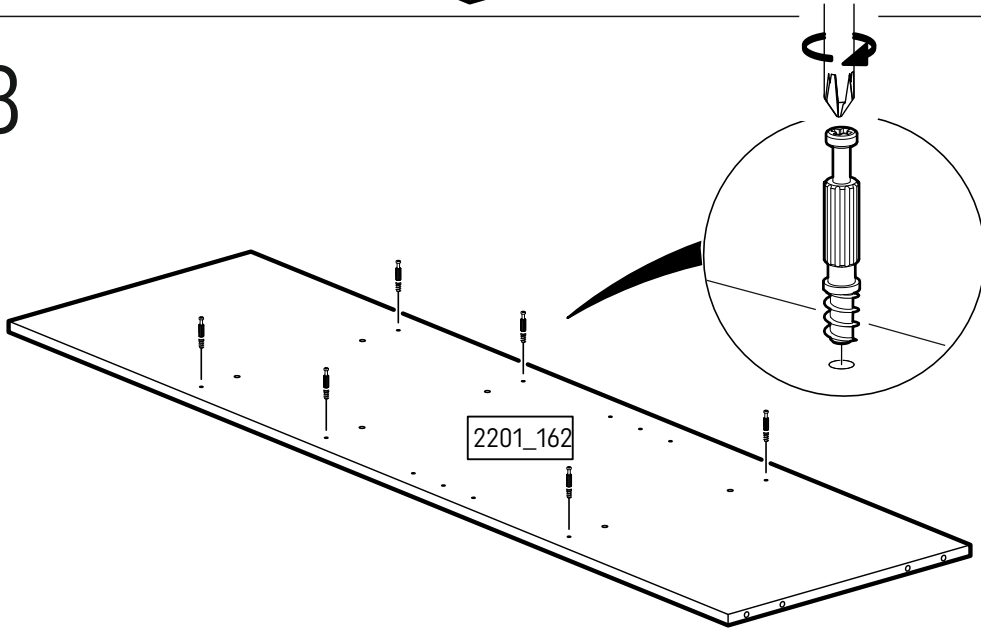
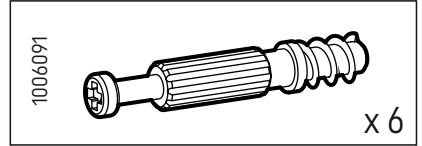


1

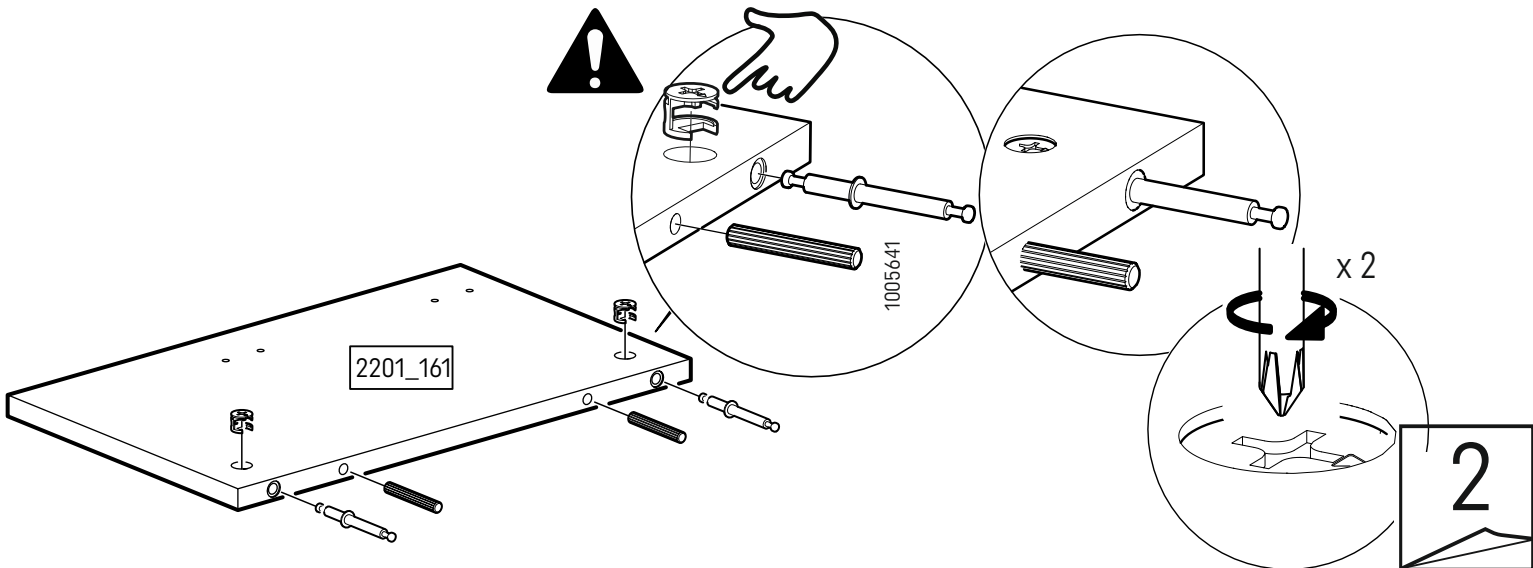
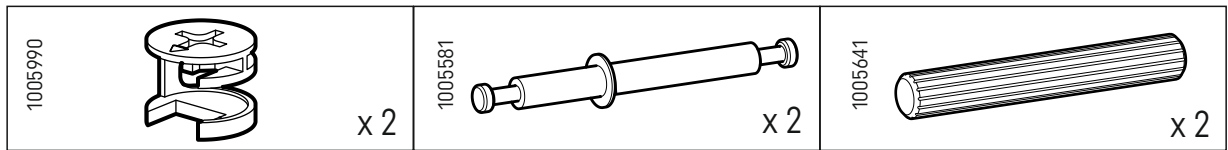
2




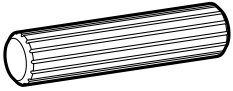
3

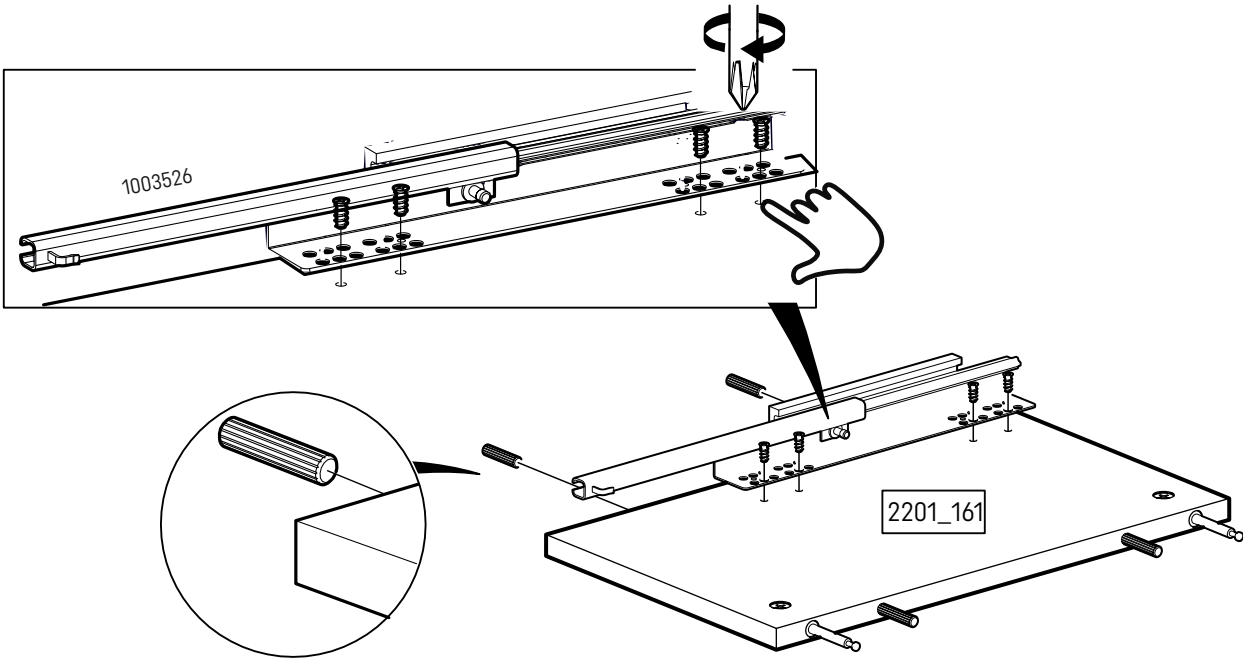


4

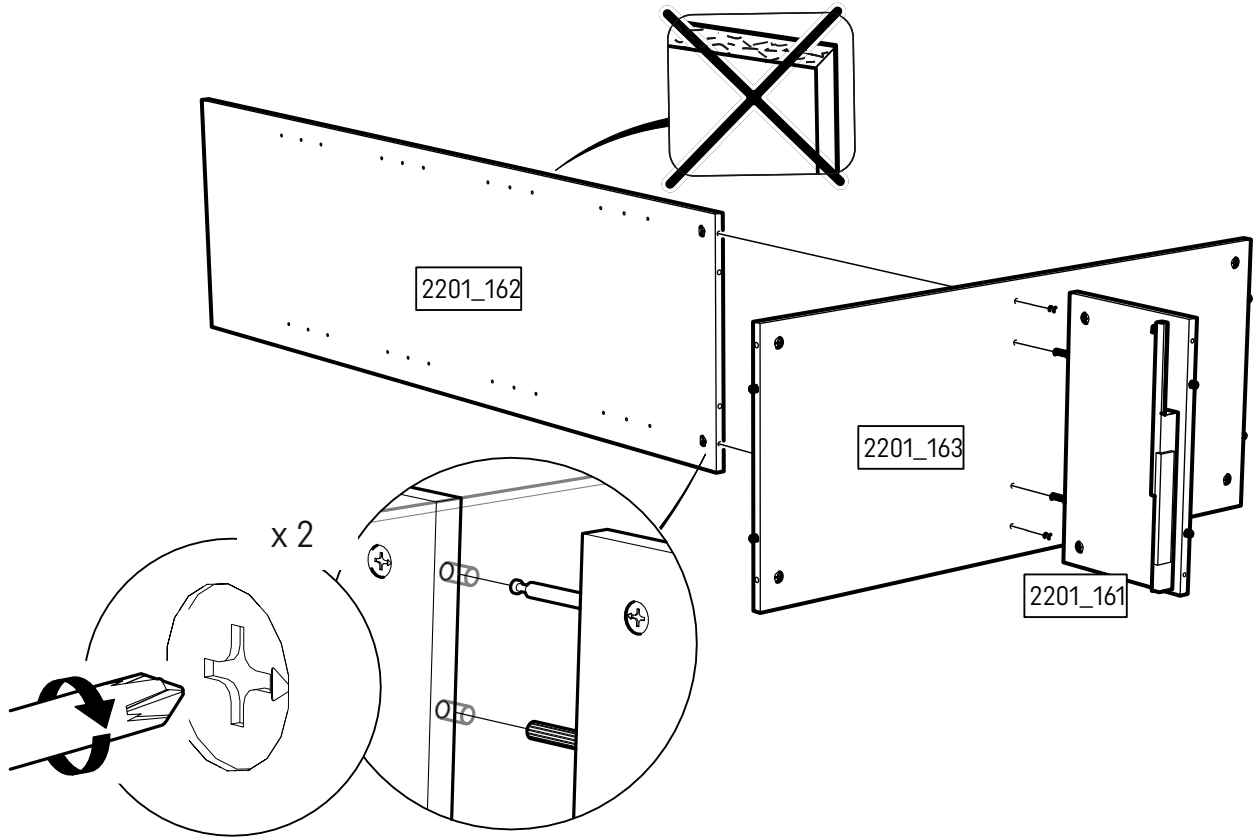


5

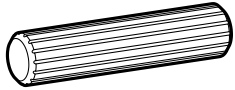
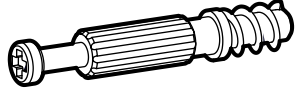

1005713		x 4	1005857		x 2
---------	--	-----	---------	--	-----

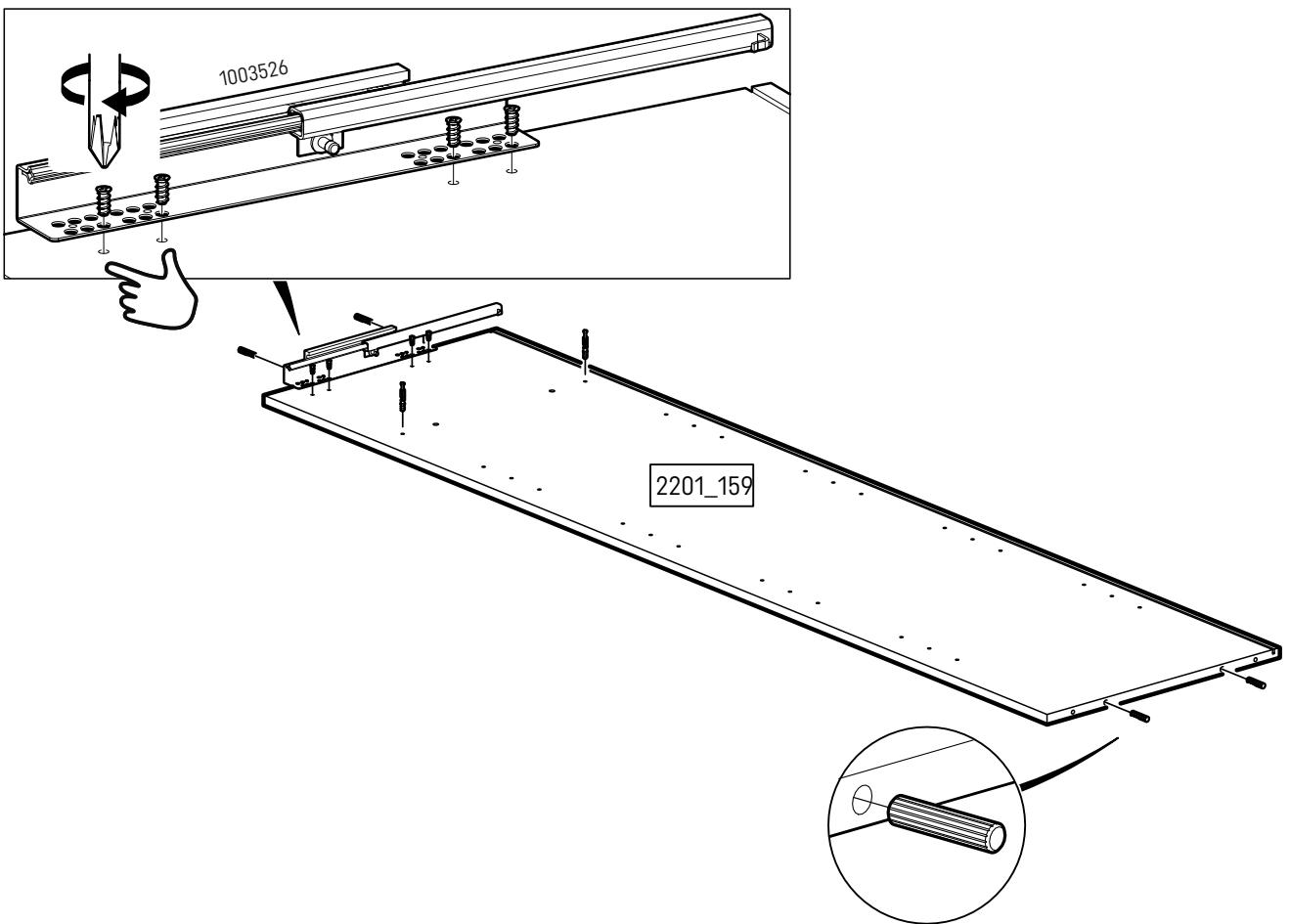


6

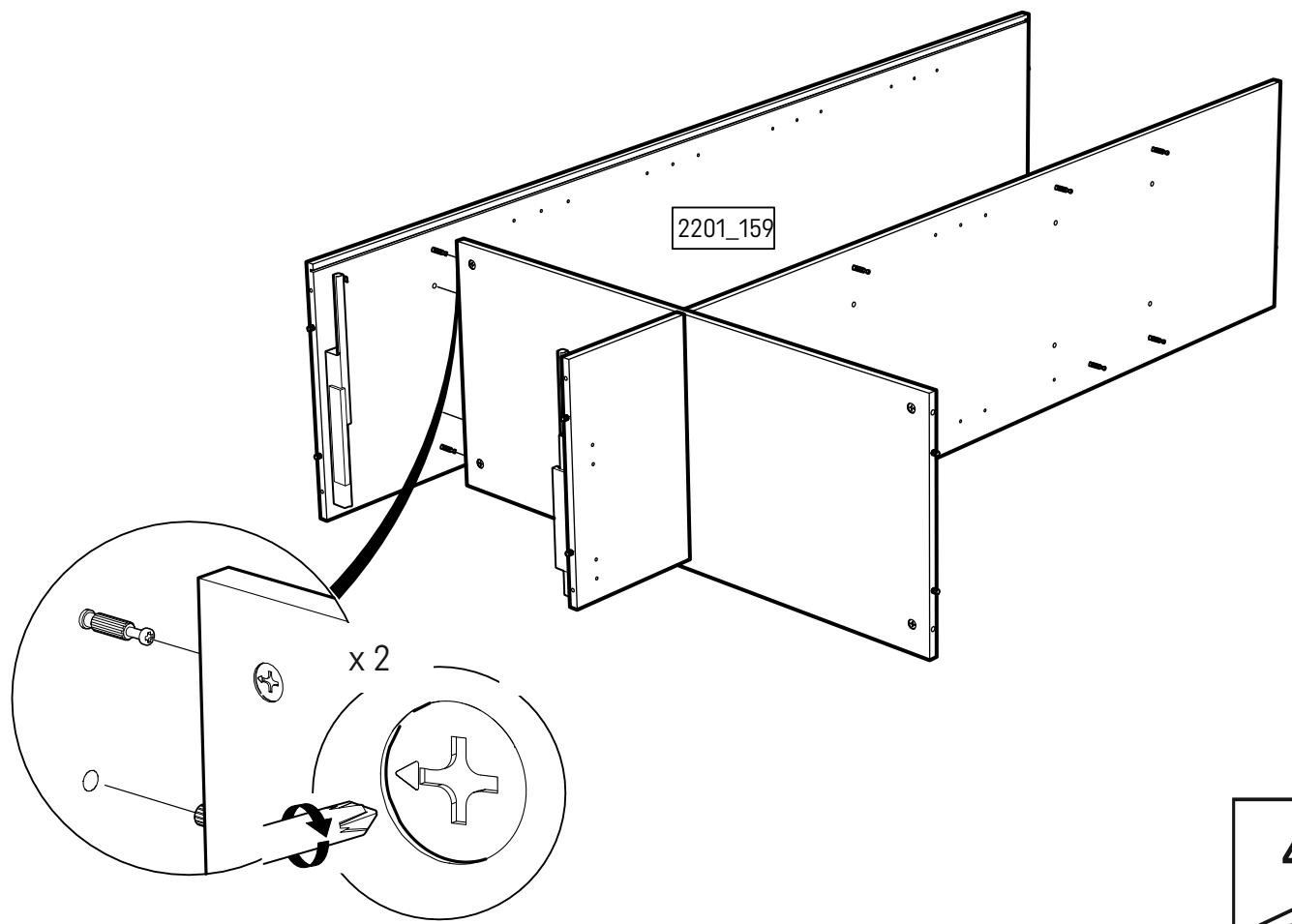


7

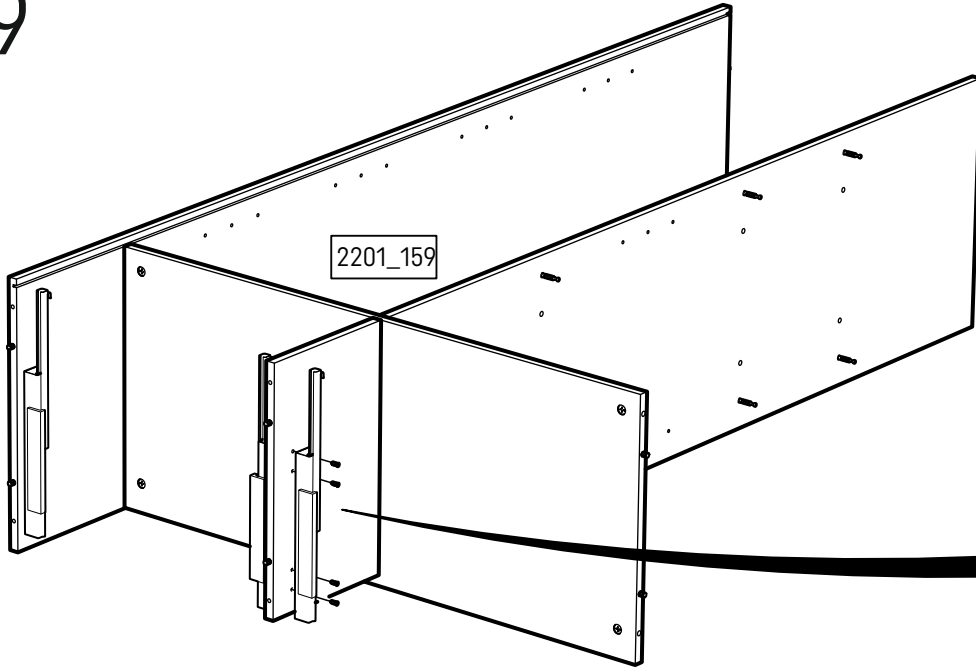
1005857		x 4	1006091		x 2	1005713		x 4
---------	--	-----	---------	---	-----	---------	--	-----



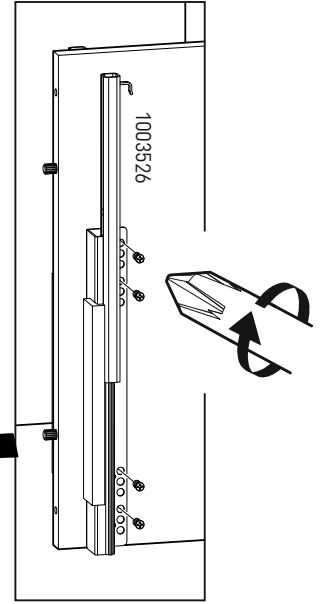
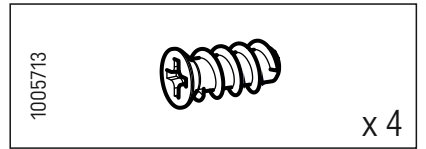
8



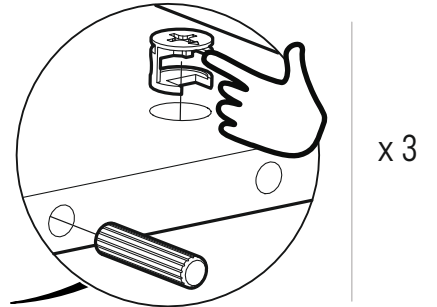
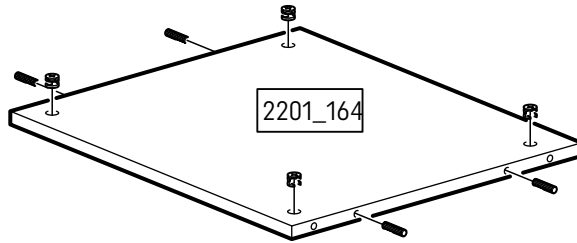
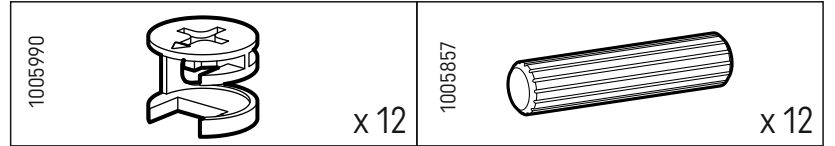
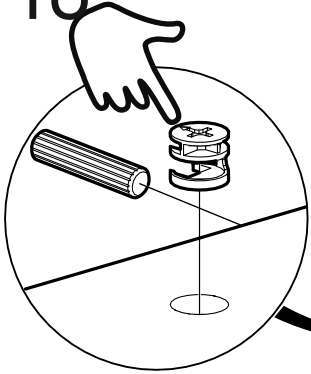
9



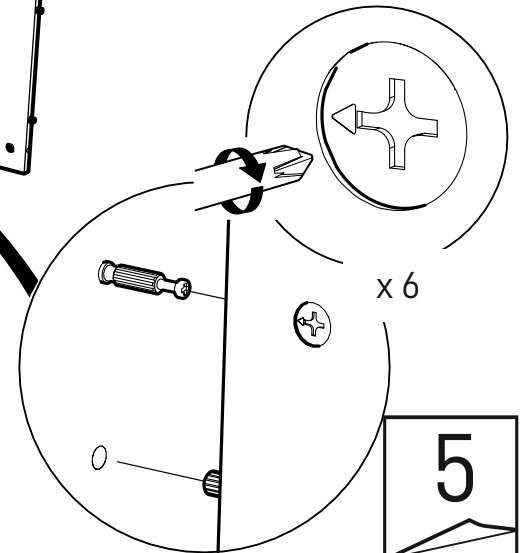
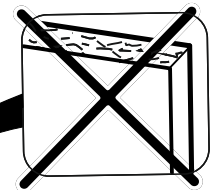
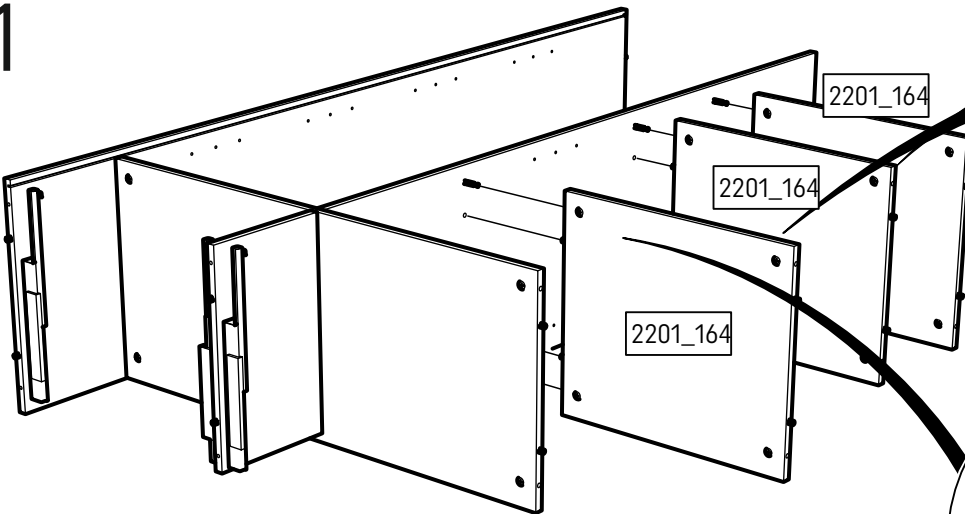
2201\_159



10

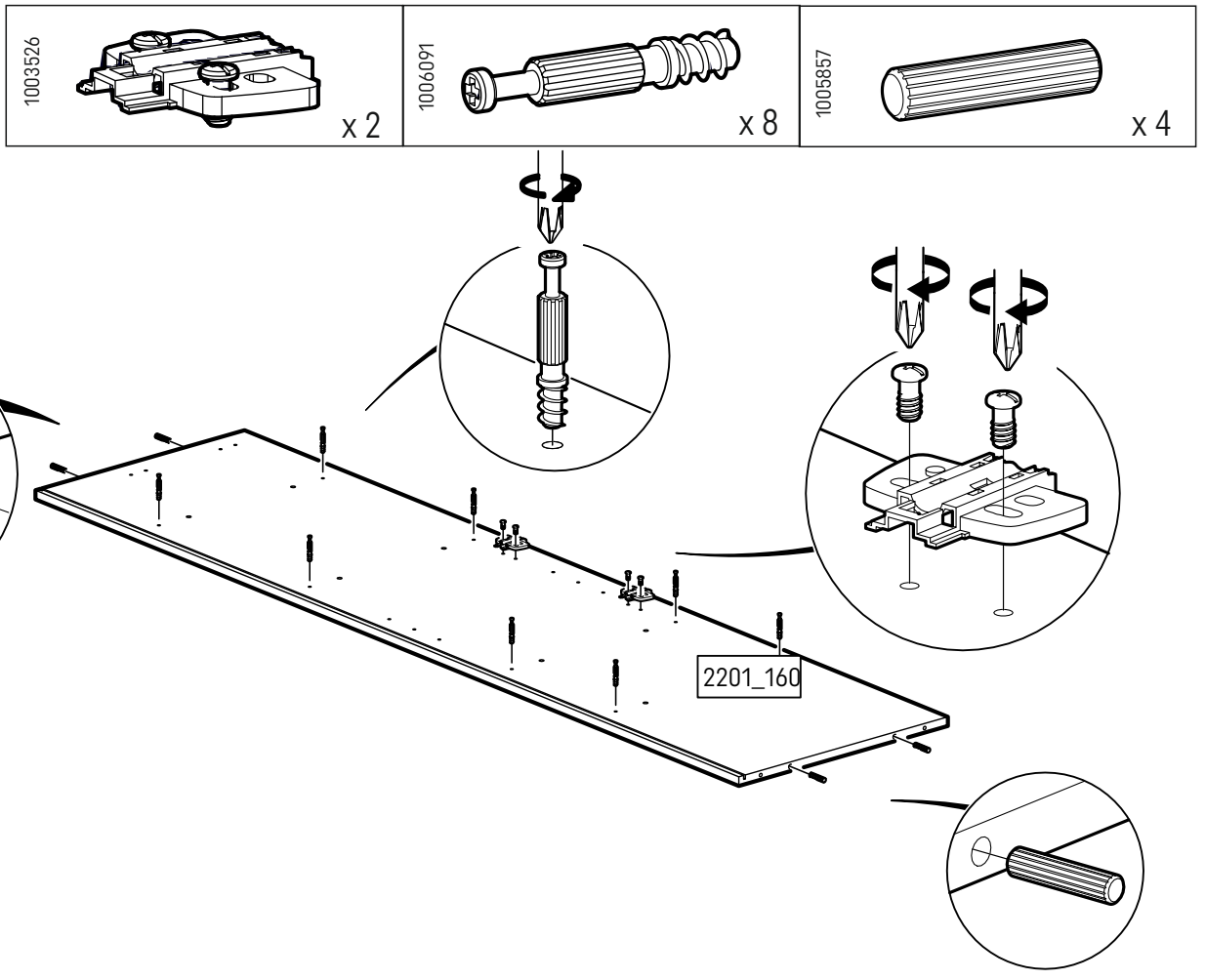


11

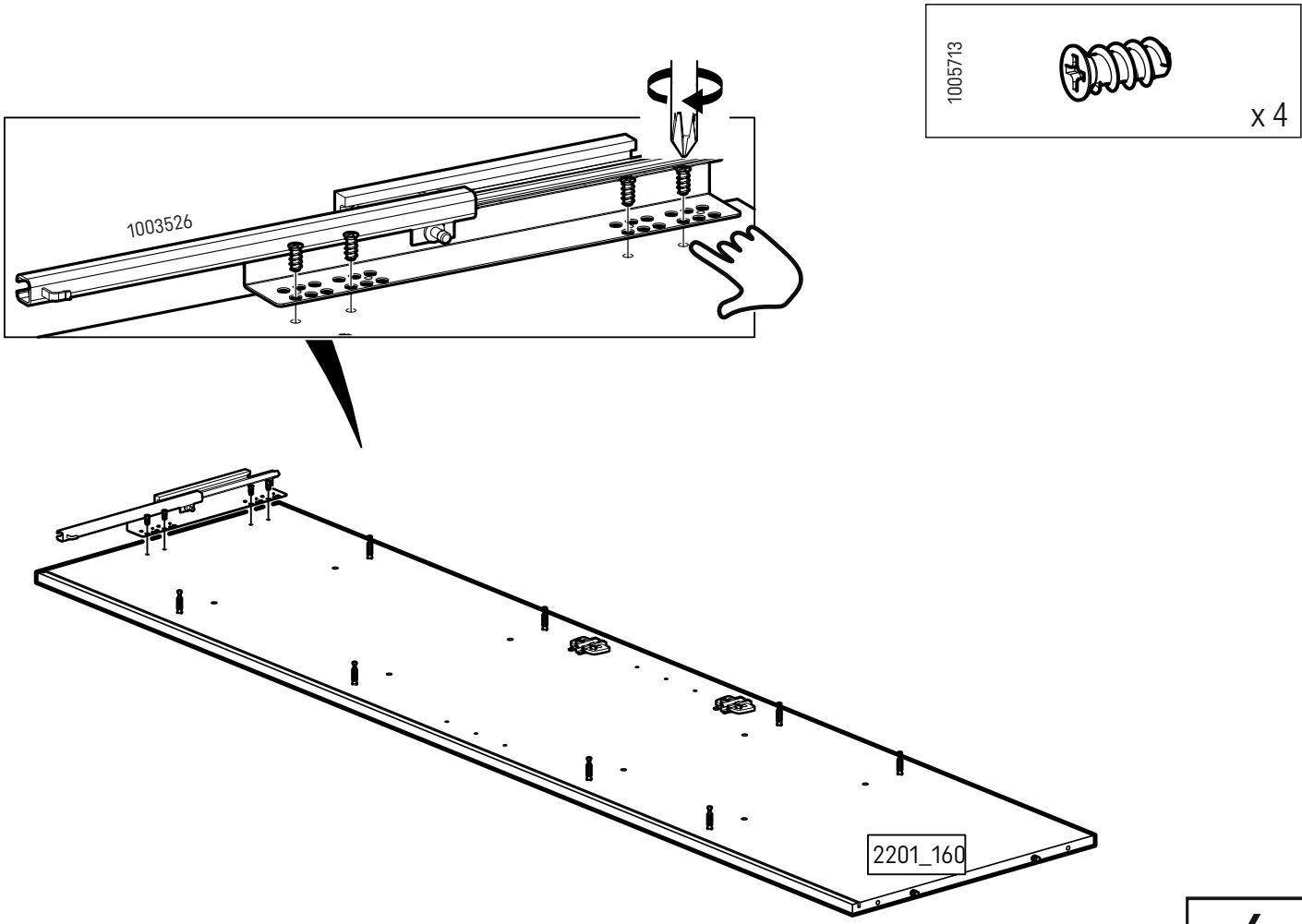


5

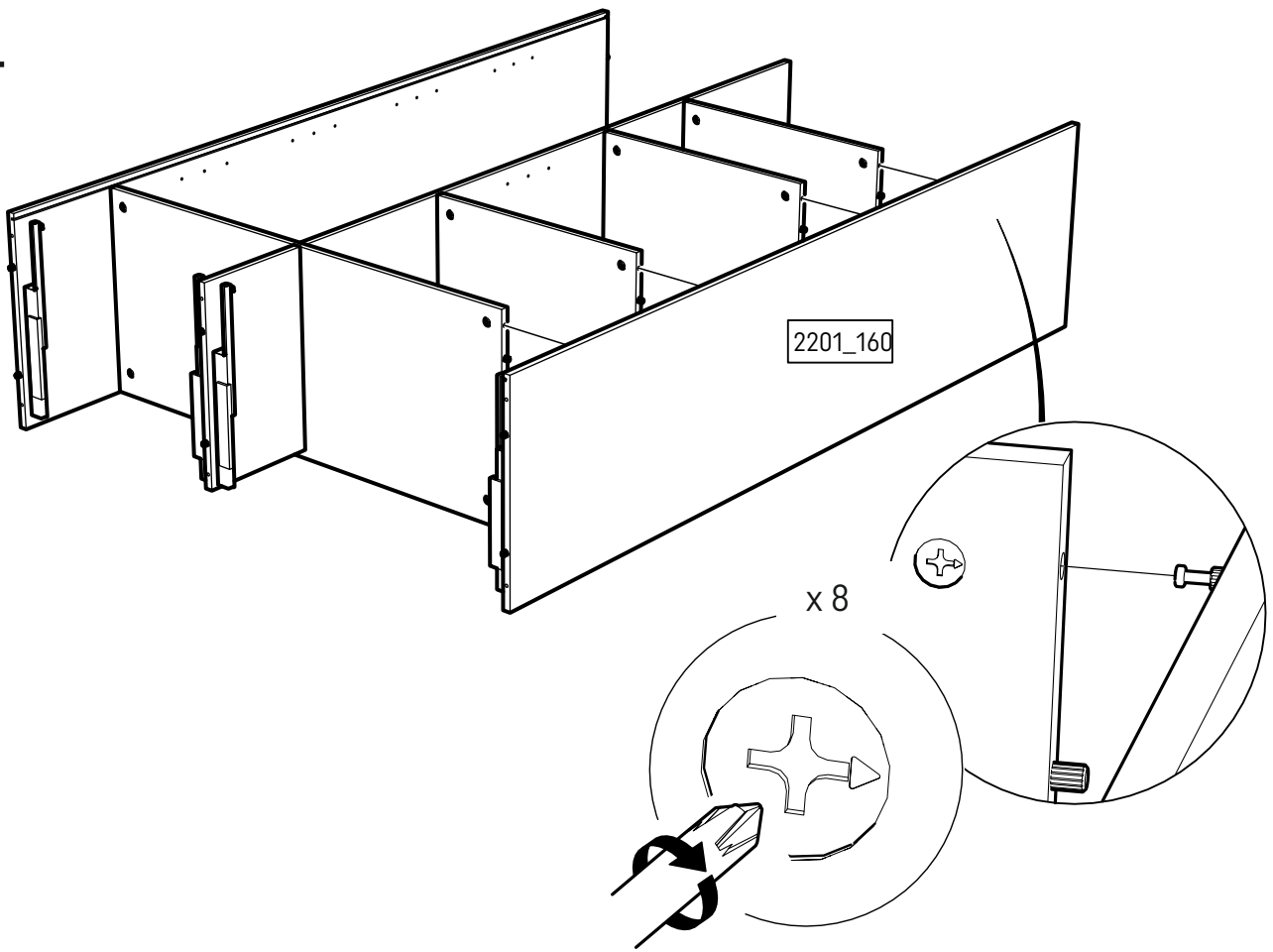
12



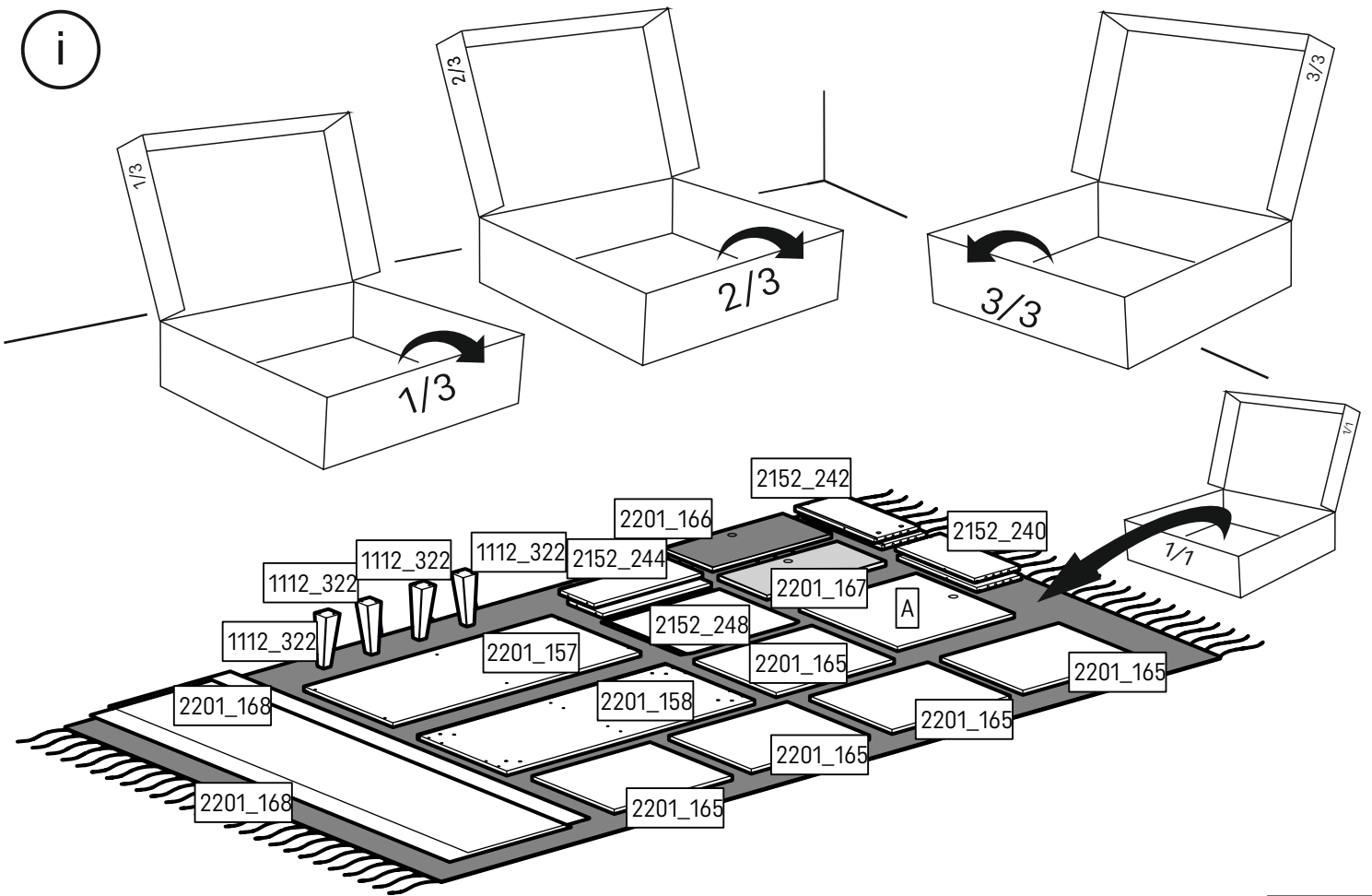
13



14



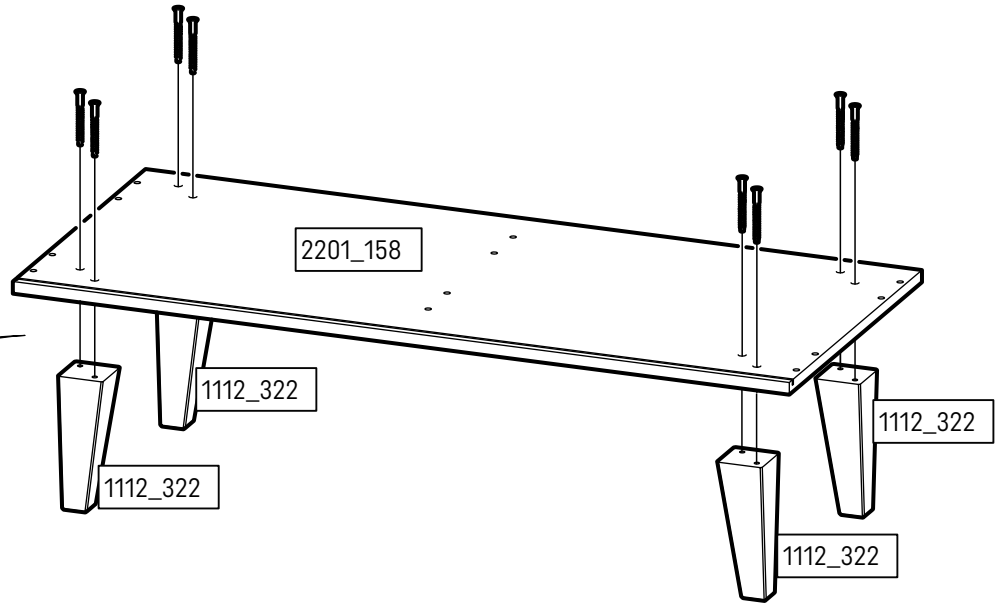
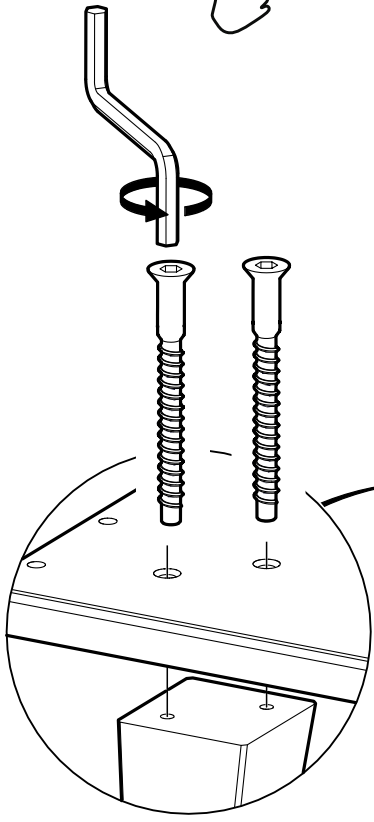
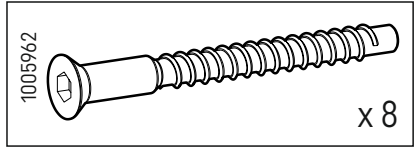
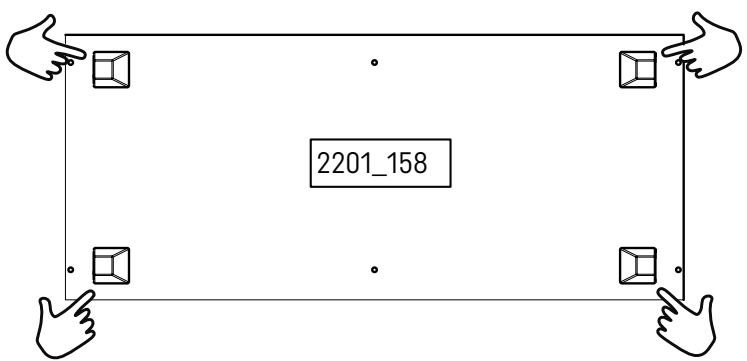
i



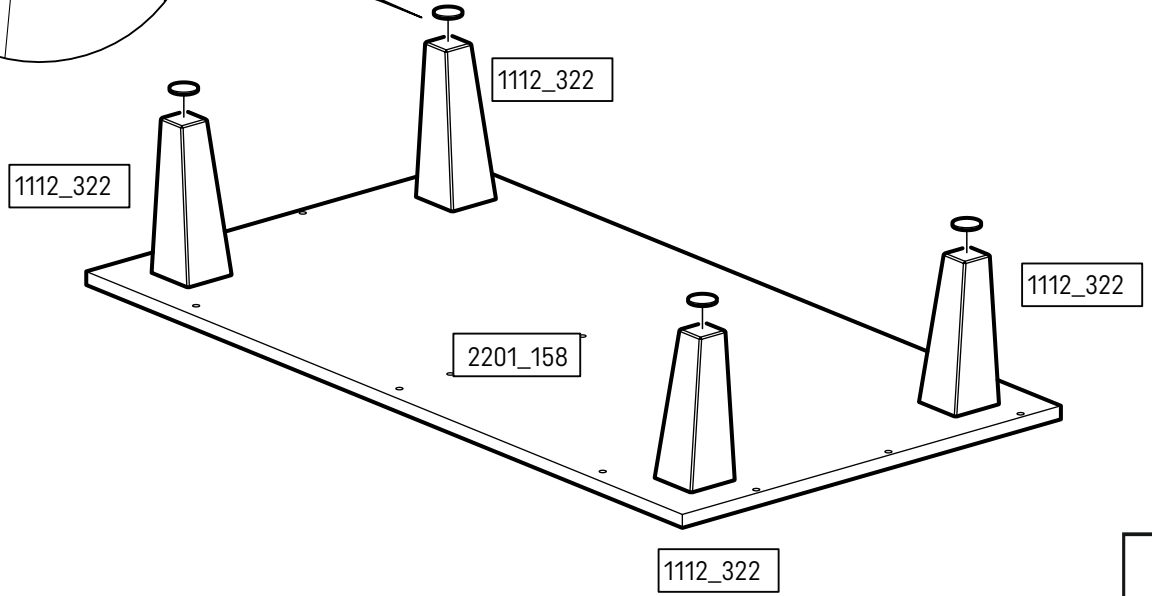
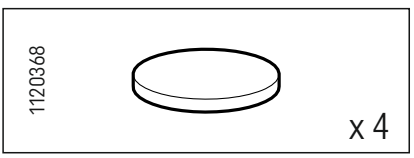
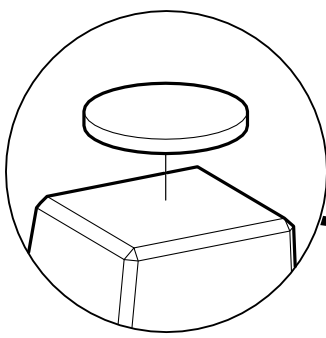
7

15

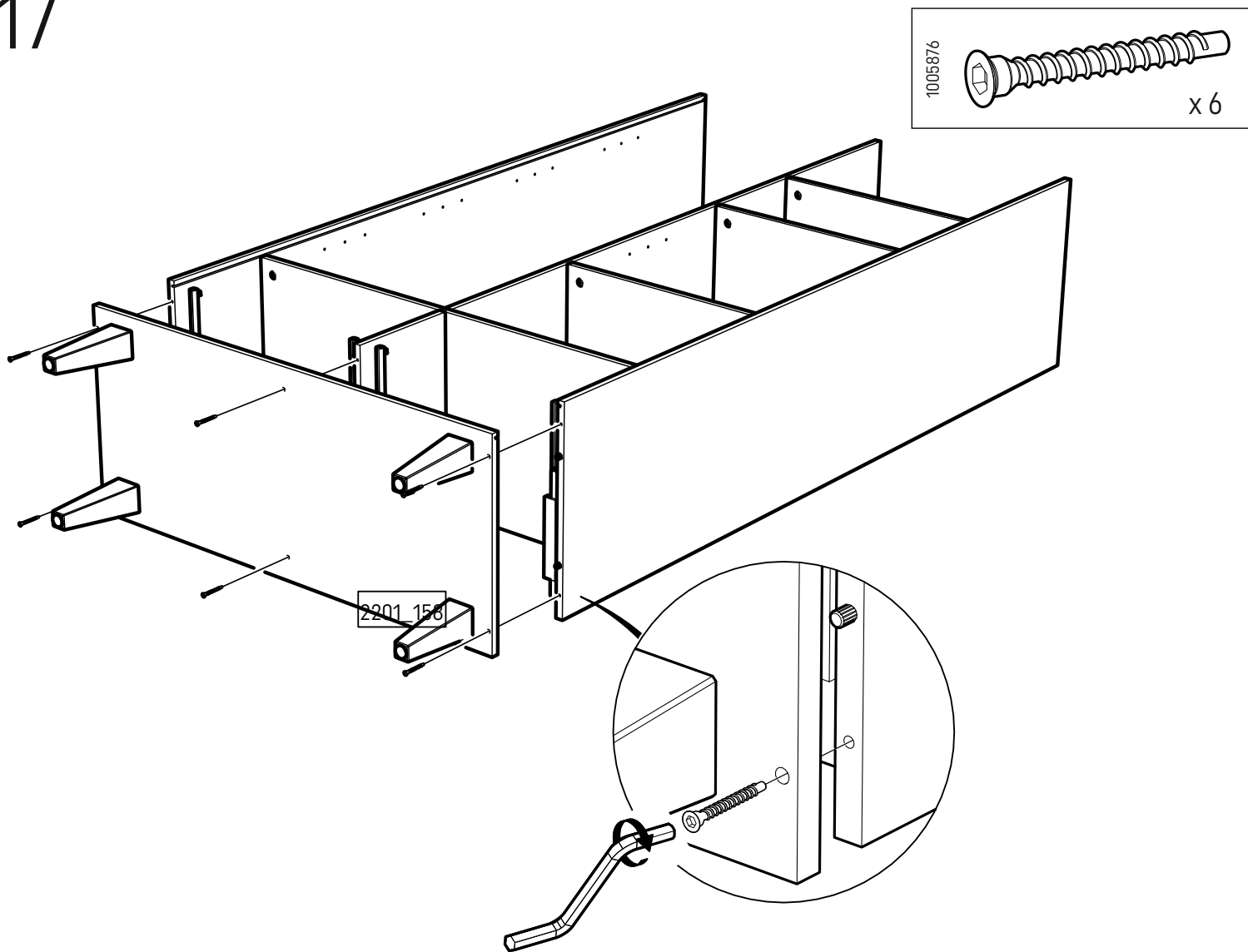
i



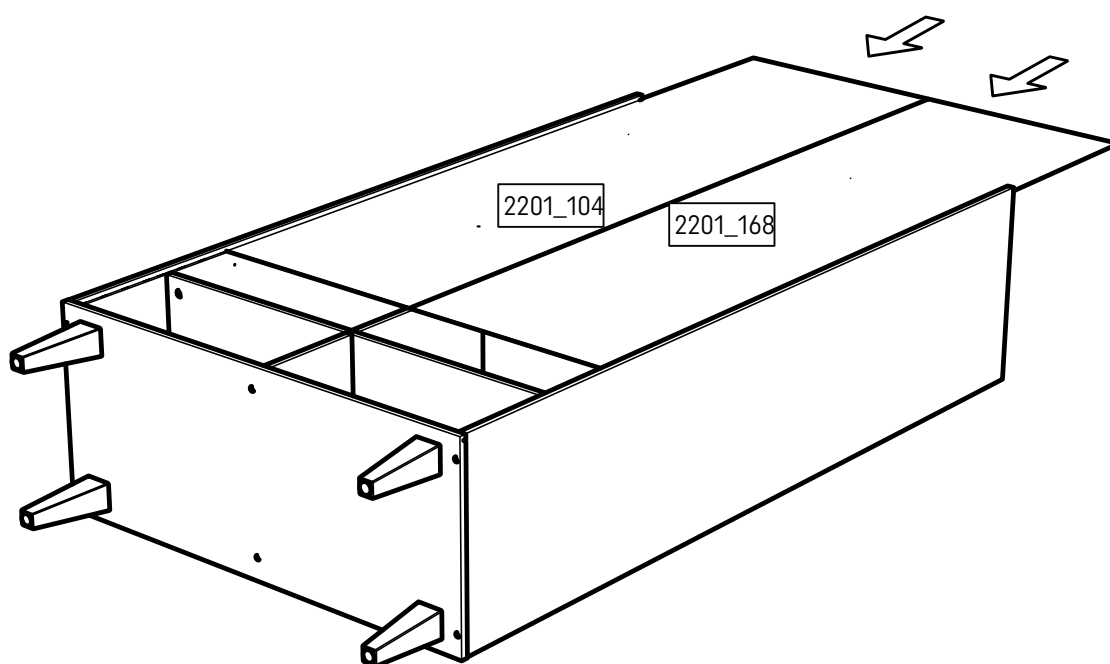
16



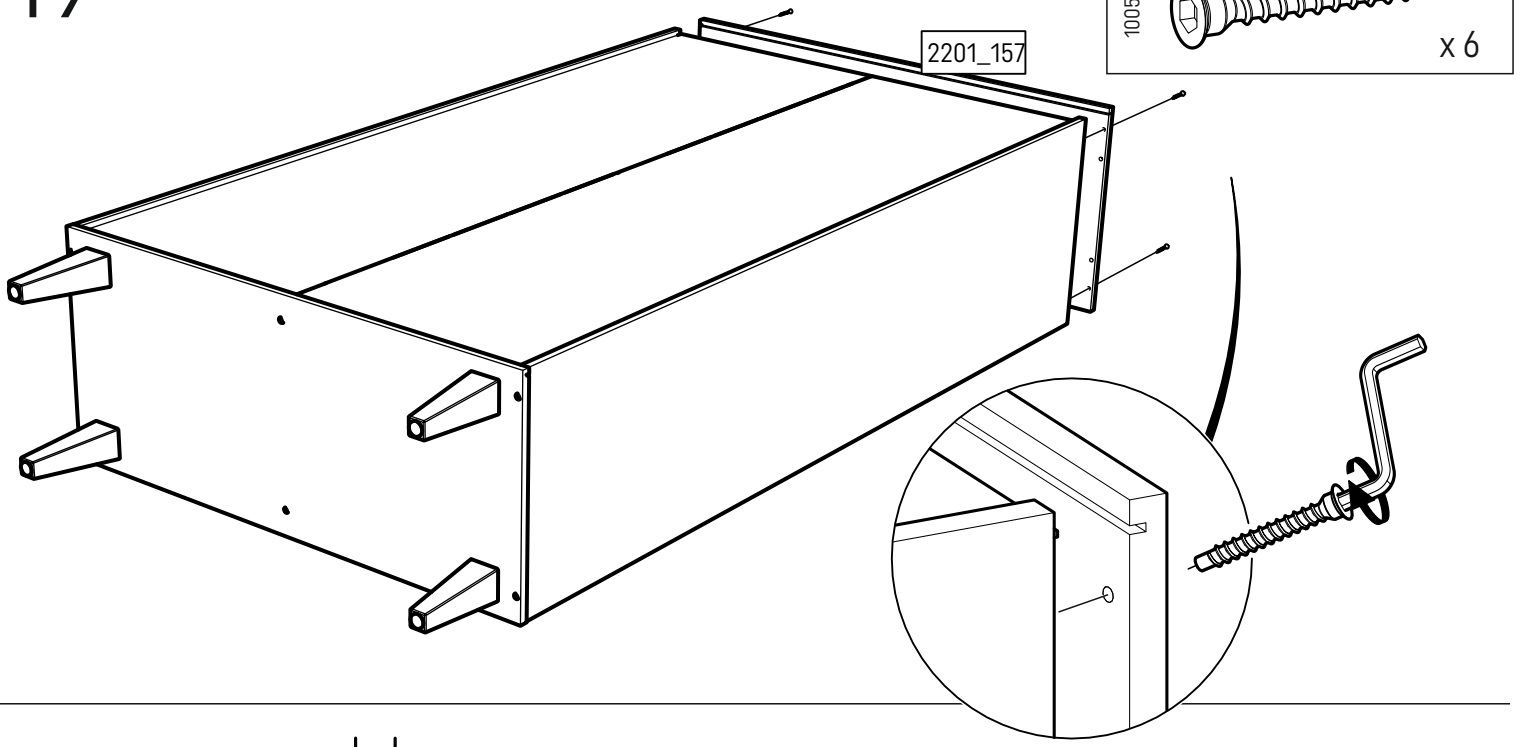
17



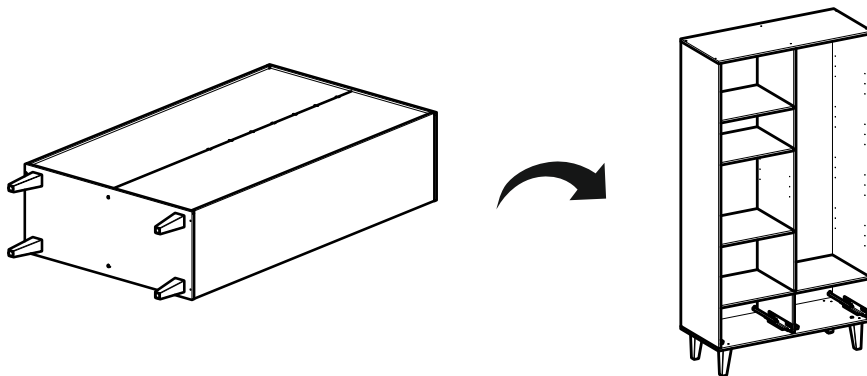
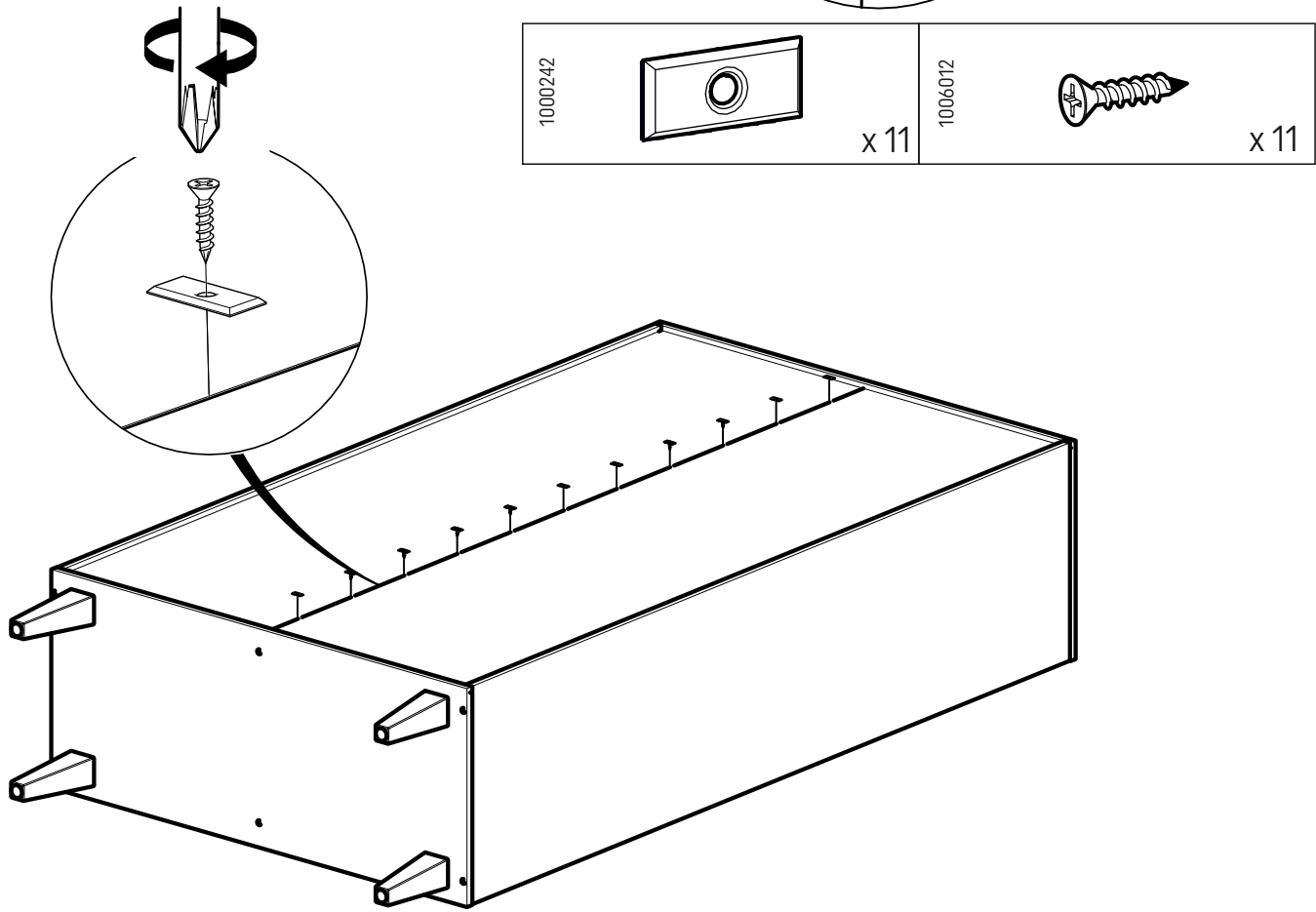
18



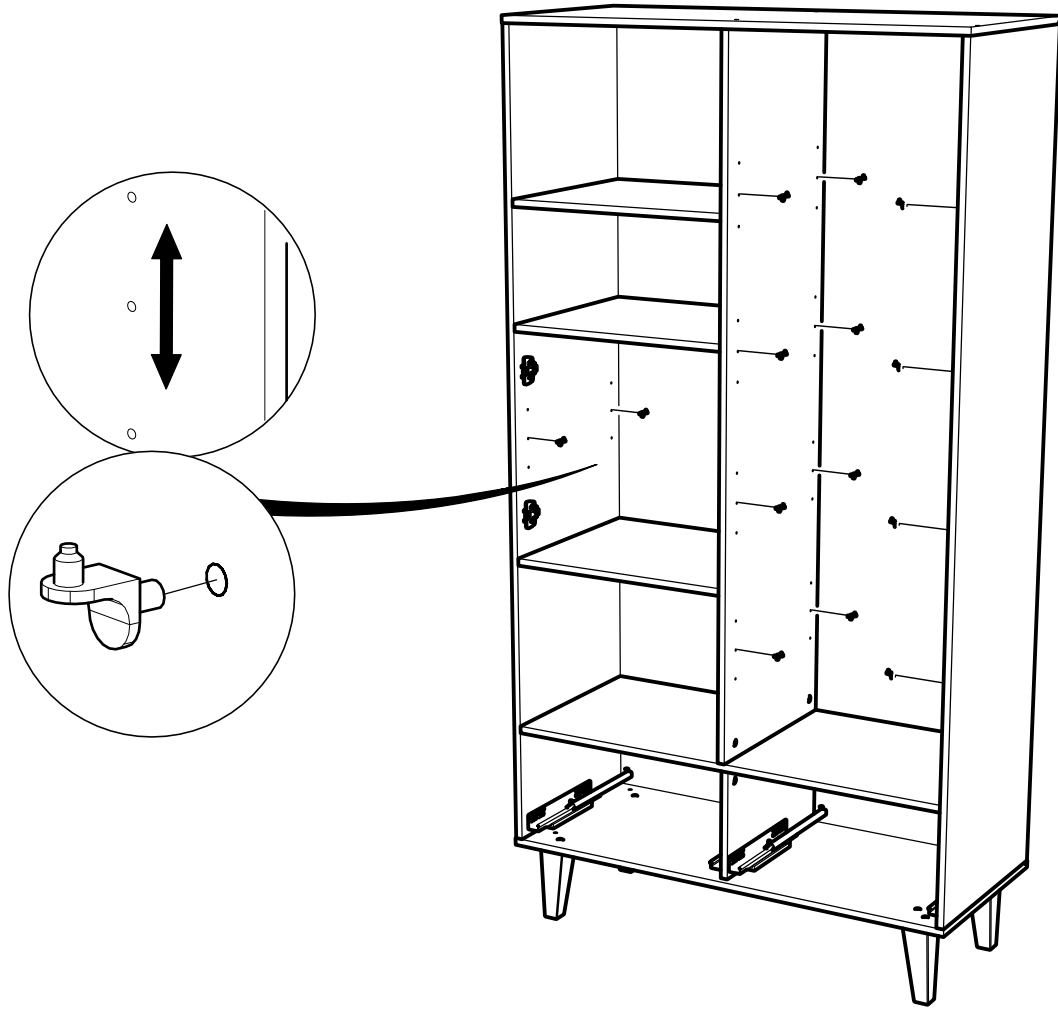
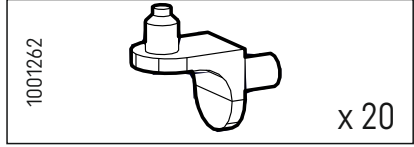
19



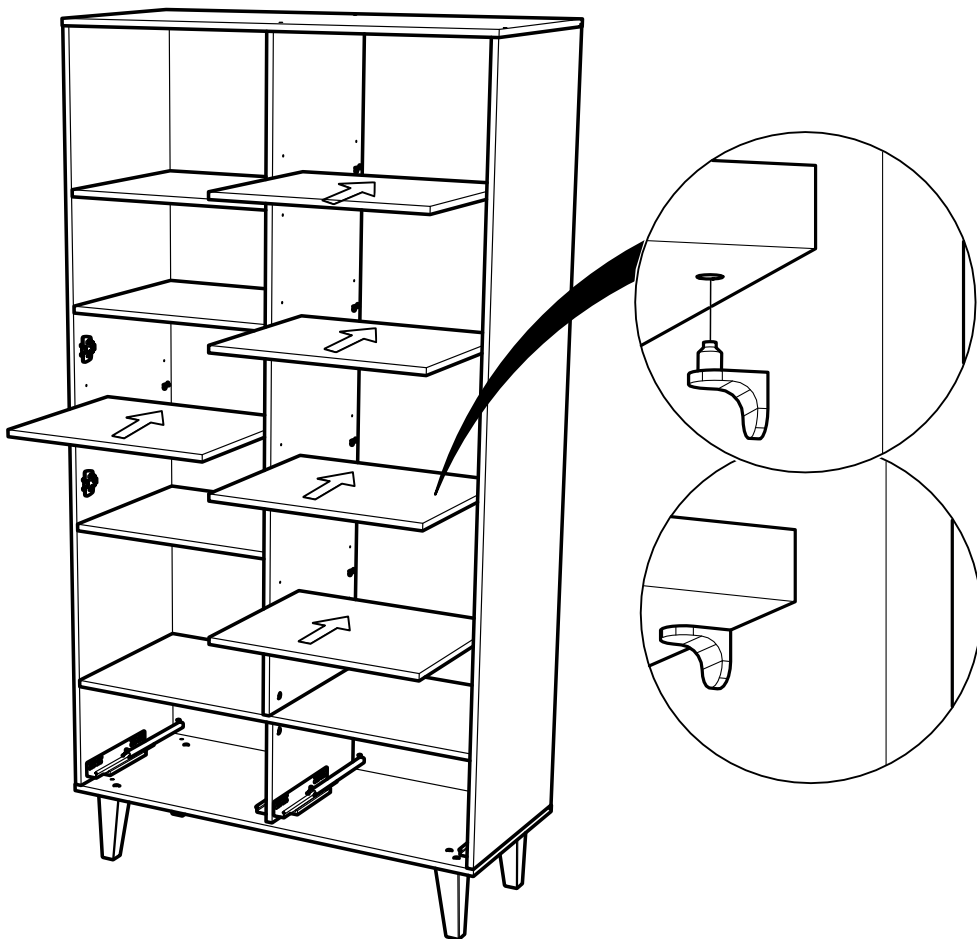
20



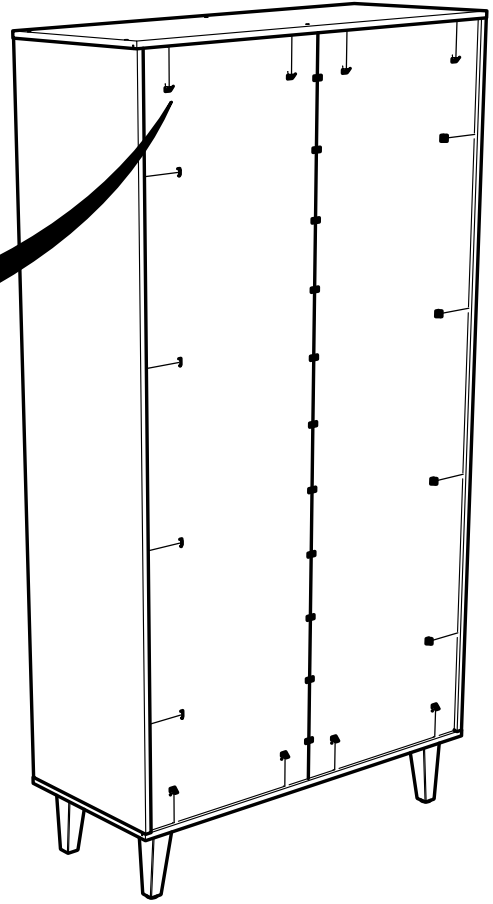
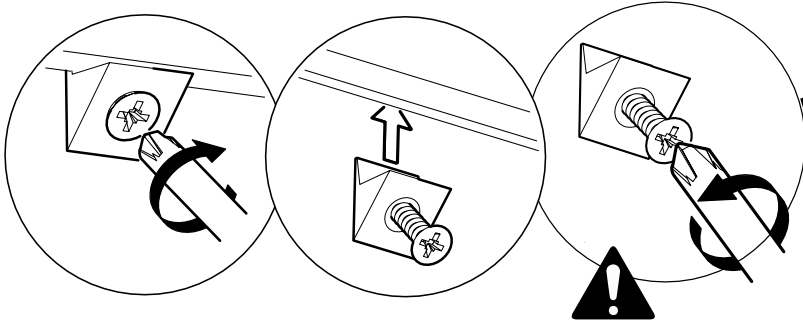
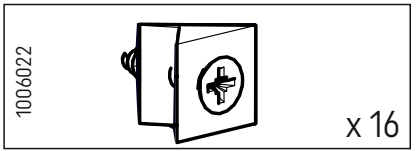
21



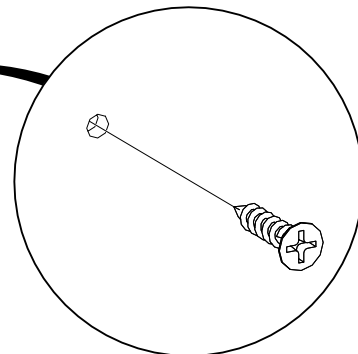
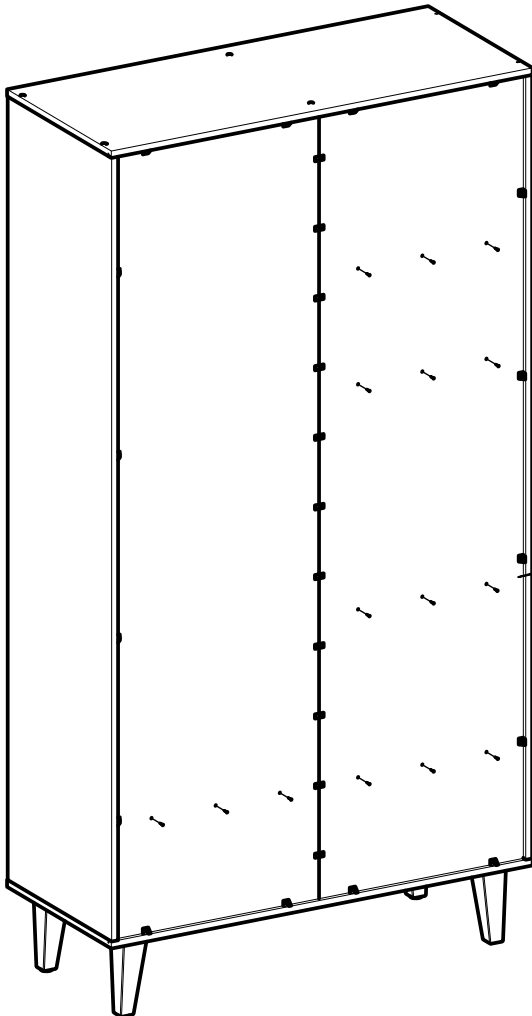
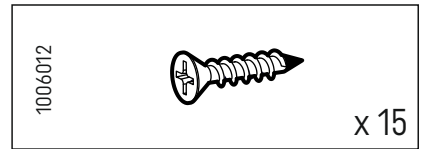
22



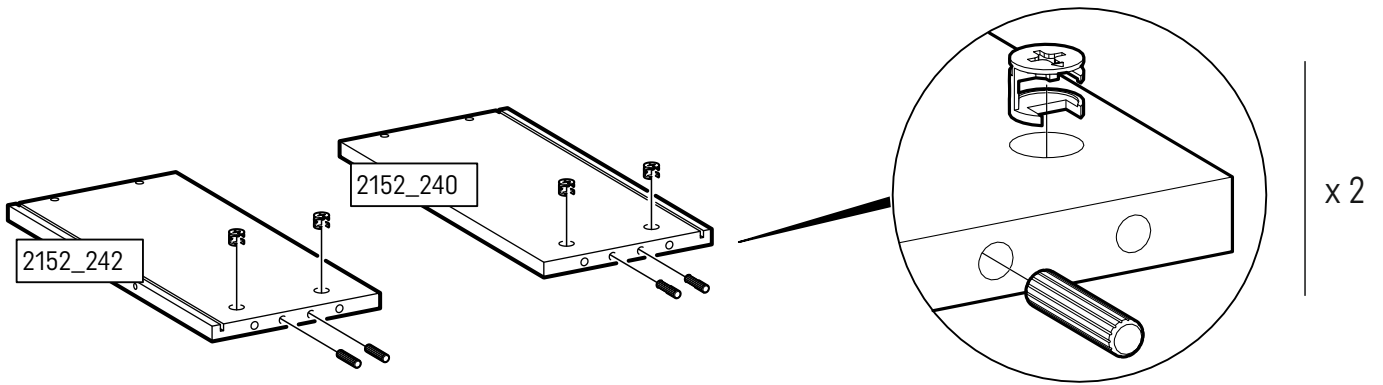
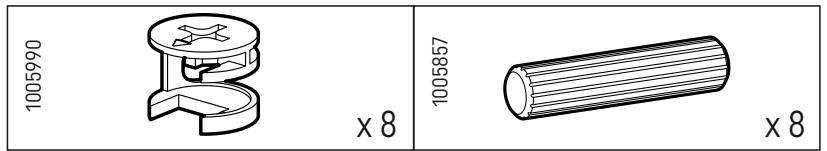
23



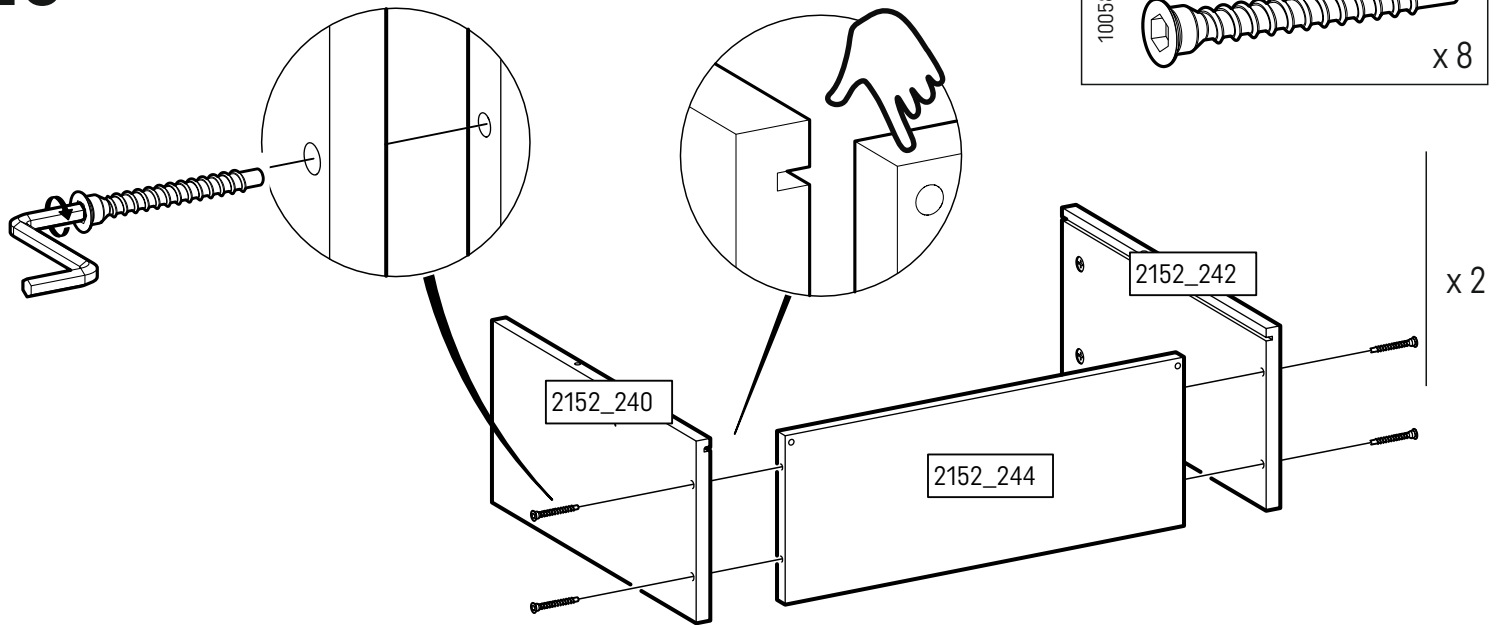
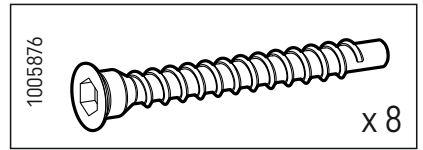
24



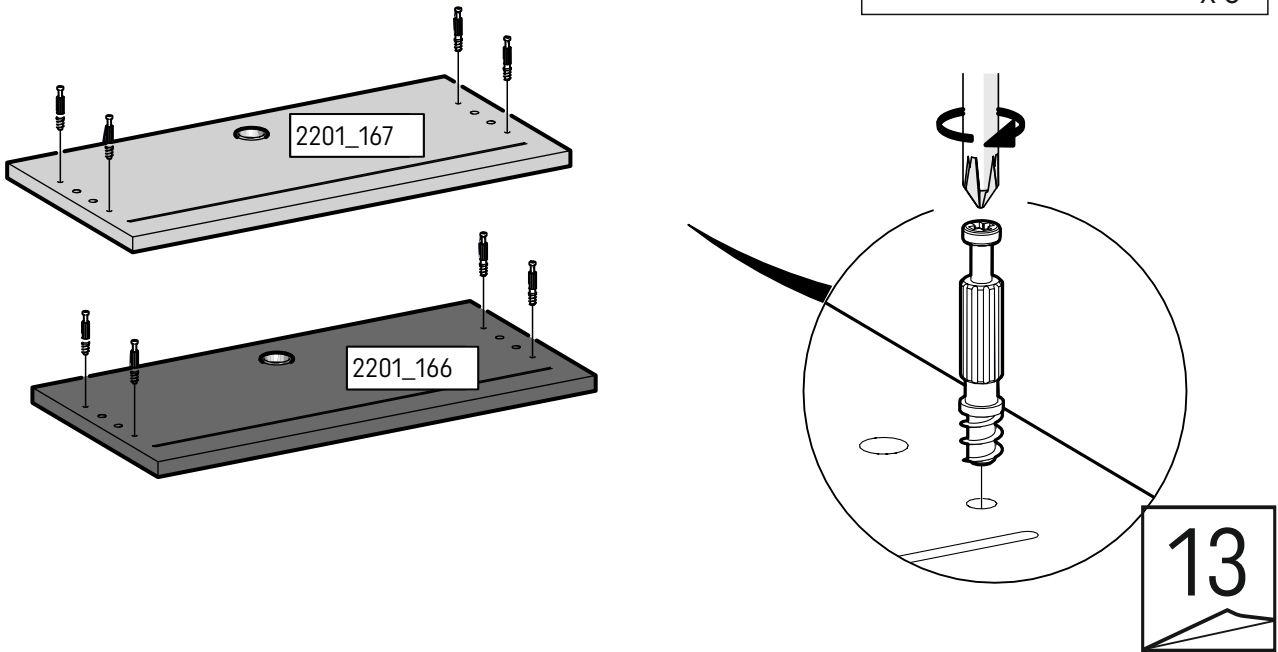
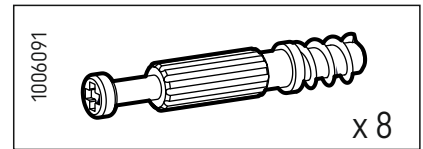
25



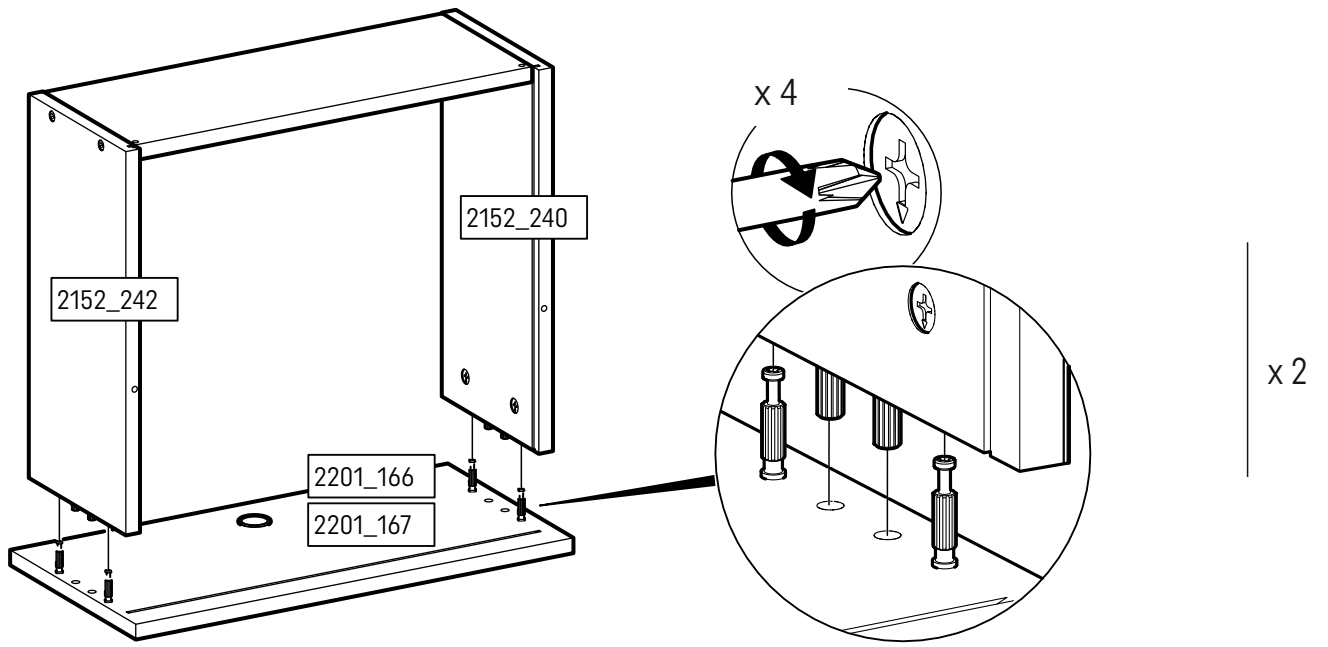
26



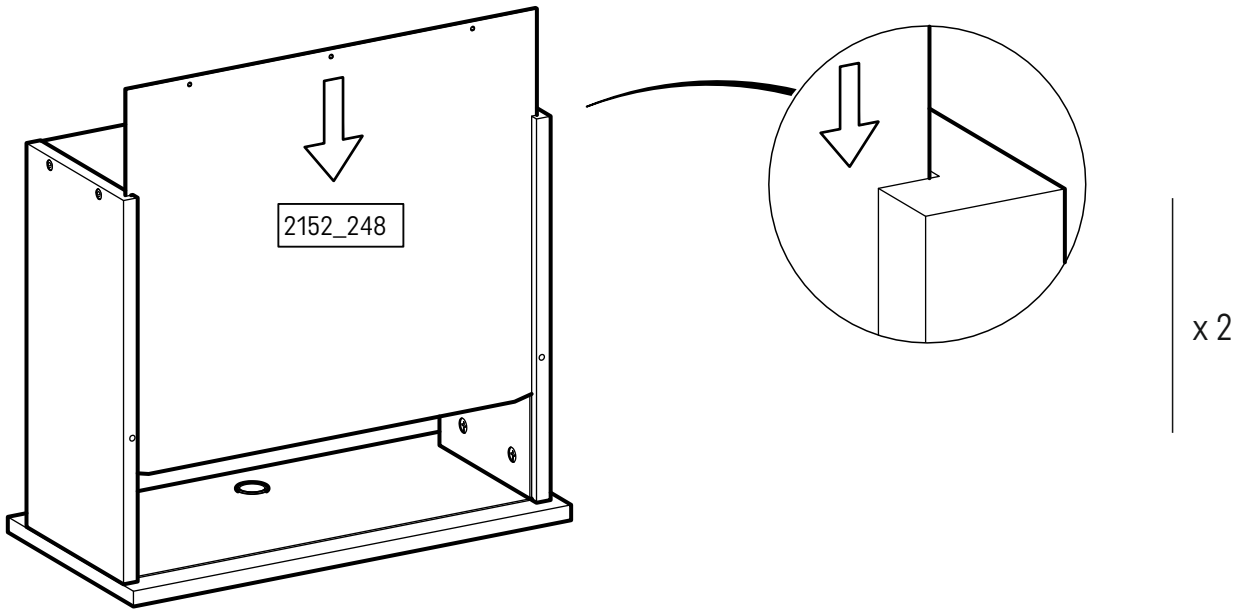
27



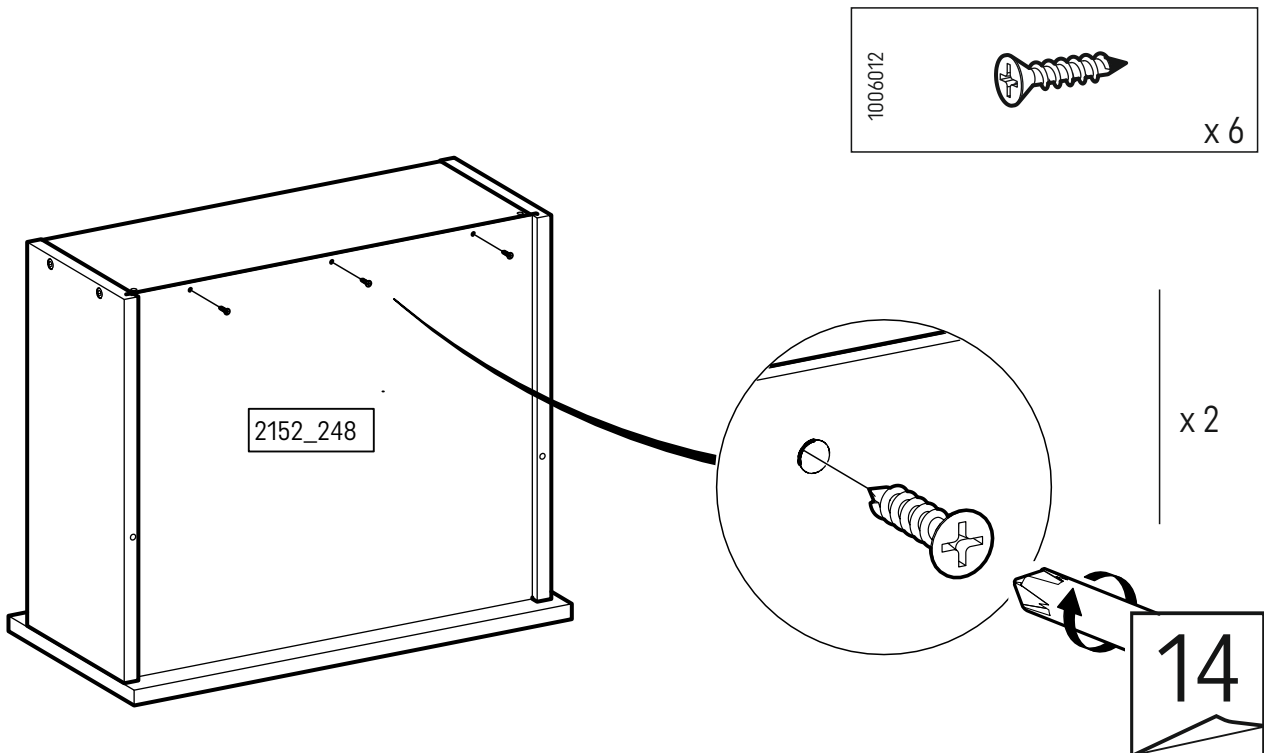
28

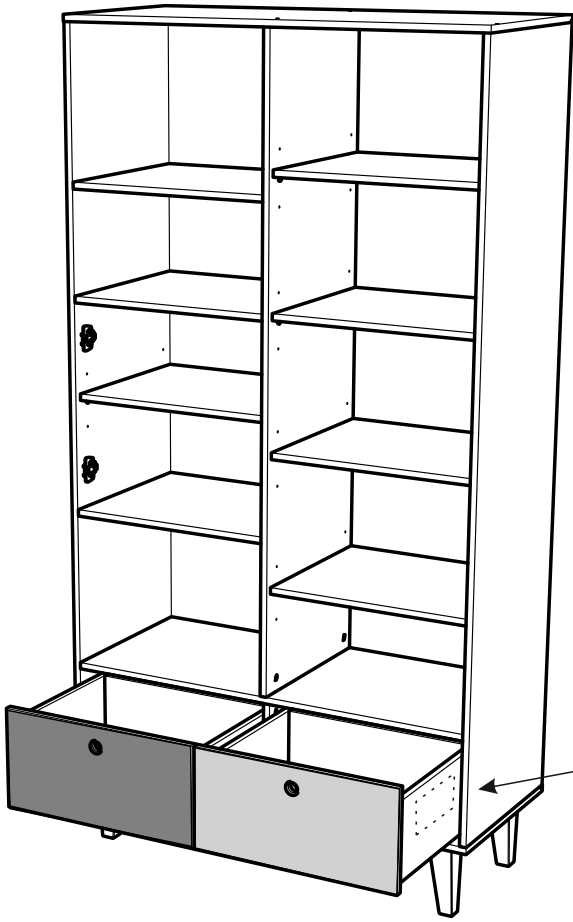


29



30

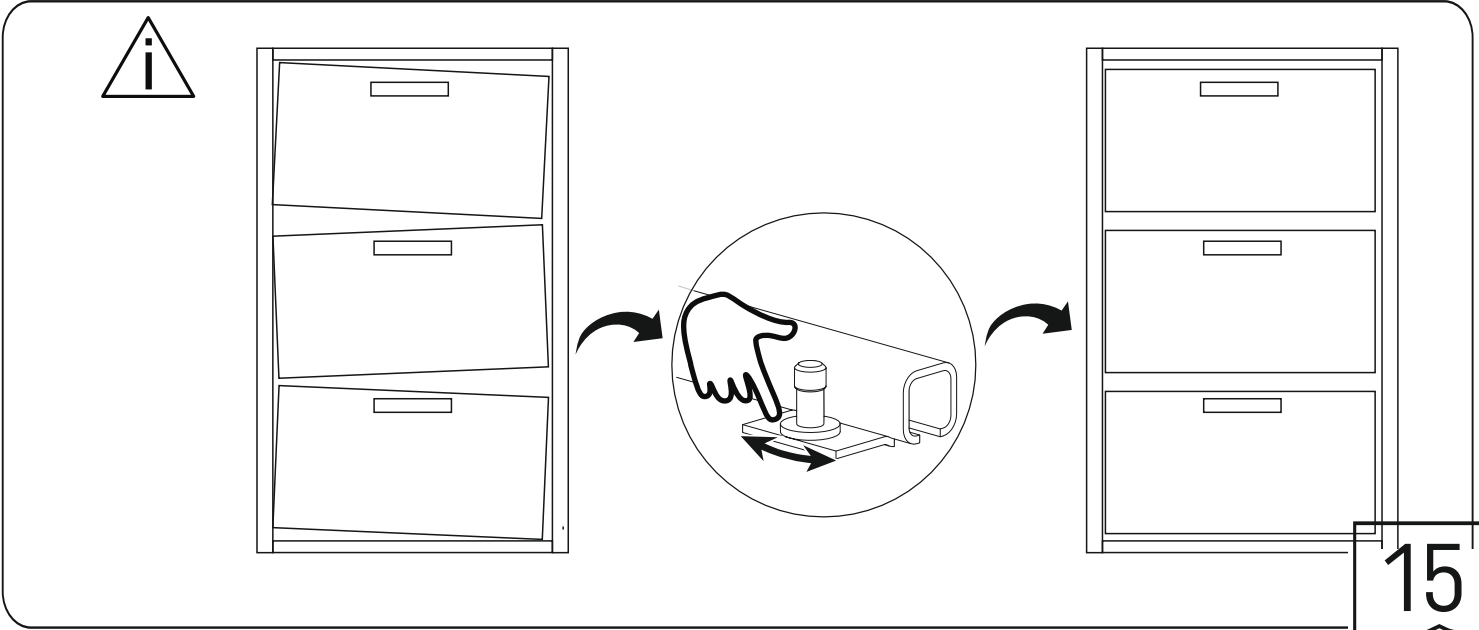
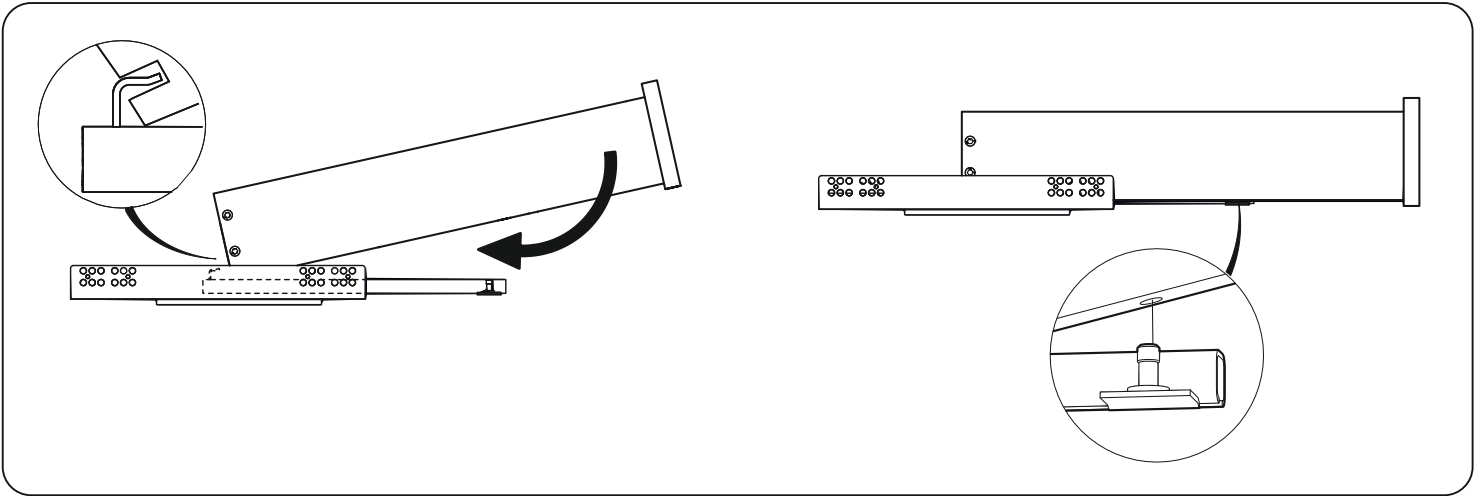




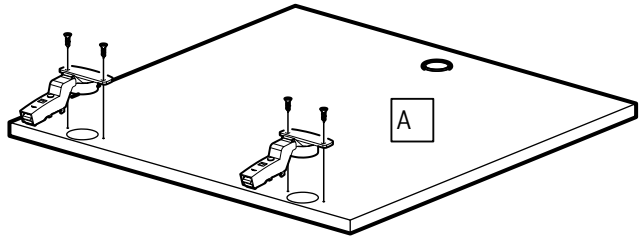
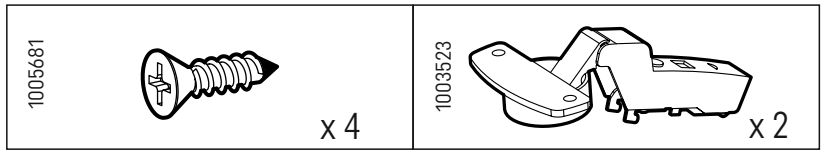
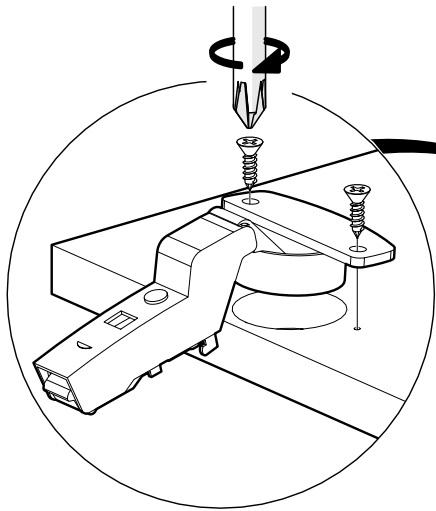
**WARNING**  
 Serious or fatal crushing injuries can occur from furniture tip-over. To help prevent tip-over:

- Install tipover restraint provided.
- Place heaviest items in the lower drawers.
- Unless specifically designed to accommodate, do not set TVs or other heavy objects on top of this product.
- Never allow children to climb or hang on drawers, doors or shelves.
- Never open more than one drawer at a time. (CR)
- Do not defeat or remove the drawer interlock system.

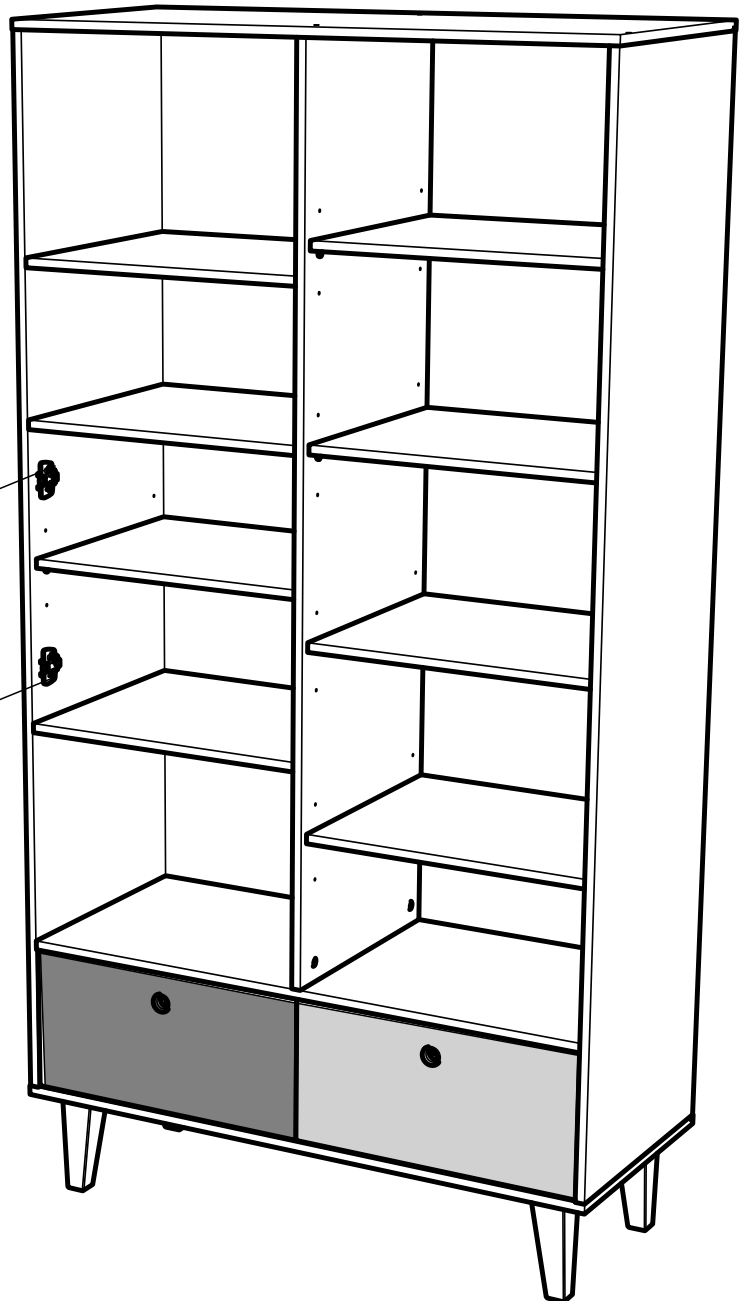
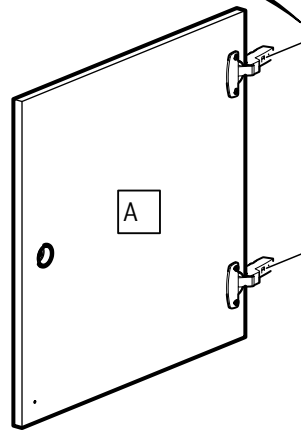
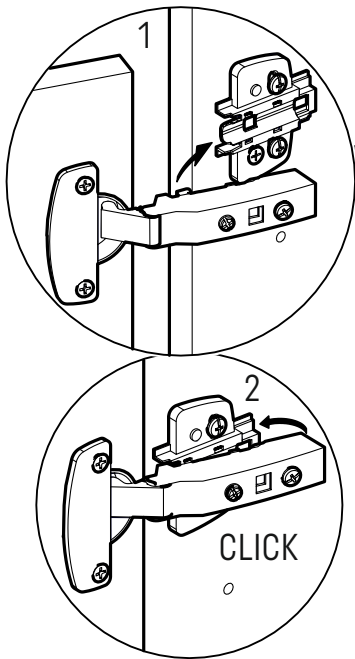
Use of tip-over restraints may only reduce, but not eliminate, the risk of tip-over.  
This is a general warning. Do not attempt to remove.

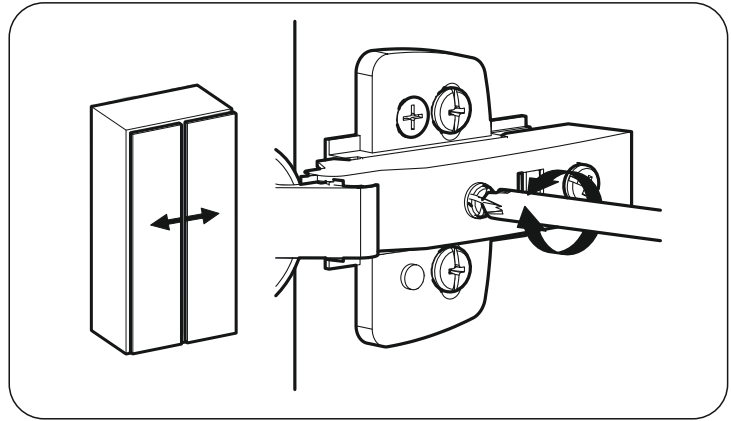
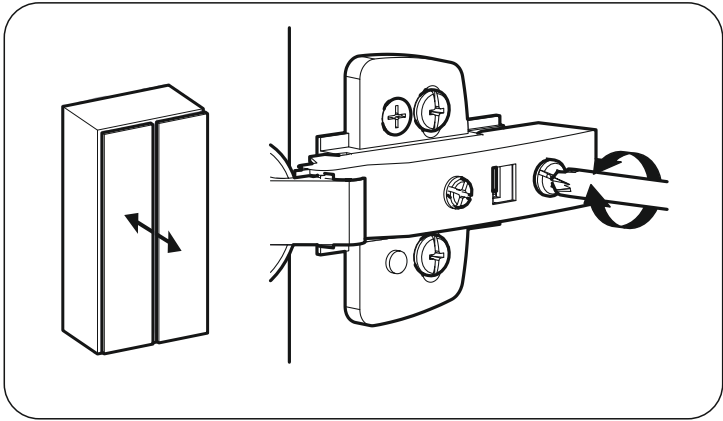
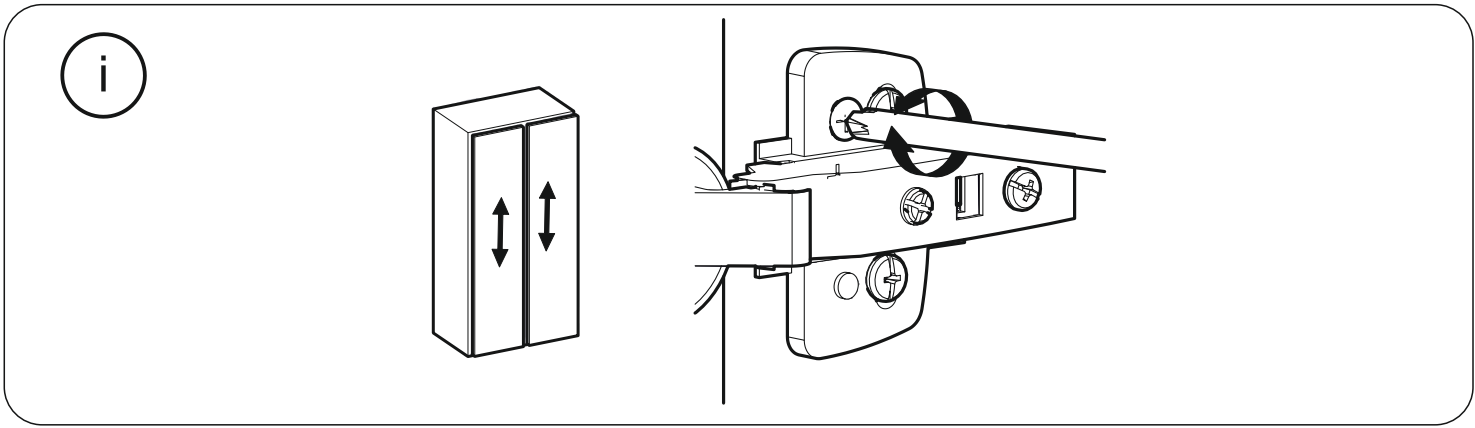


32

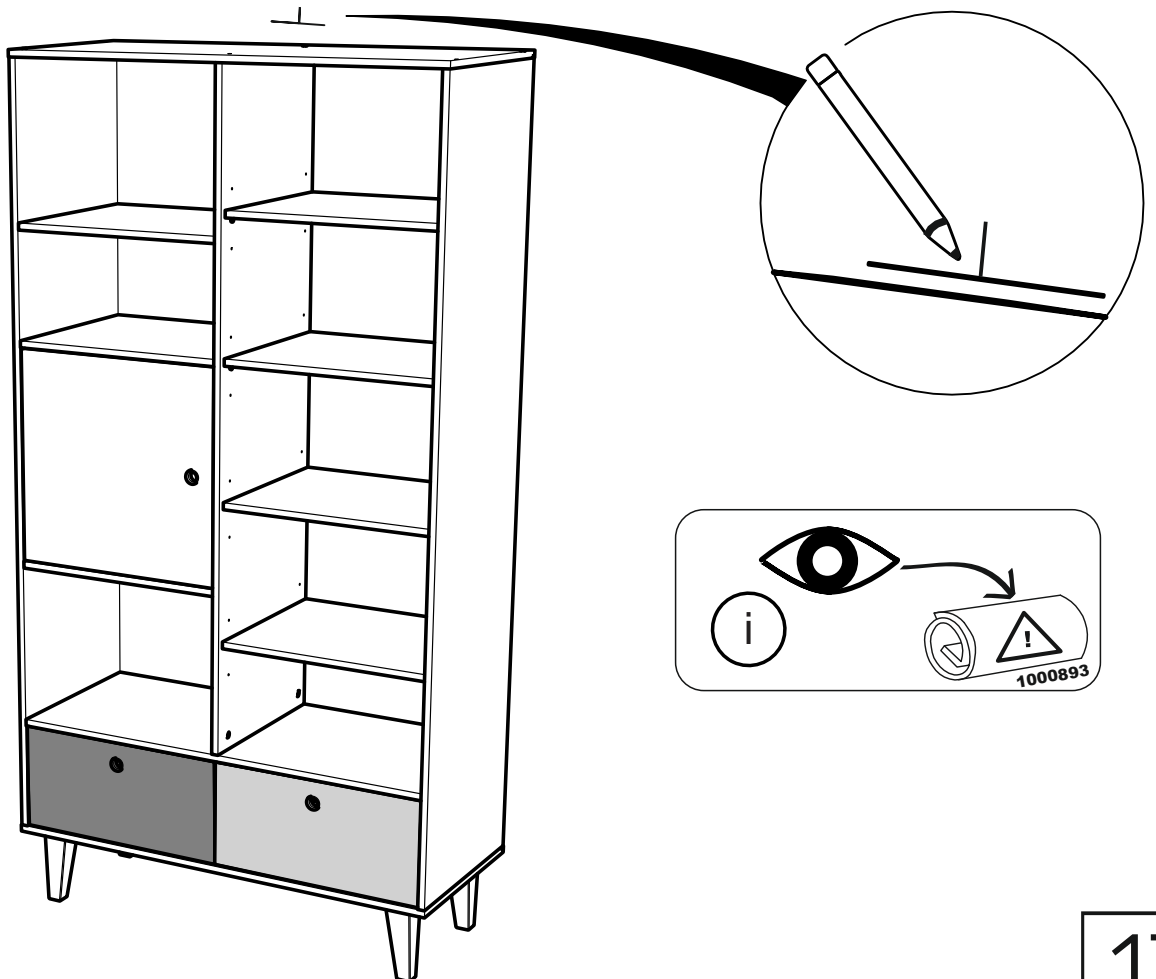


33

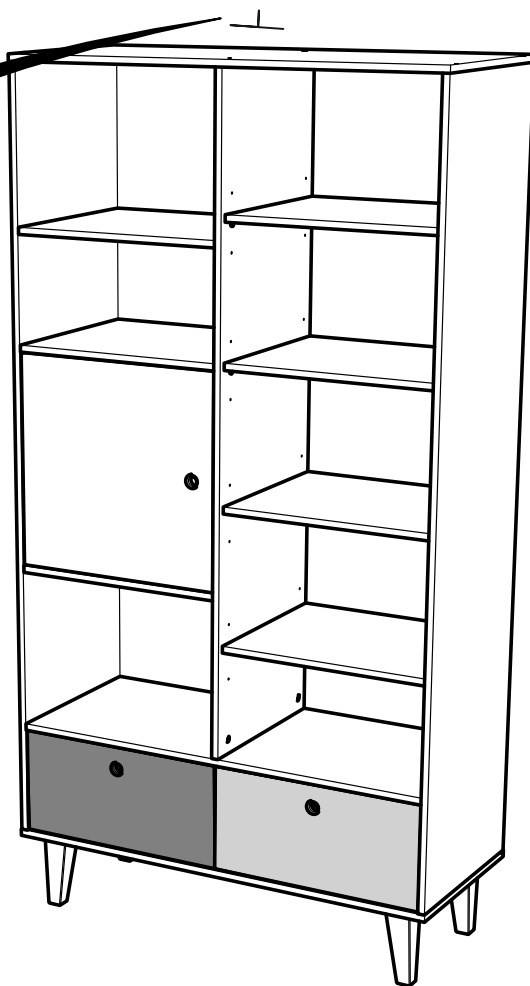
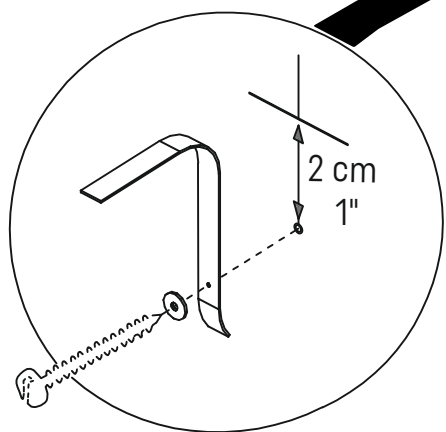




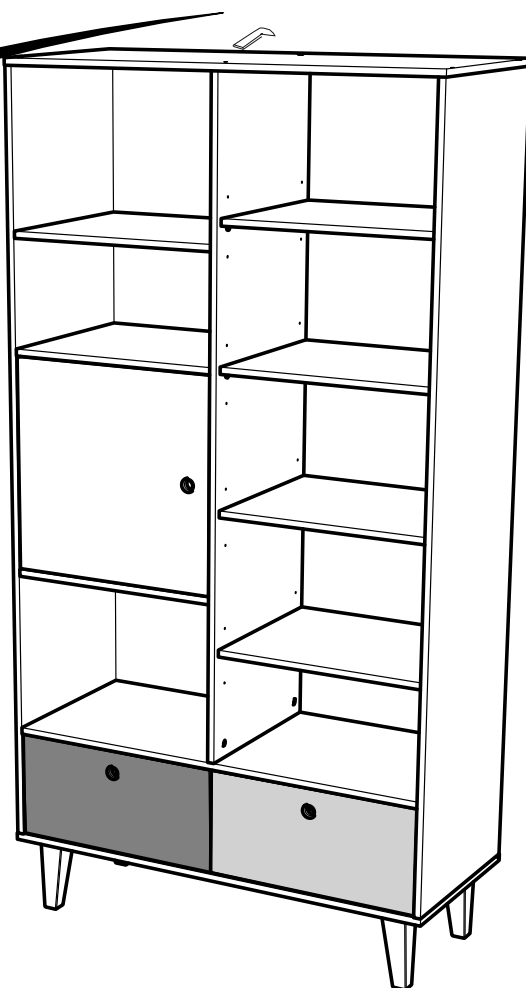
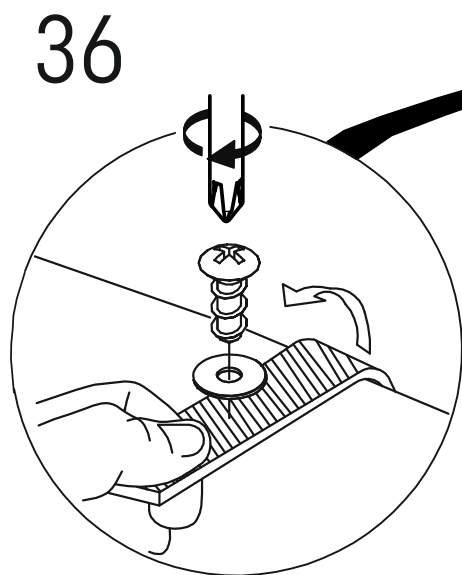
34



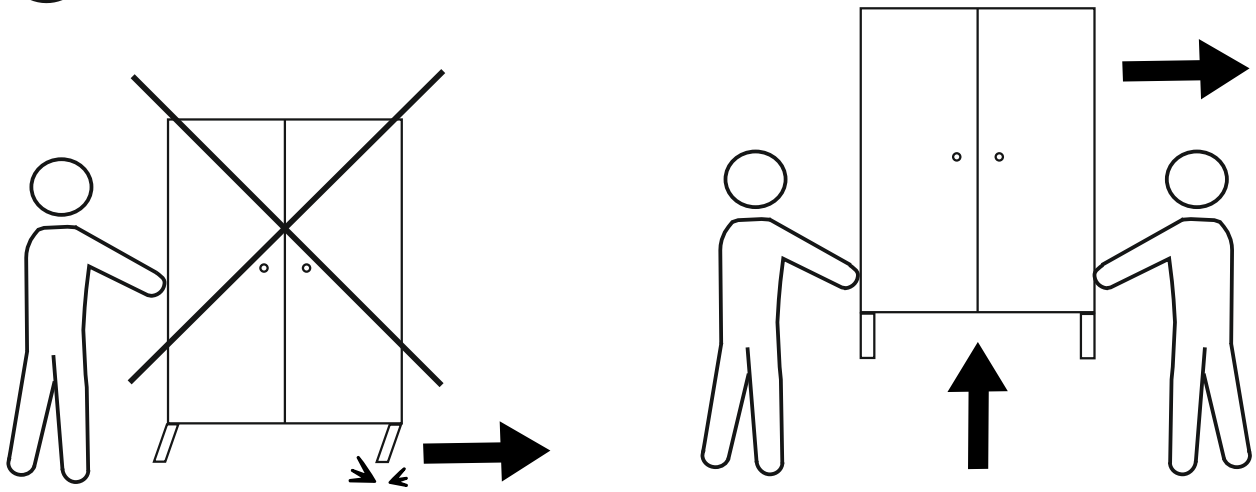
35



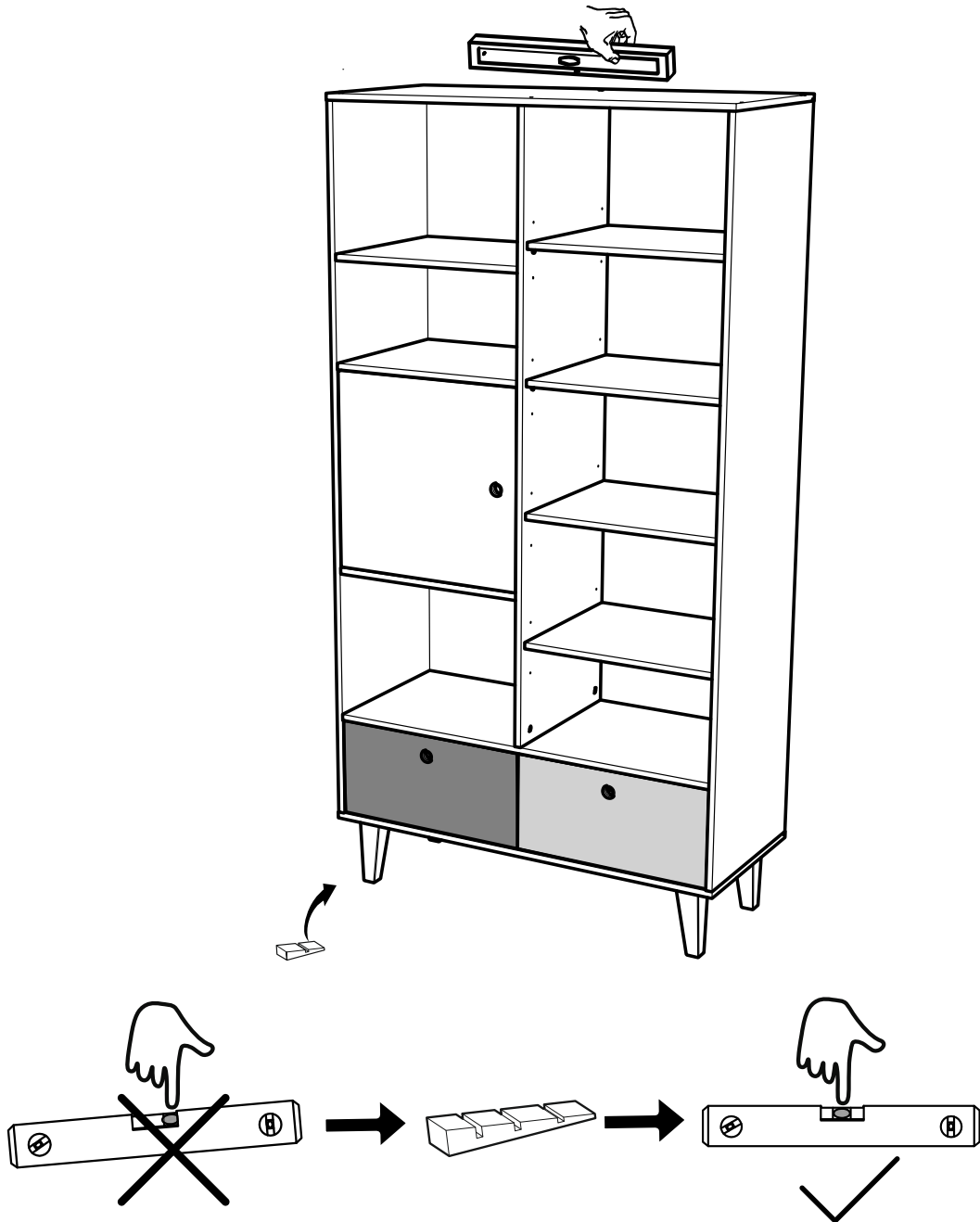
36



i



i



i

