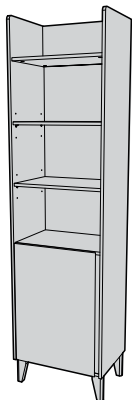


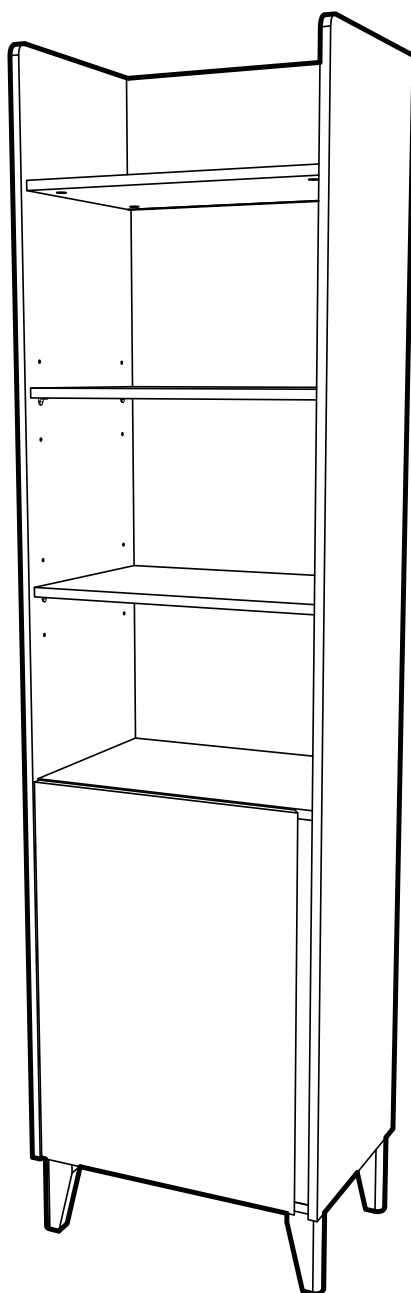
# MUVE

VOX

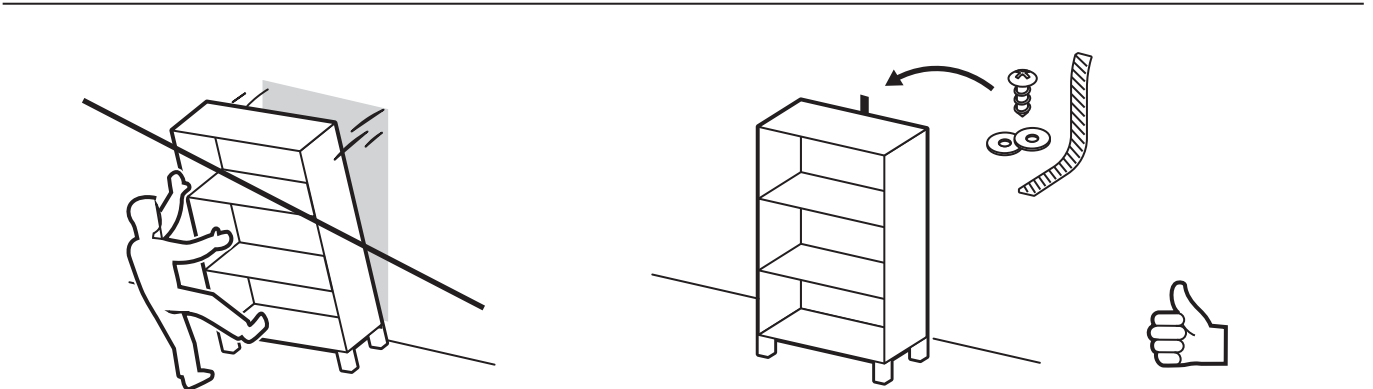
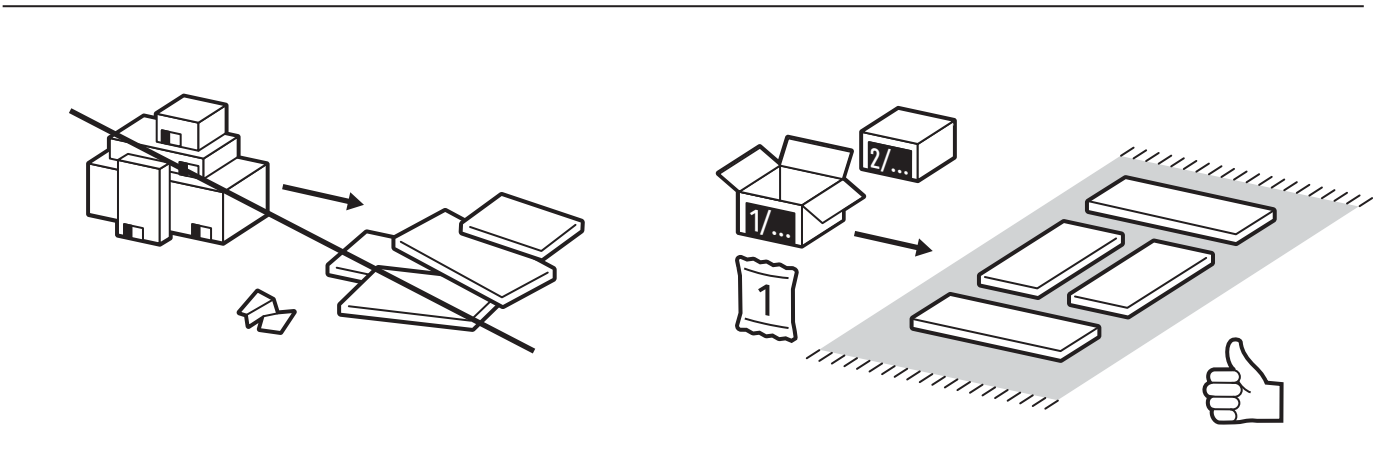
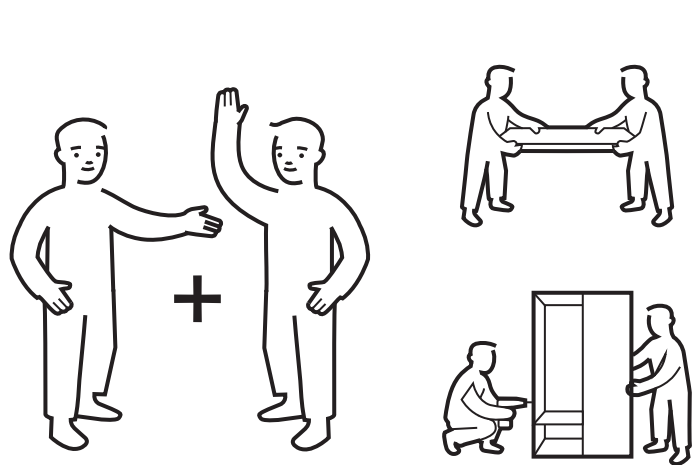
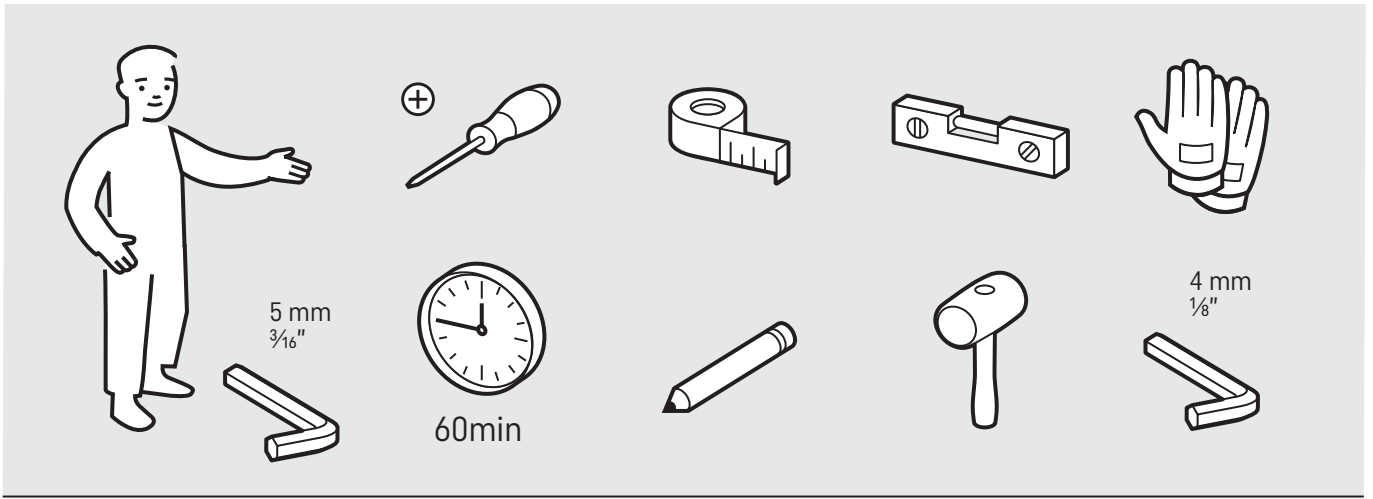
4023666\_001

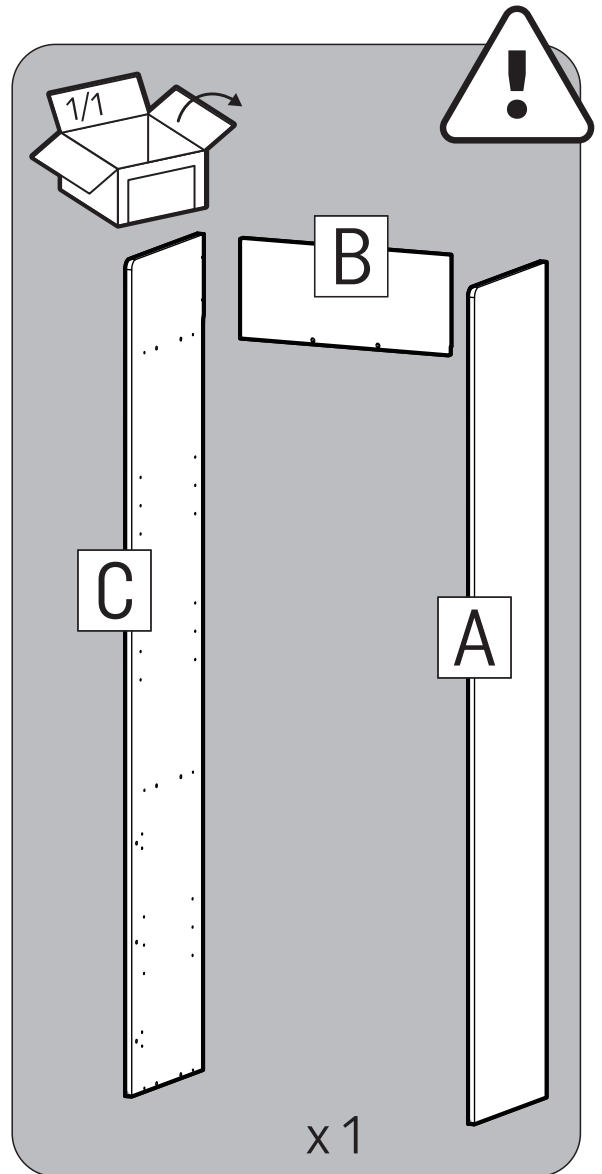
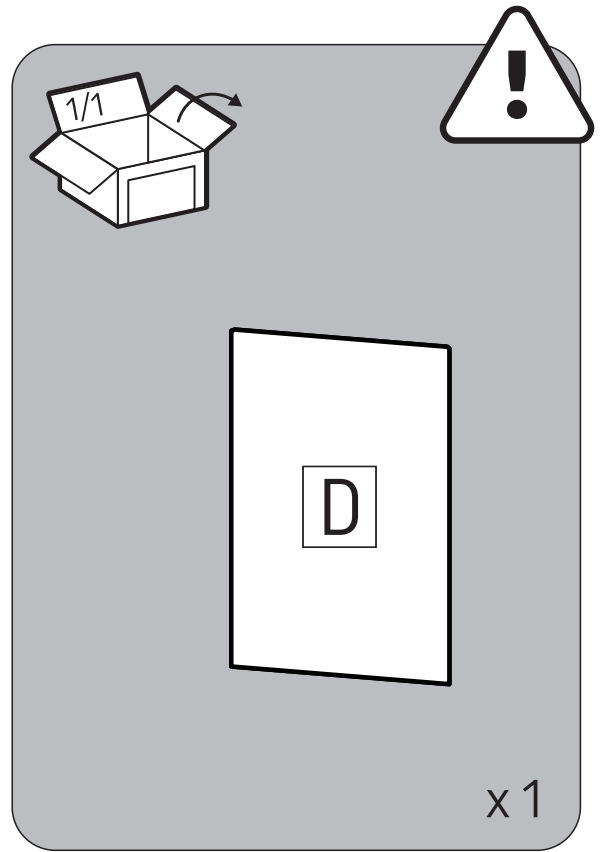
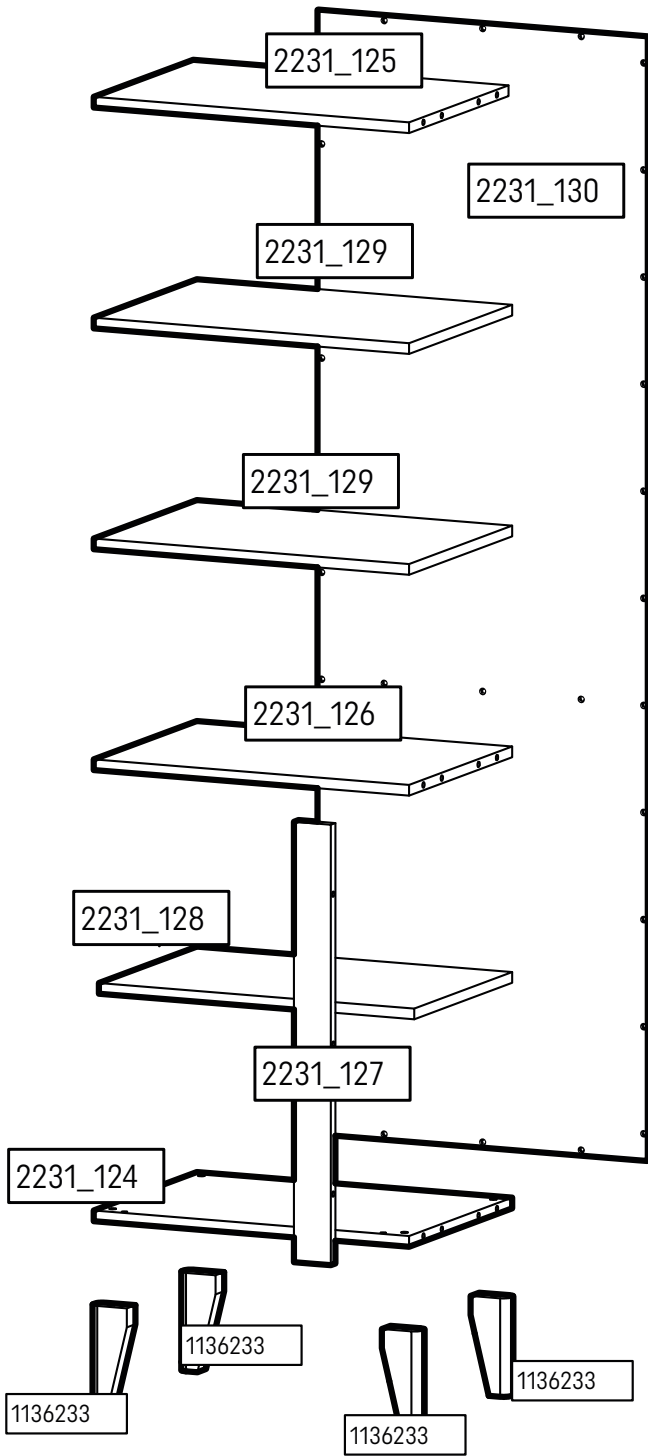
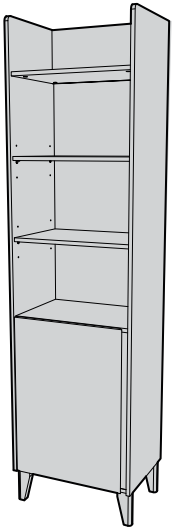


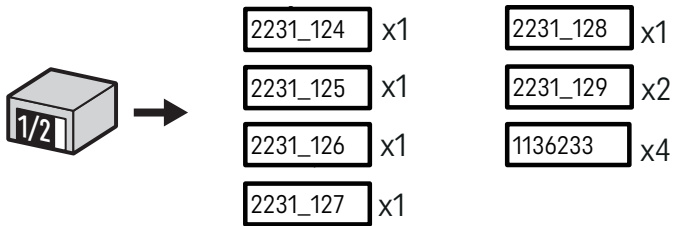
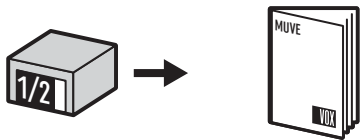
54,5x38x204 cm  
21 ½x15x80 ½"

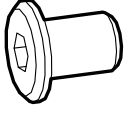
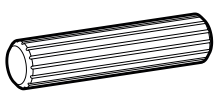
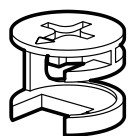
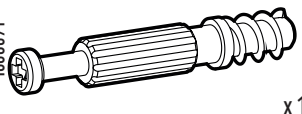
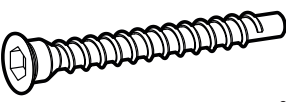
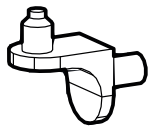

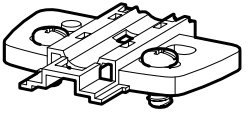

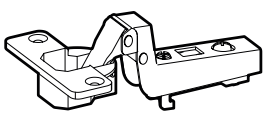
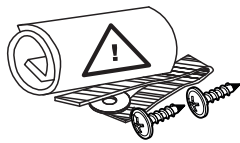



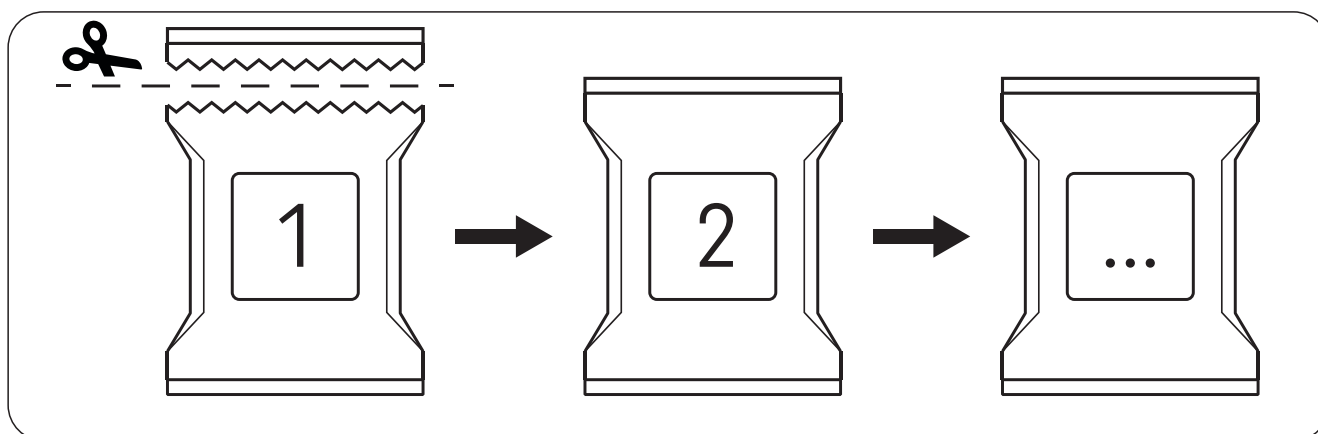
PL • vox.pl  
EU • voxfurniture.com  
US • voelkelcorp.com

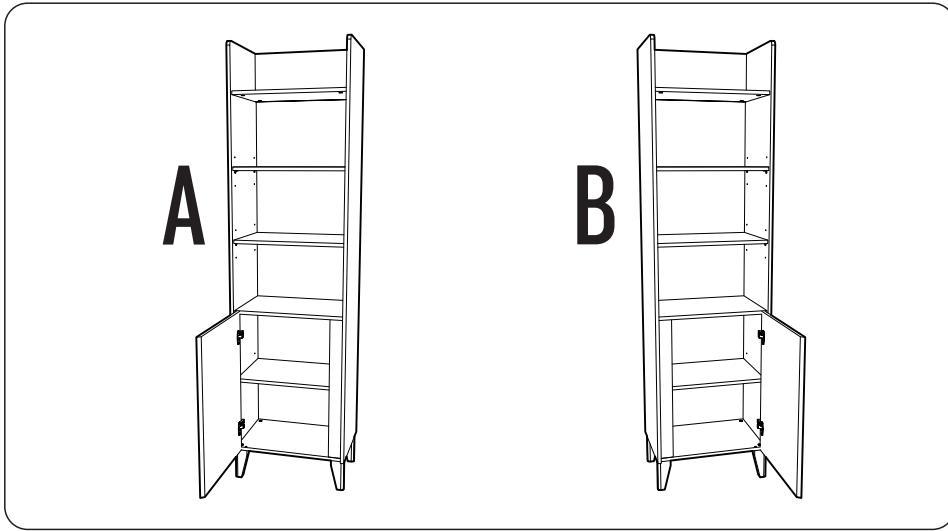




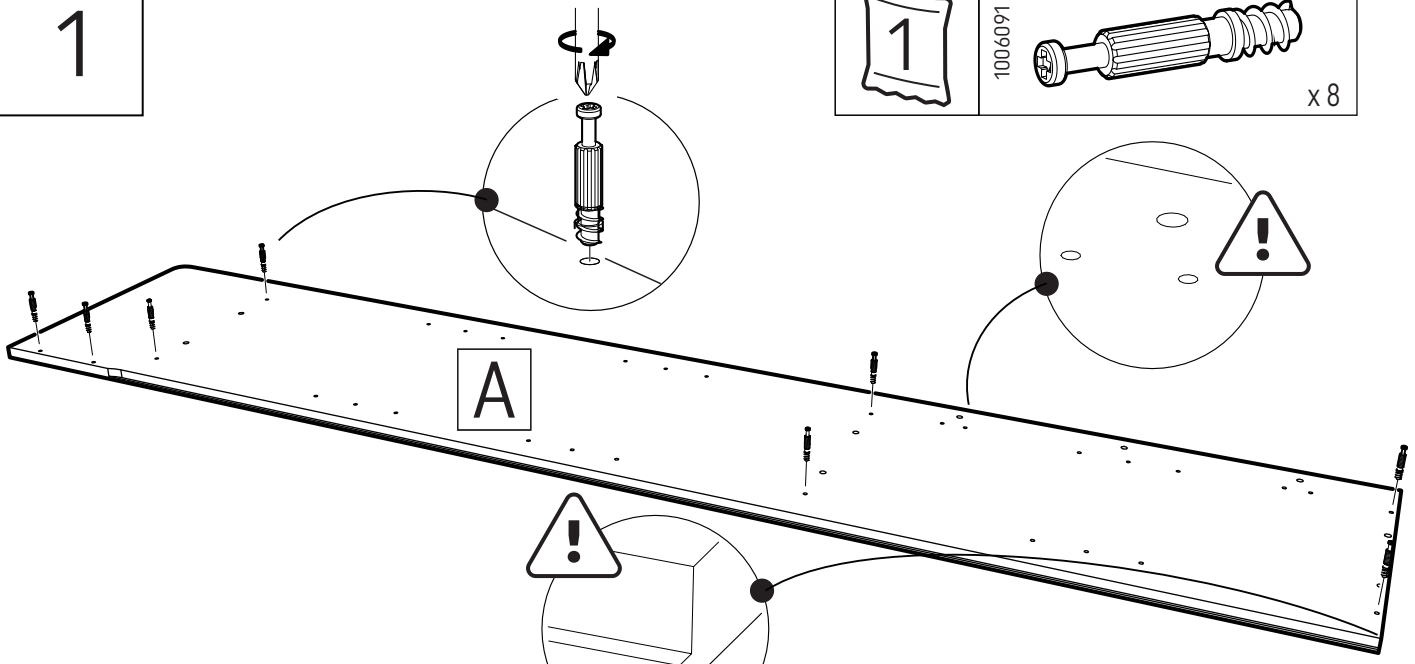
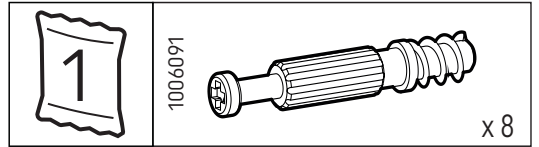


1006008  x 4	1005857  x 21	1005990  x 16	1006091  x 16
1005876  x 2	1001262  x 12	1006012  x 31	1003526  x 2
1136475  x 4	1136238  x 2	1000893  x 1	1005681  x 4

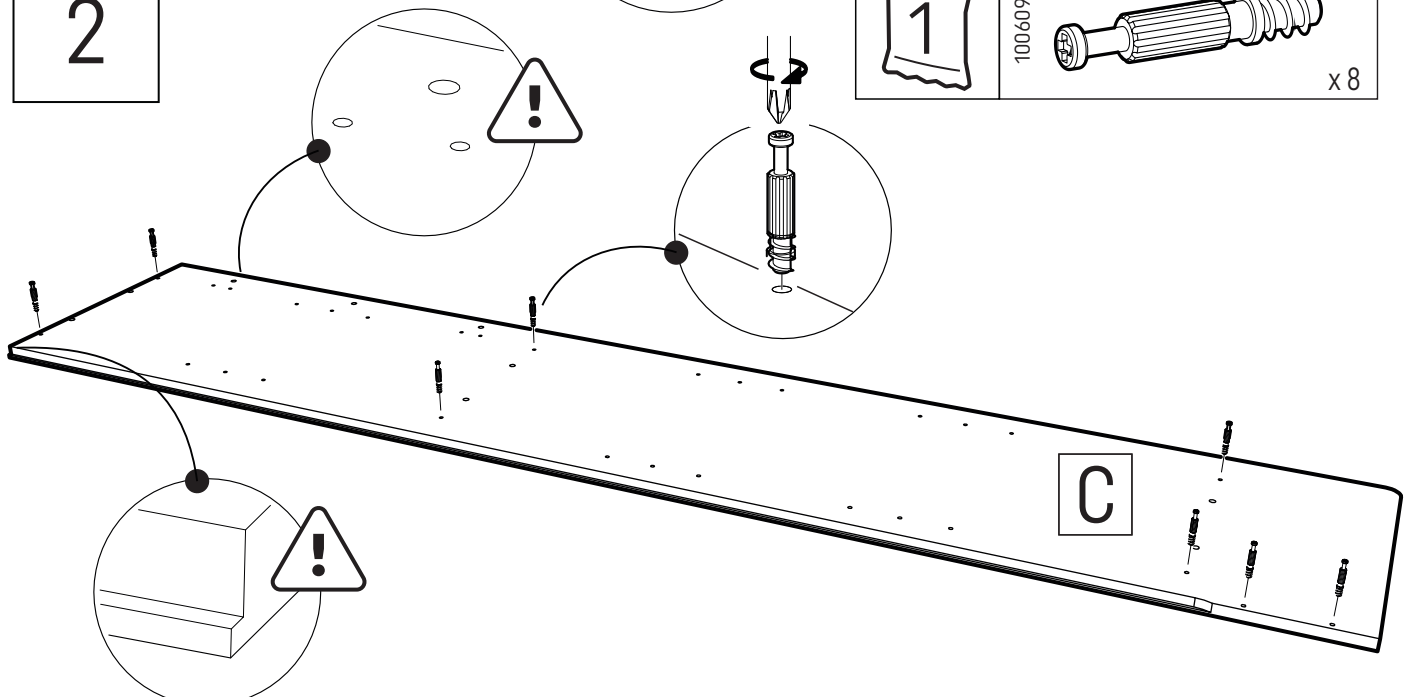
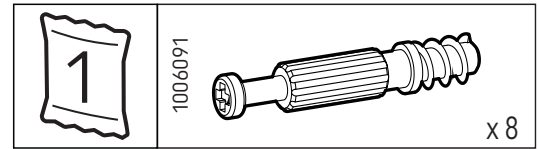




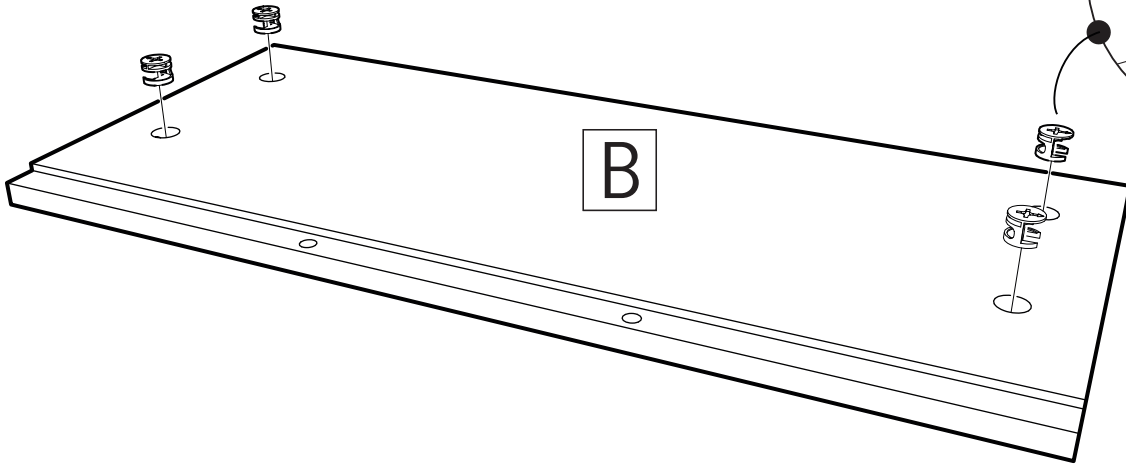
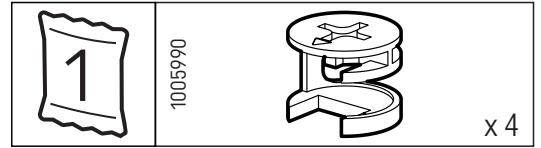
1



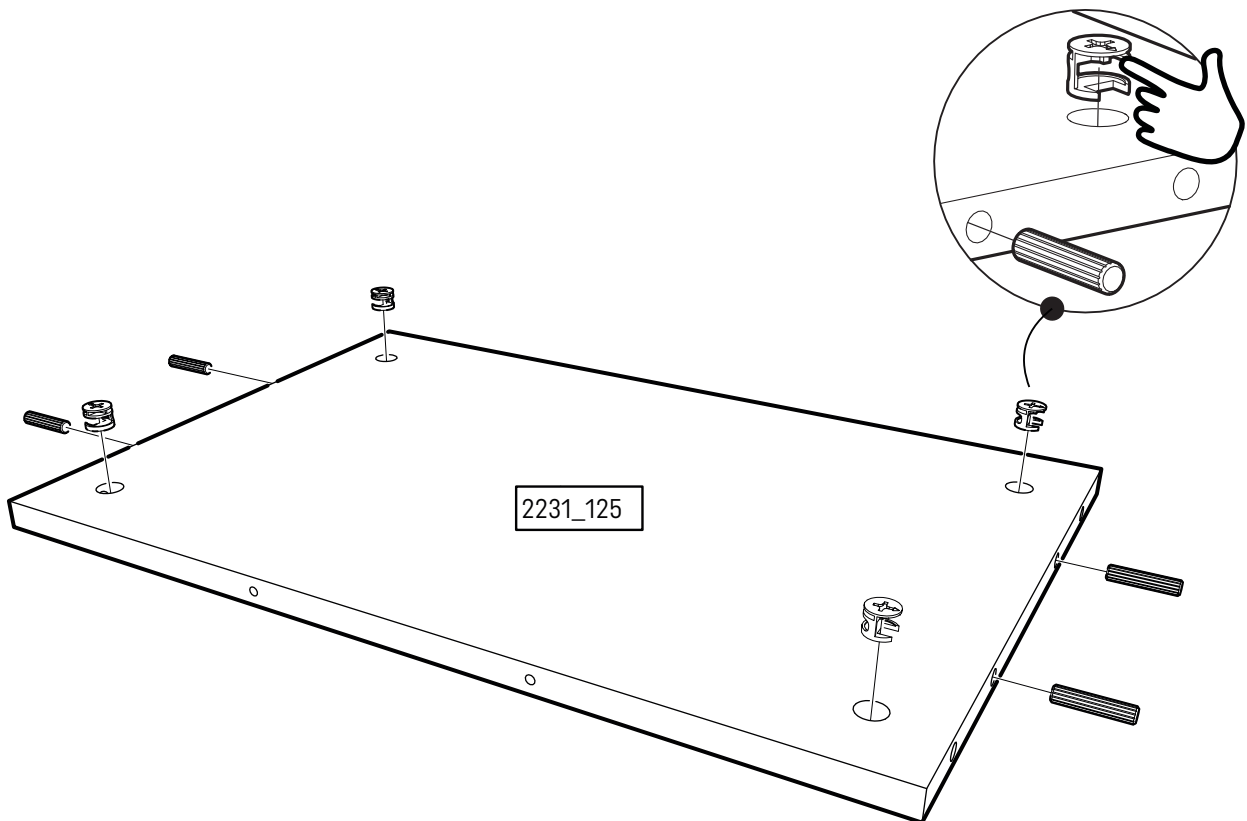
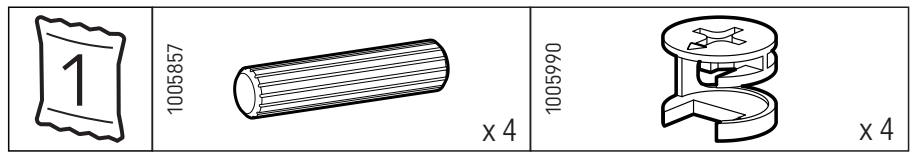
2



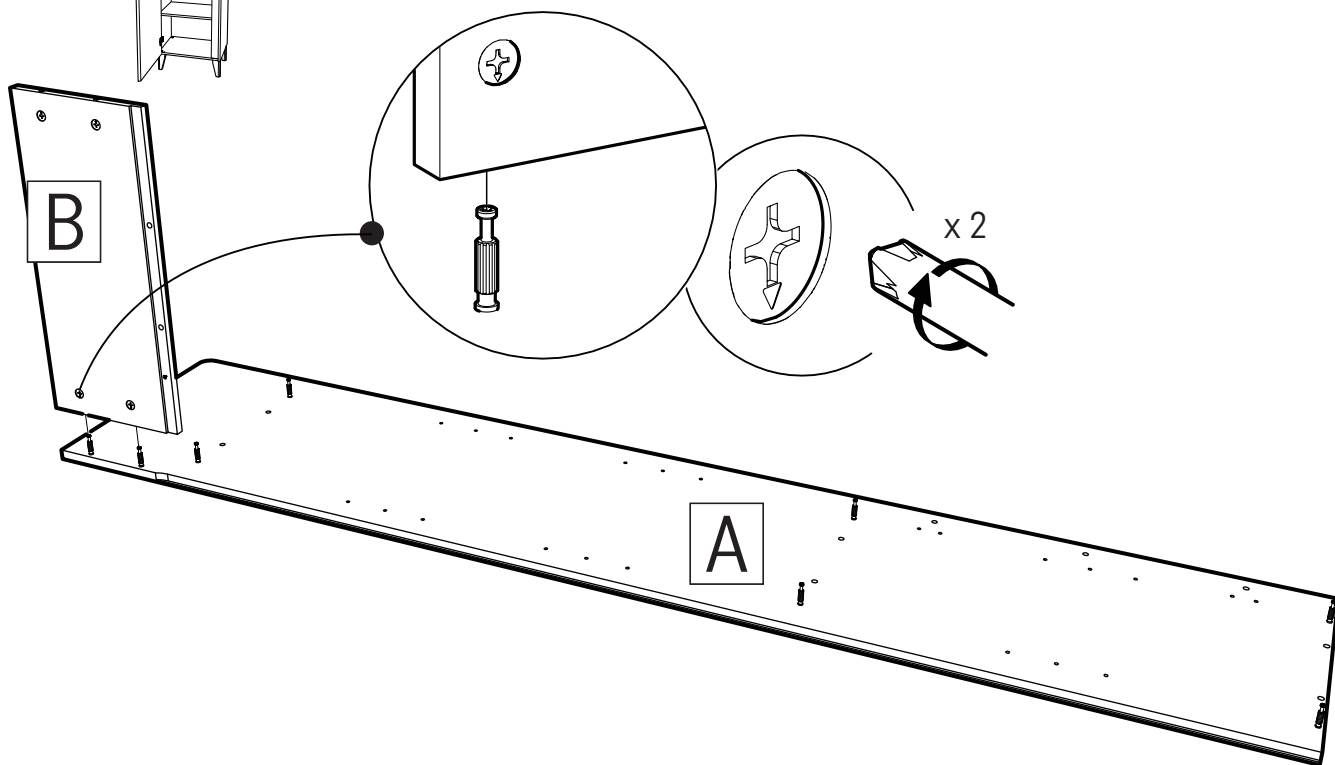
3



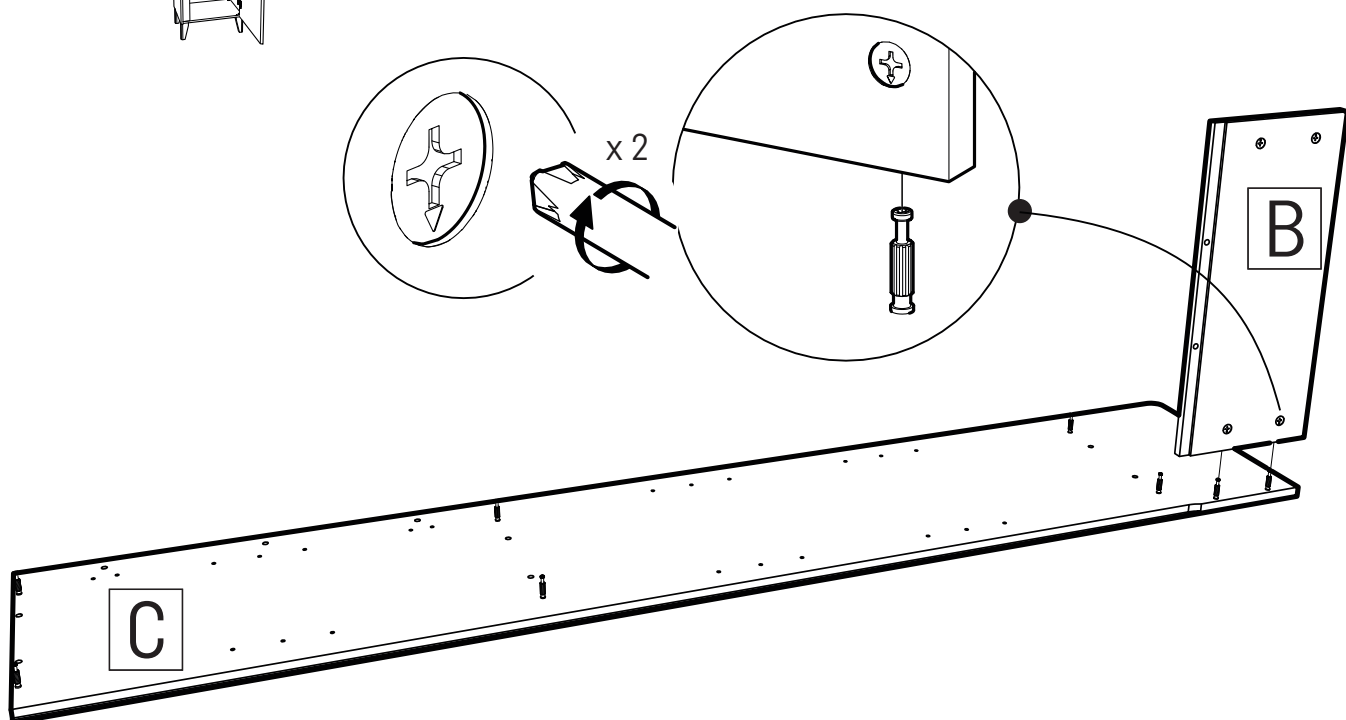
4



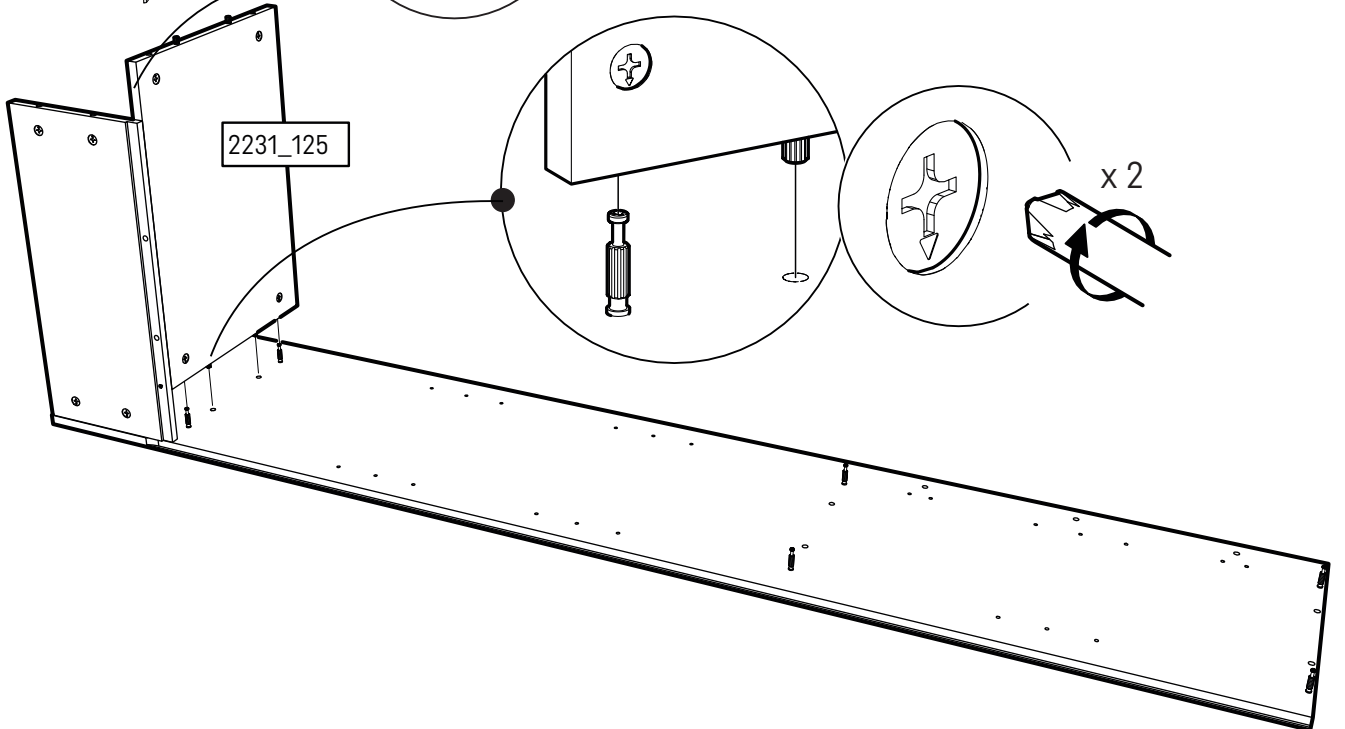
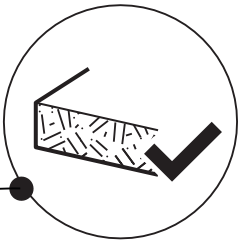
5A



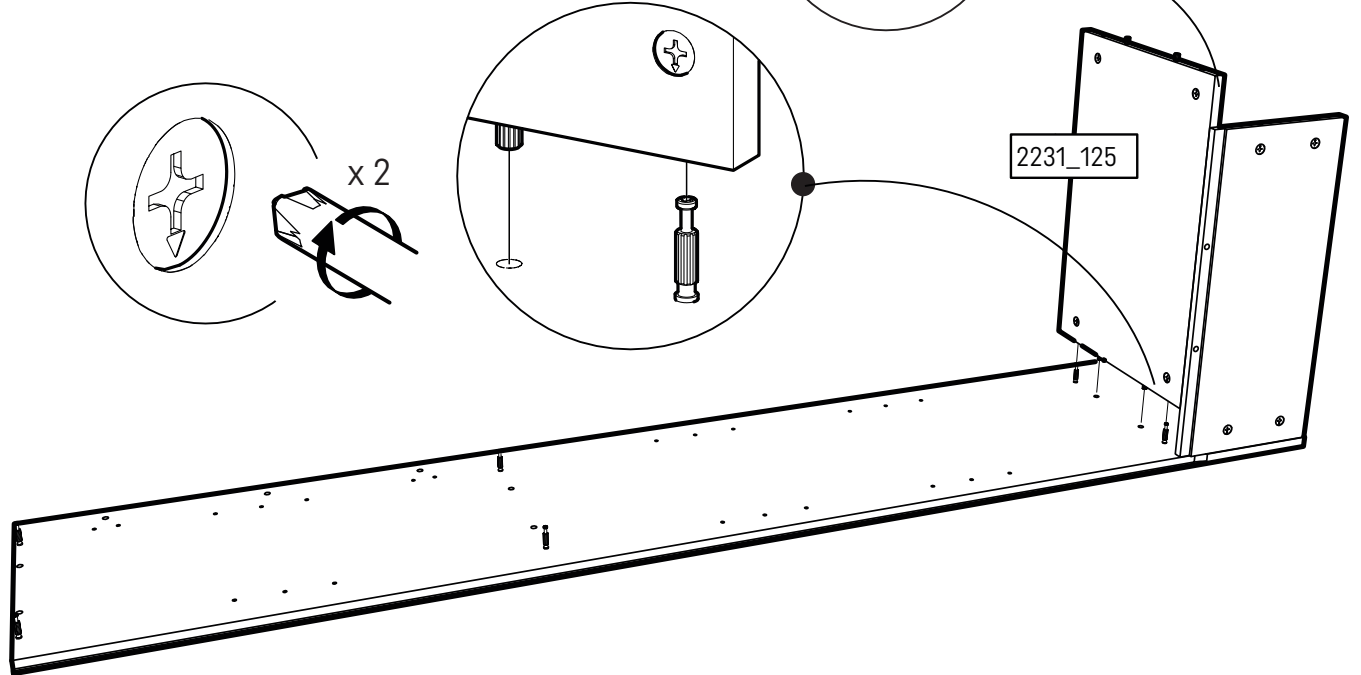
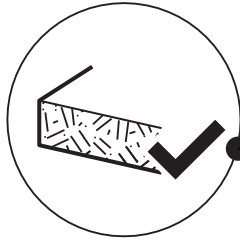
5B



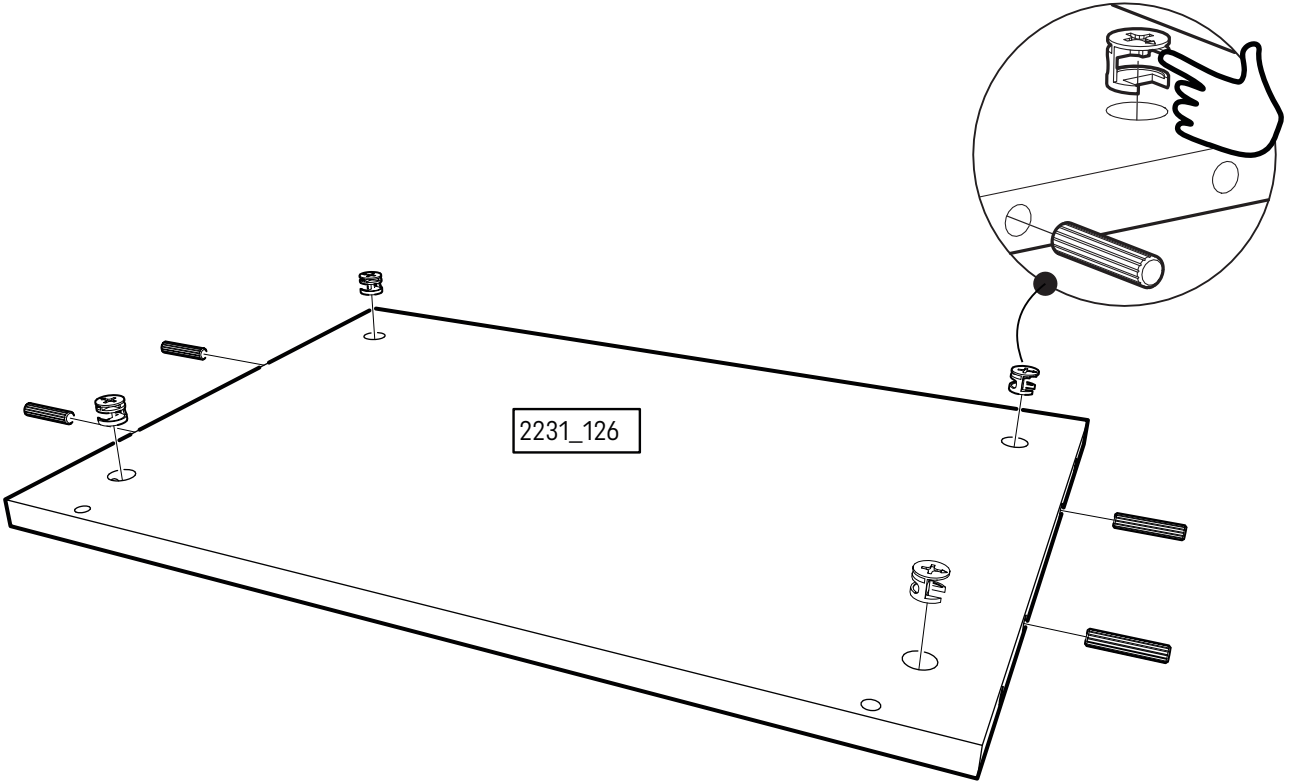
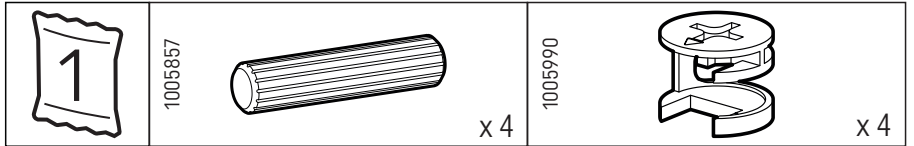
6A



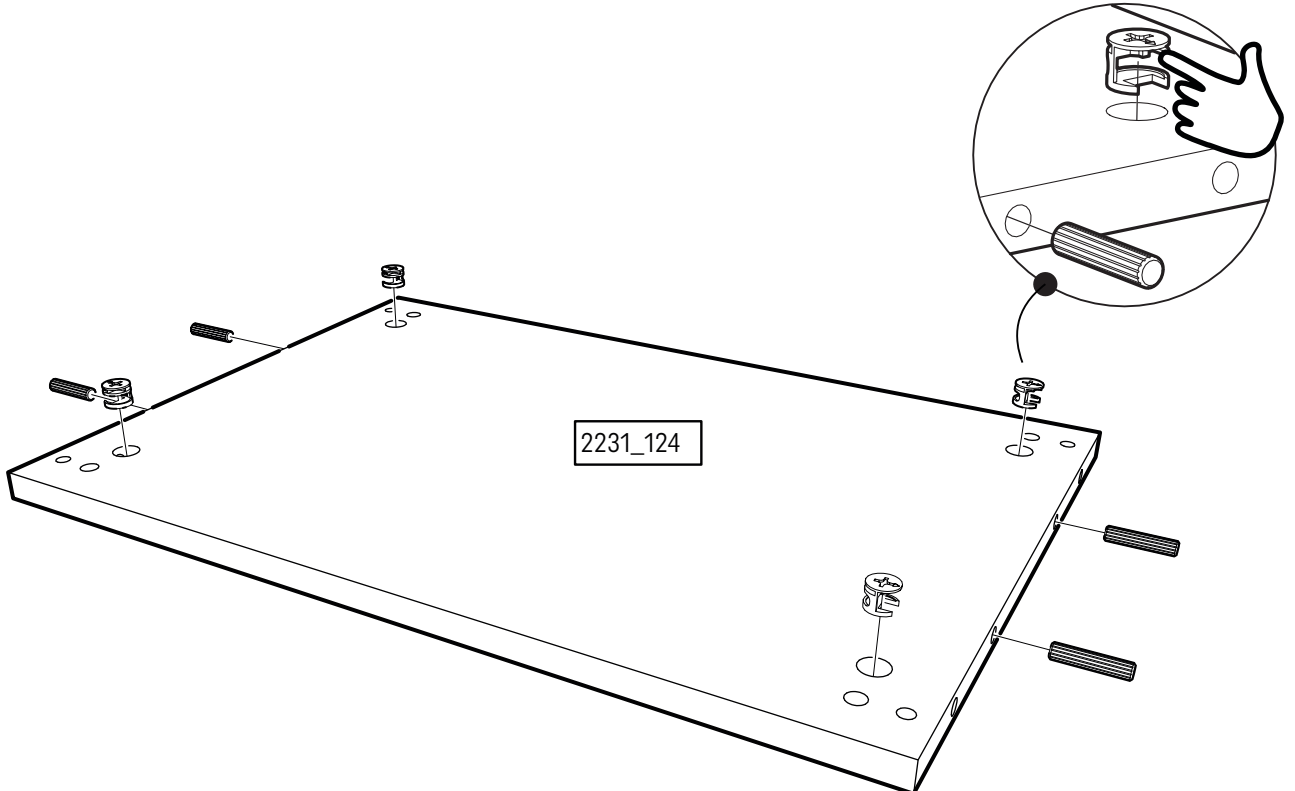
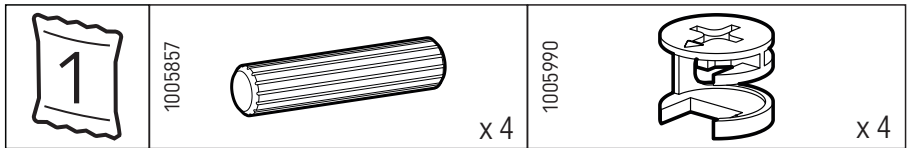
6B



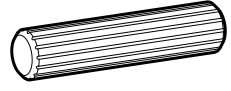
7

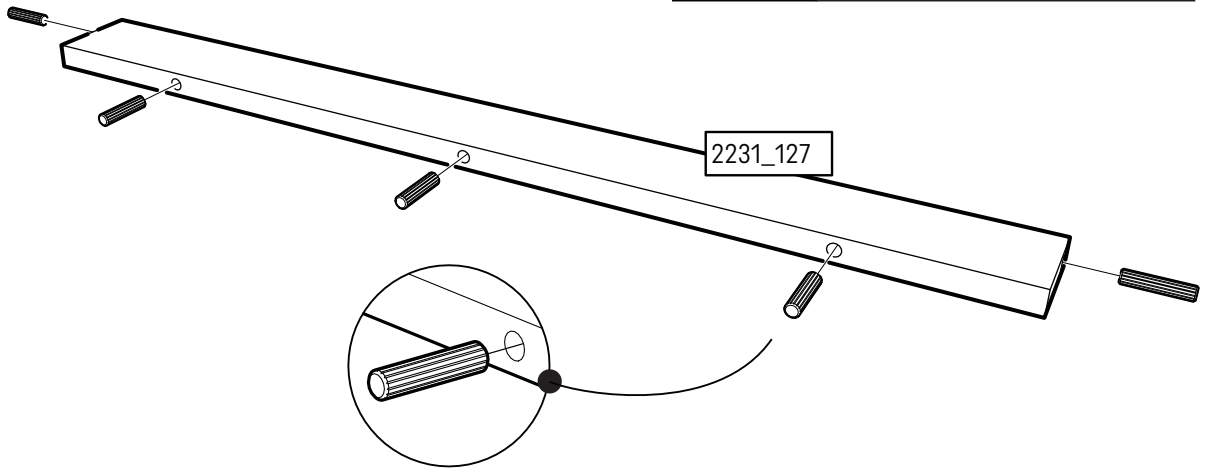


8

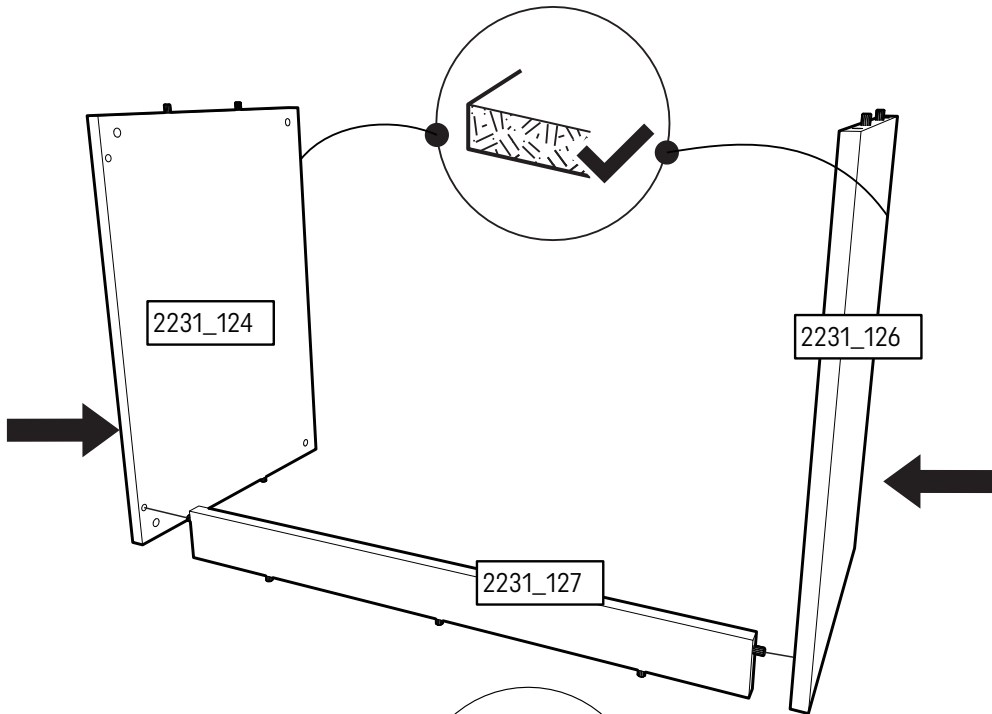


9

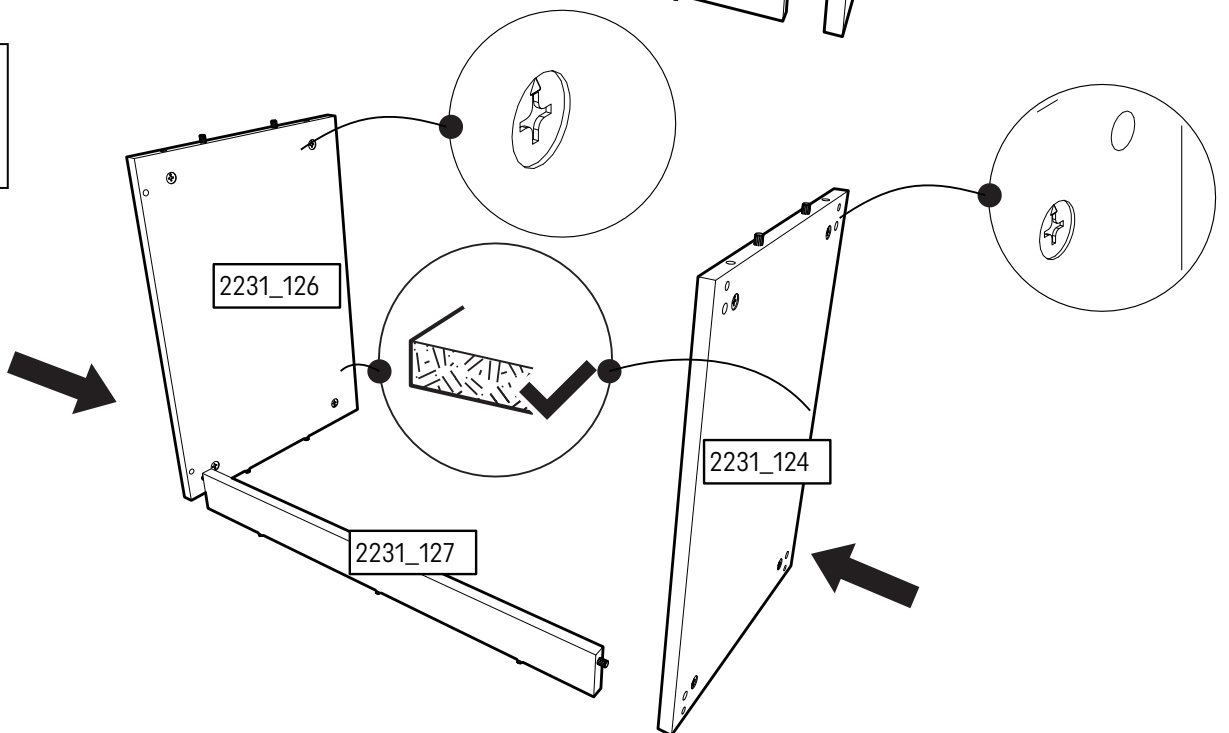
<p>1</p>	<p>1005857</p>	 <p>x 5</p>
----------	----------------	------------------------------------------------------------------------------------------------



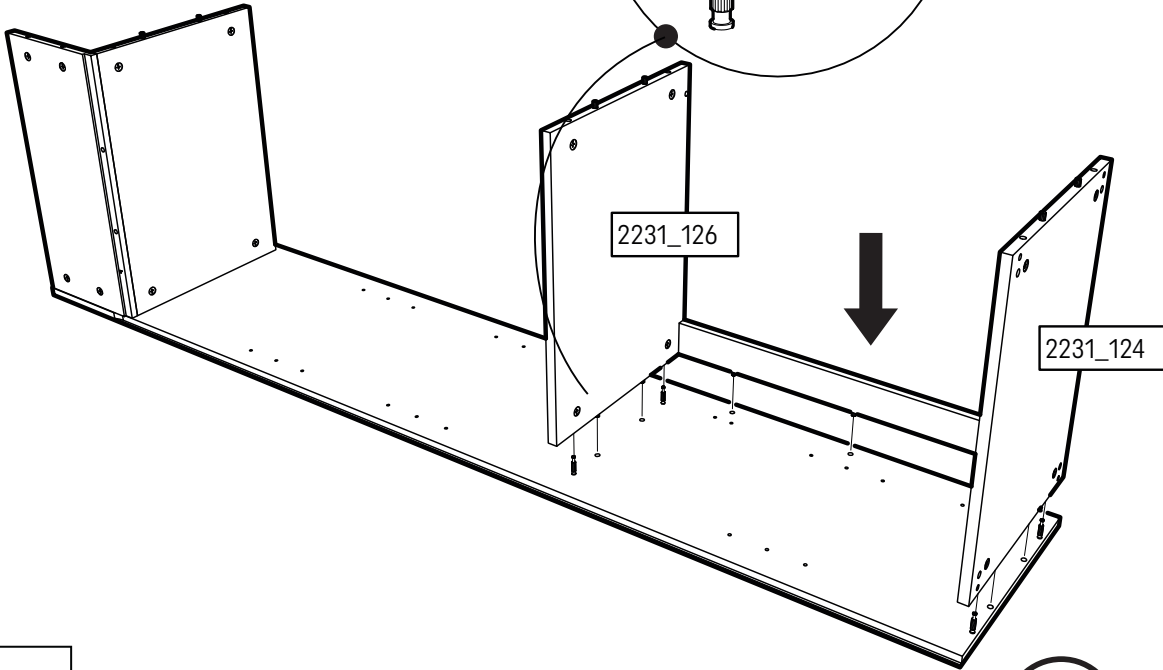
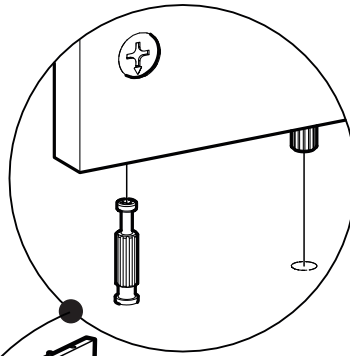
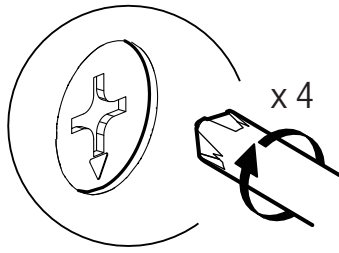
10A



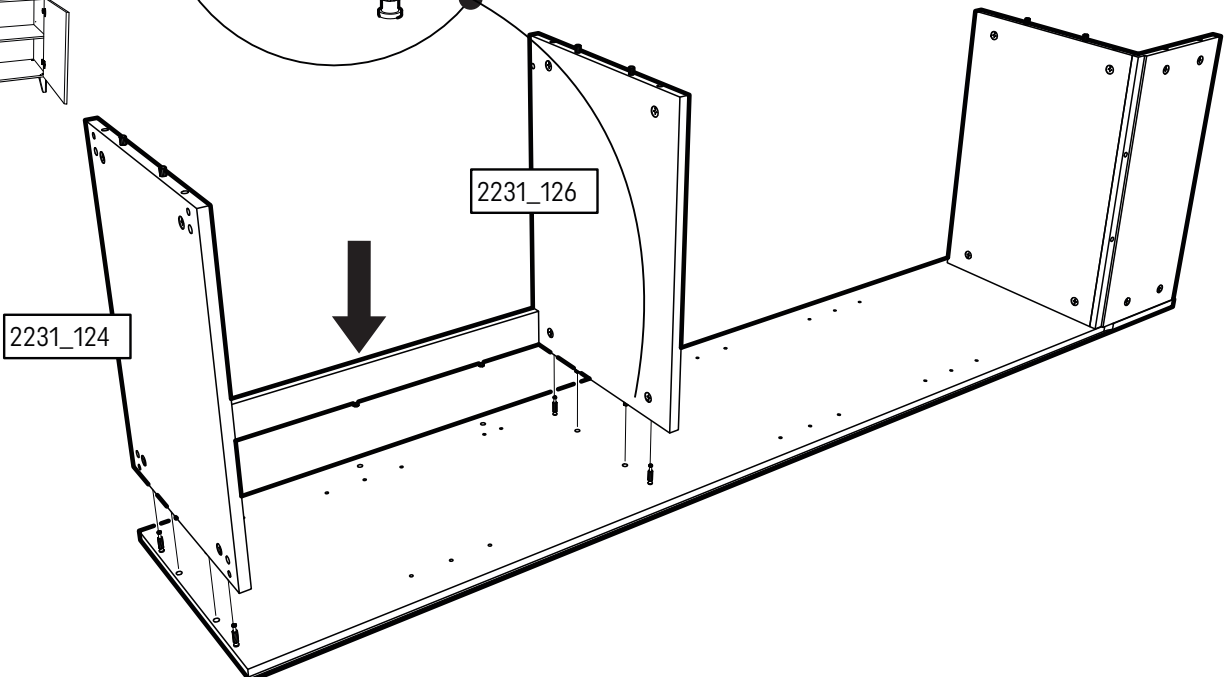
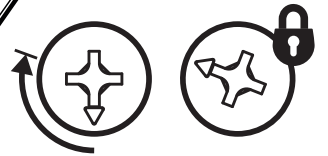
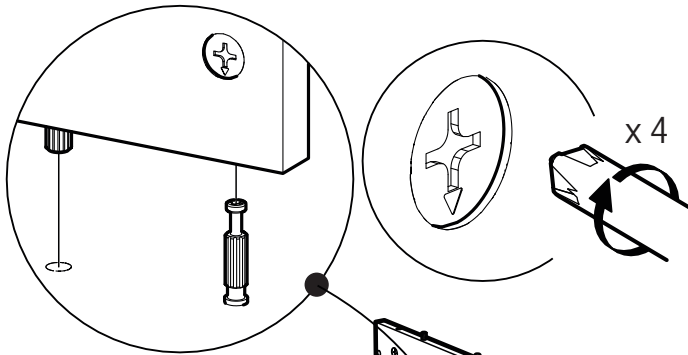
10B



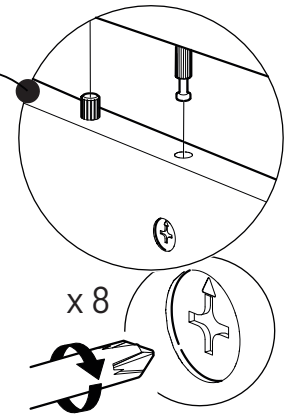
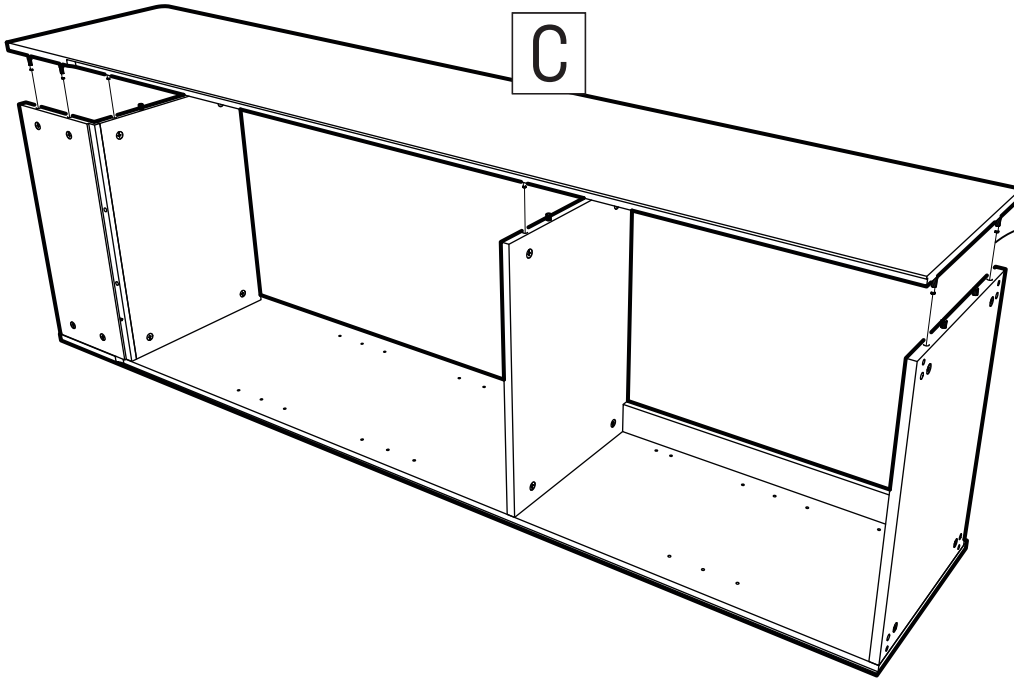
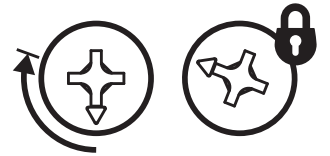
11A



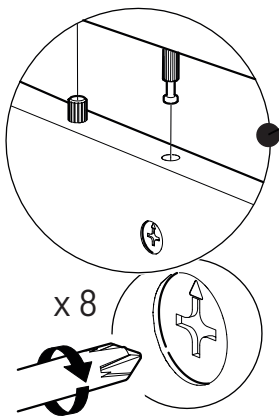
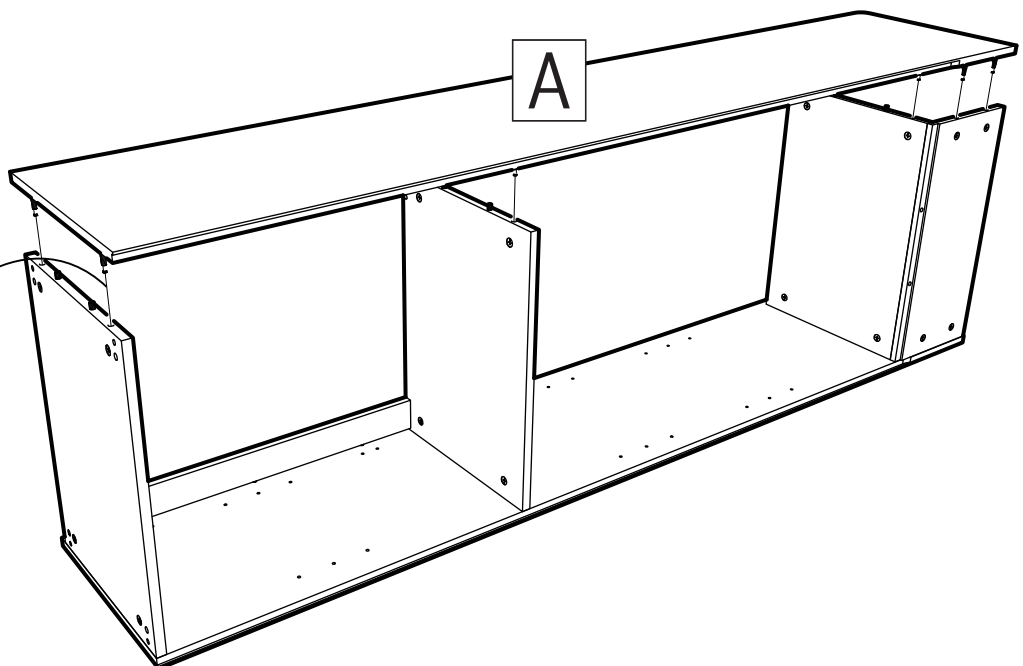
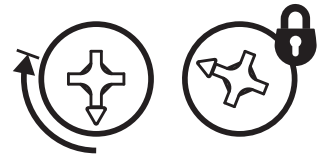
11B



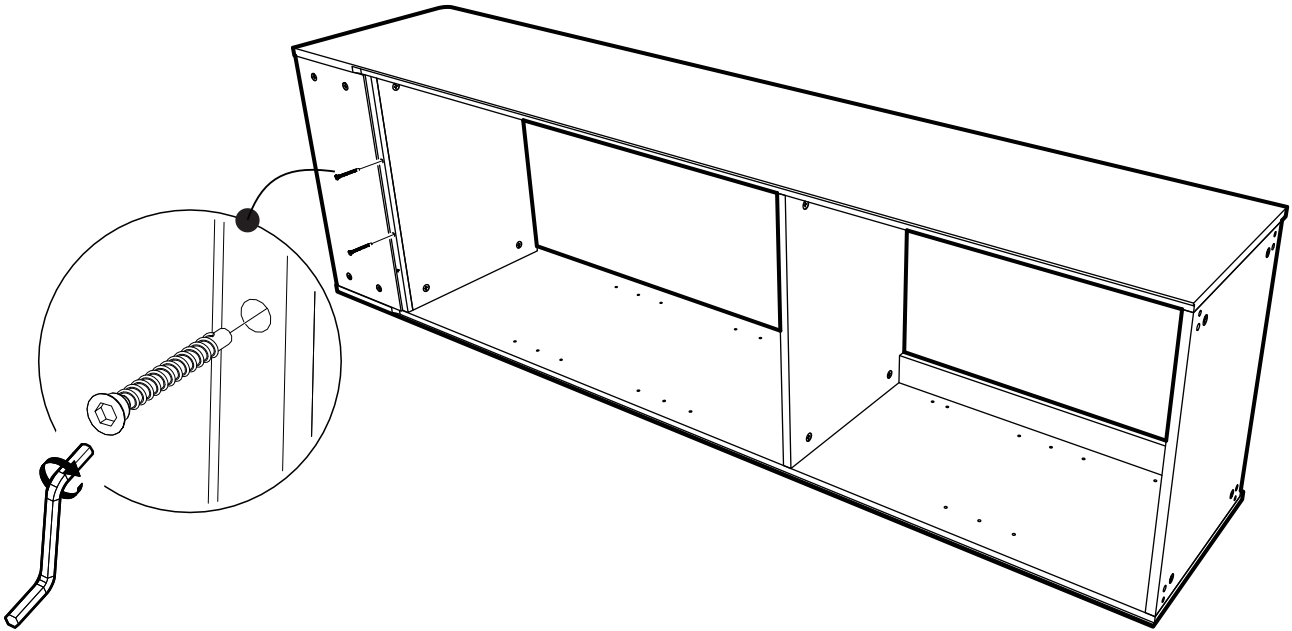
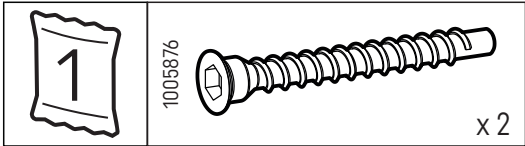
12A



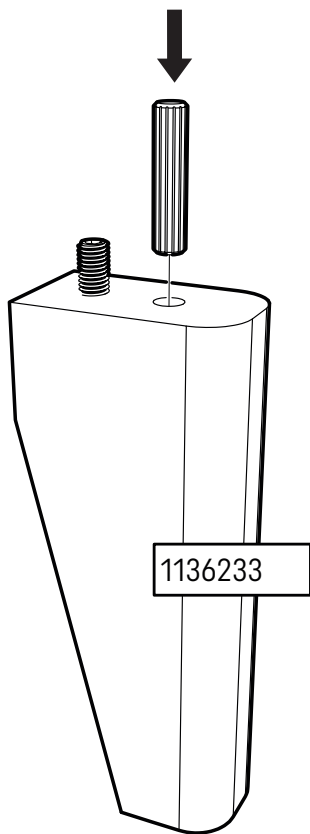
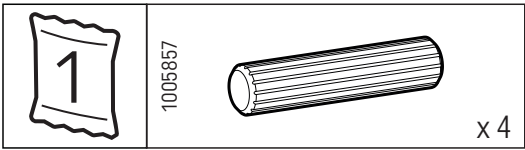
12B



13


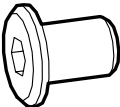



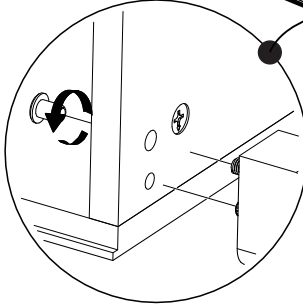
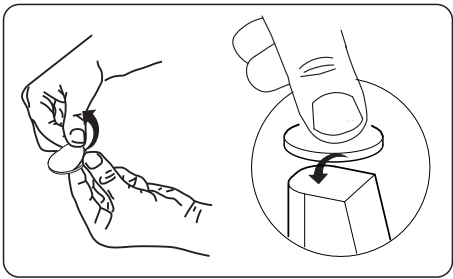
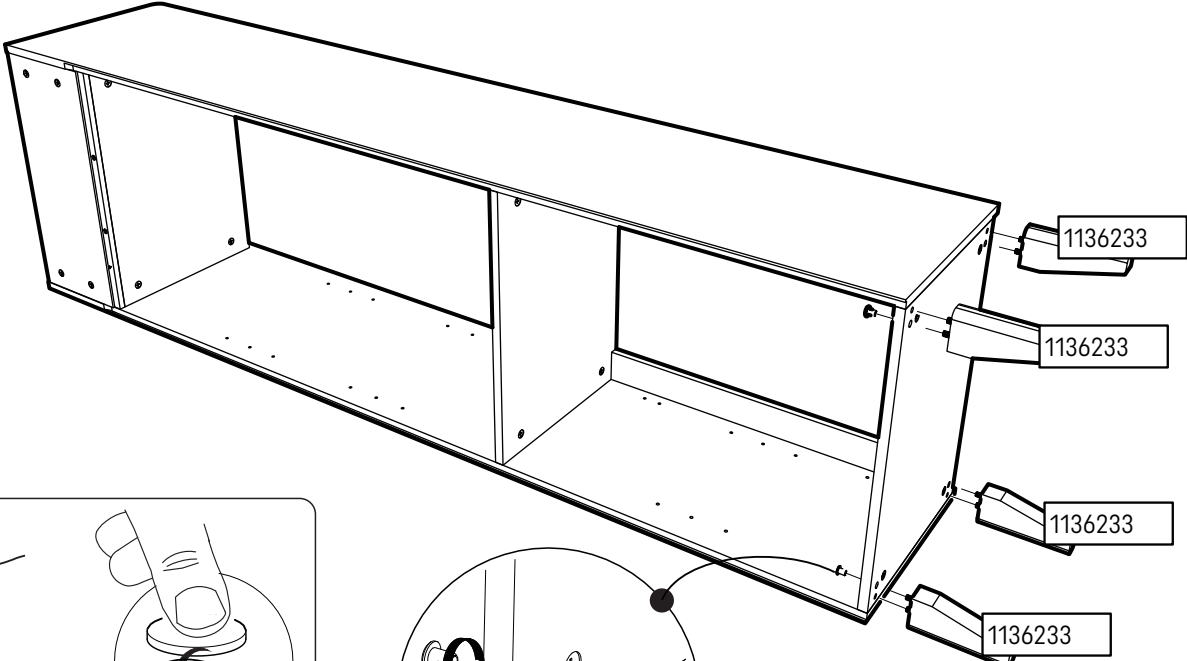
14



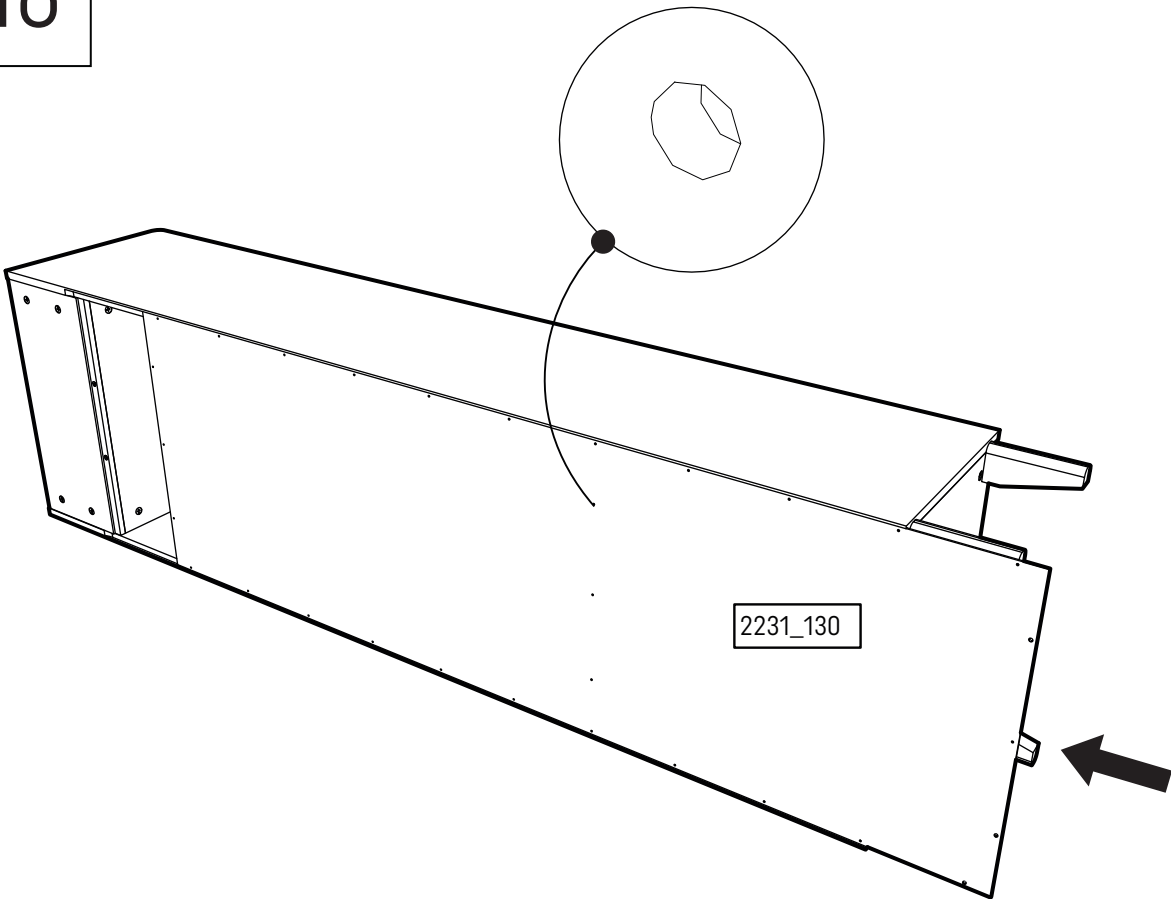
x4

15



	1006008		x 4	1136475		x 4
-----------------------------------------------------------------------------------	---------	-----------------------------------------------------------------------------------	-----	---------	-------------------------------------------------------------------------------------	-----


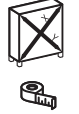
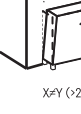
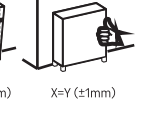


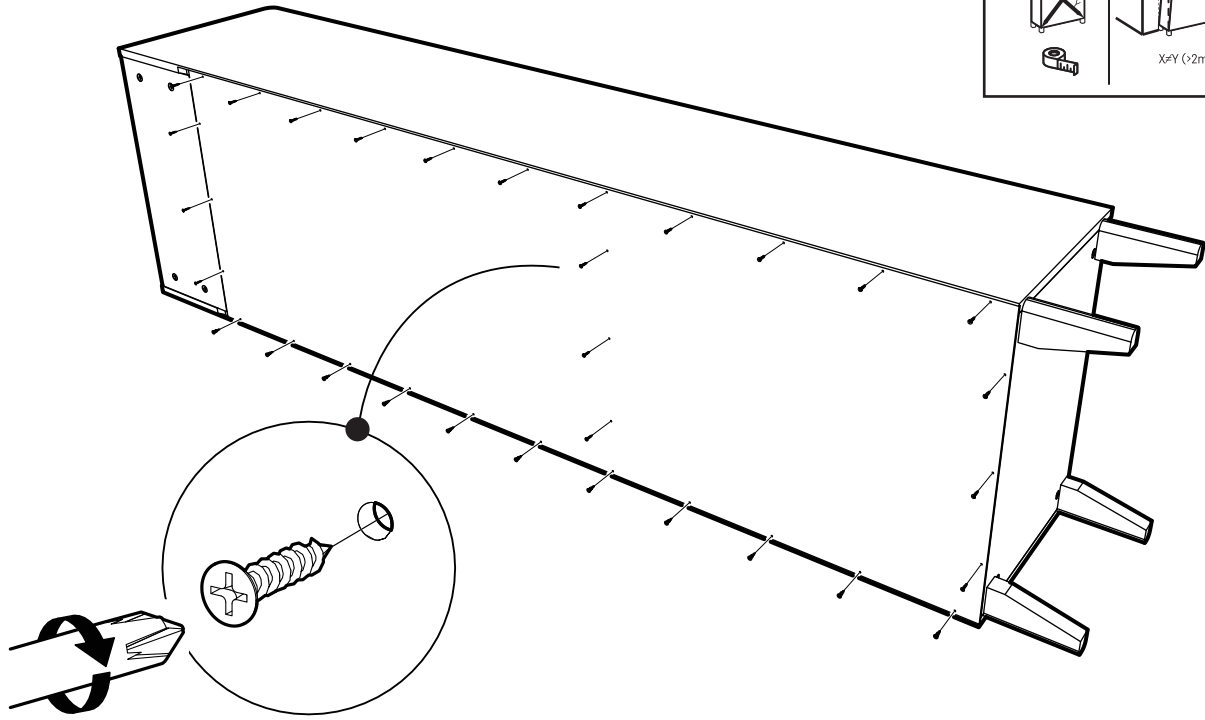
16




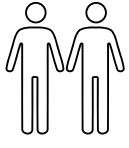
17

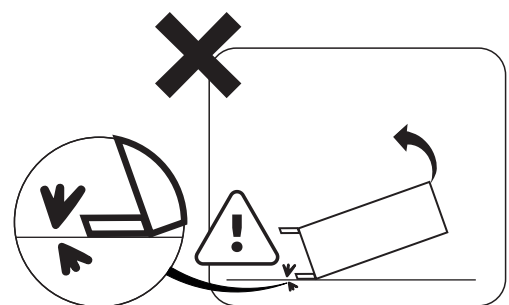
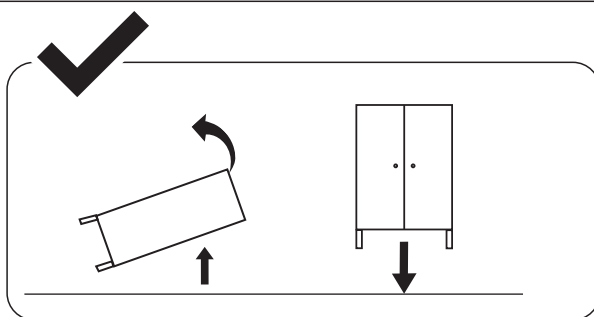
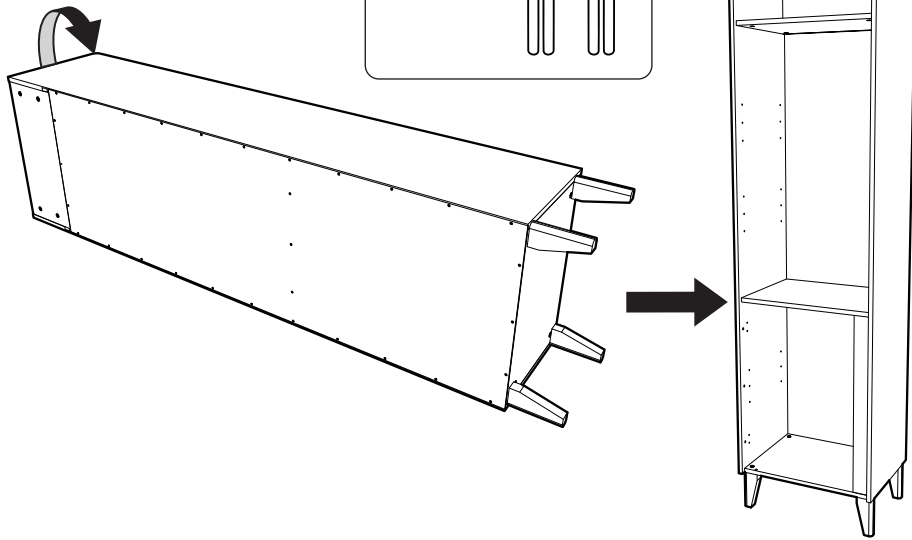
	1006012		x 31
------------------------------------------------------------------------------------	---------	-------------------------------------------------------------------------------------	------

			
	X=Y ( $\pm 2\text{mm}$ )	X=Y ( $\pm 1\text{mm}$ )	

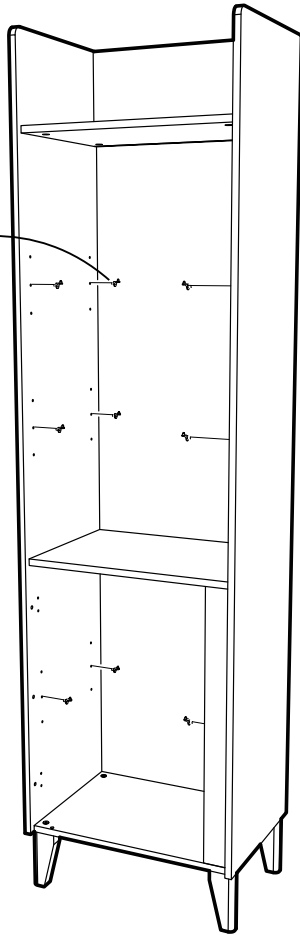
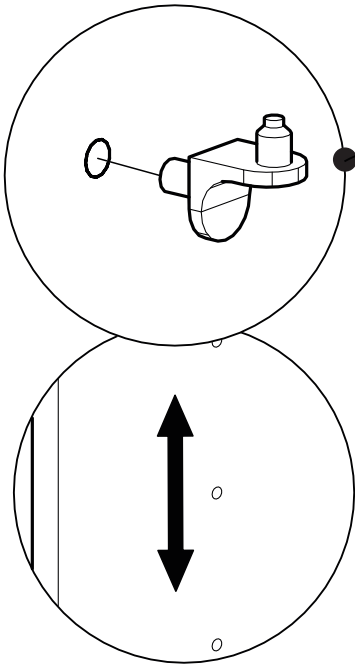



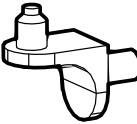
18

	
-------------------------------------------------------------------------------------	-------------------------------------------------------------------------------------

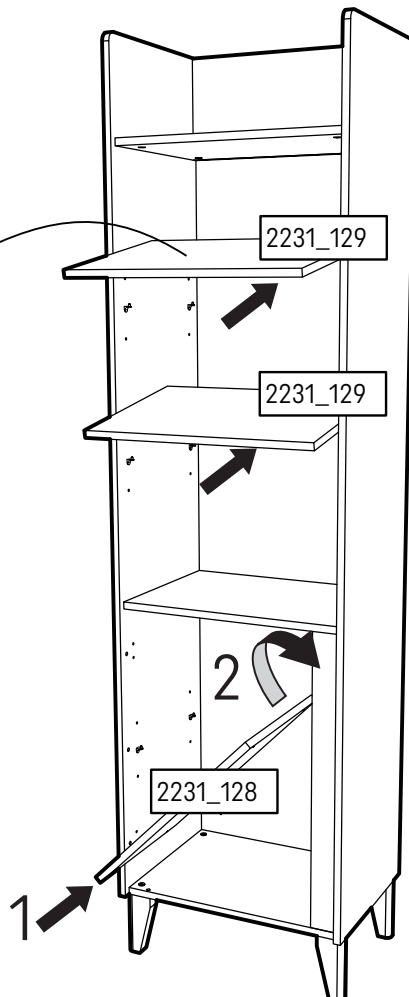
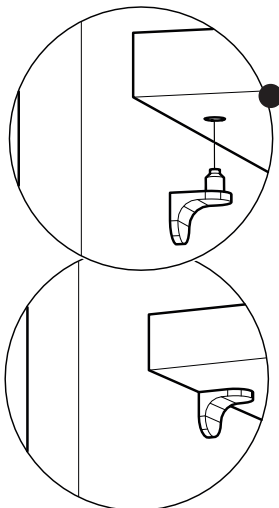


19

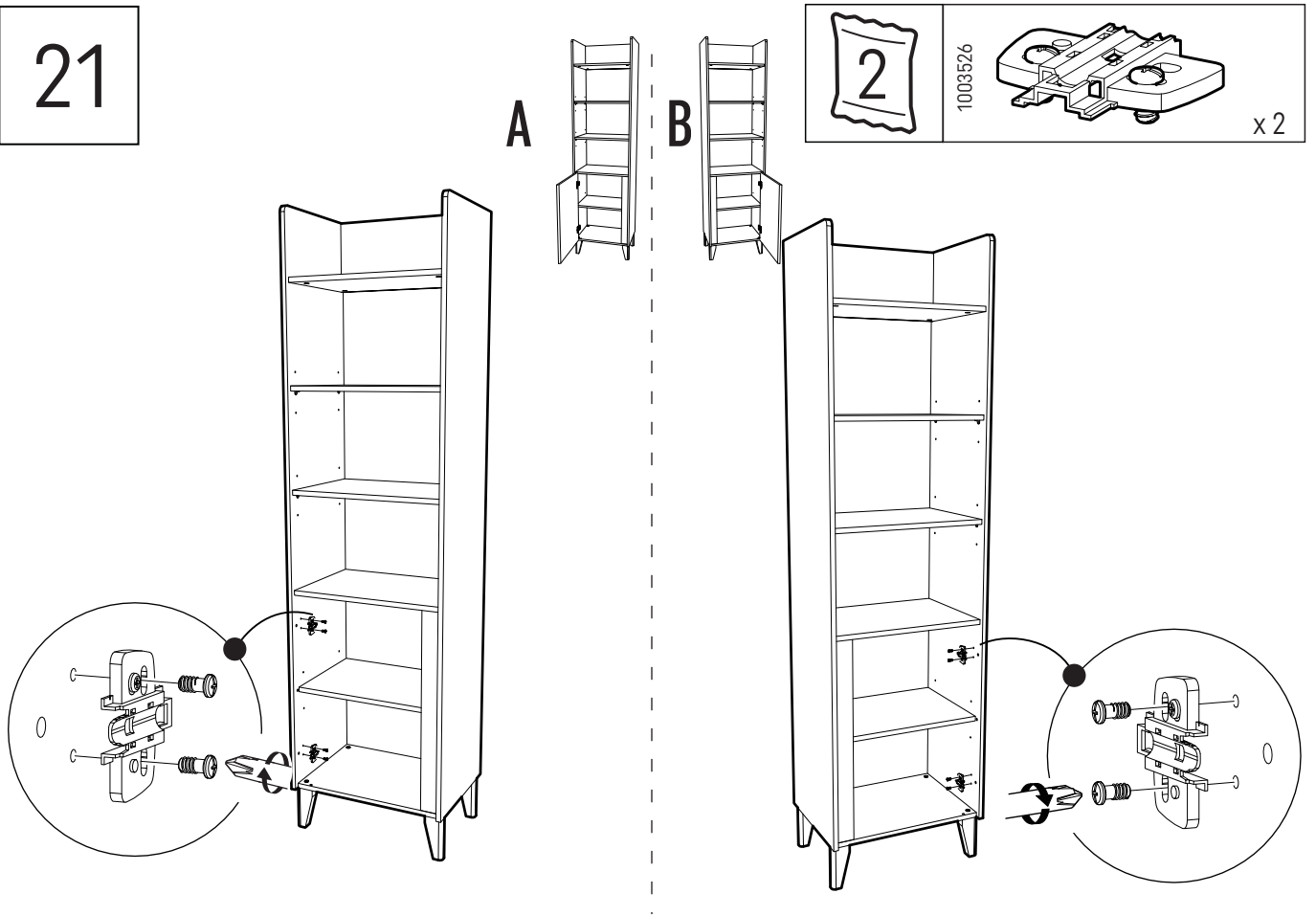


	1001262		x 12
------------------------------------------------------------------------------------	---------	-------------------------------------------------------------------------------------	------

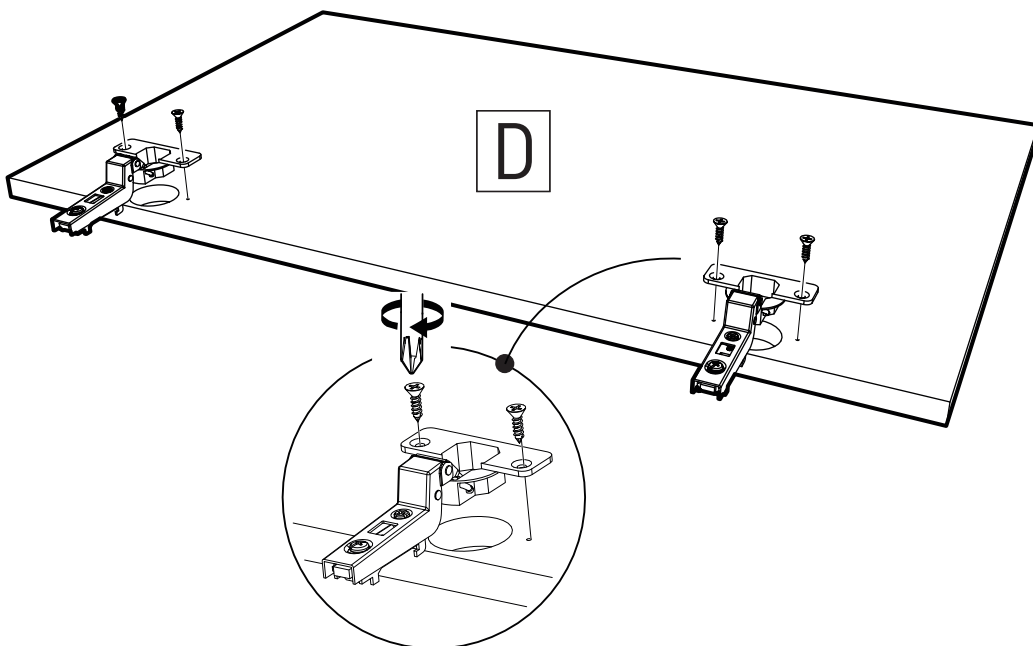
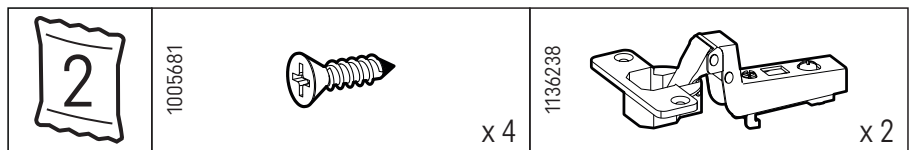
20



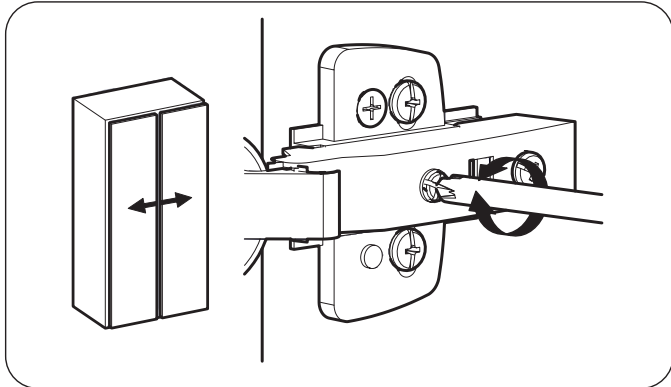
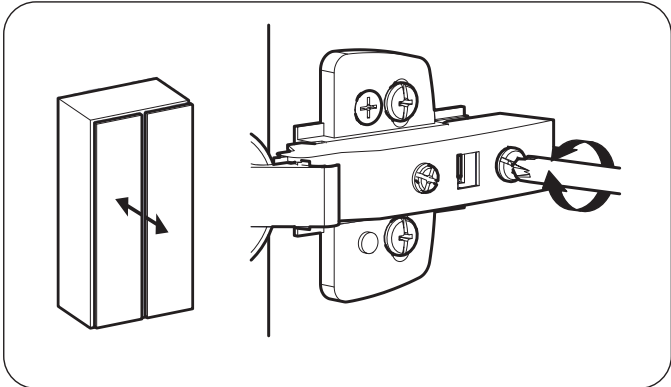
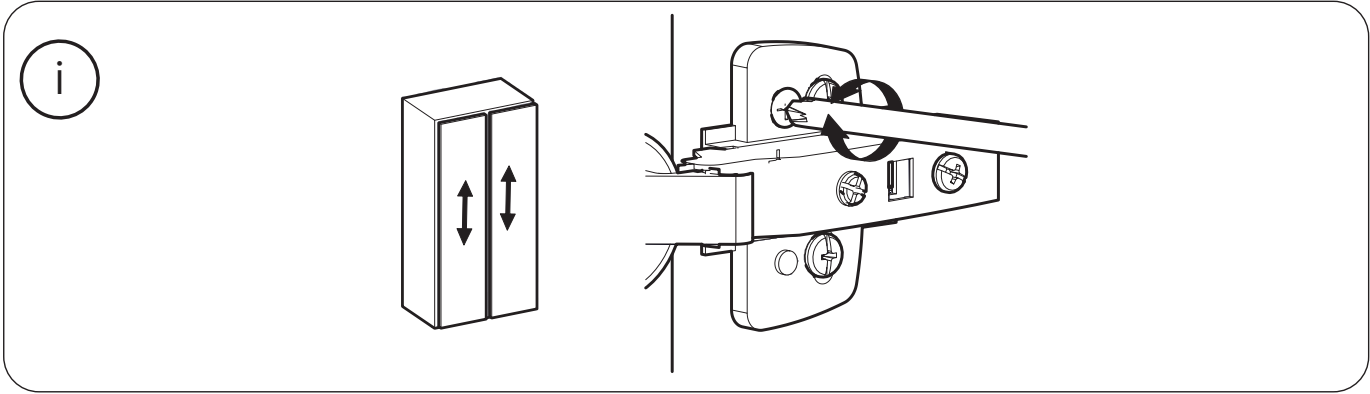
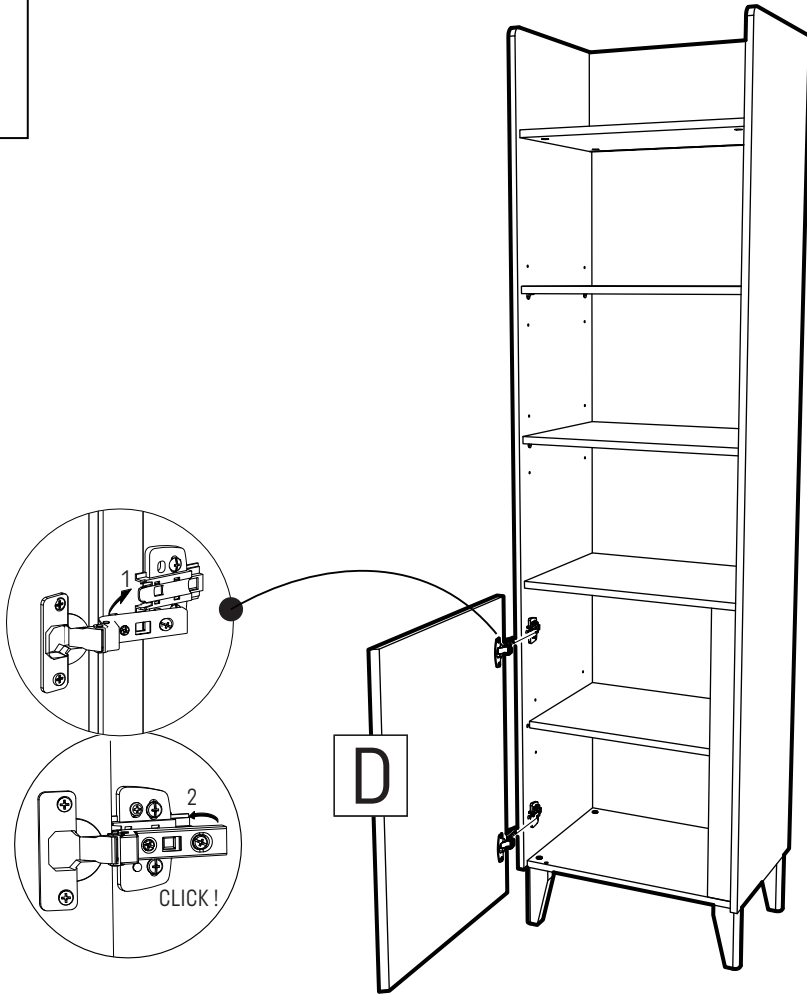
21





22

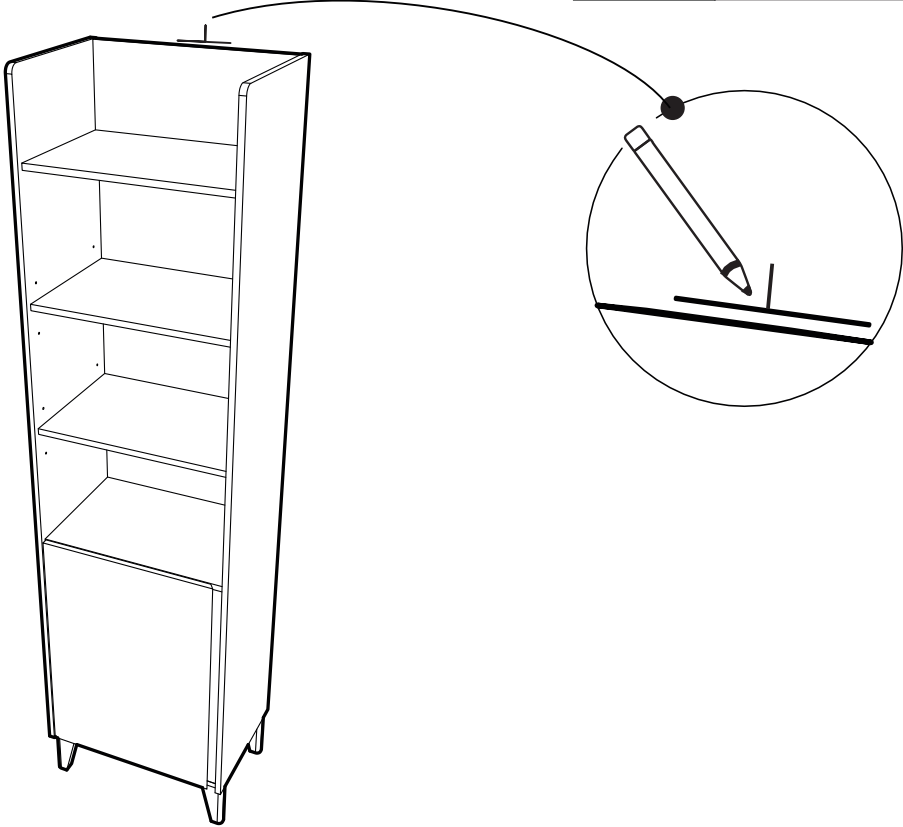


23

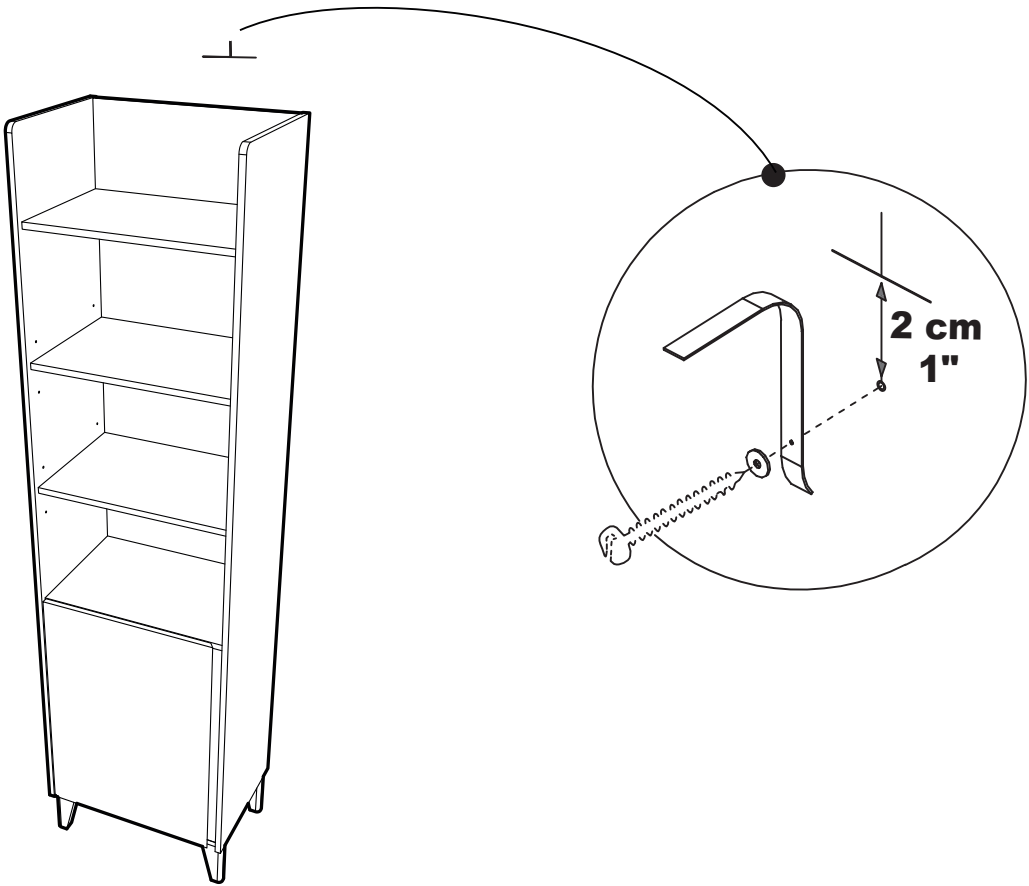


24

	1000893		x1
------------------------------------------------------------------------------------	---------	-------------------------------------------------------------------------------------	----



25



26

