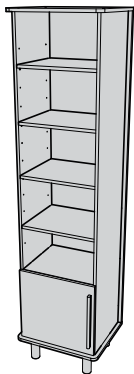


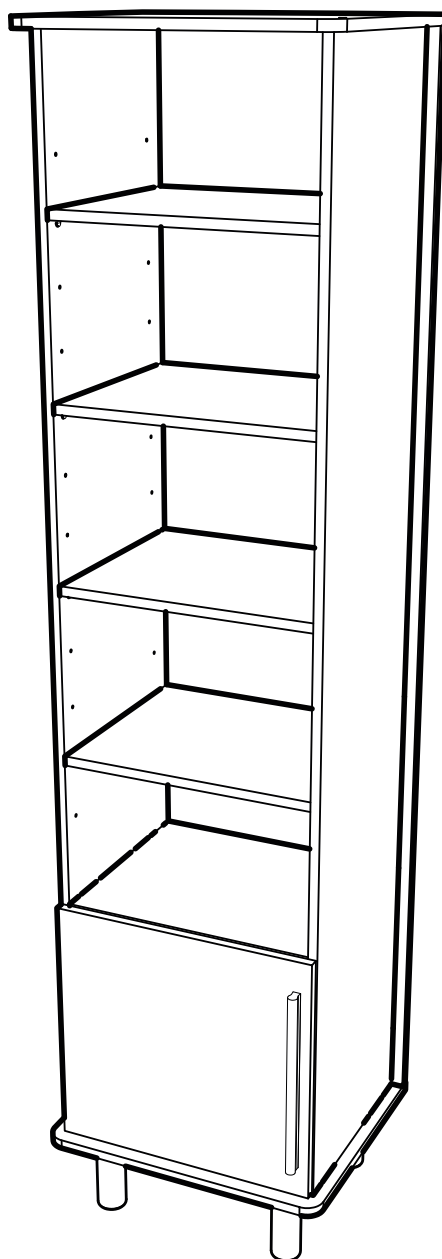
OMM

VOX

4022499_001



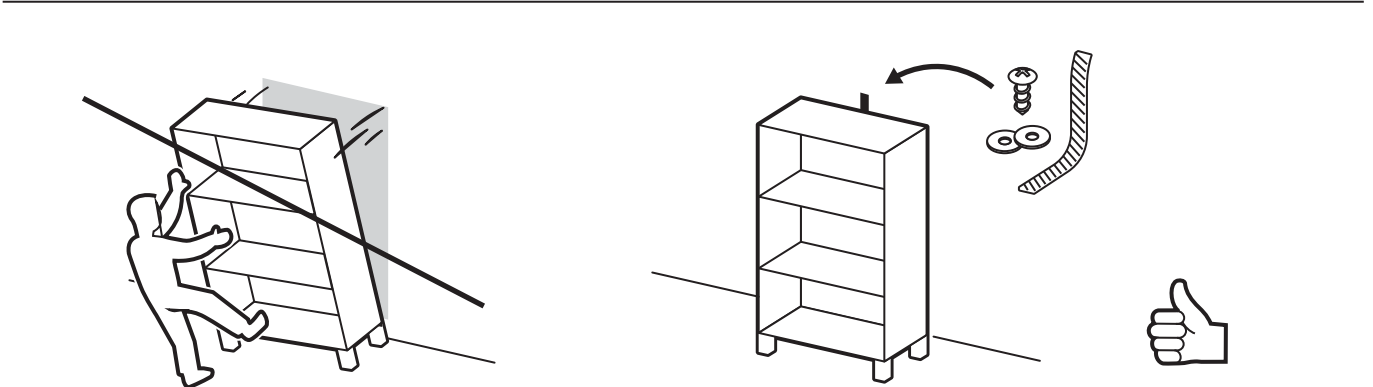
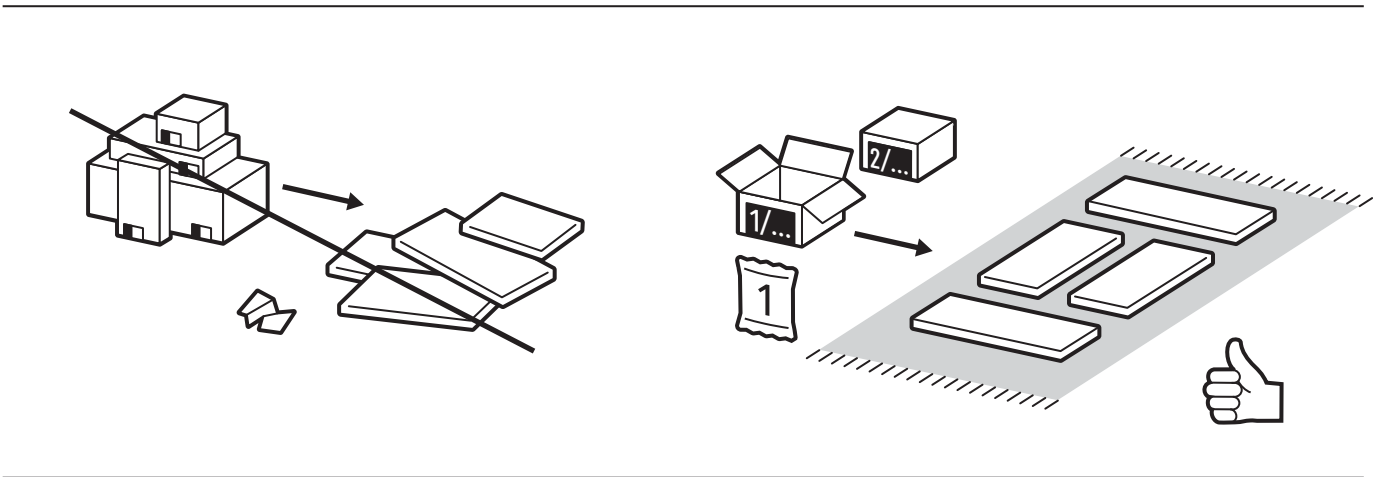
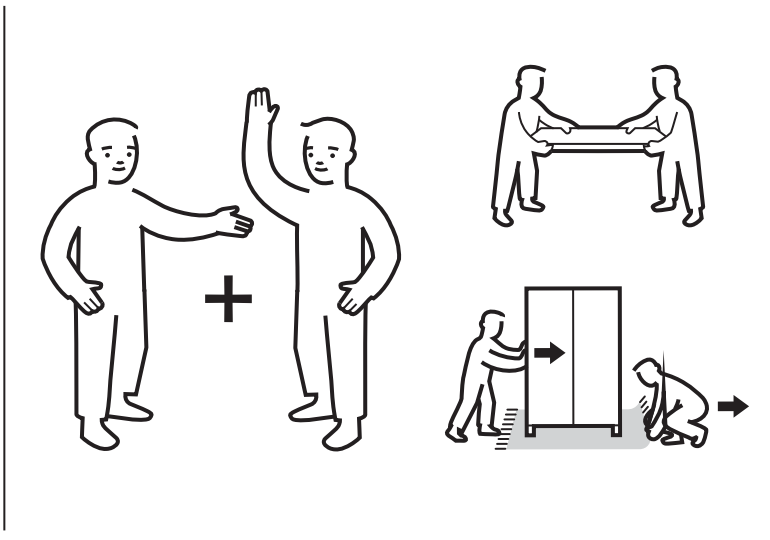
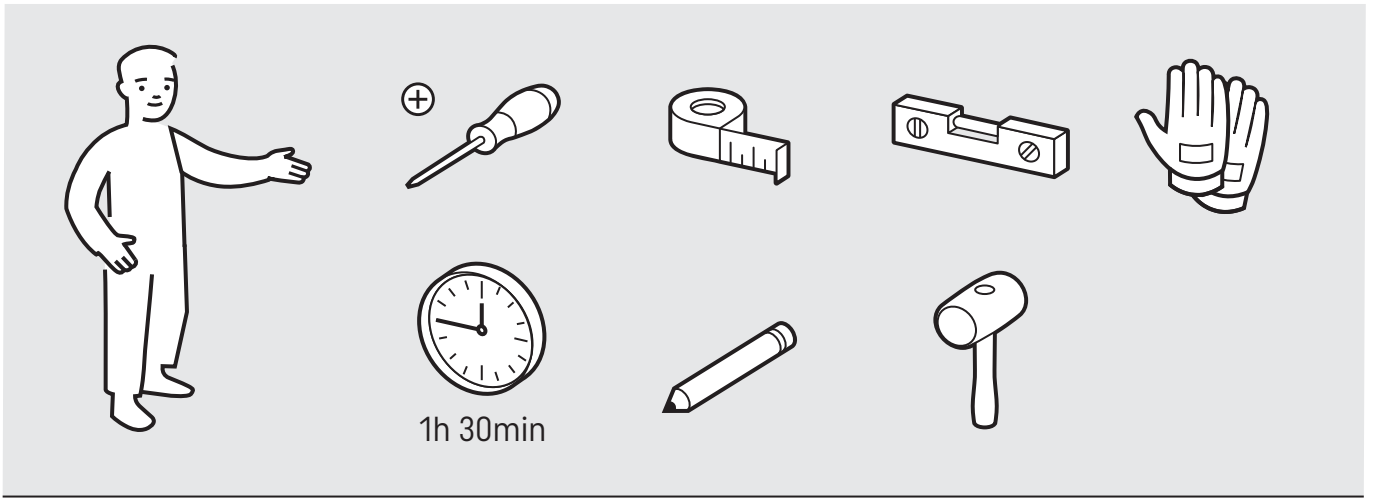
51x42,5x185,5 cm
20x16 1/2x73"

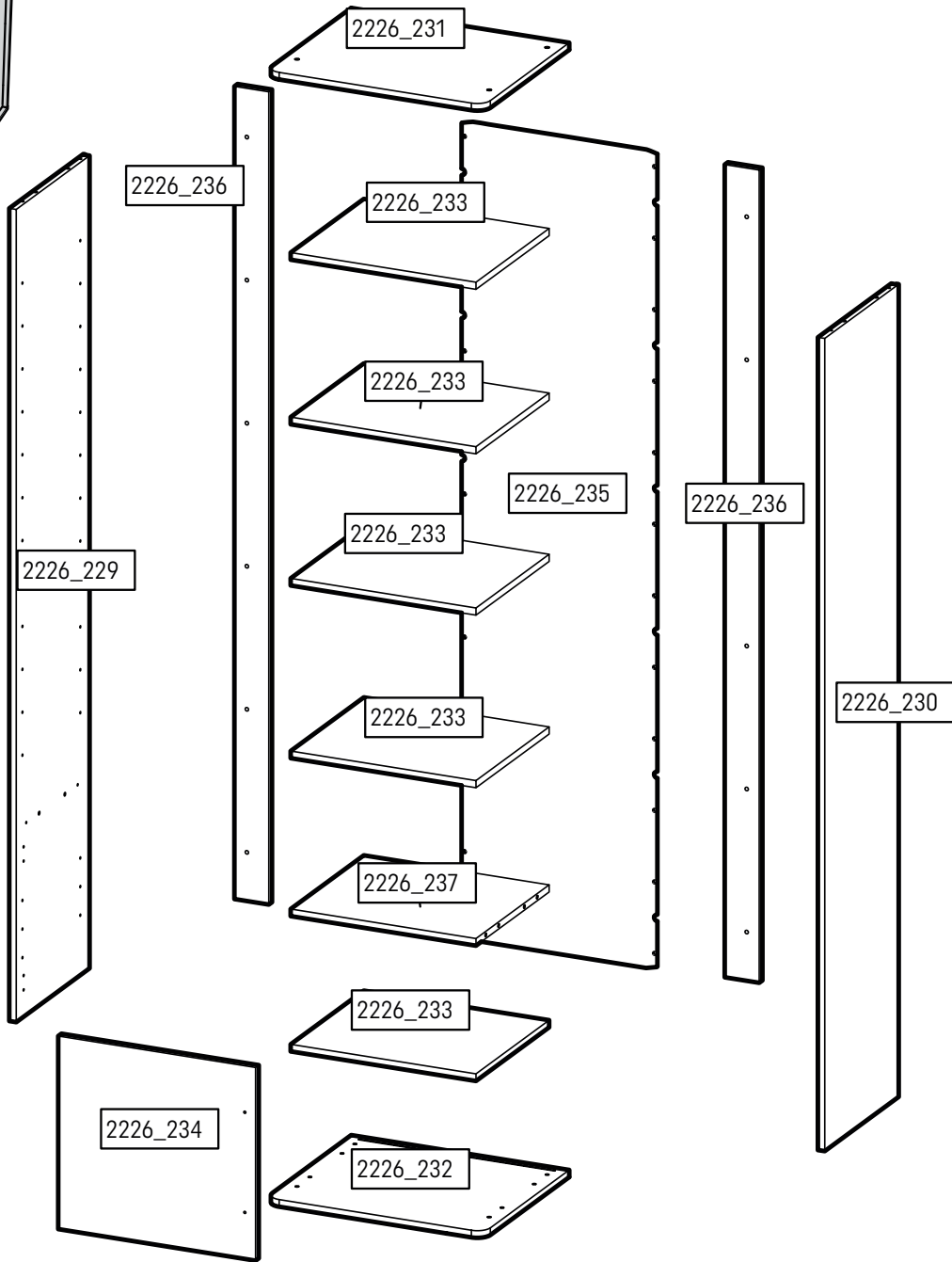
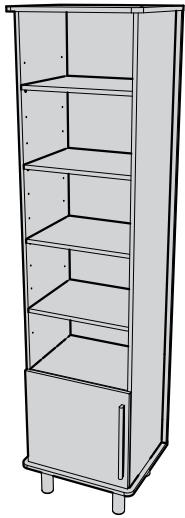


PL • vox.pl

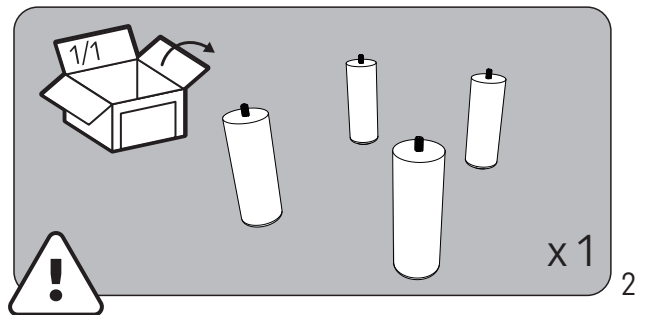
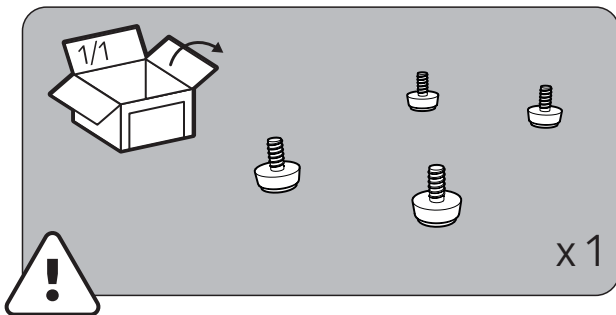
EU • voxfurniture.com

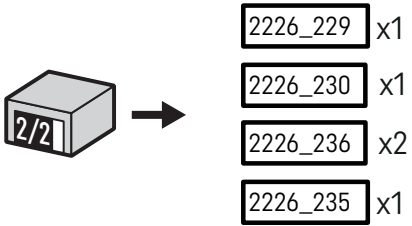
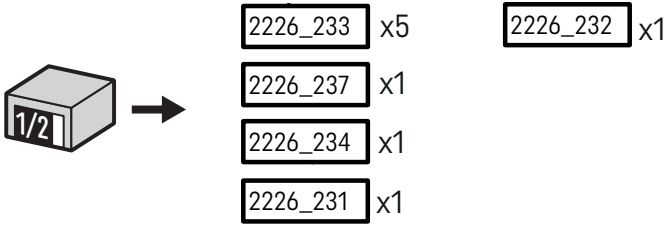
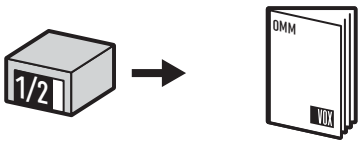
US • voelkelcorp.com


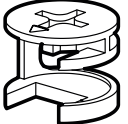

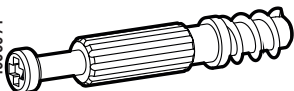


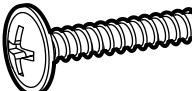
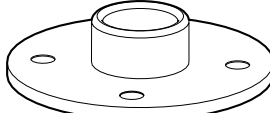



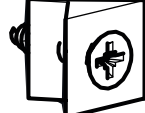
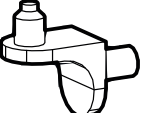
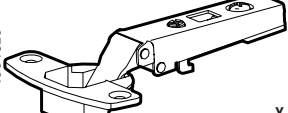
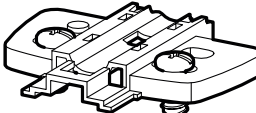


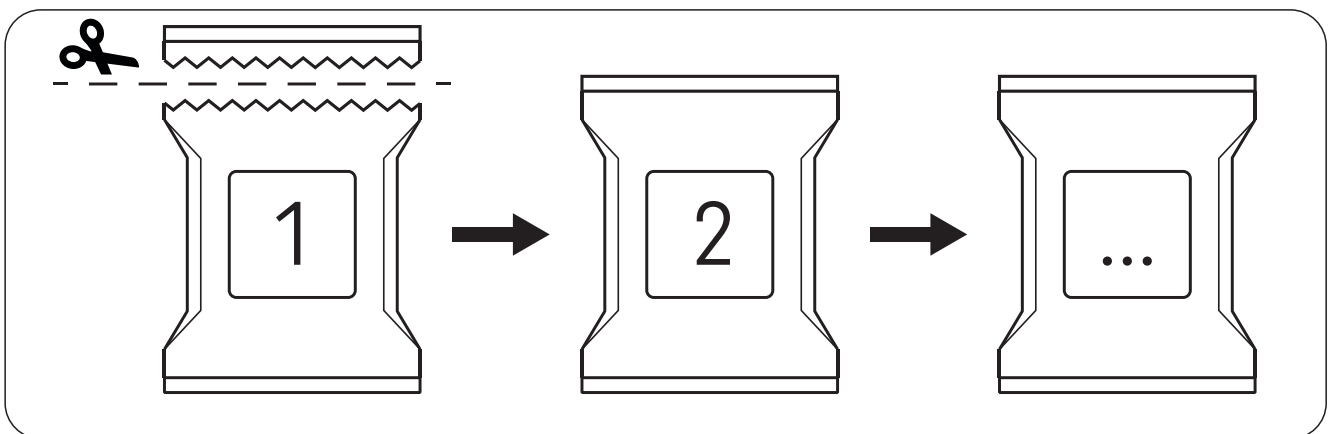


A

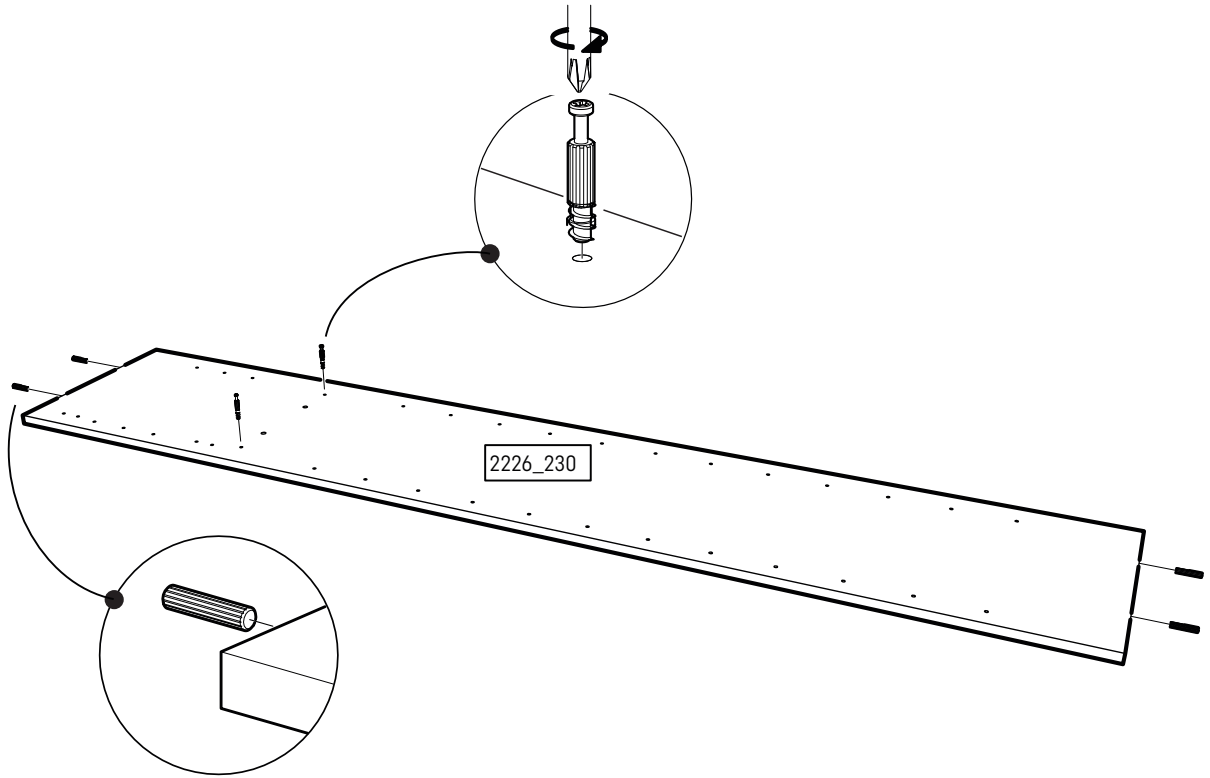
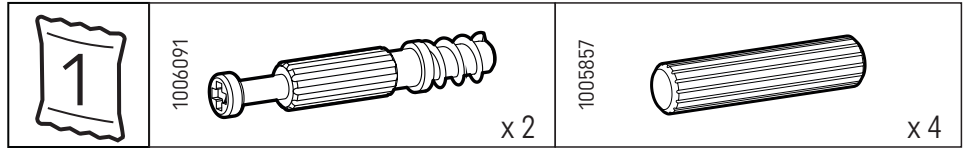




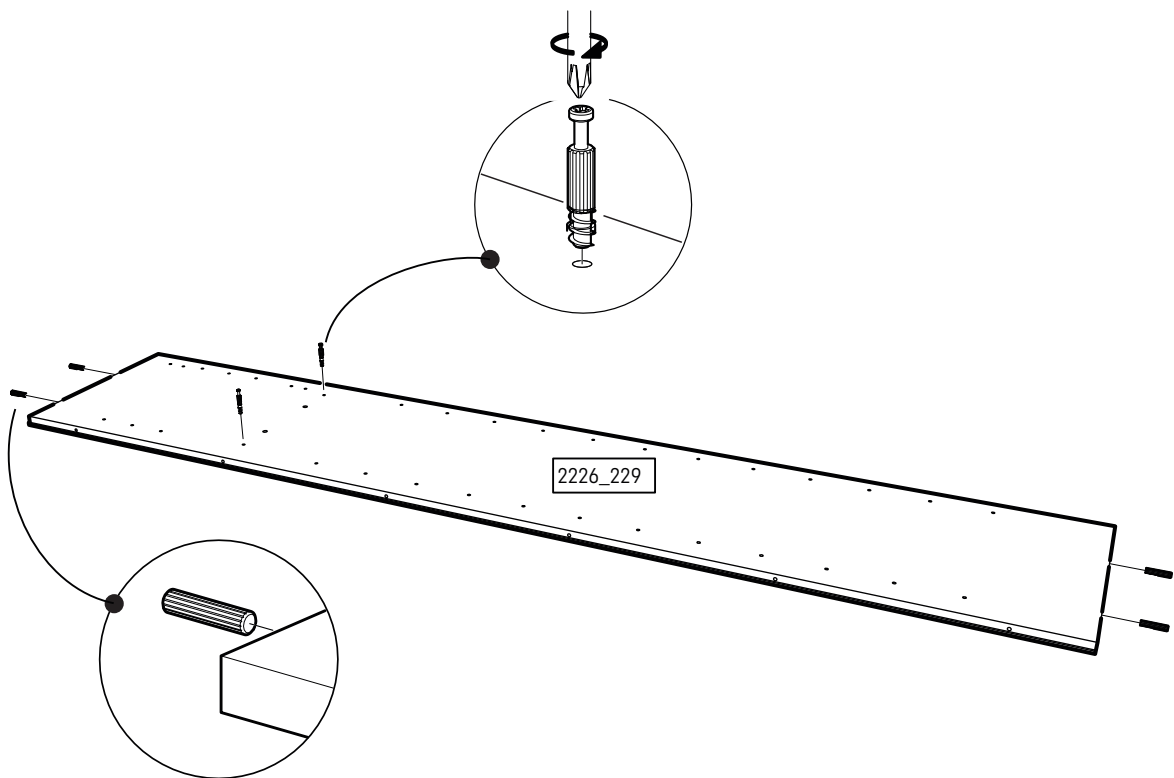
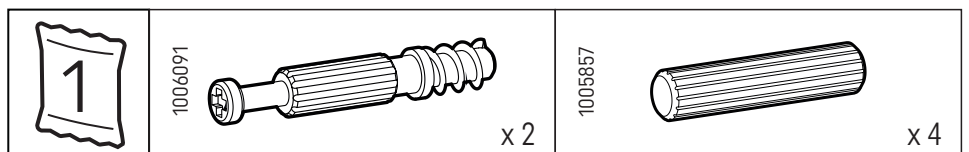
1000806  x 1	1005990  x 4	1005857  x 12	1006091  x 4
1005876  x 20	1005681  x 20	1006031  x 2	1101311  x 4
1006012  x 24	1133103  x 1	1000893  x 1	1006022  x 4
1001262  x 20	1004820  x 2	1003526  x 2	




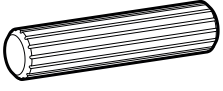
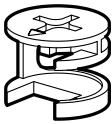
1

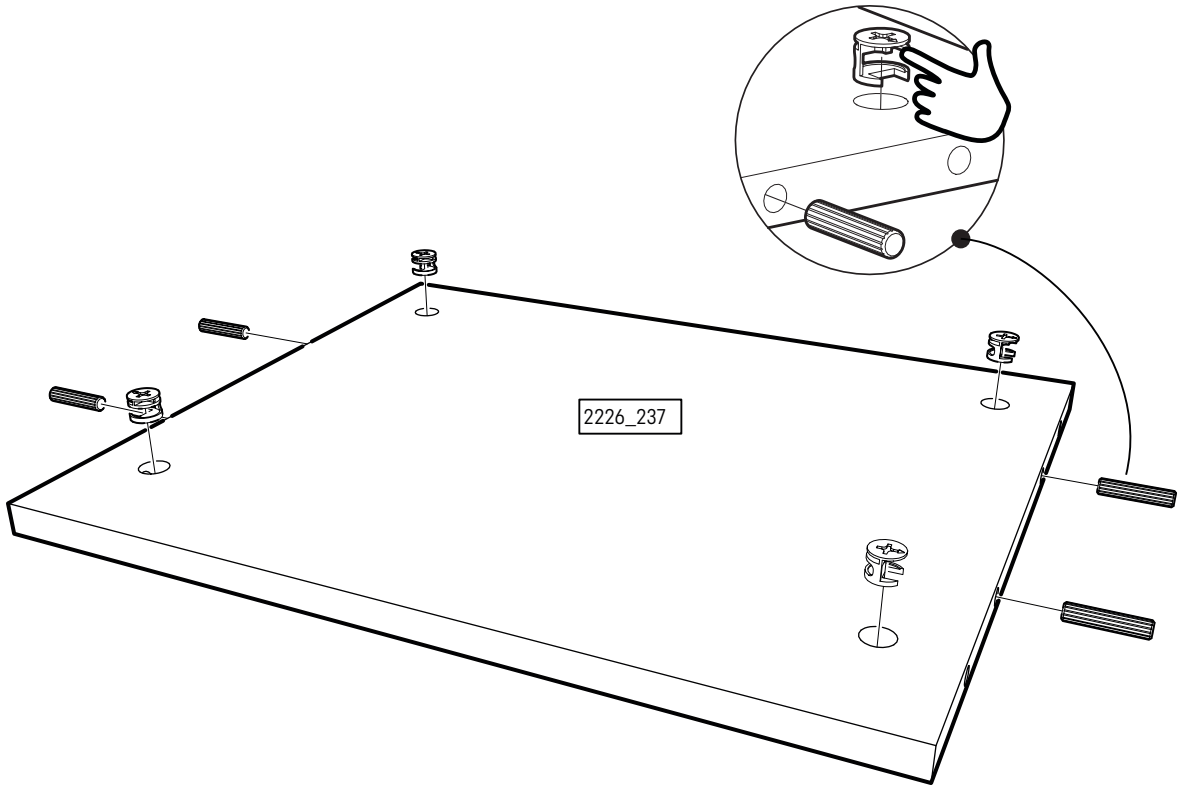


2

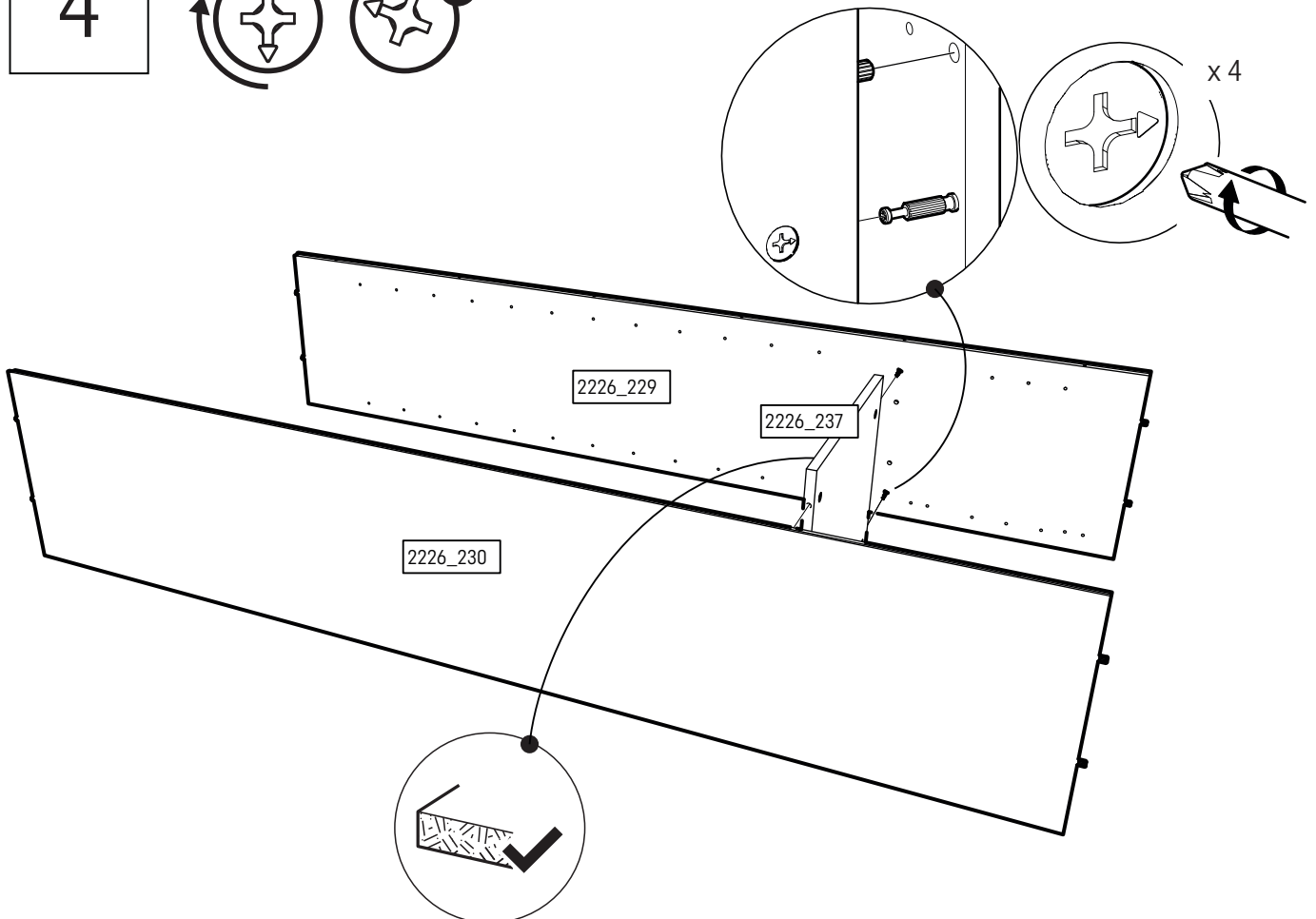
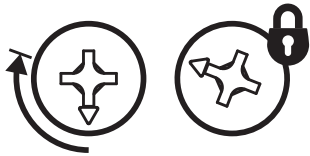


3

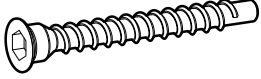
 <p>1</p>	1005857		x 4	1005990		x 4
--	---------	---	-----	---------	---	-----

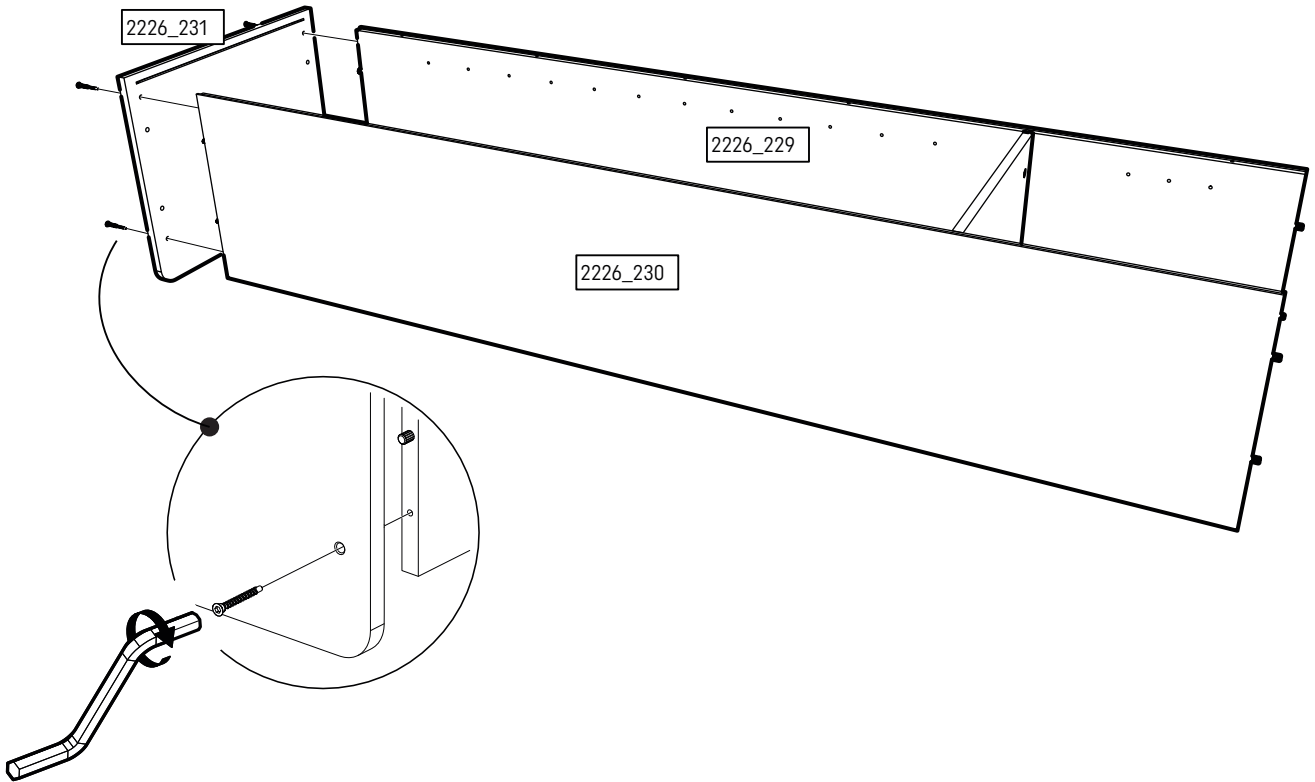


4

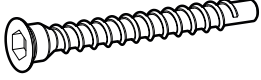


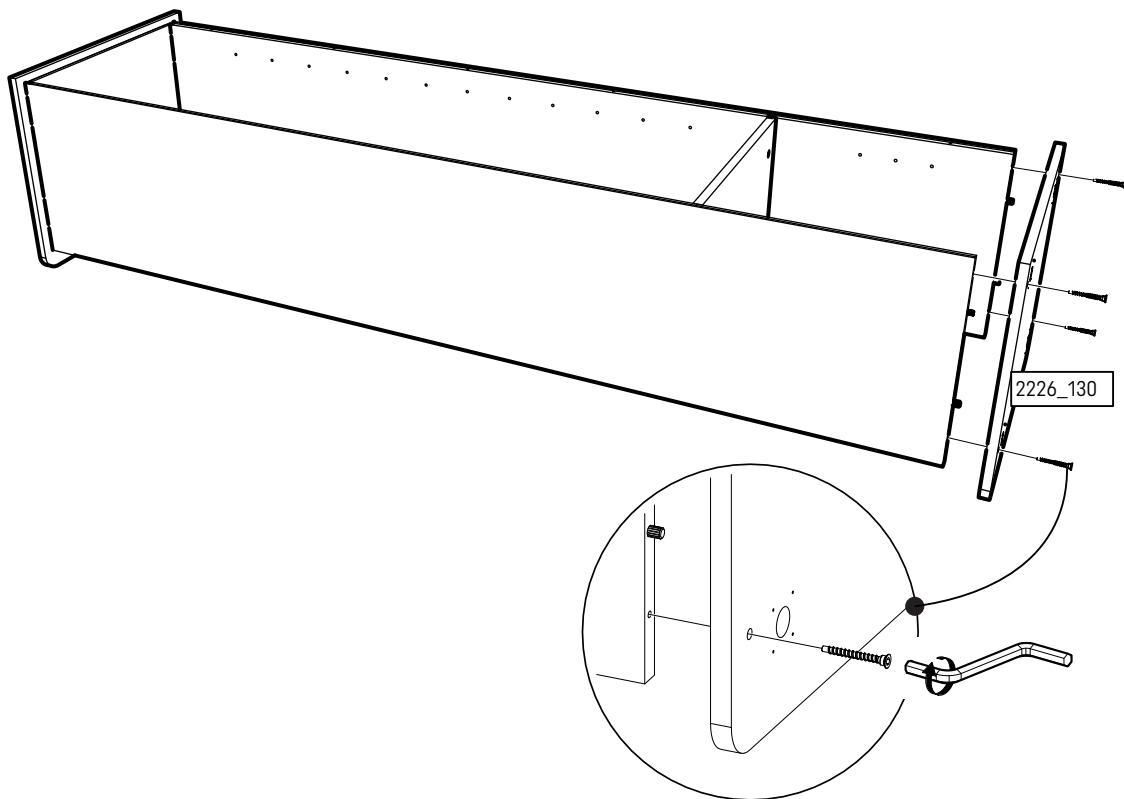
5

1	1005876		x 4
---	---------	---	-----

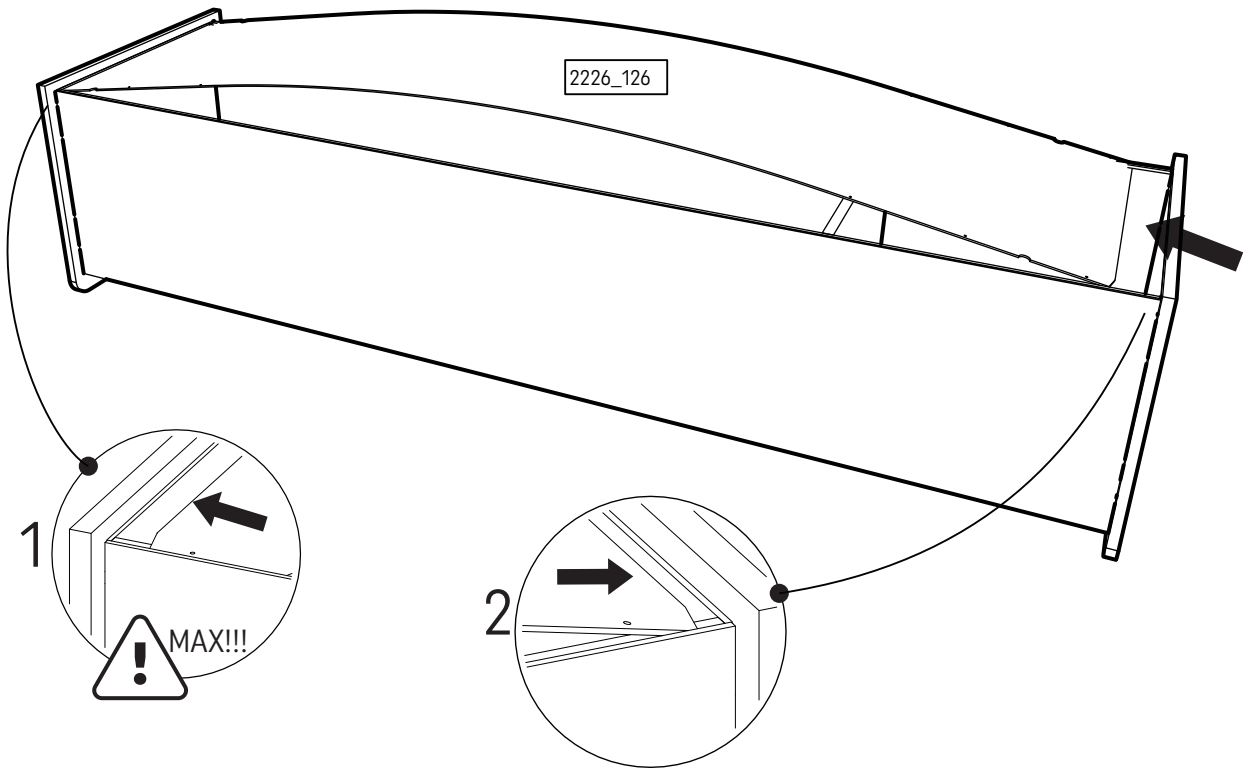


6

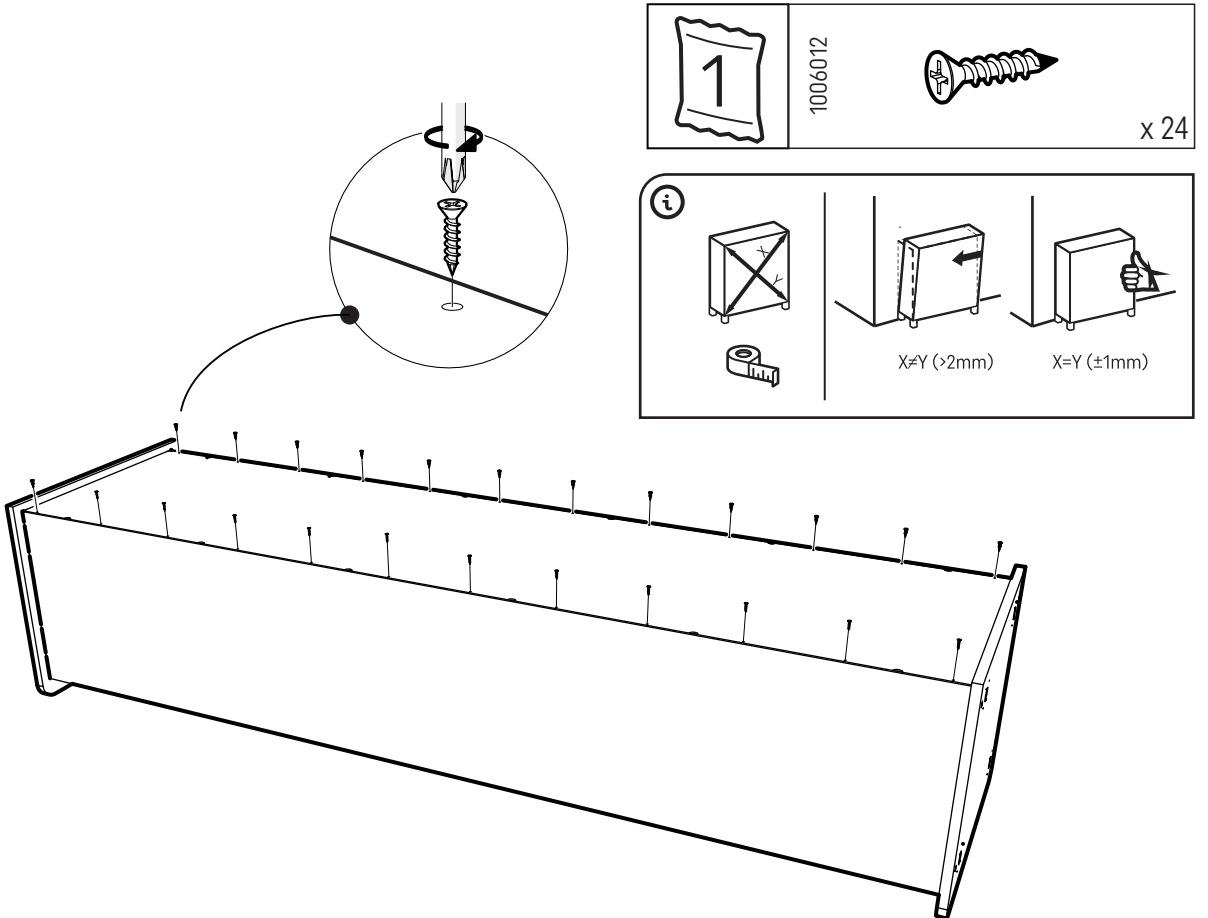
1	1005876		x 4
---	---------	---	-----



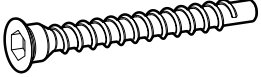
7

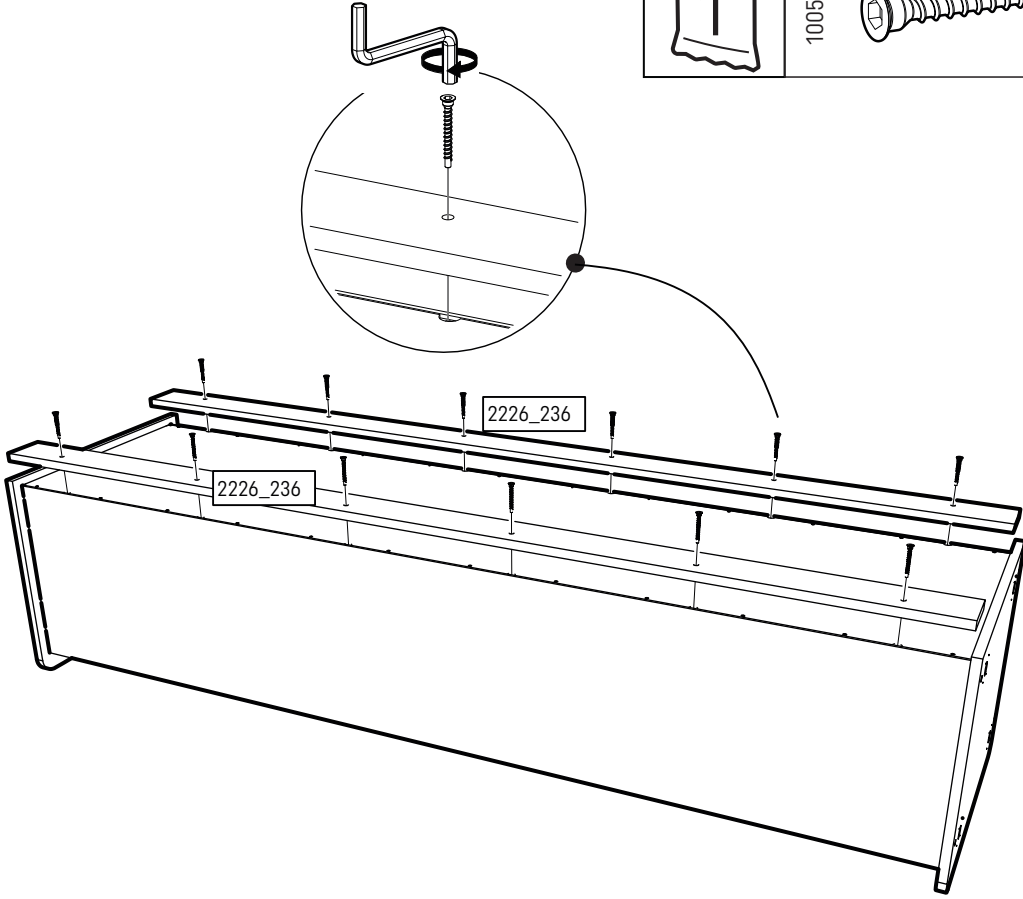


8

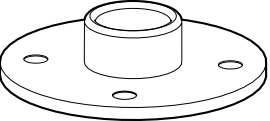



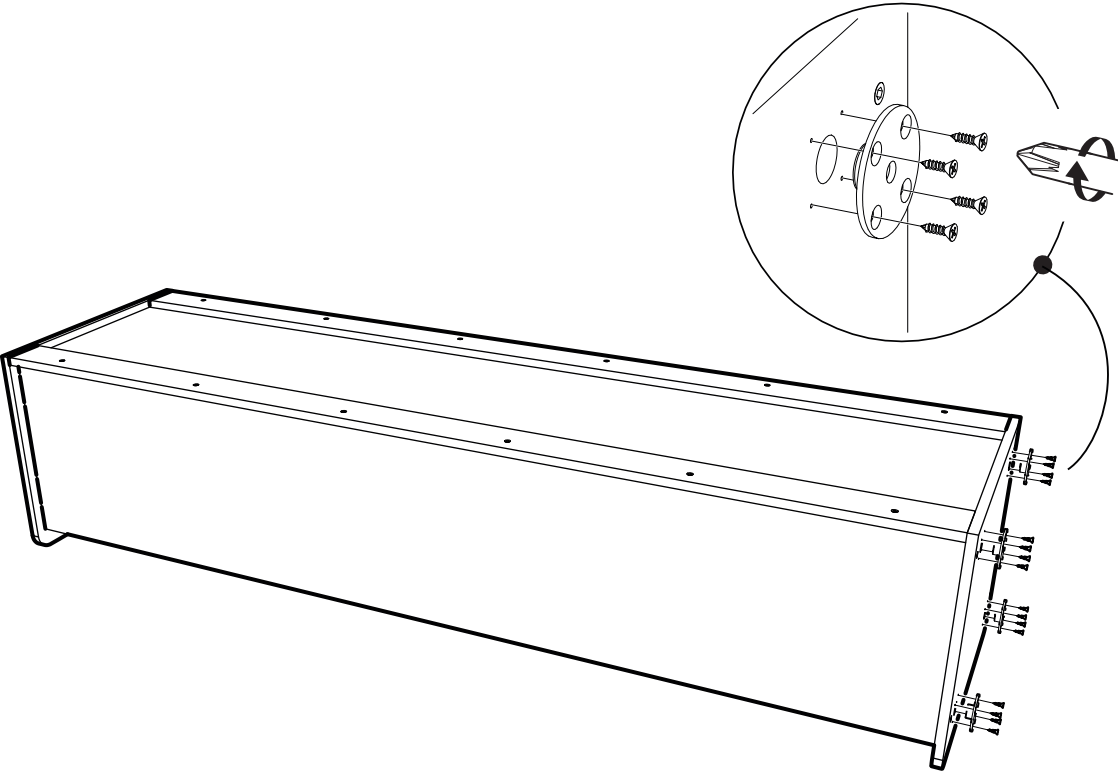
9

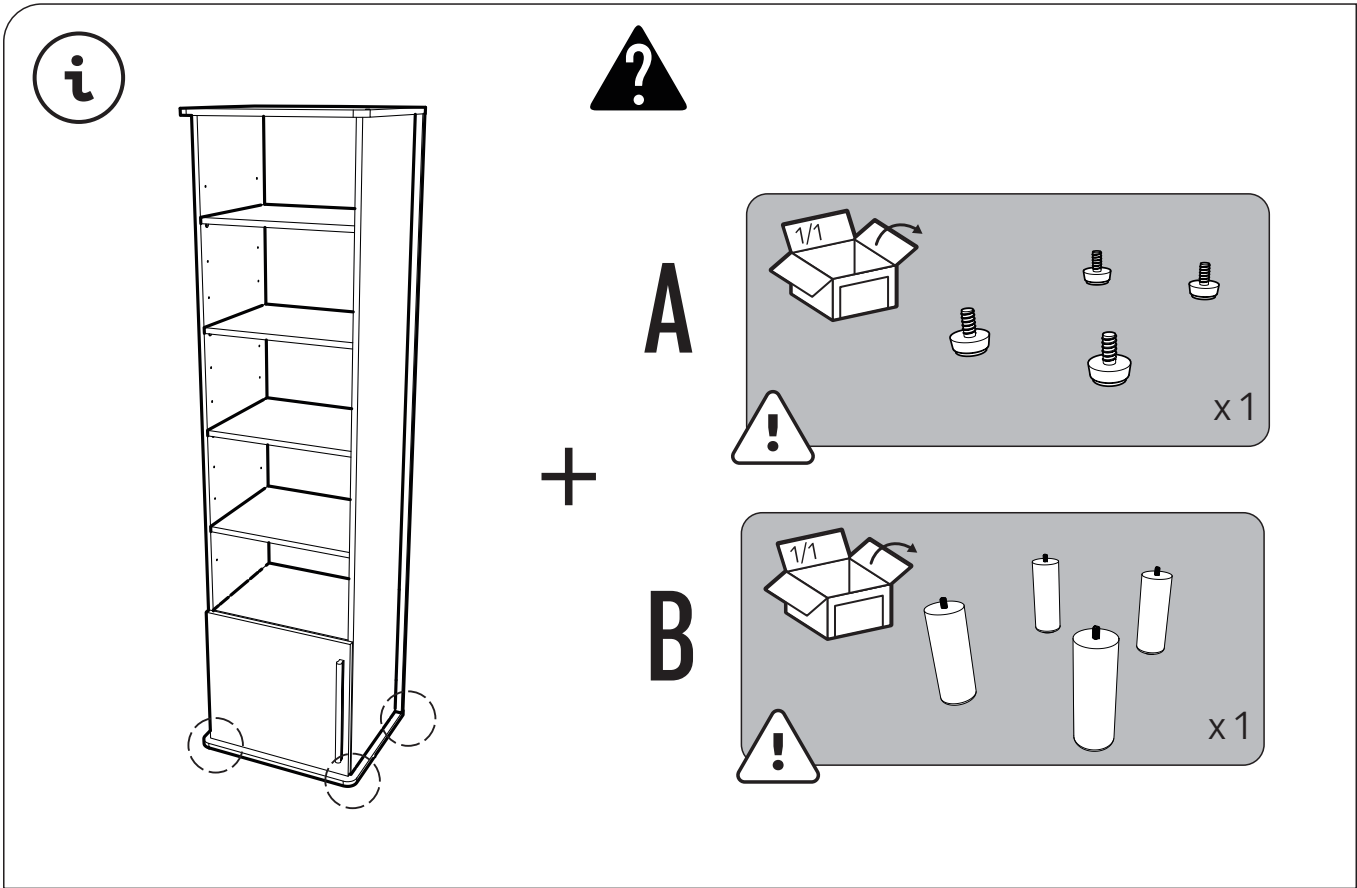
1	1005876		x 12
---	---------	---	------



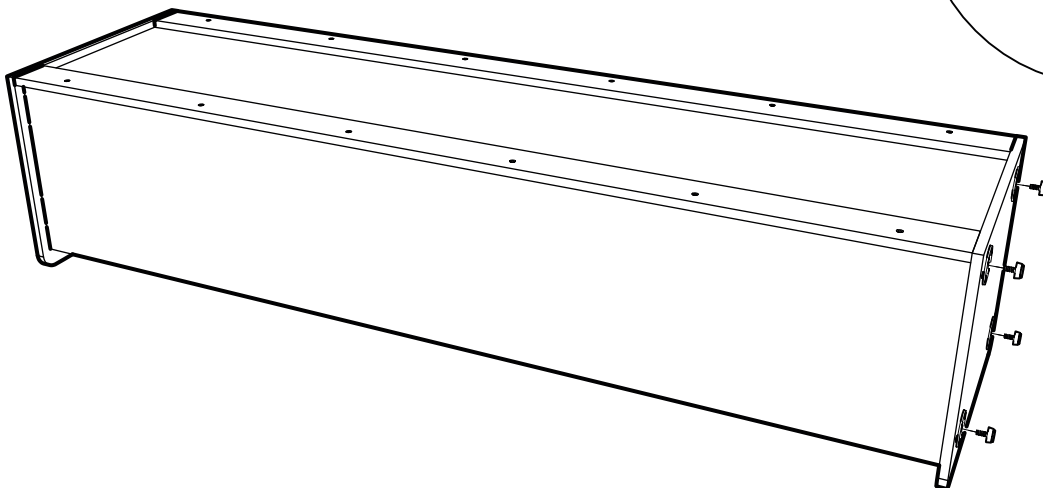
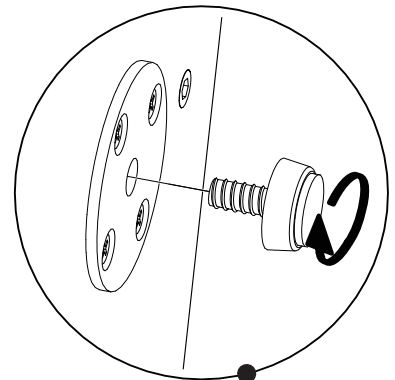
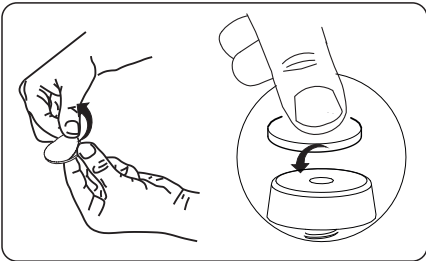
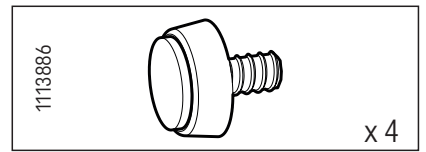
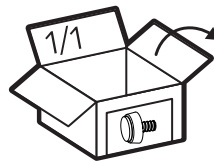
10

2	1101311		x 4	1005681		x 16
---	---------	--	-----	---------	---	------

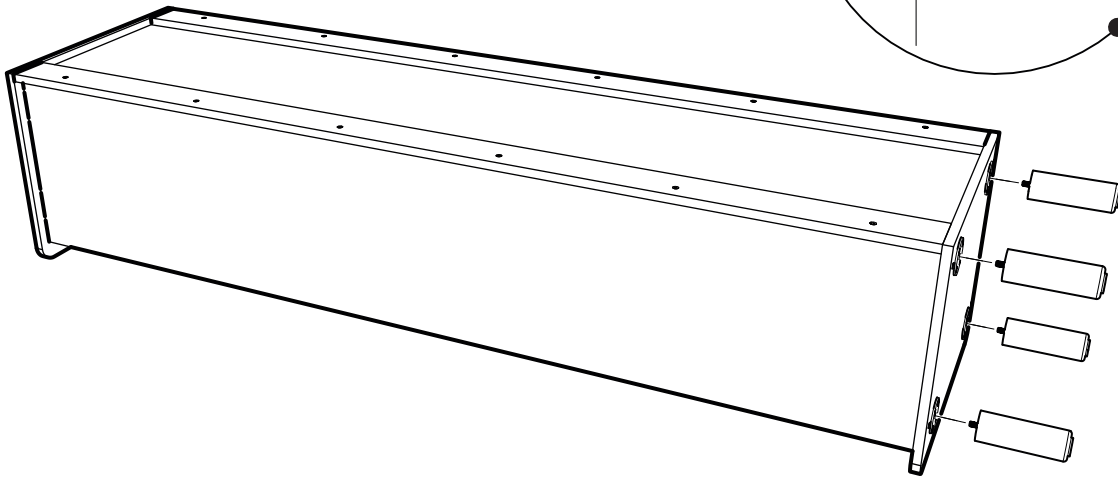
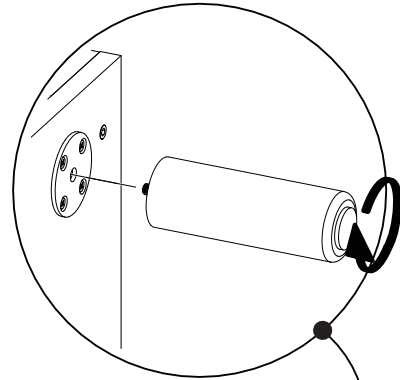
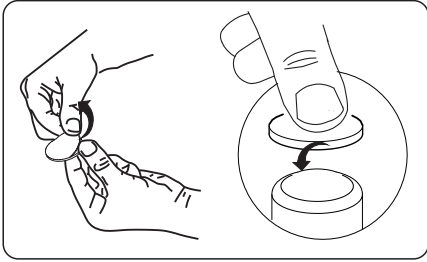
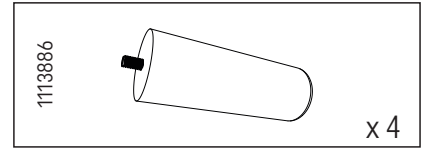
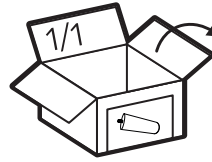




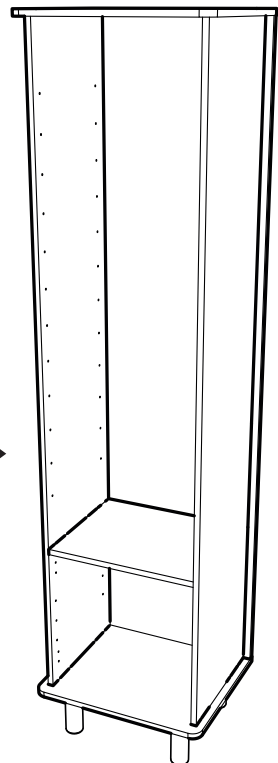
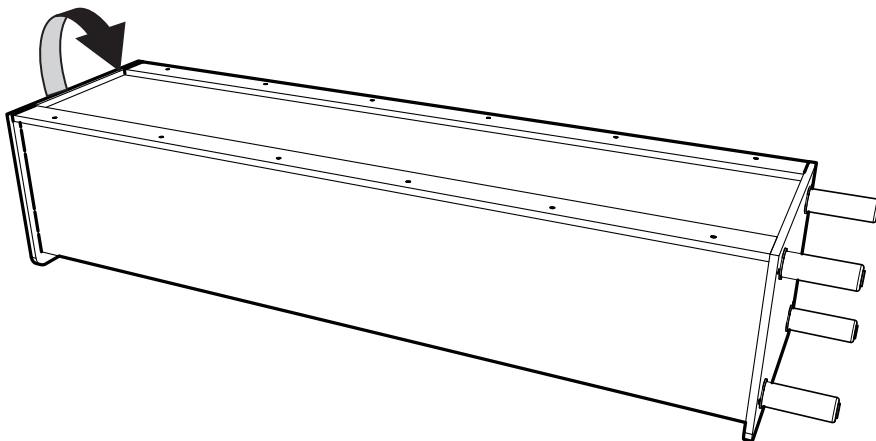
11A



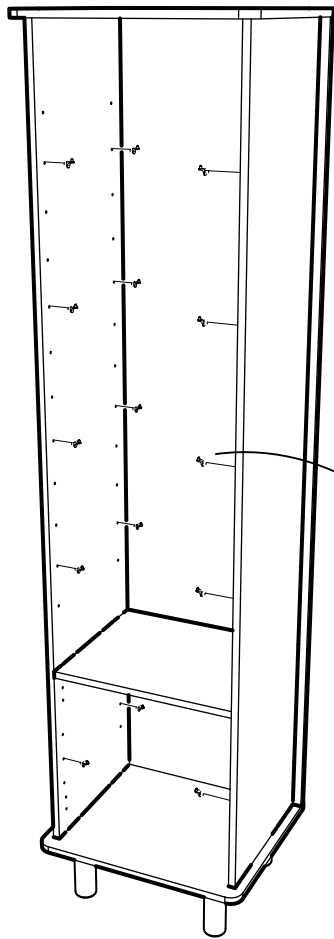
11B


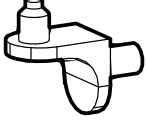


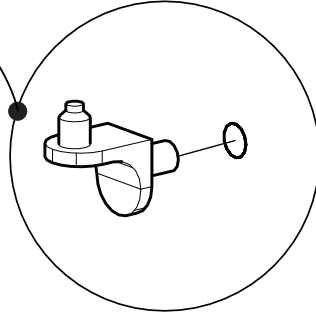
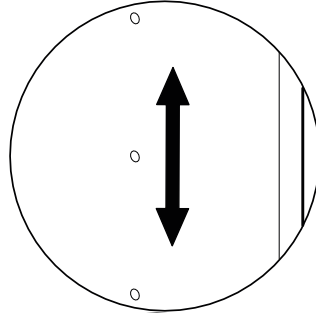
12



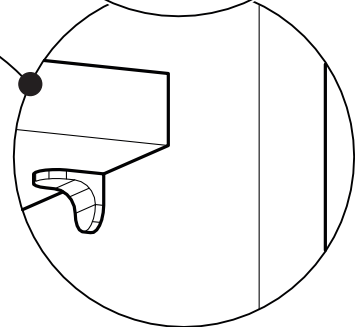
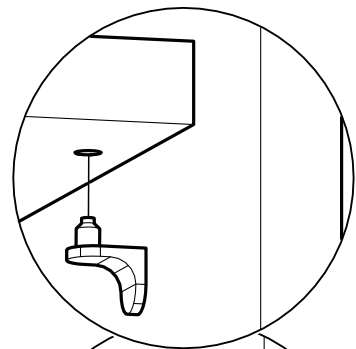
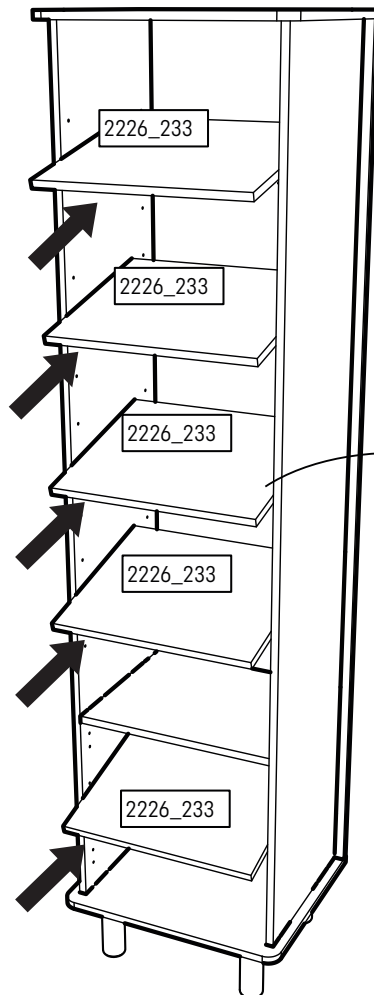
13



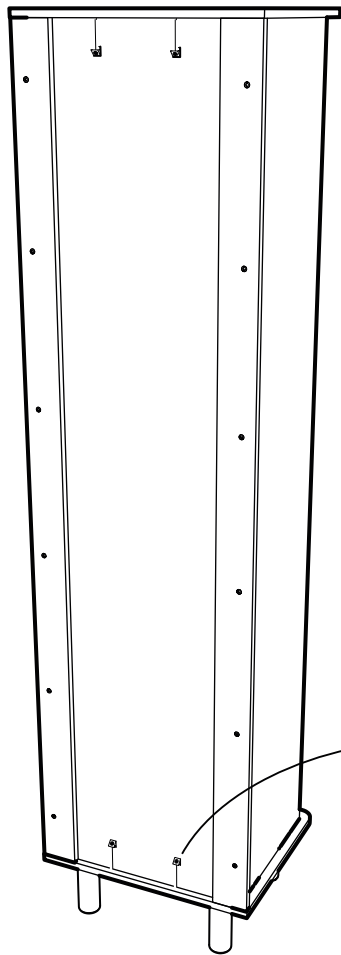
	1001262		x 20
--	---------	---	------


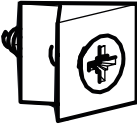



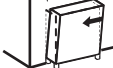


14

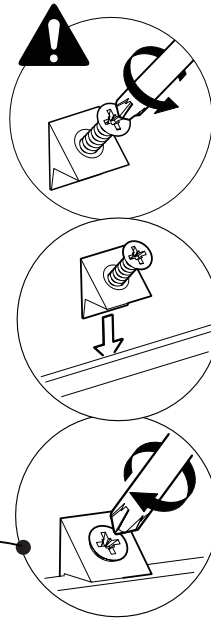



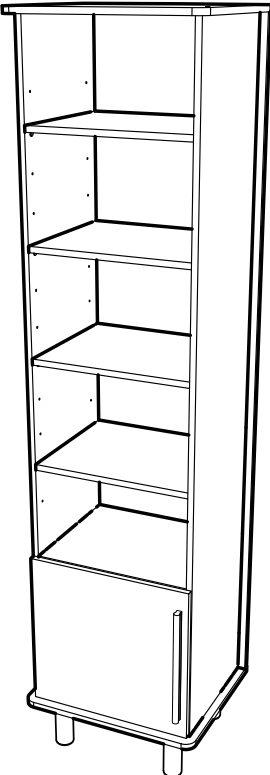
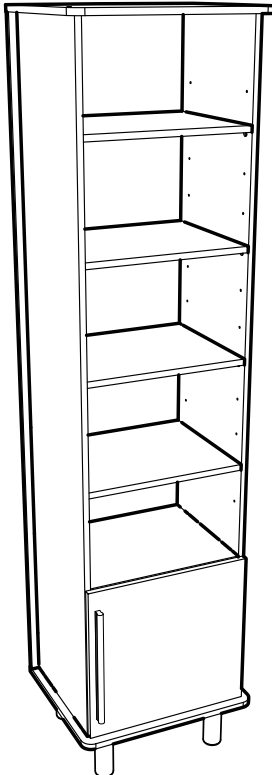
15





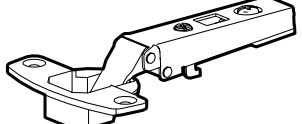
	1006022		x 4
--	---------	---	-----

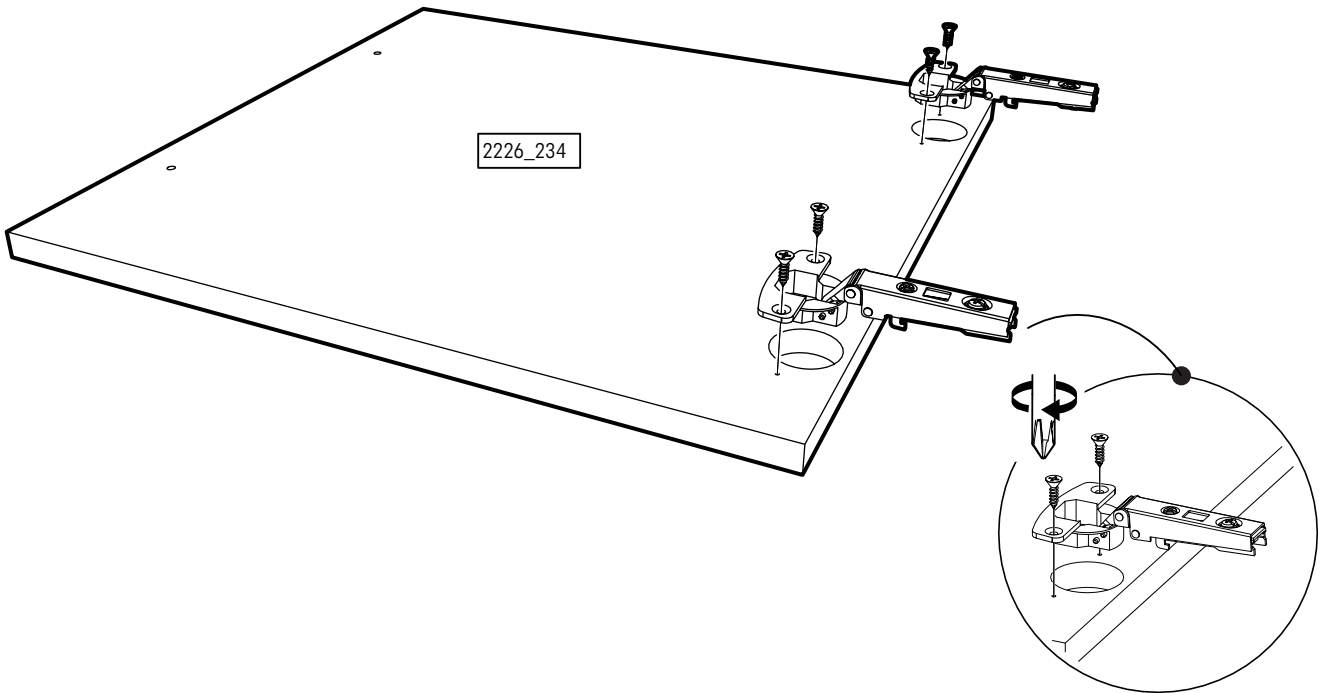
		
	$X \neq Y (>2mm)$	$X = Y (\pm 1mm)$




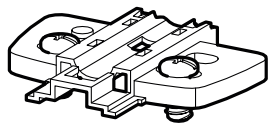
	C	D
		

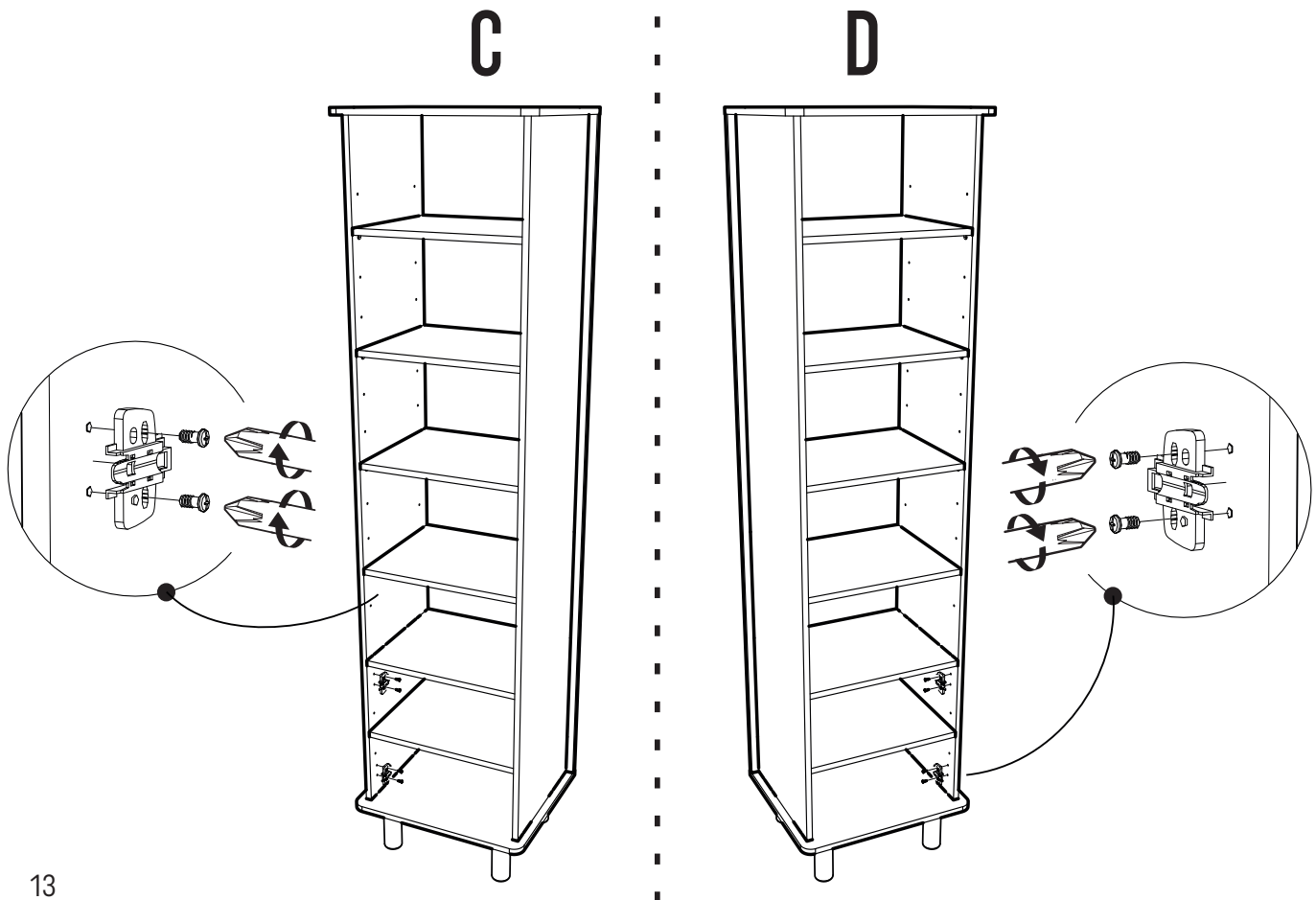
16

 <p>2</p>	1005681	 <p>x 4</p>	1004820  <p>x 2</p>
--	---------	--	---



17

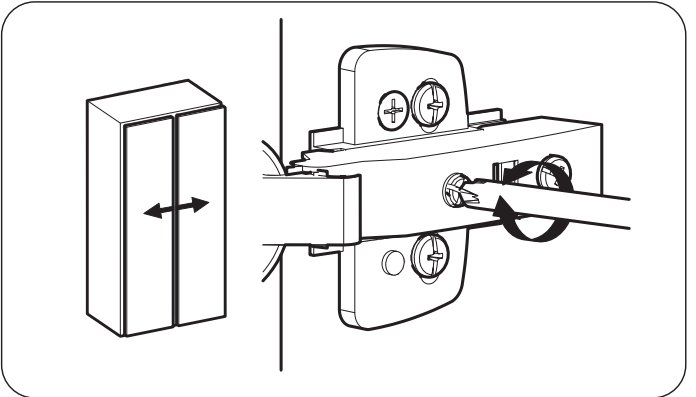
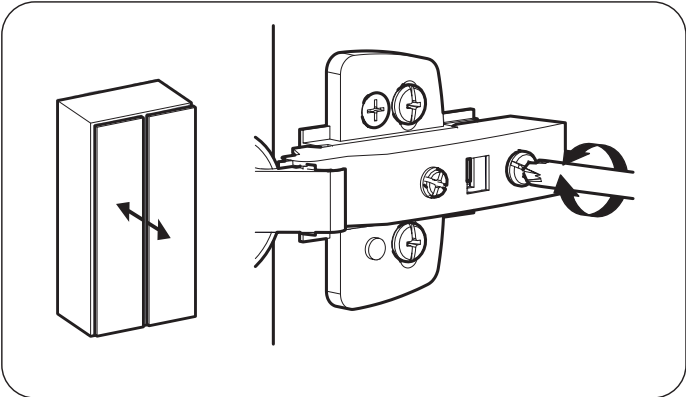
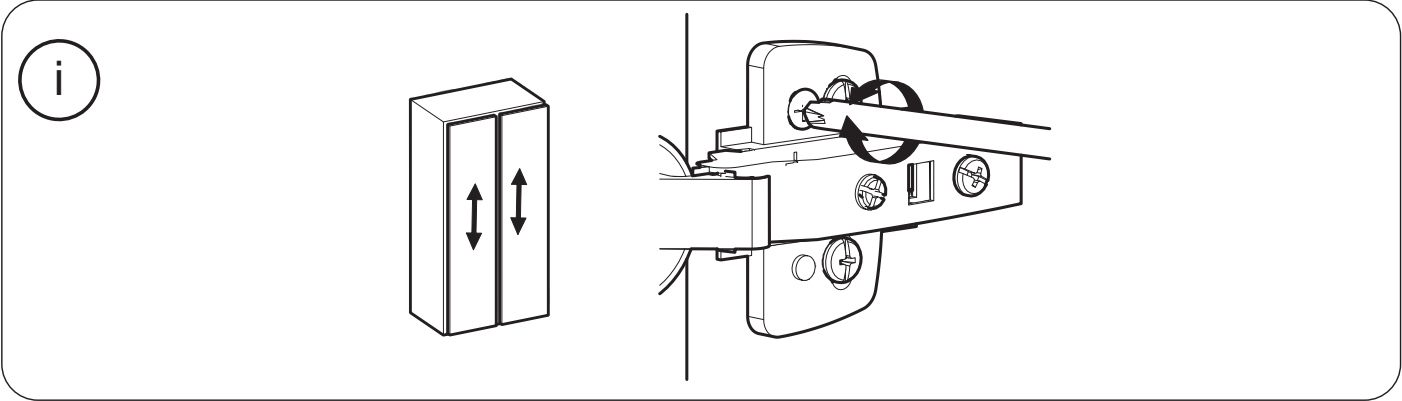
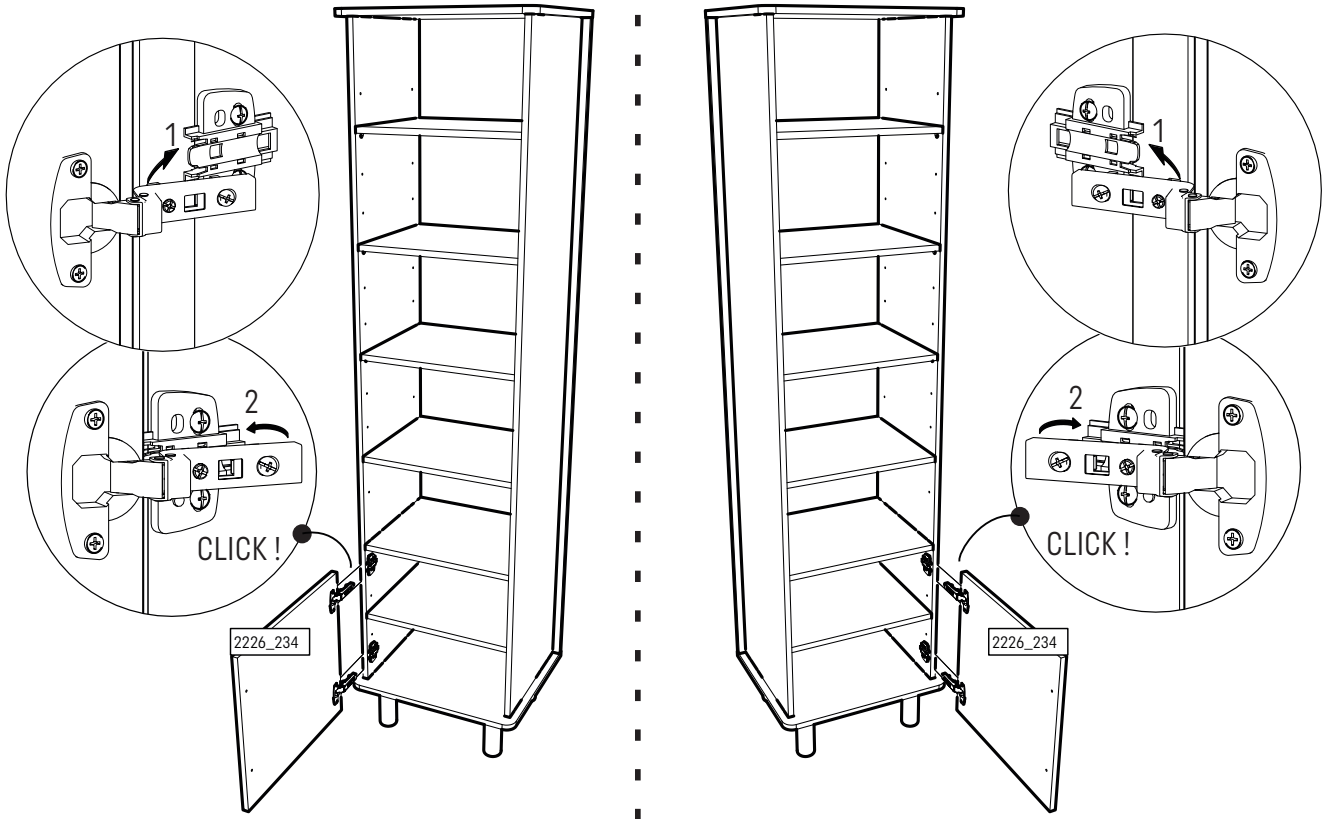
 <p>3</p>	1003526	 <p>x 2</p>
---	---------	--




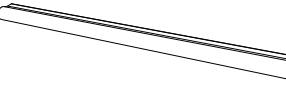
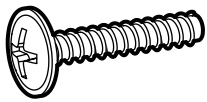
18

C

D

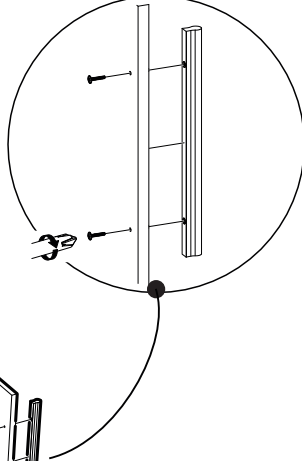
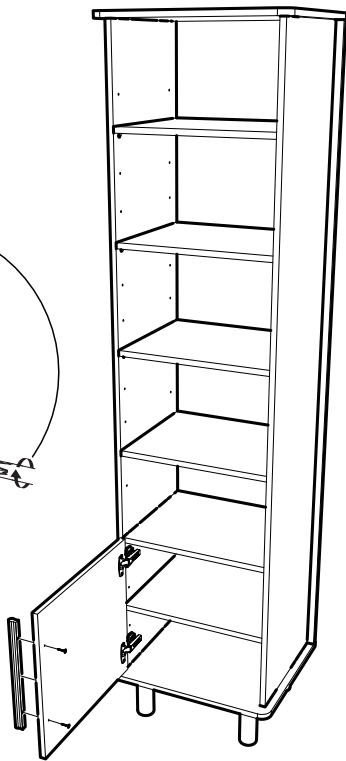
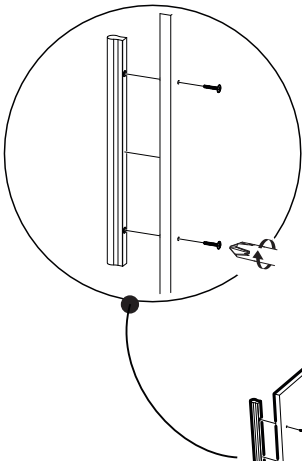


19



	1133103		x1	1006031		x2
---	---------	--	----	---------	---	----

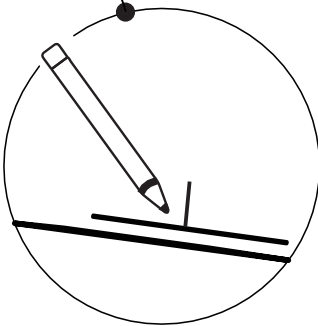
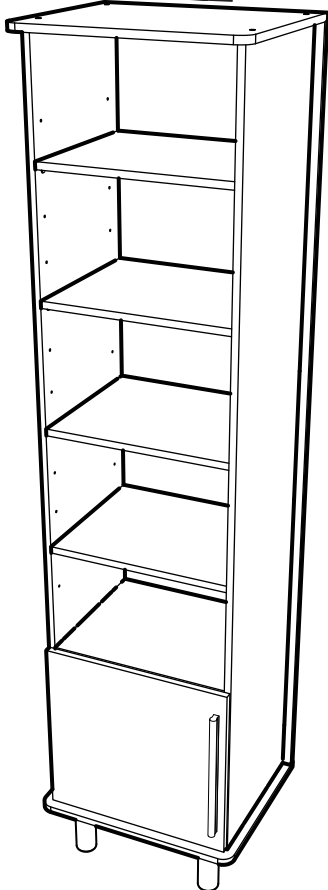
C

D

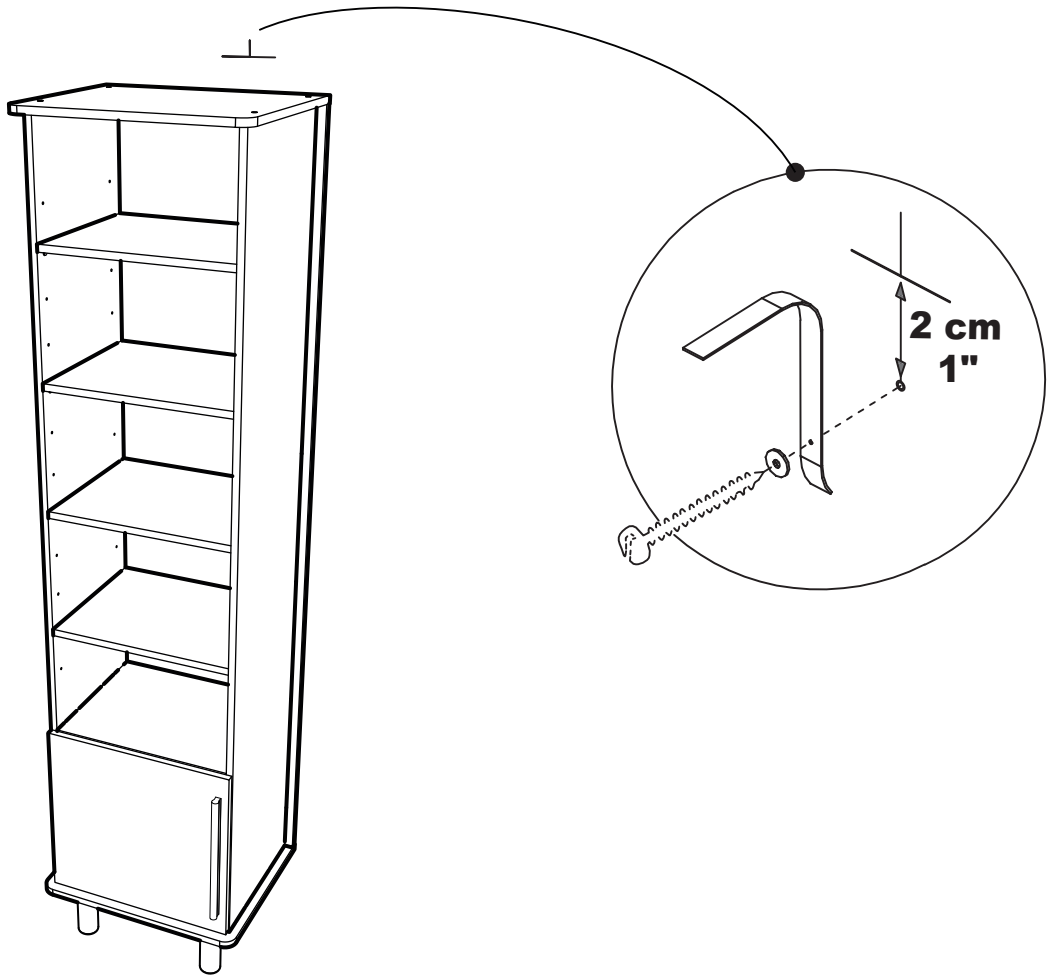


20

	1000893		x1
--	---------	---	----



21



22

