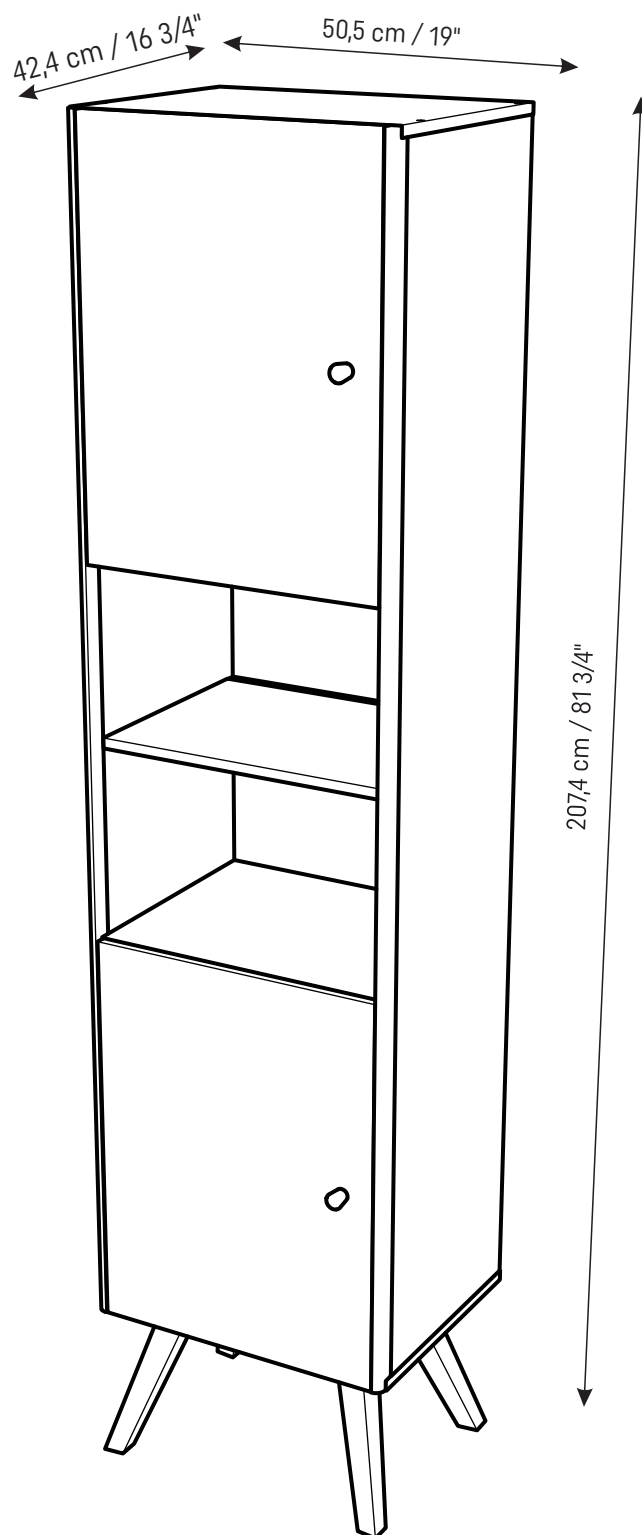


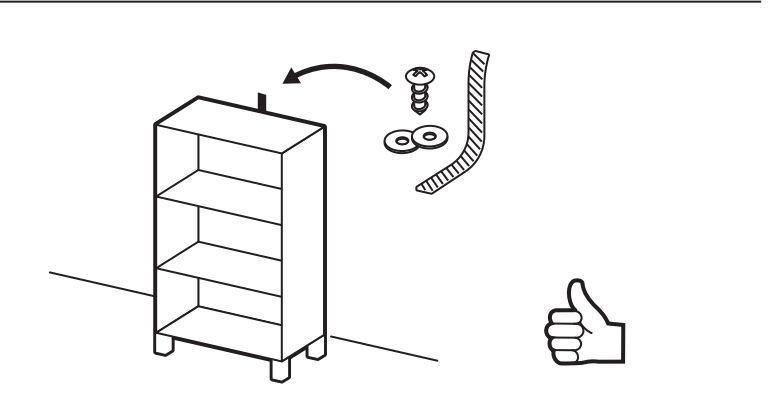
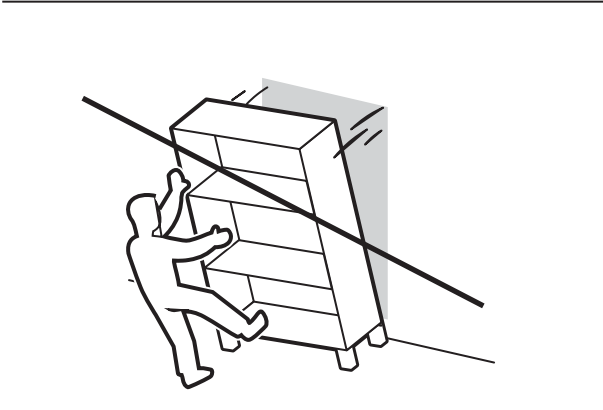
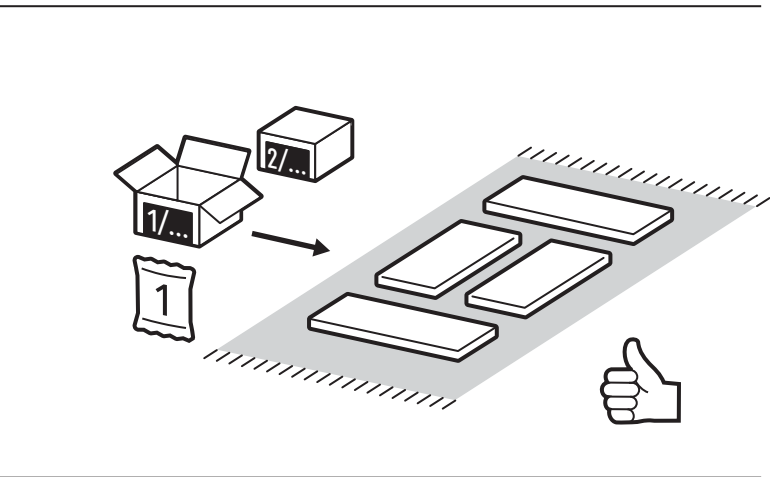
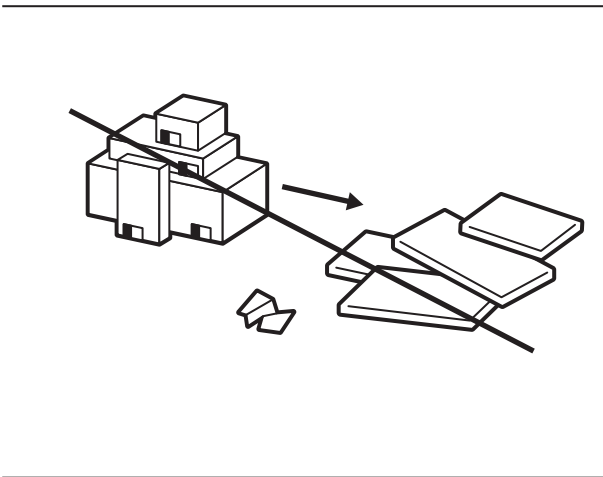
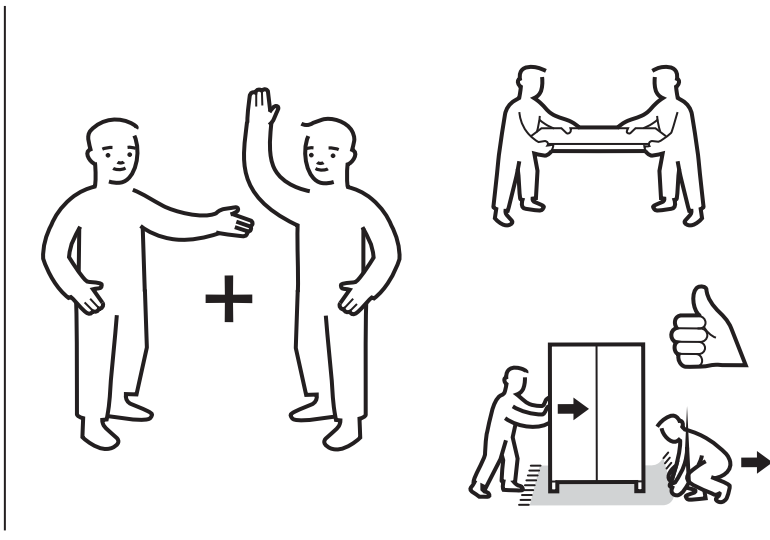
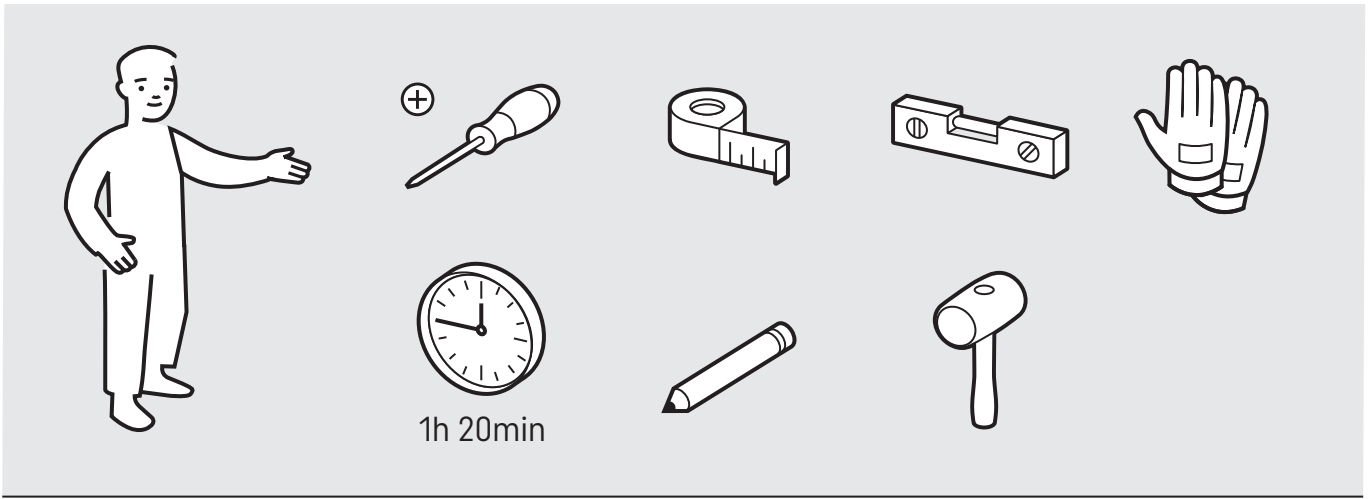
NATURE

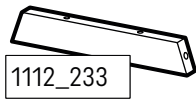
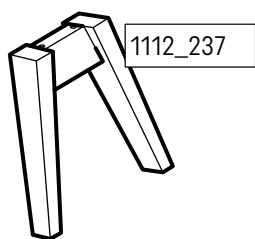
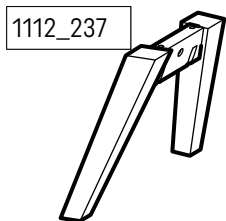
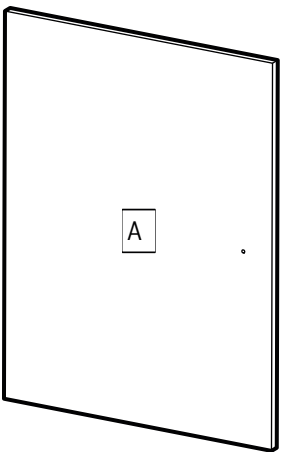
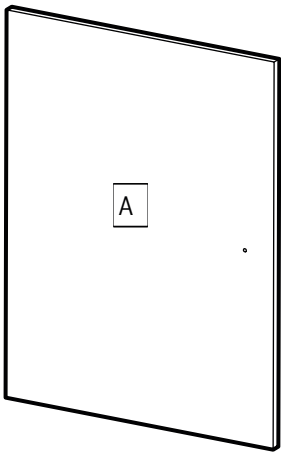
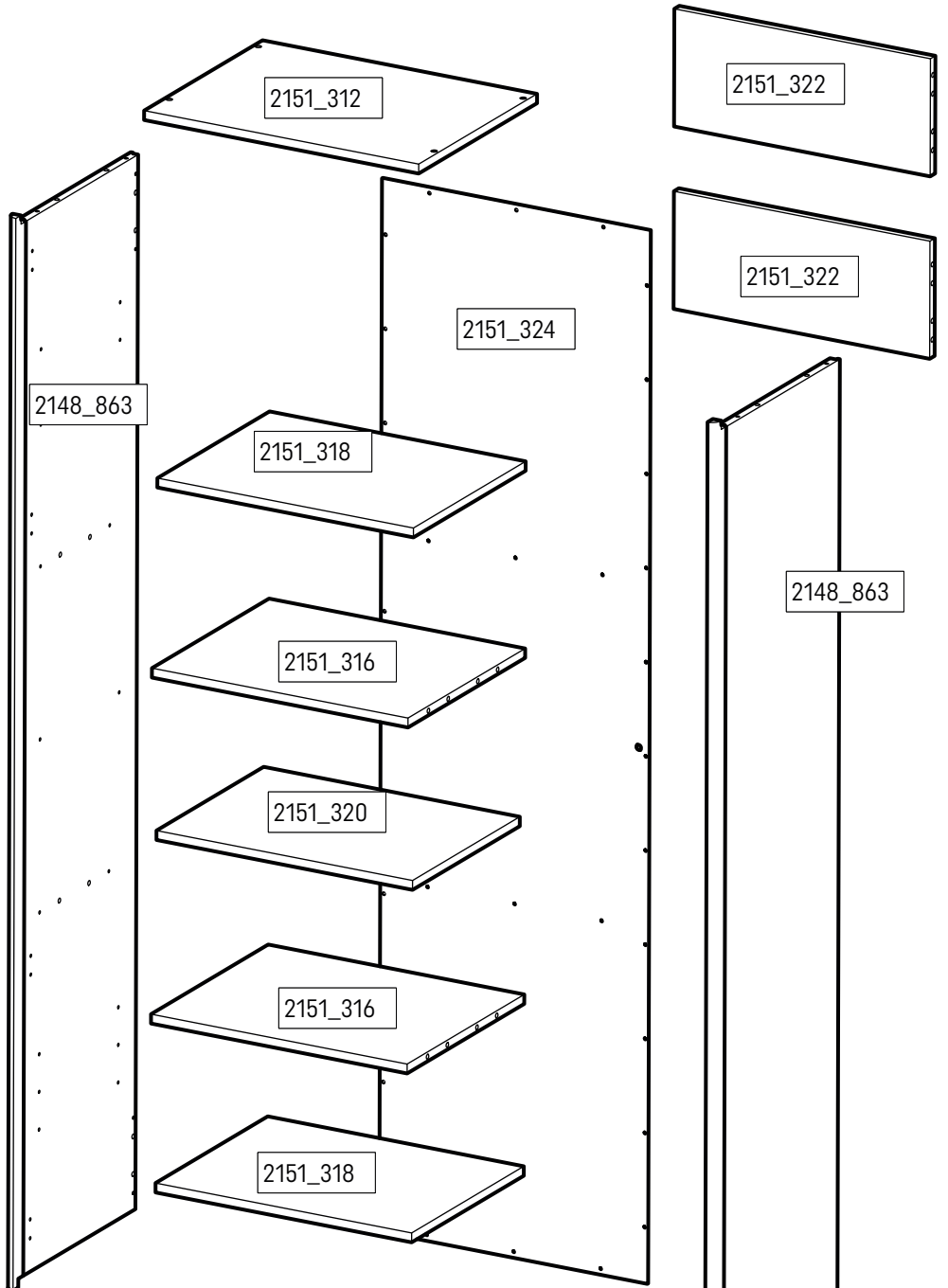
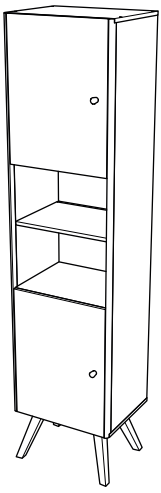
VOX



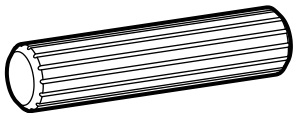
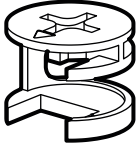
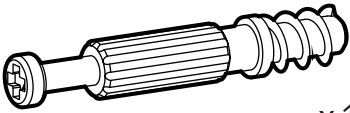
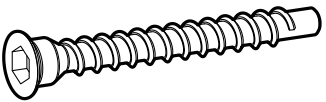
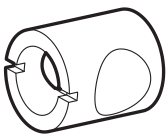
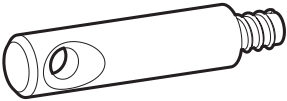
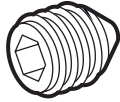


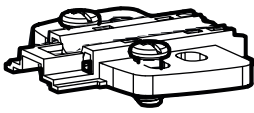
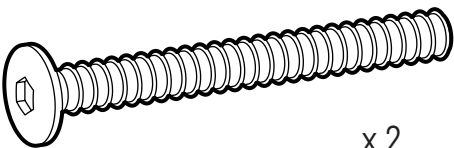
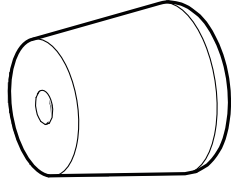
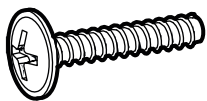



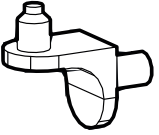

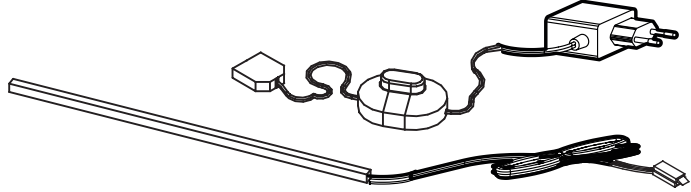
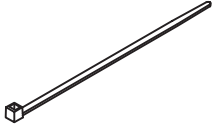
4015047_001

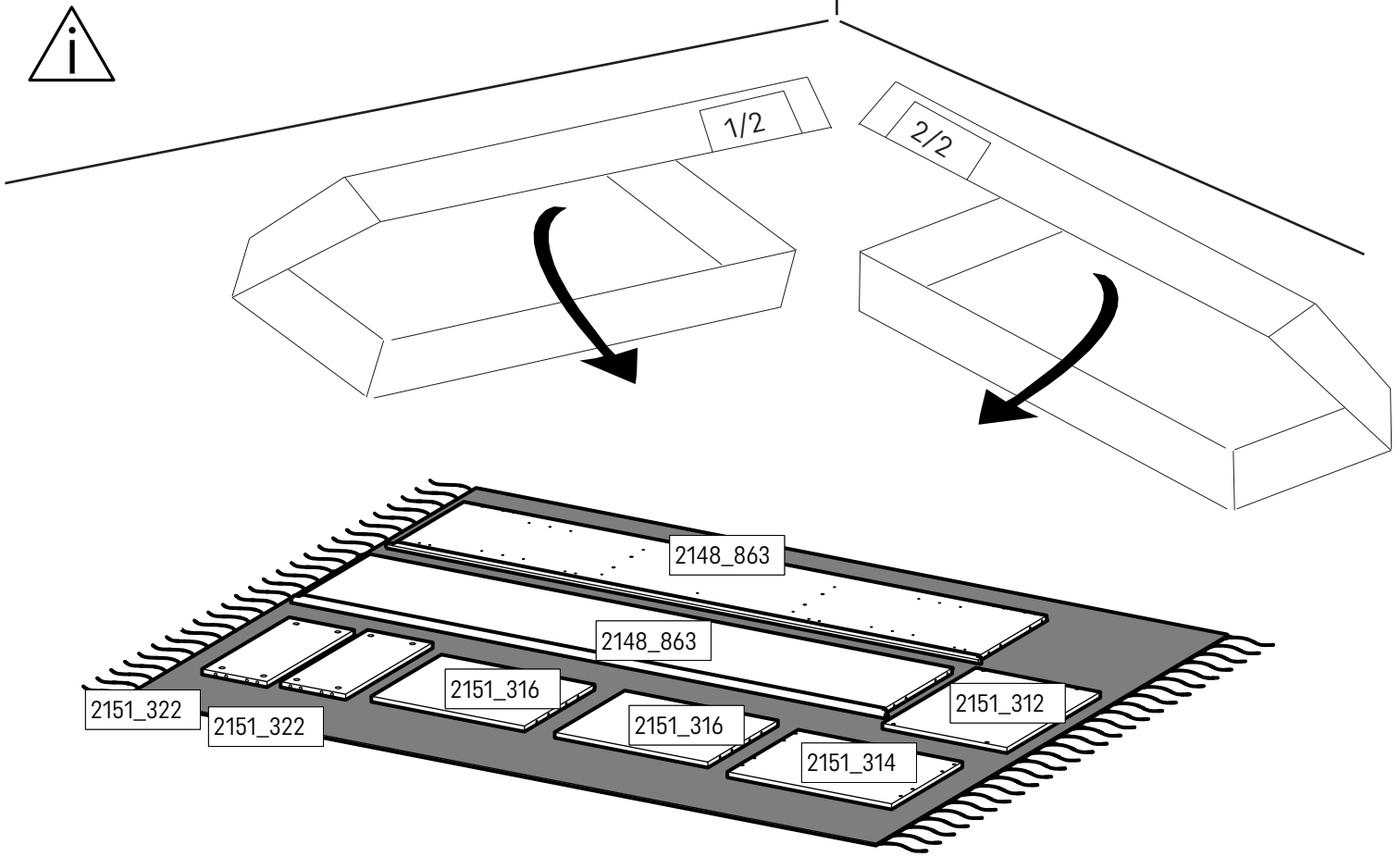


PL • vox.pl
EU • voxfurniture.com
US • voelkelcorp.com

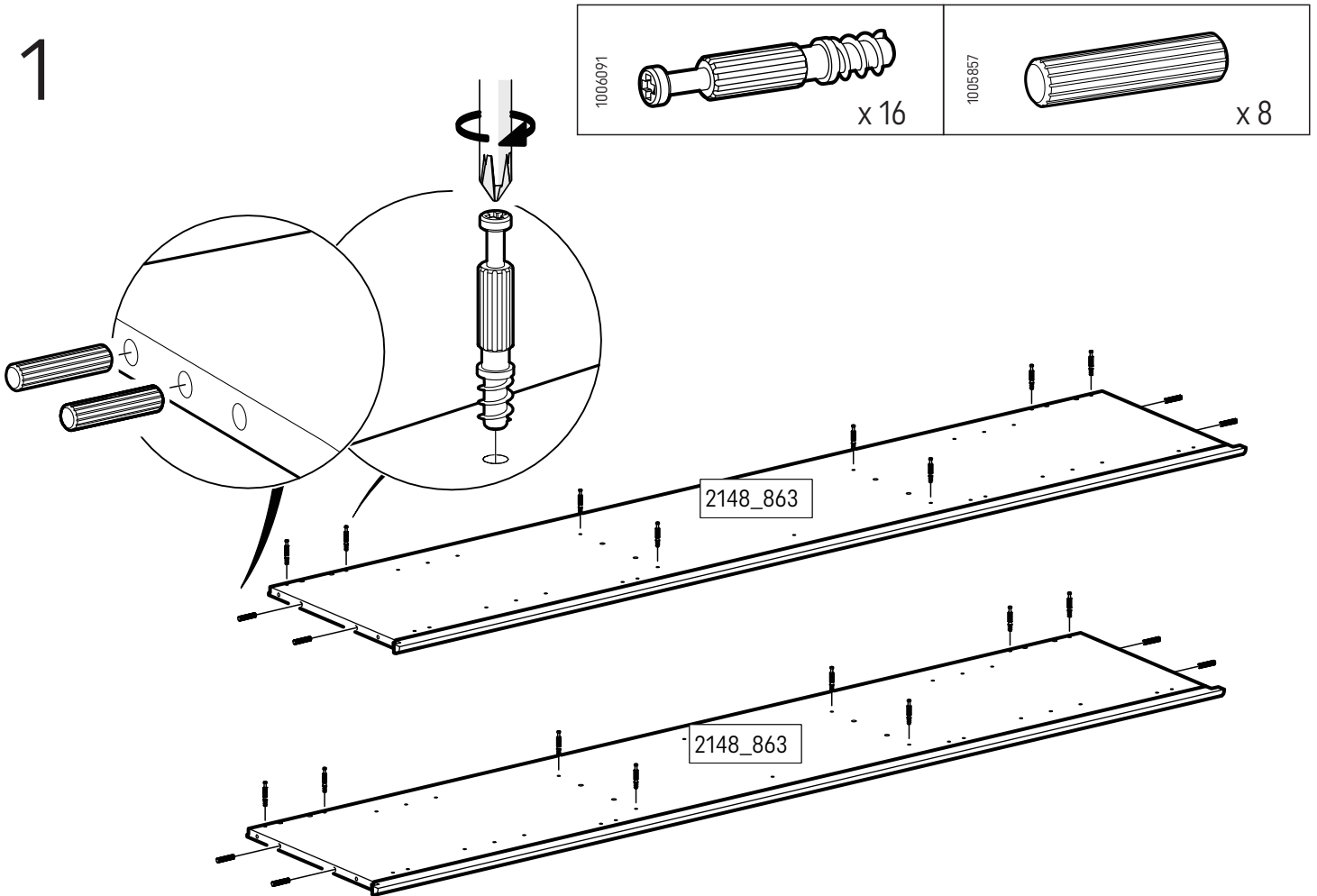




<p>1000806</p>  <p>x 1</p>	<p>1111440</p>  <p>x 1</p>	<p>1005857</p>  <p>x 24</p>
<p>1005990</p>  <p>x 16</p>	<p>1006091</p>  <p>x 16</p>	<p>1005876</p>  <p>x 8</p>
<p>1109473</p>  <p>x 2</p>	<p>1107571</p>  <p>x 2</p>	<p>1109474</p>  <p>x 2</p>
<p>1003523</p>  <p>x 4</p>	<p>1112462</p>  <p>x 4</p>	<p>1003526</p>  <p>x 4</p>
<p>1005377</p>  <p>x 4</p>	<p>1005687</p>  <p>x 2</p>	<p>2150437</p>  <p>x 2</p>
<p>1005471</p>  <p>x 2</p>	<p>1000893</p>  <p>x 1</p>	<p>1005681</p>  <p>x 8</p>
<p>1006012</p>  <p>x 34</p>	<p>1001262</p>  <p>x 12</p>	<p>1008287</p>  <p>x 2</p>
<p>1112240</p>  <p>x 1</p>	<p>1008286</p>  <p>x 2</p>	

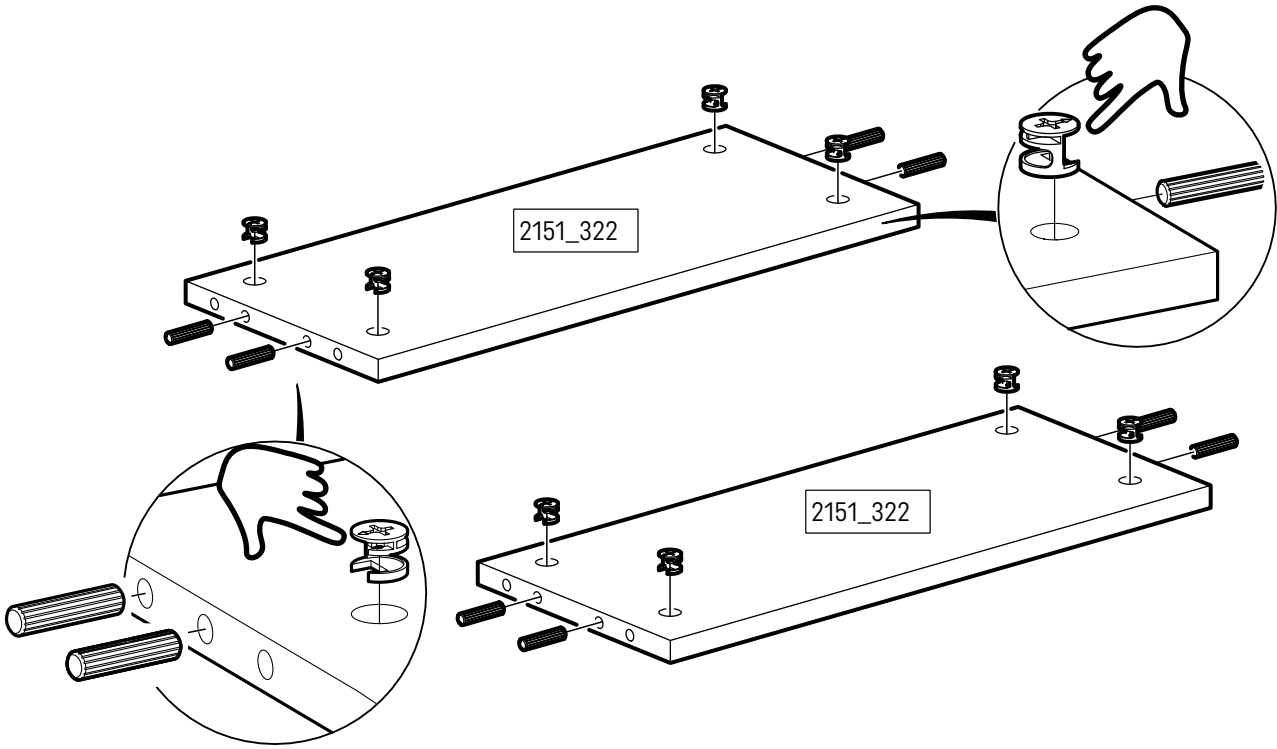


1

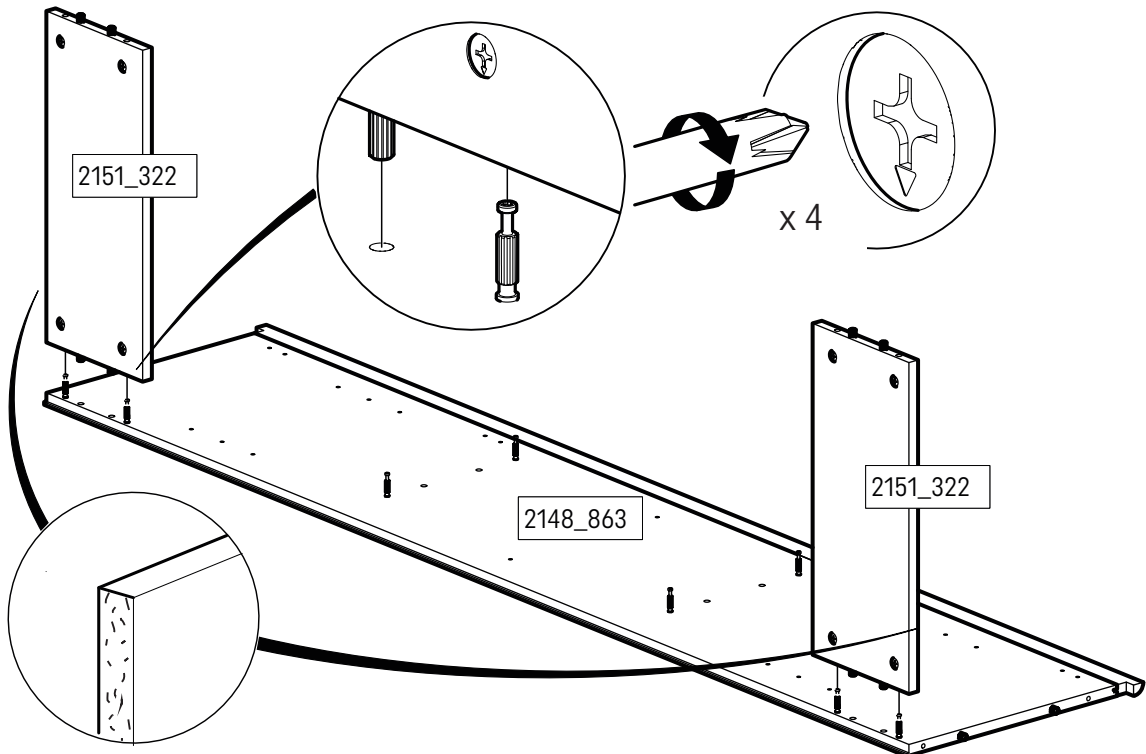


1

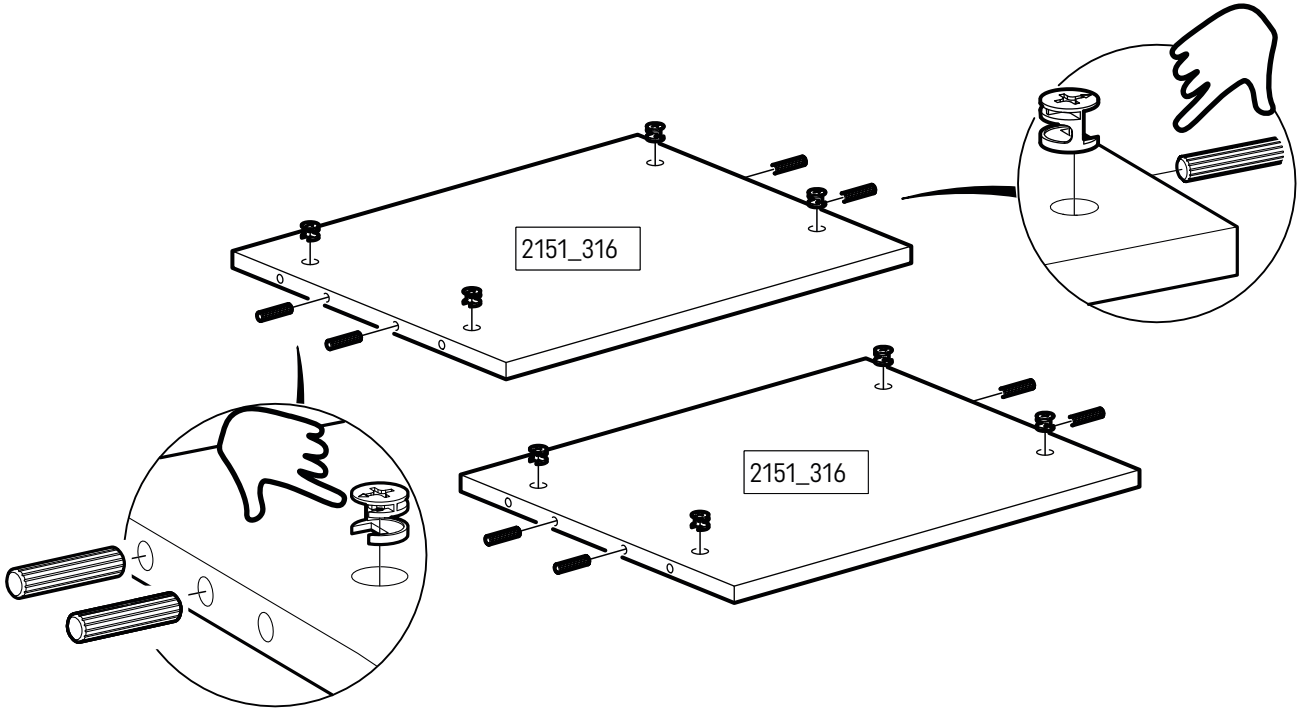
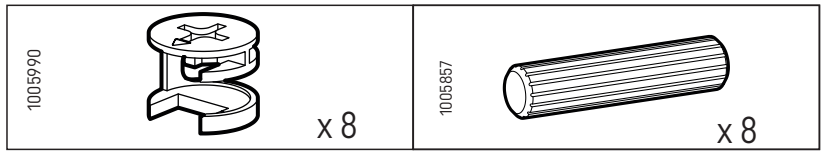
2



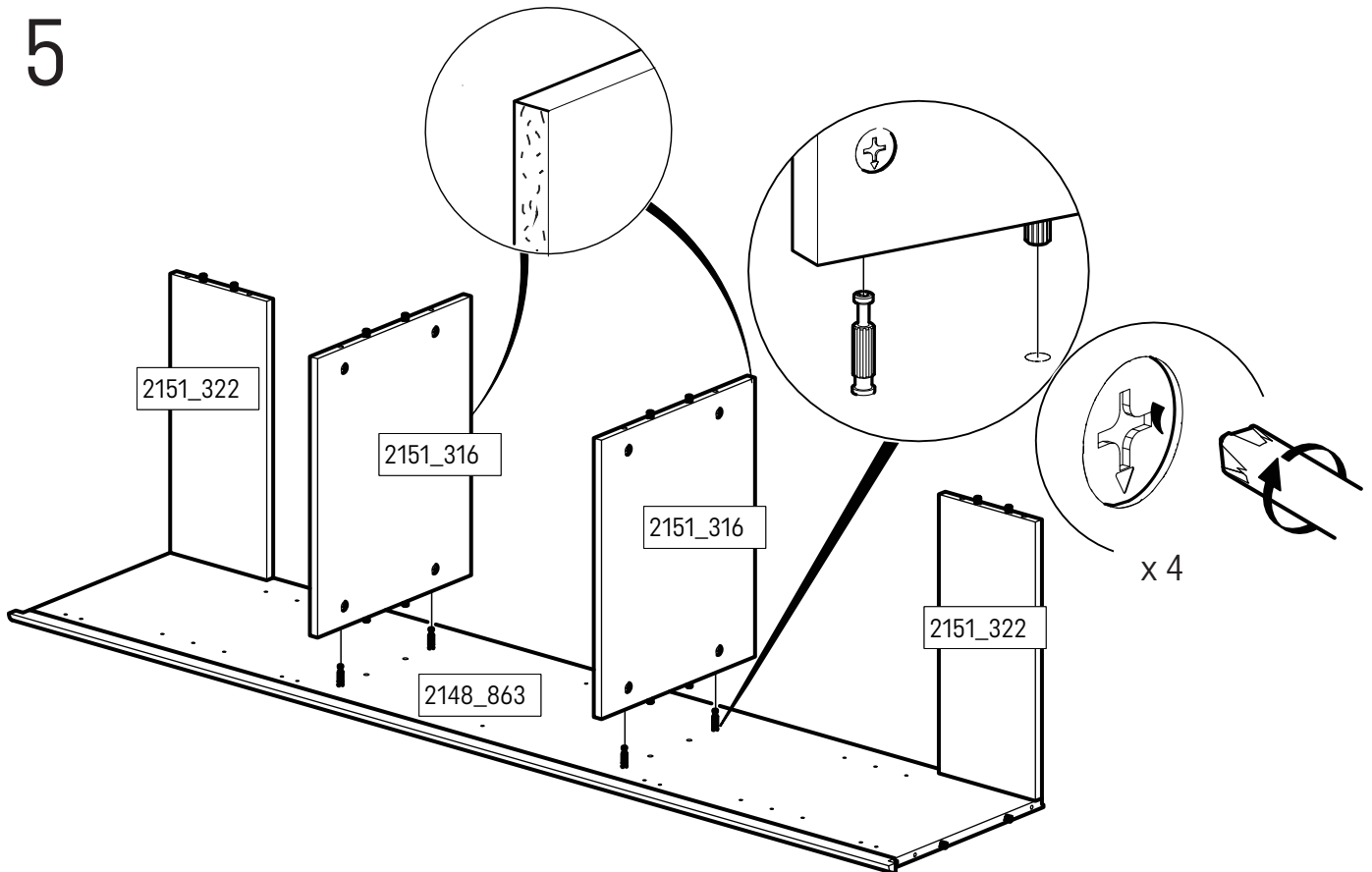
3



4



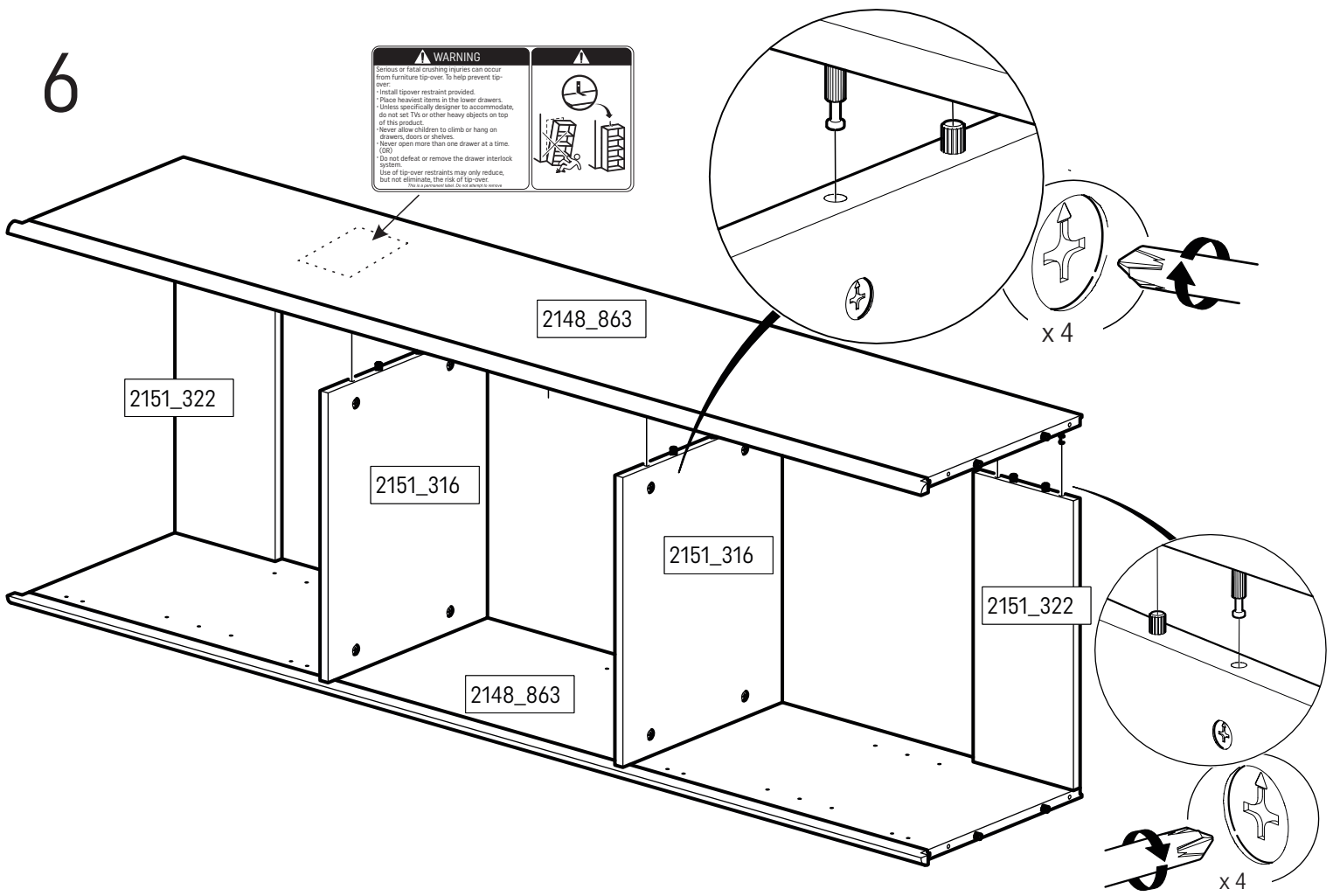
5



3

6

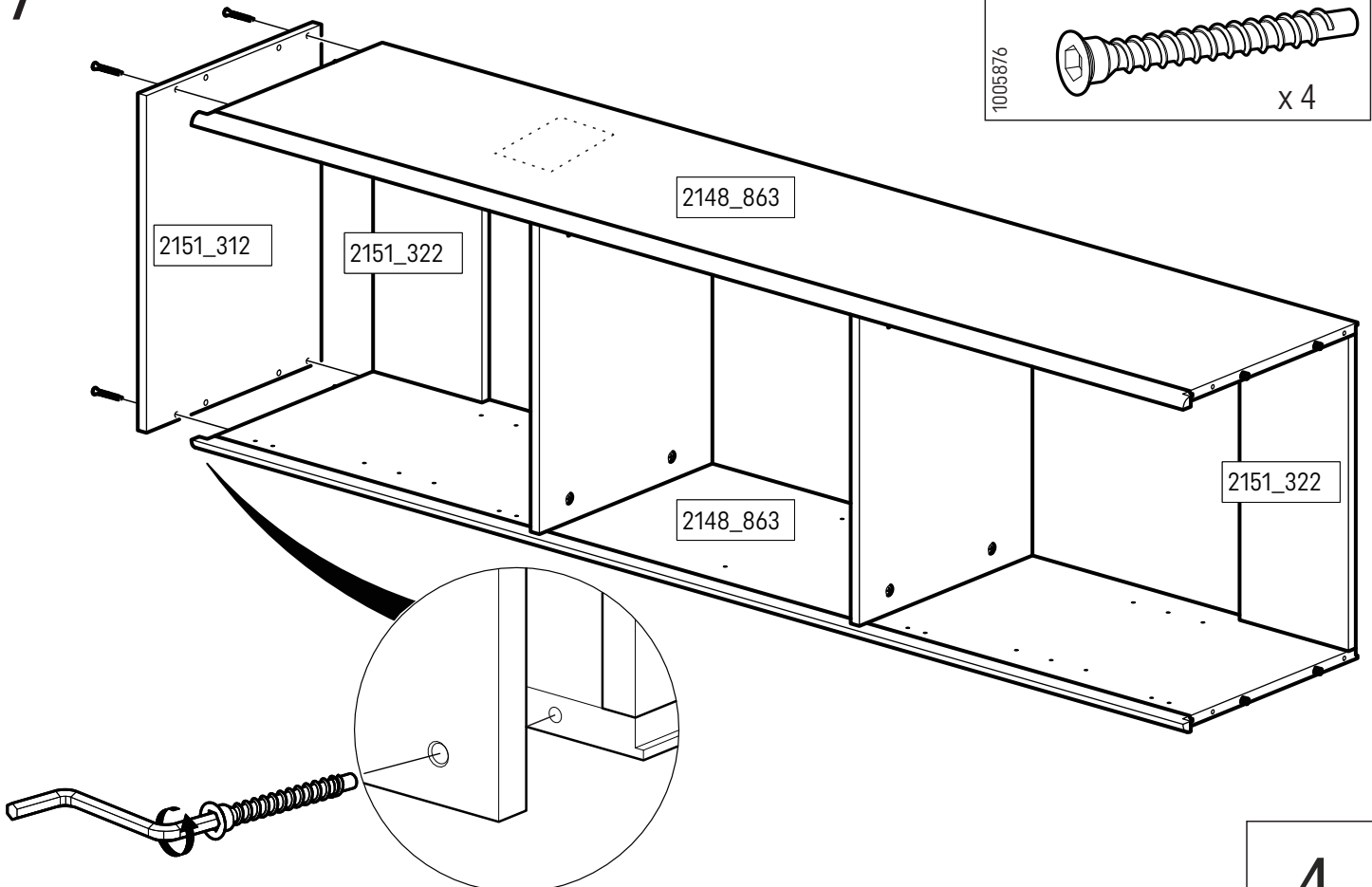
WARNING
 Serious or fatal crushing injuries can occur from furniture tip-over. To help prevent tip-over:
 - Install tipover restraint provided.
 - Place heaviest items in the lower drawers.
 - Unless specifically designed to accommodate, do not set TVs or other heavy objects on top of this product.
 - Never allow children to climb or hang on drawers, doors or shelves.
 - Never open more than one drawer at a time. (DR)
 - Do not defeat or remove the drawer interlock system.
 - Use of tip-over restraints may only reduce, but not eliminate, the risk of tip-over.
 *This is an important step in all assembly steps.



7

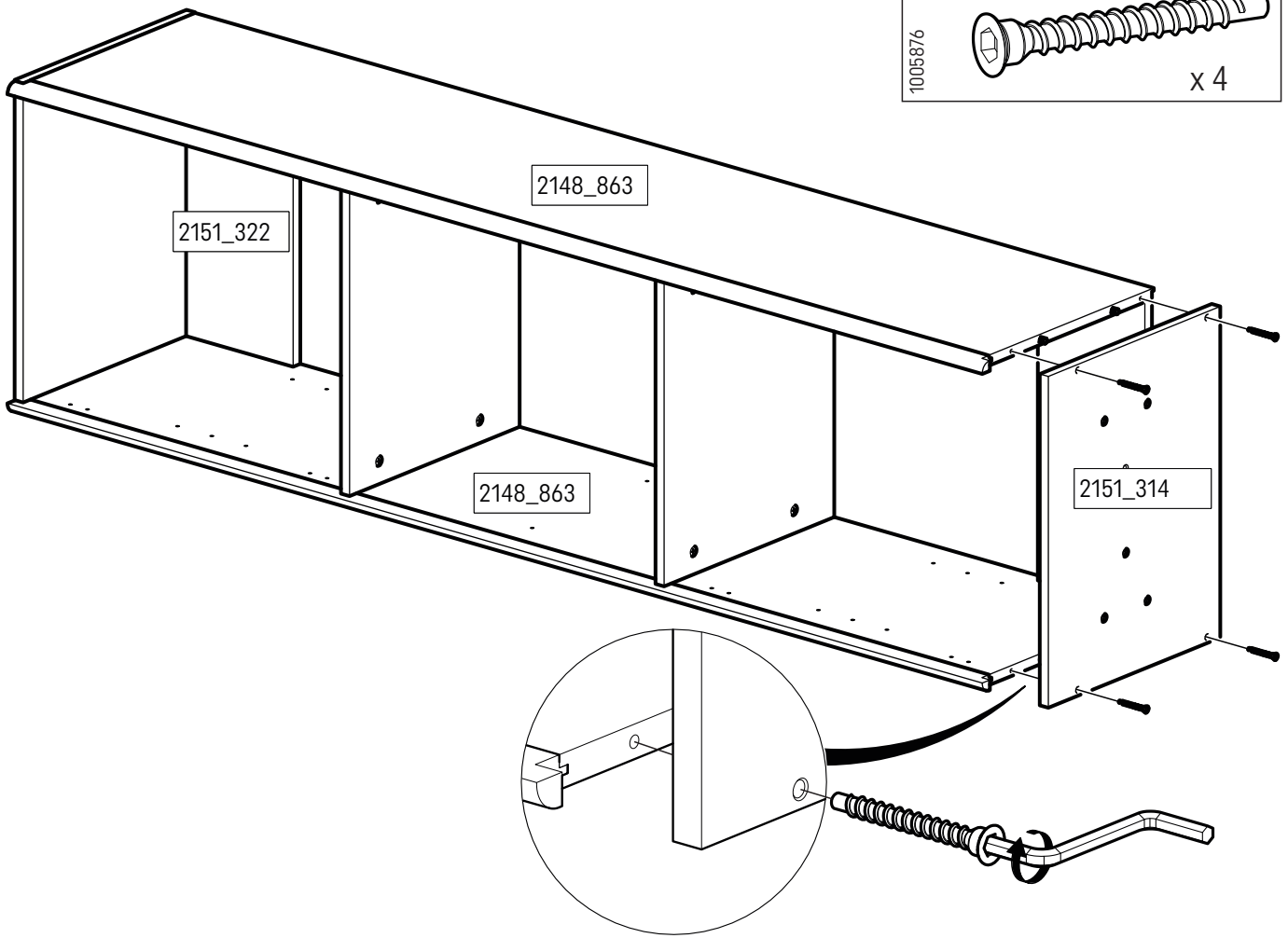
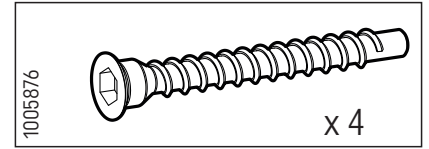
1005876

x 4

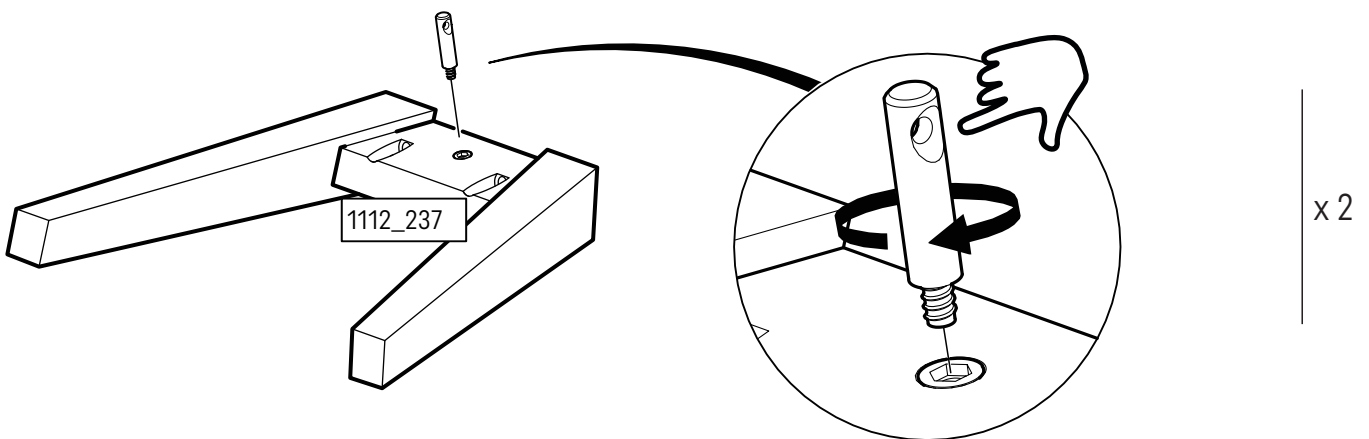
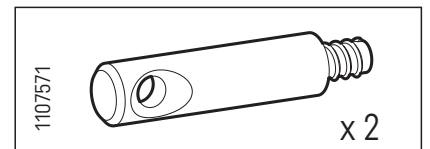


4

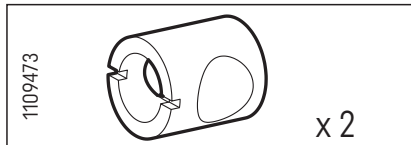
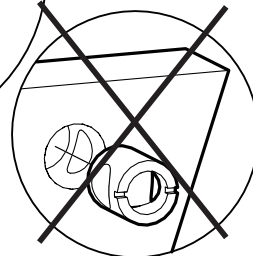
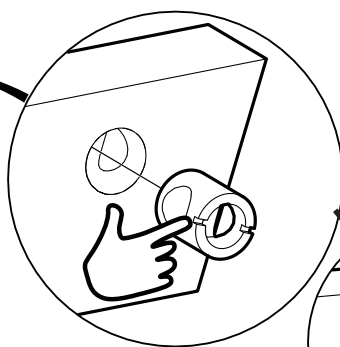
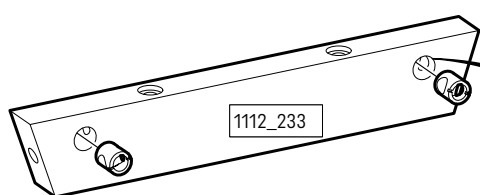
8



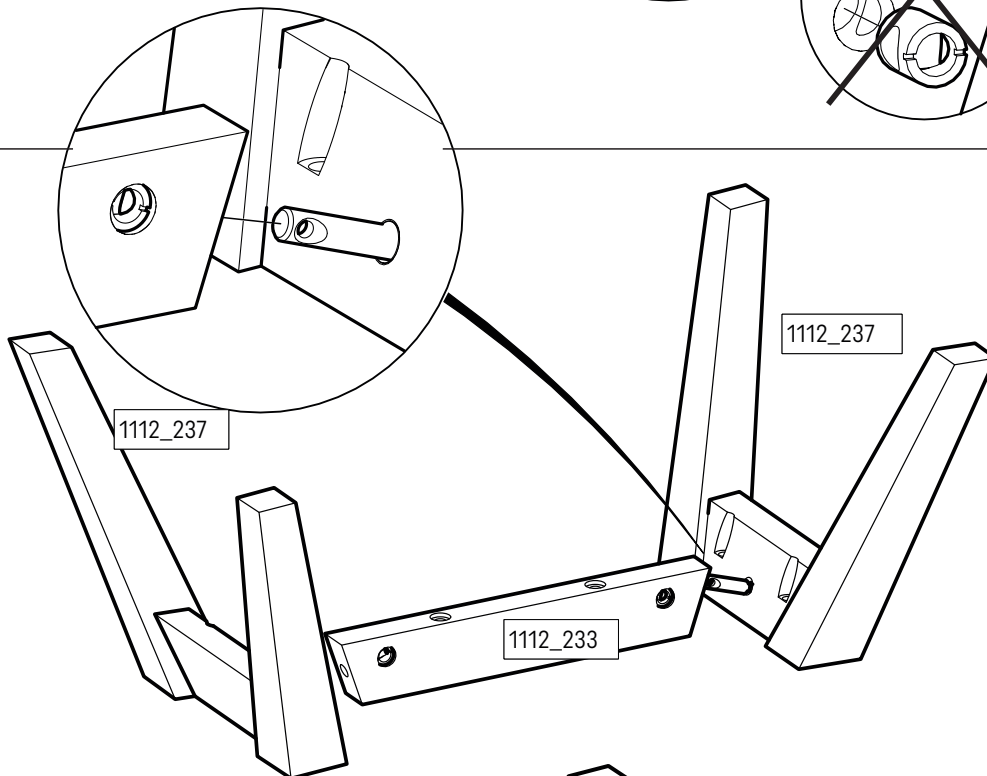
9



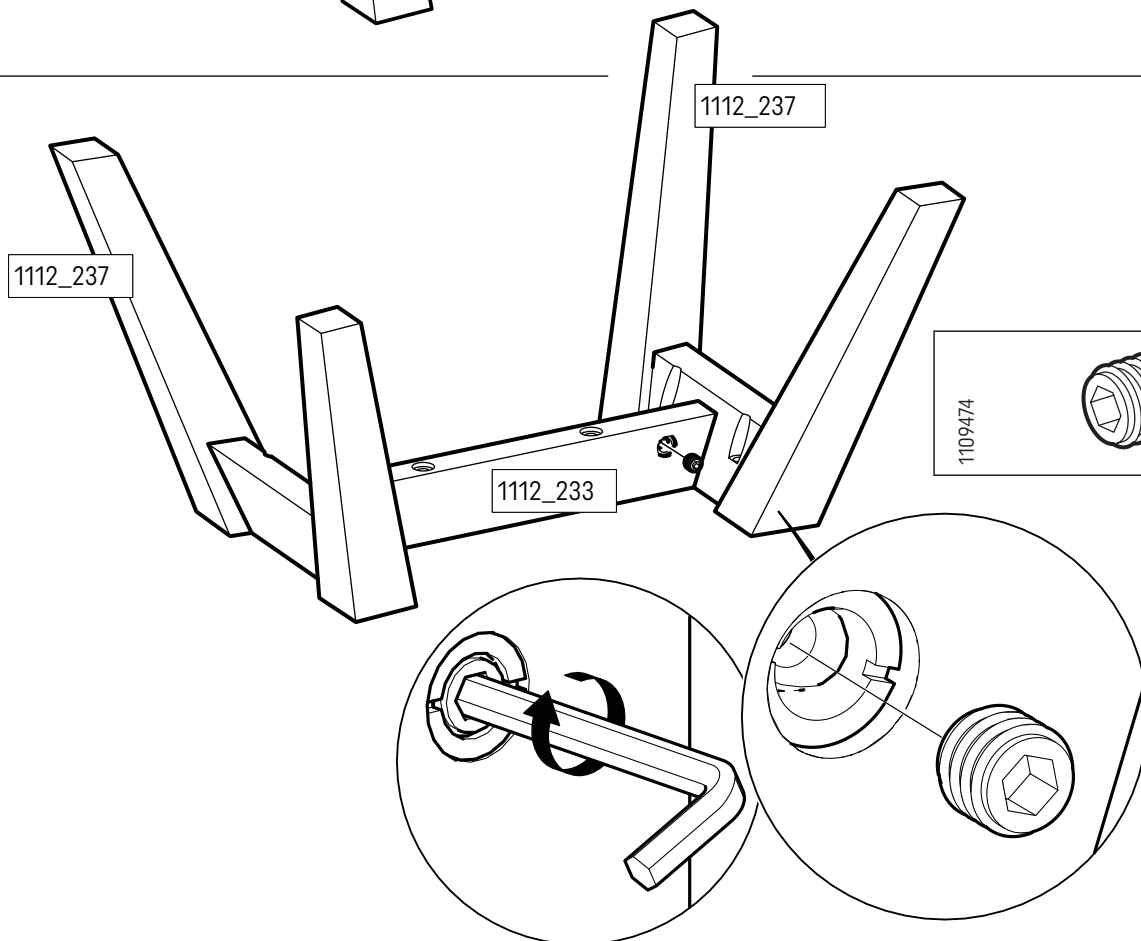
10



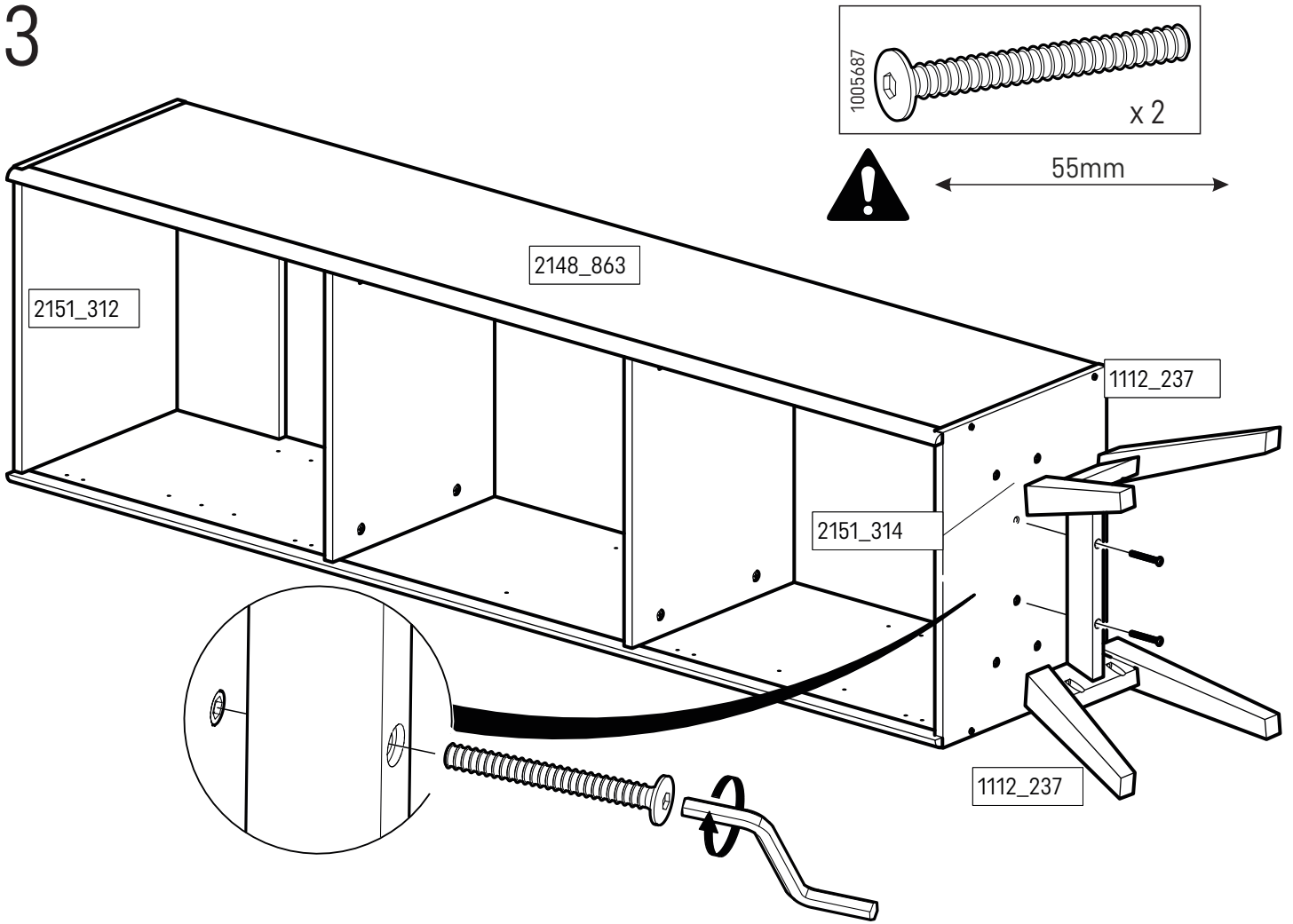
11



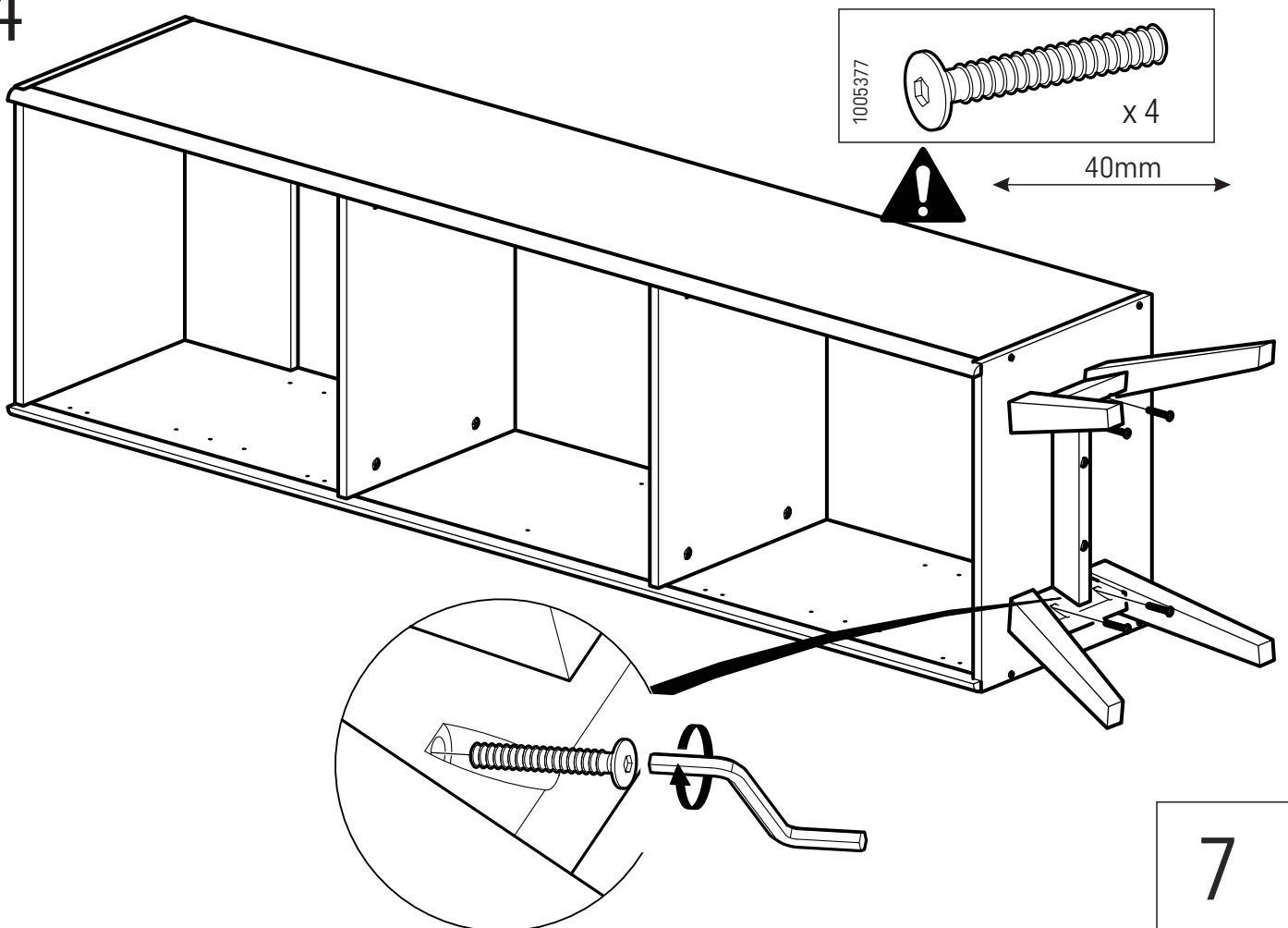
12

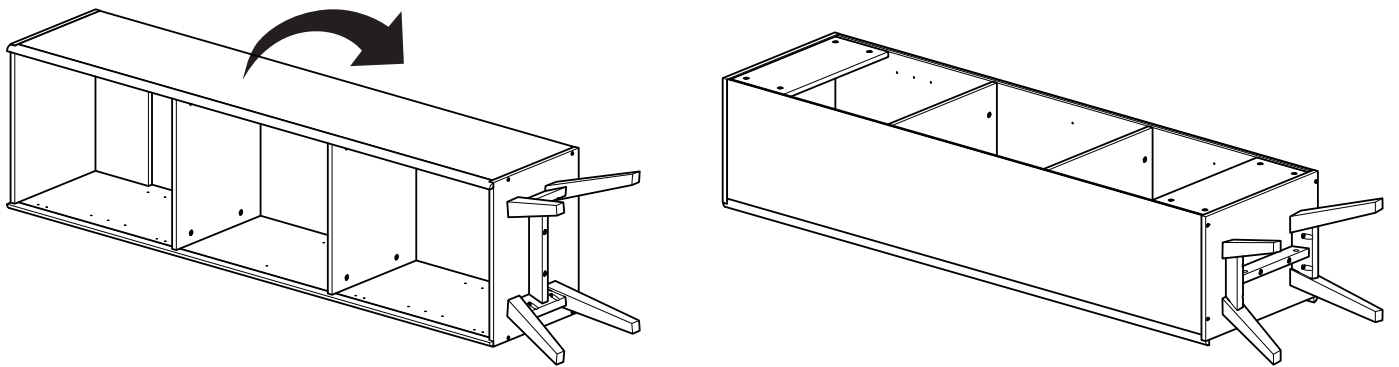
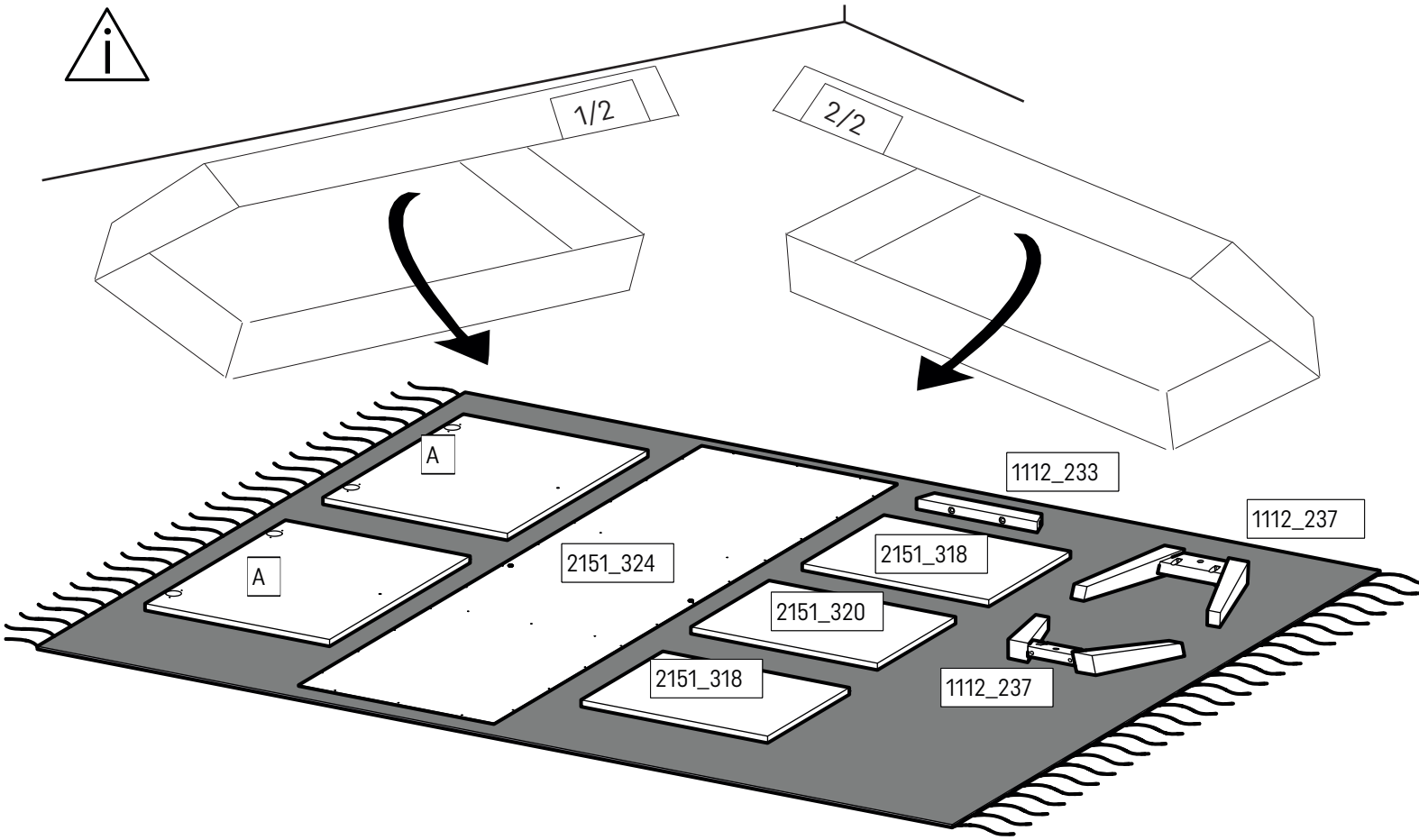


13

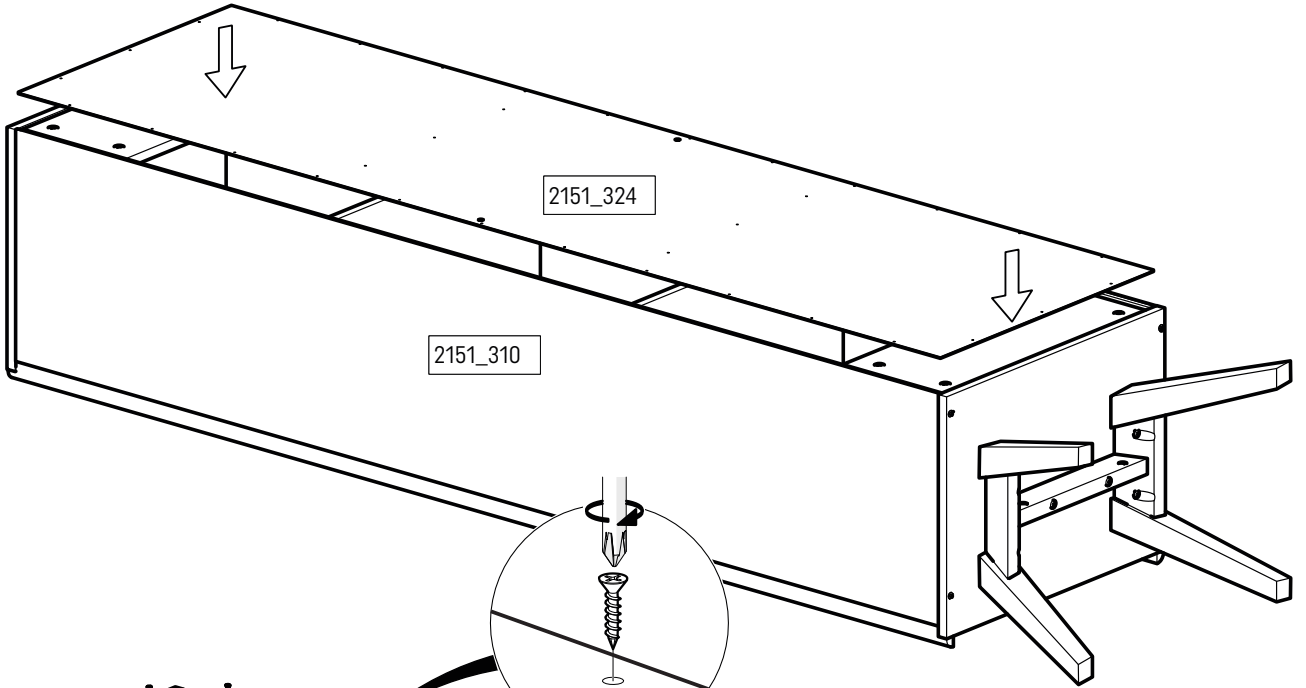


14

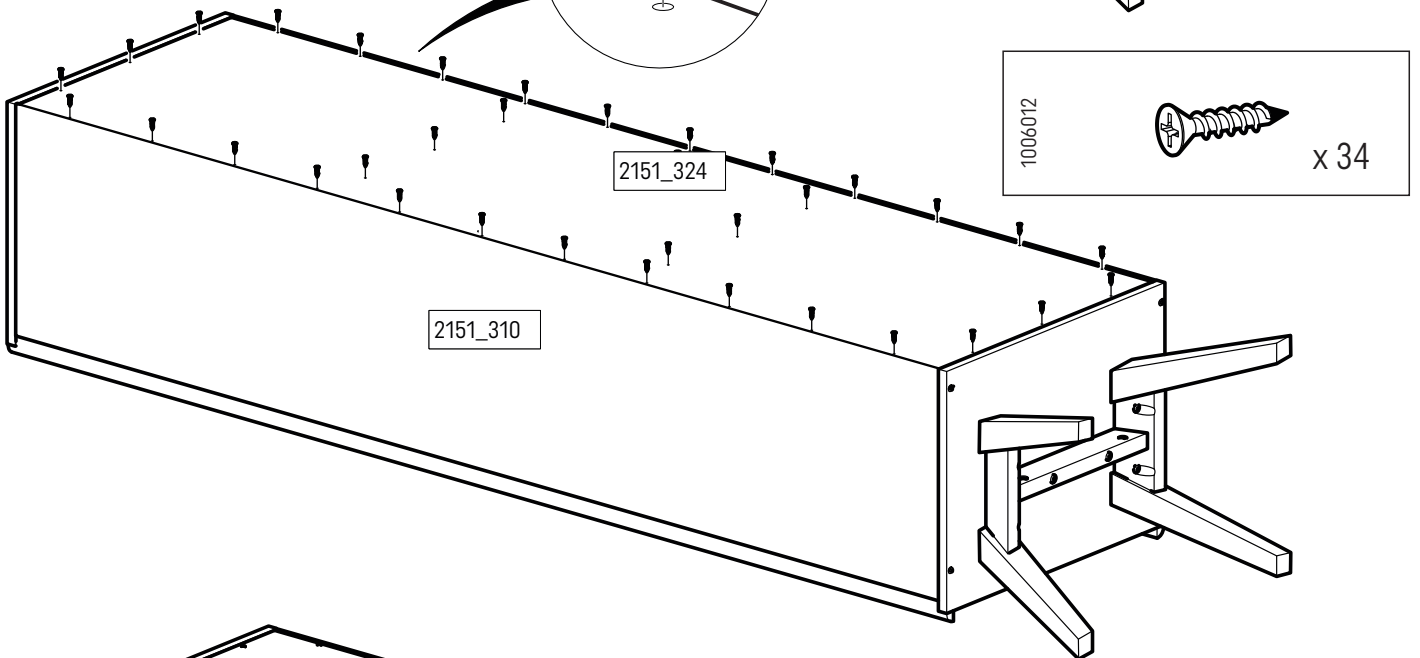




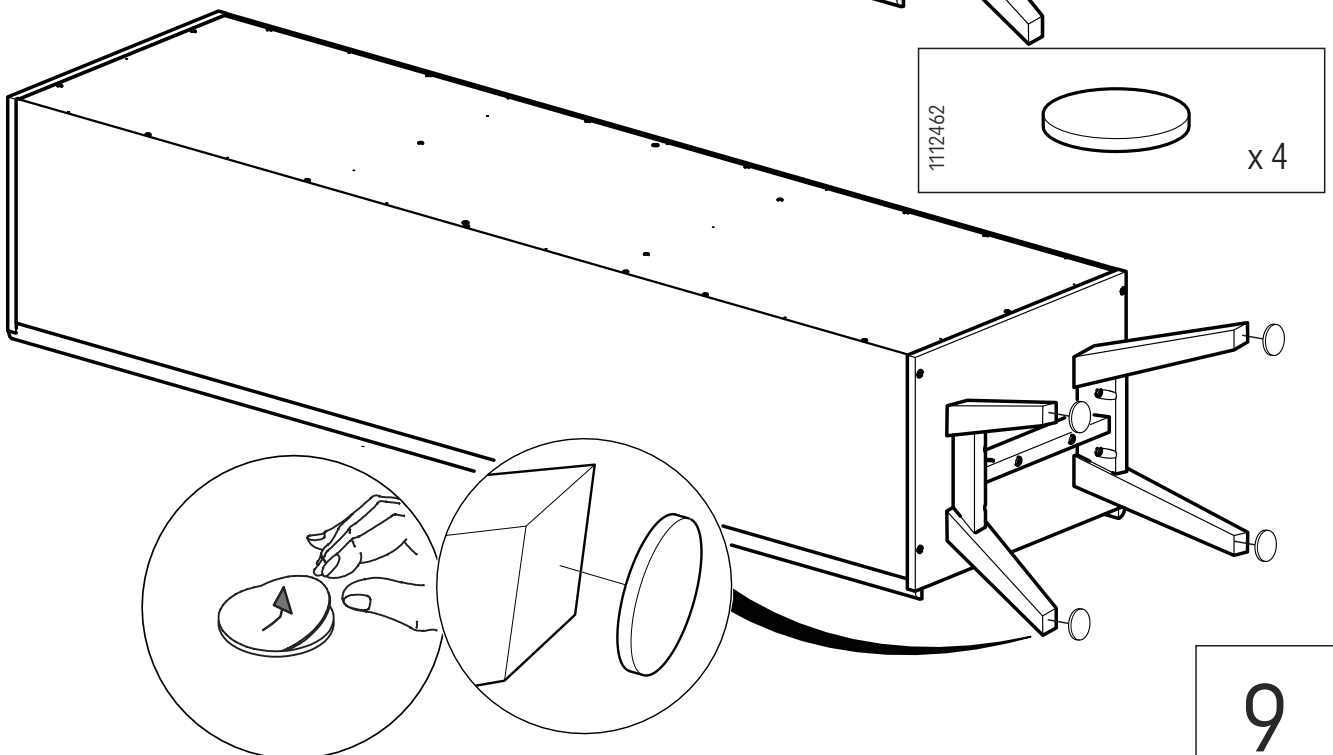
15



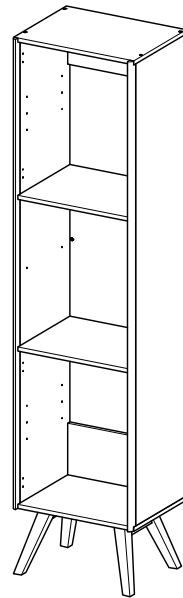
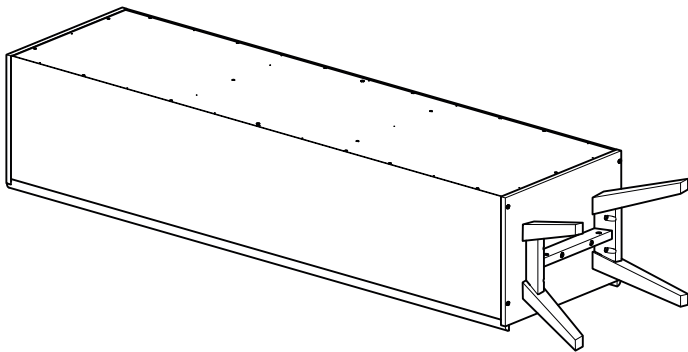
16



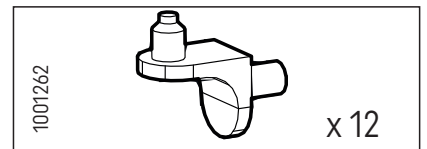
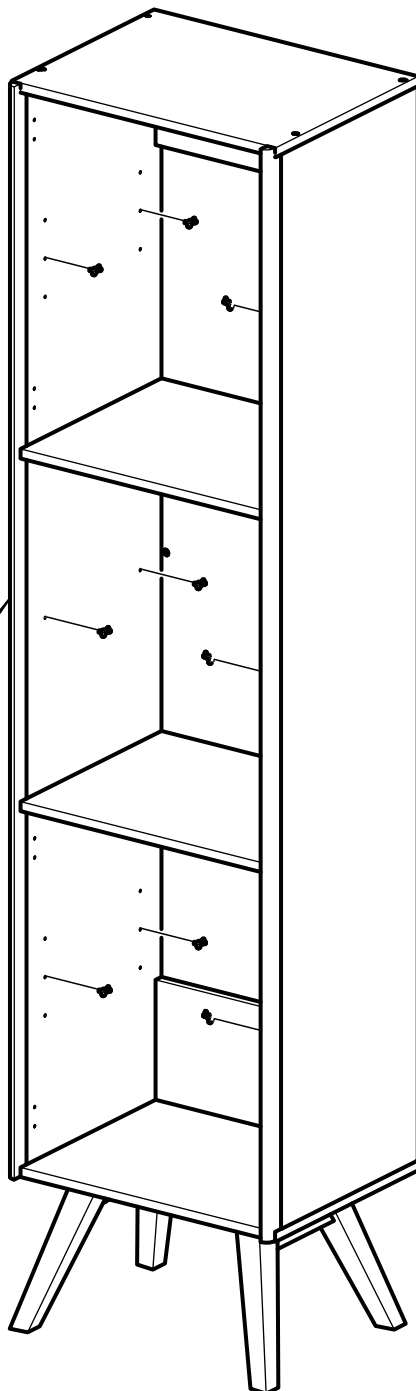
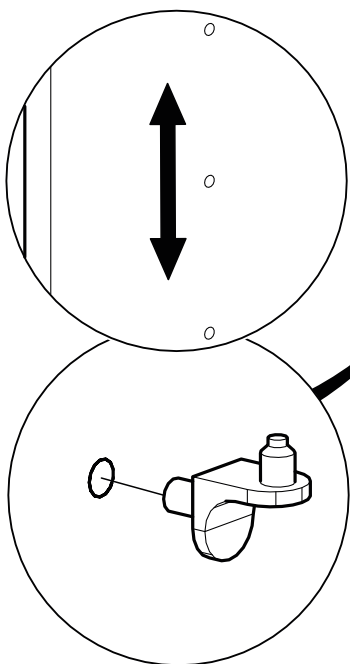
17



i

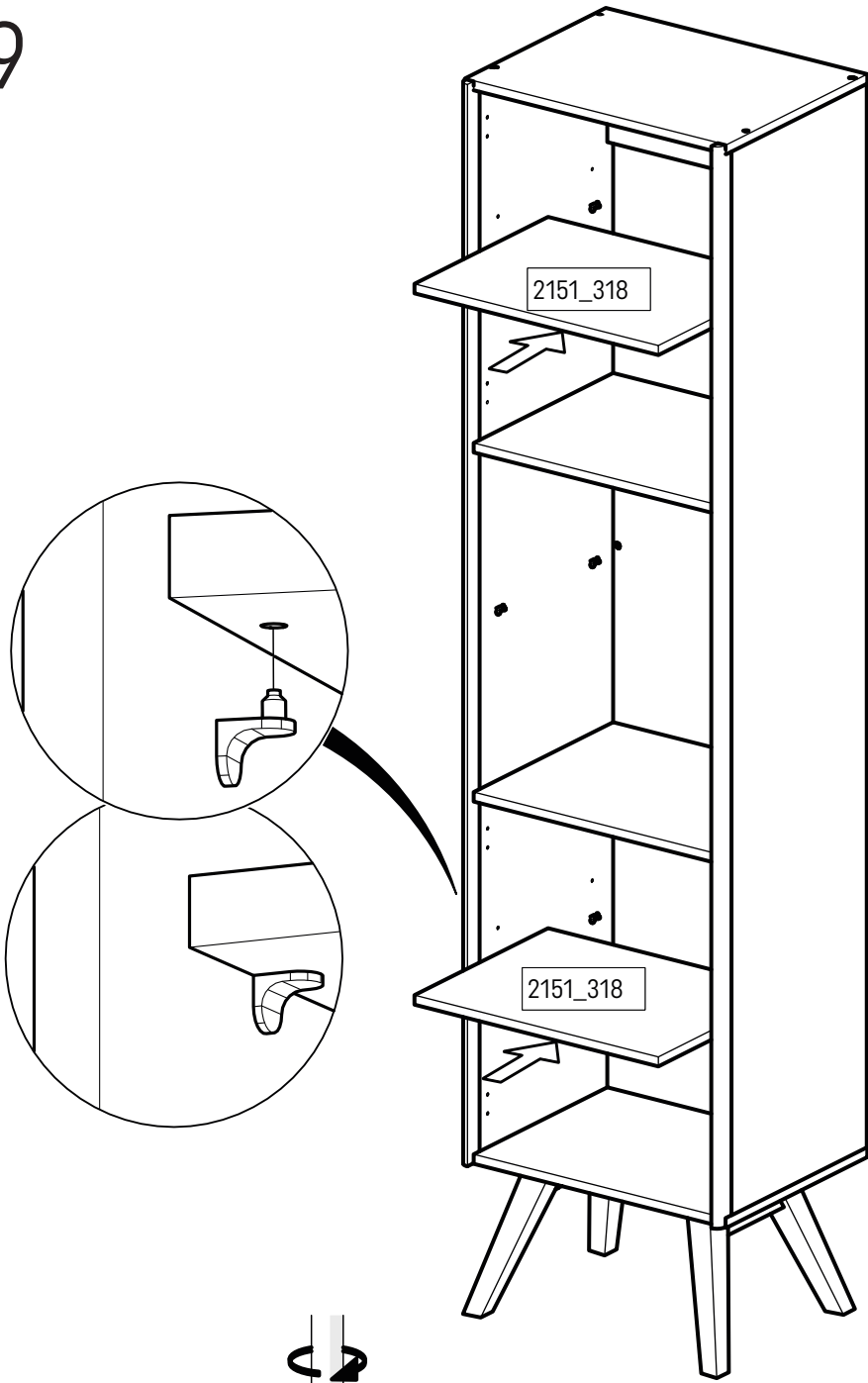


18

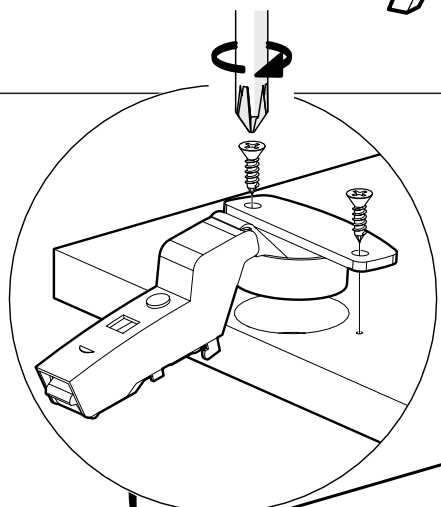


10

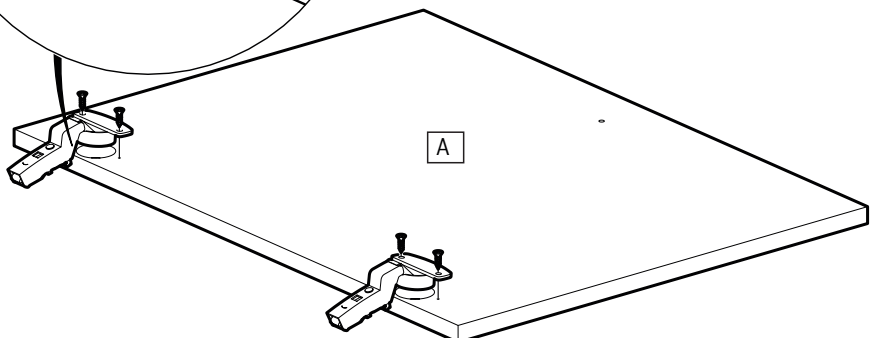
19



20



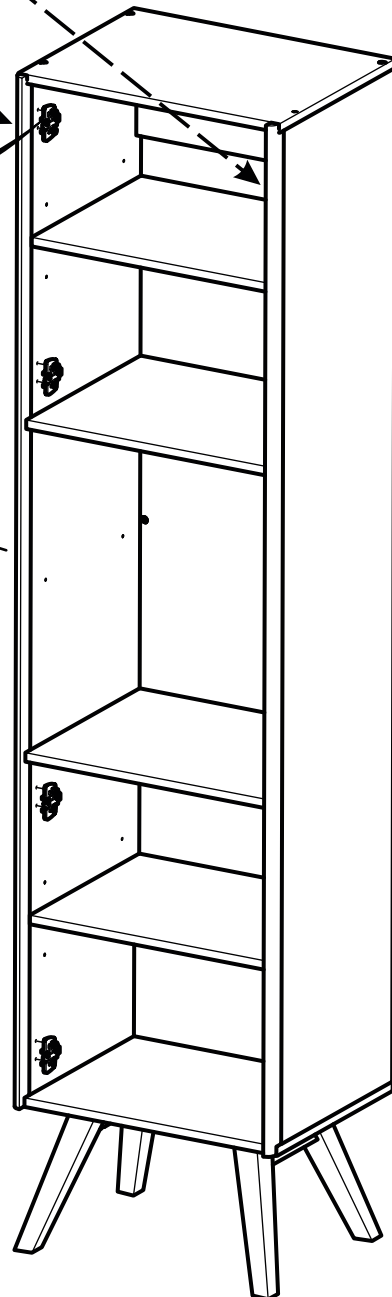
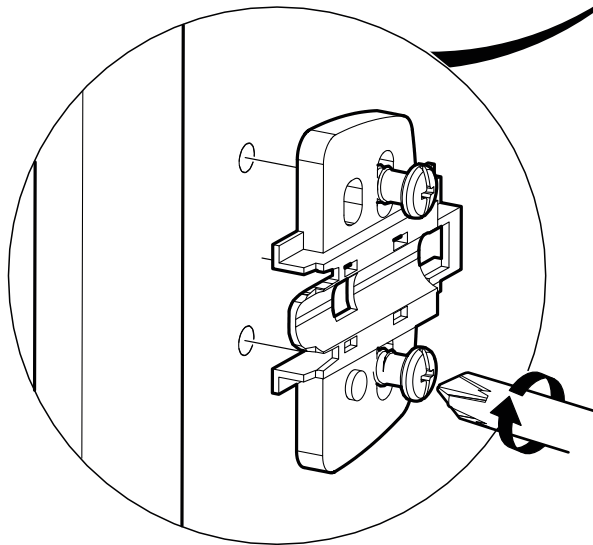
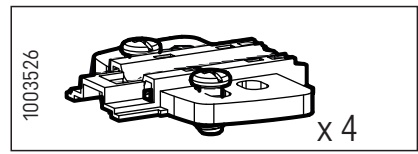
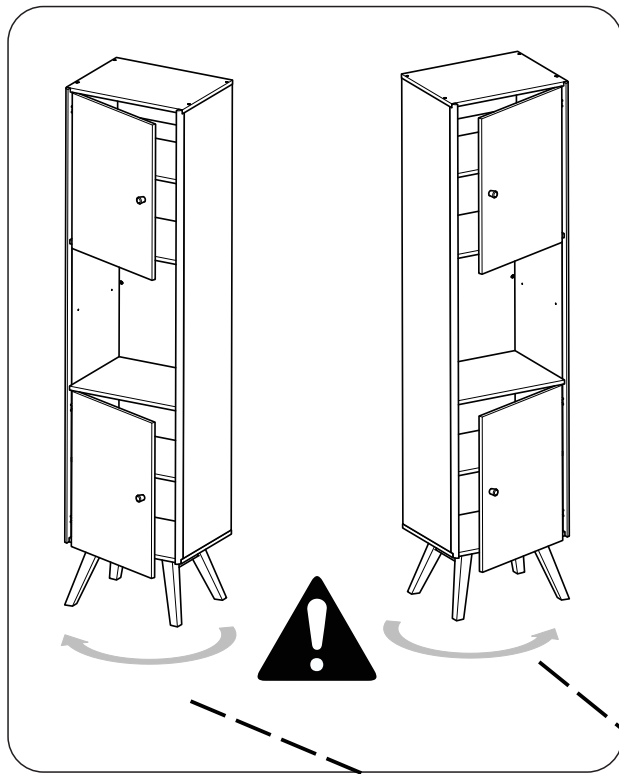
1005681  x 8	1003523  x 4
---	---



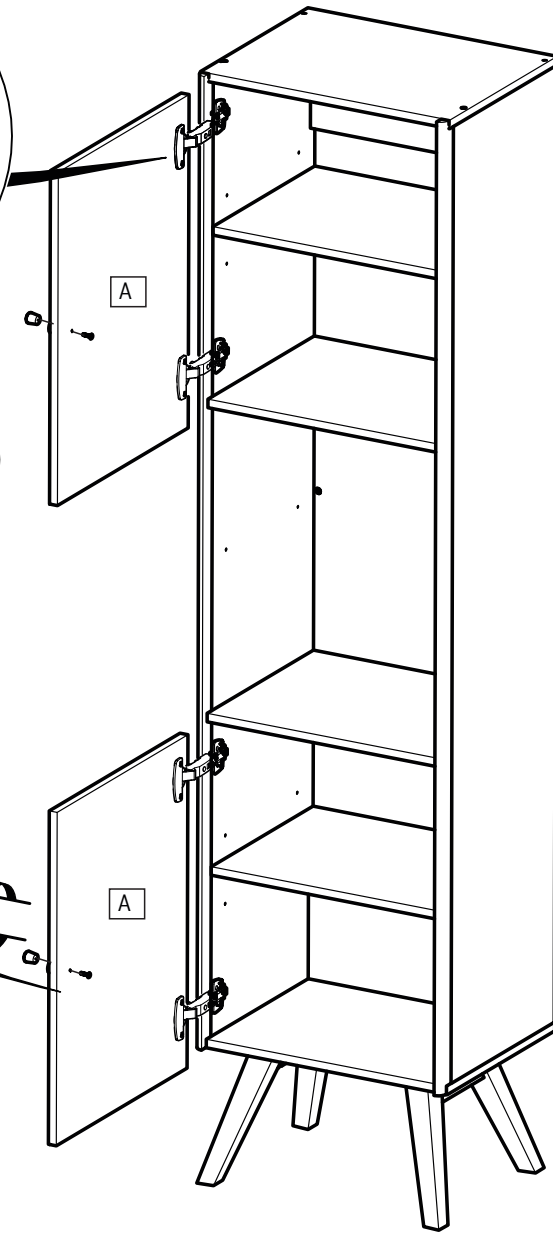
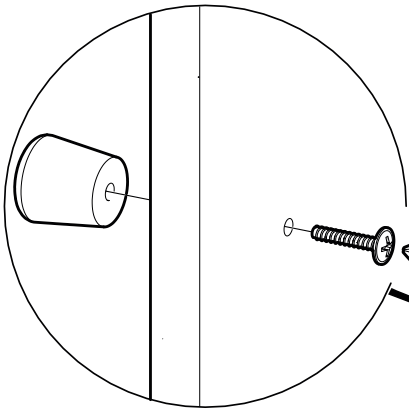
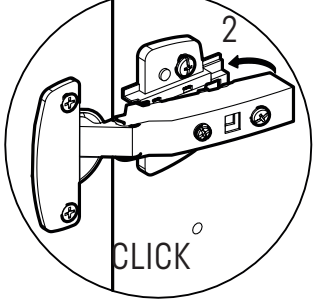
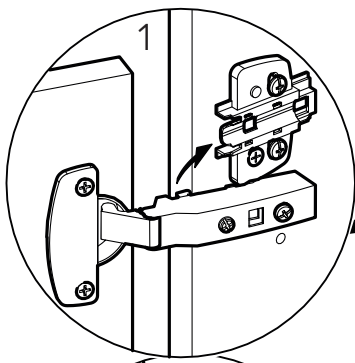
x 2

11

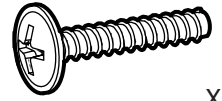
21



22

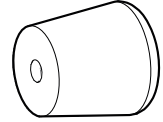


1005471



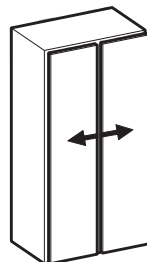
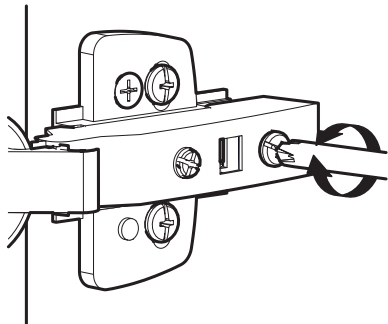
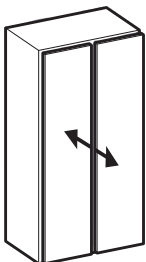
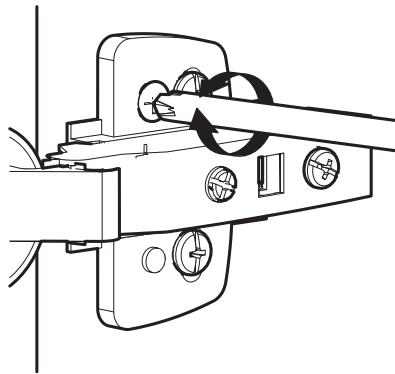
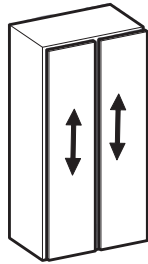
x 2

2150437



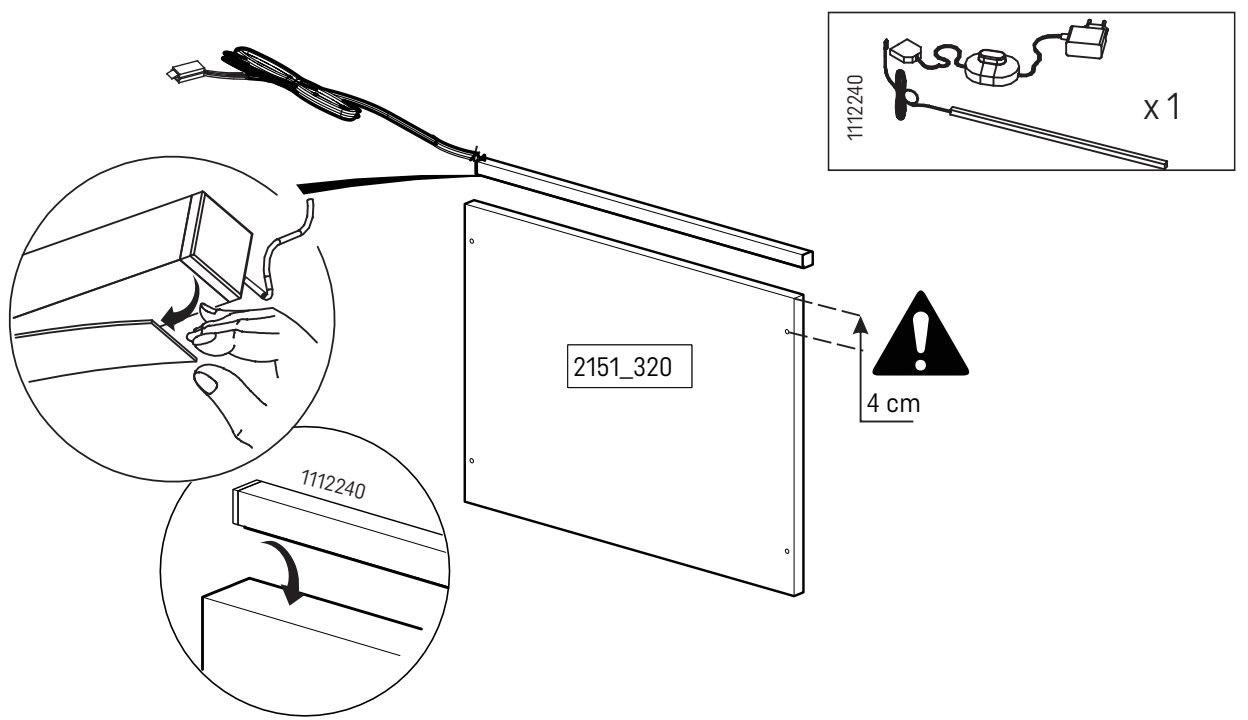
x 2

i

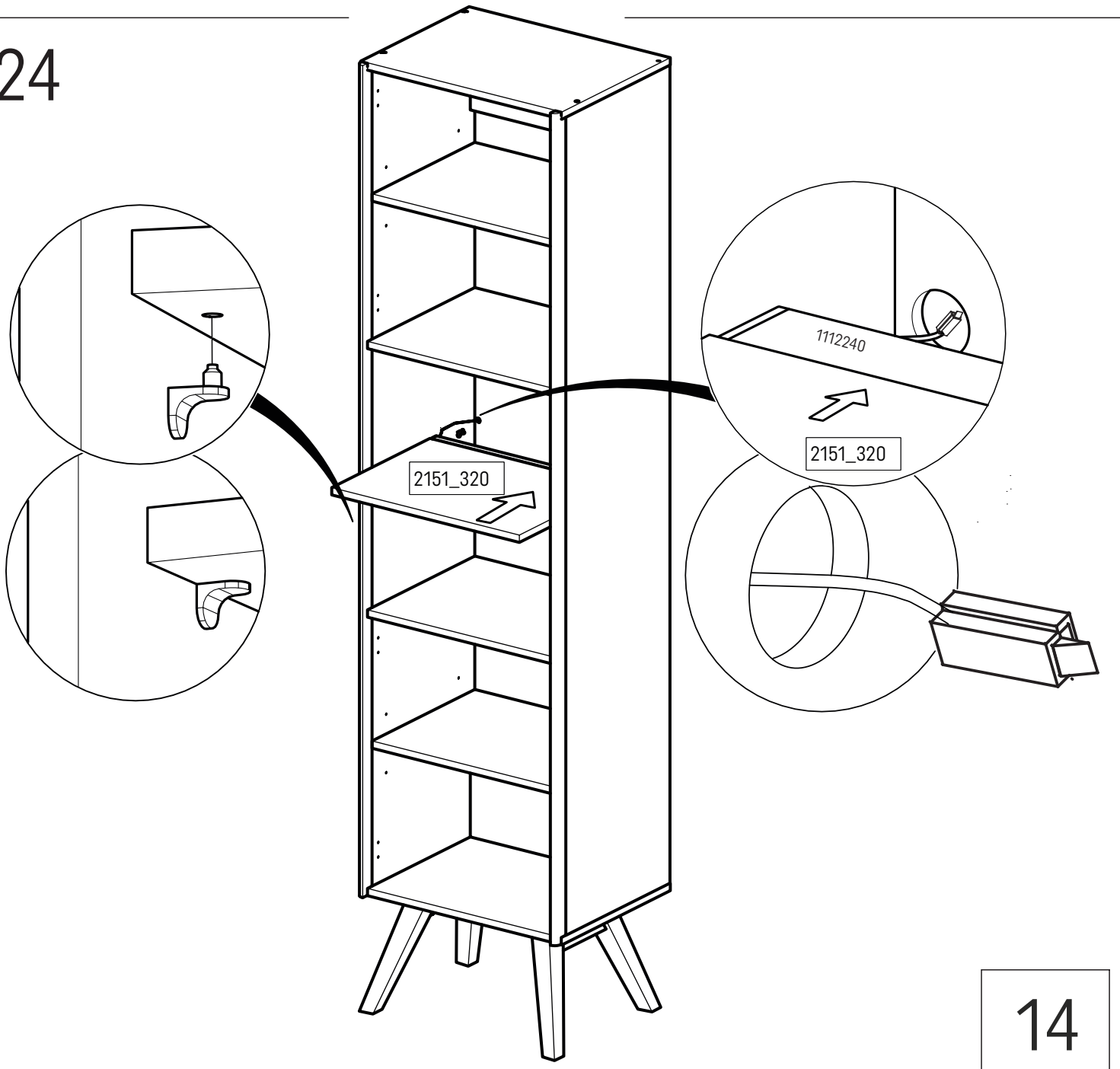


13

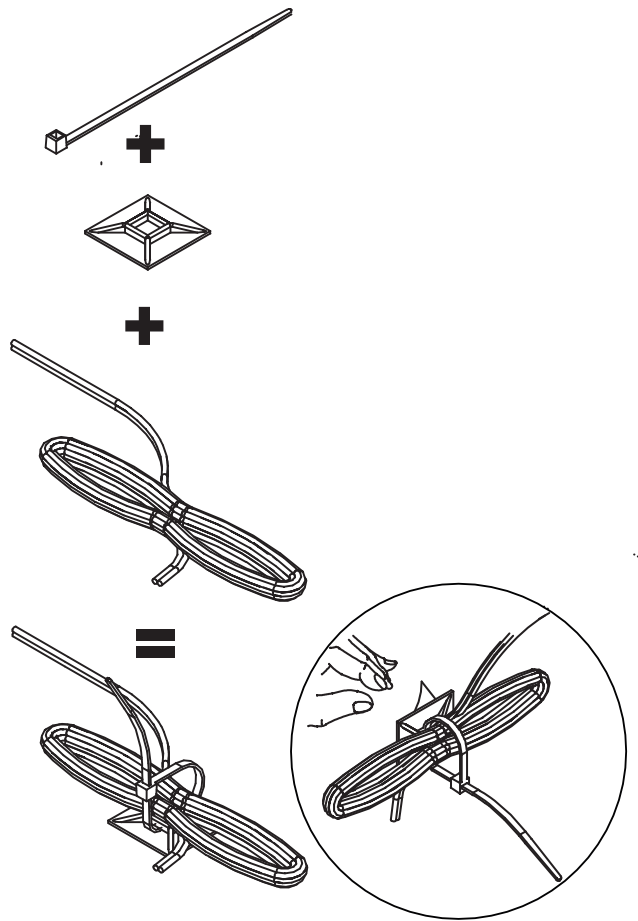
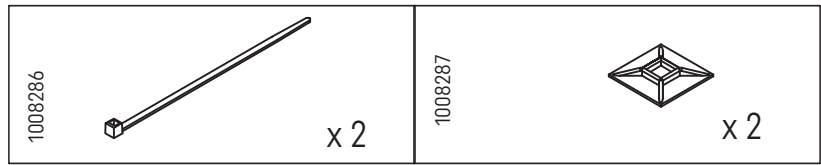
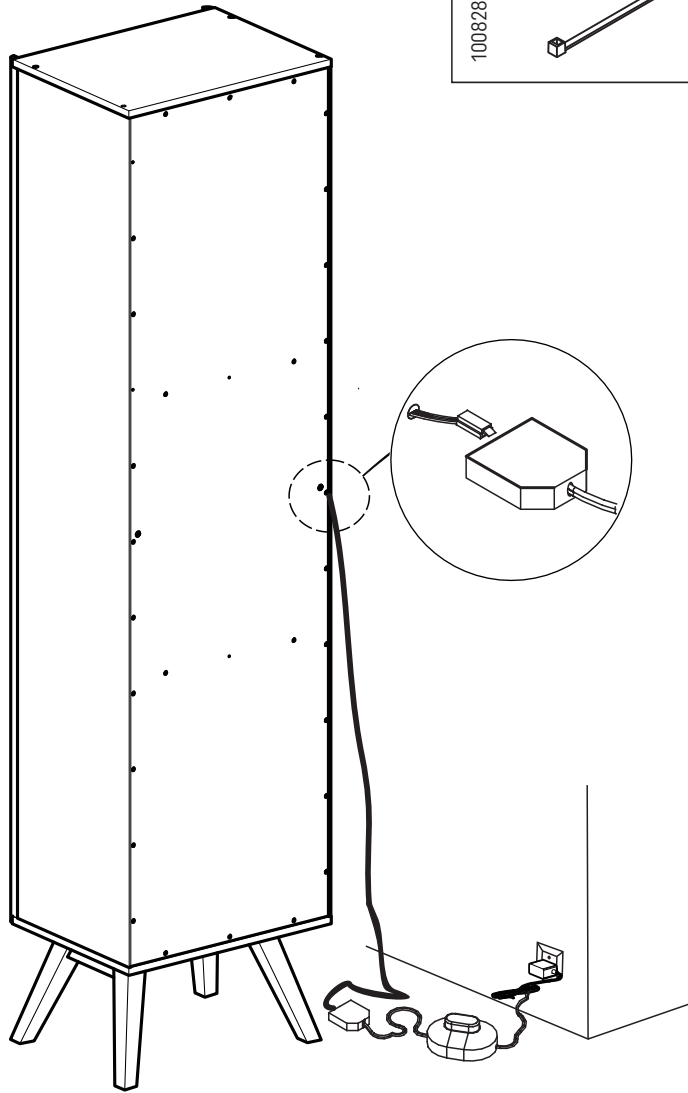
23



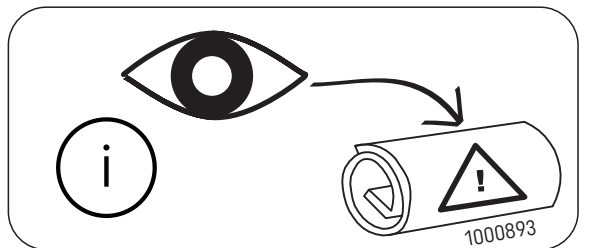
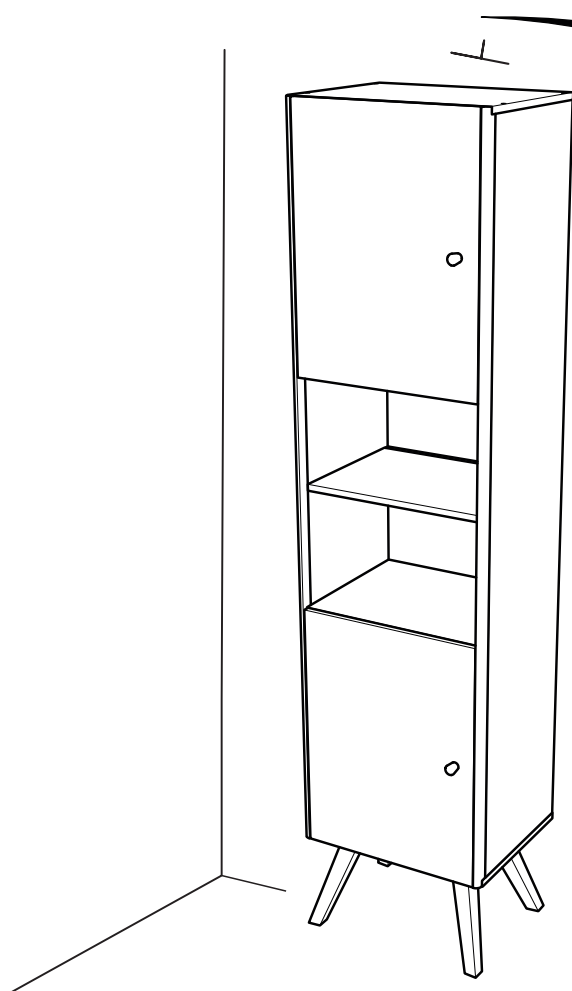
24



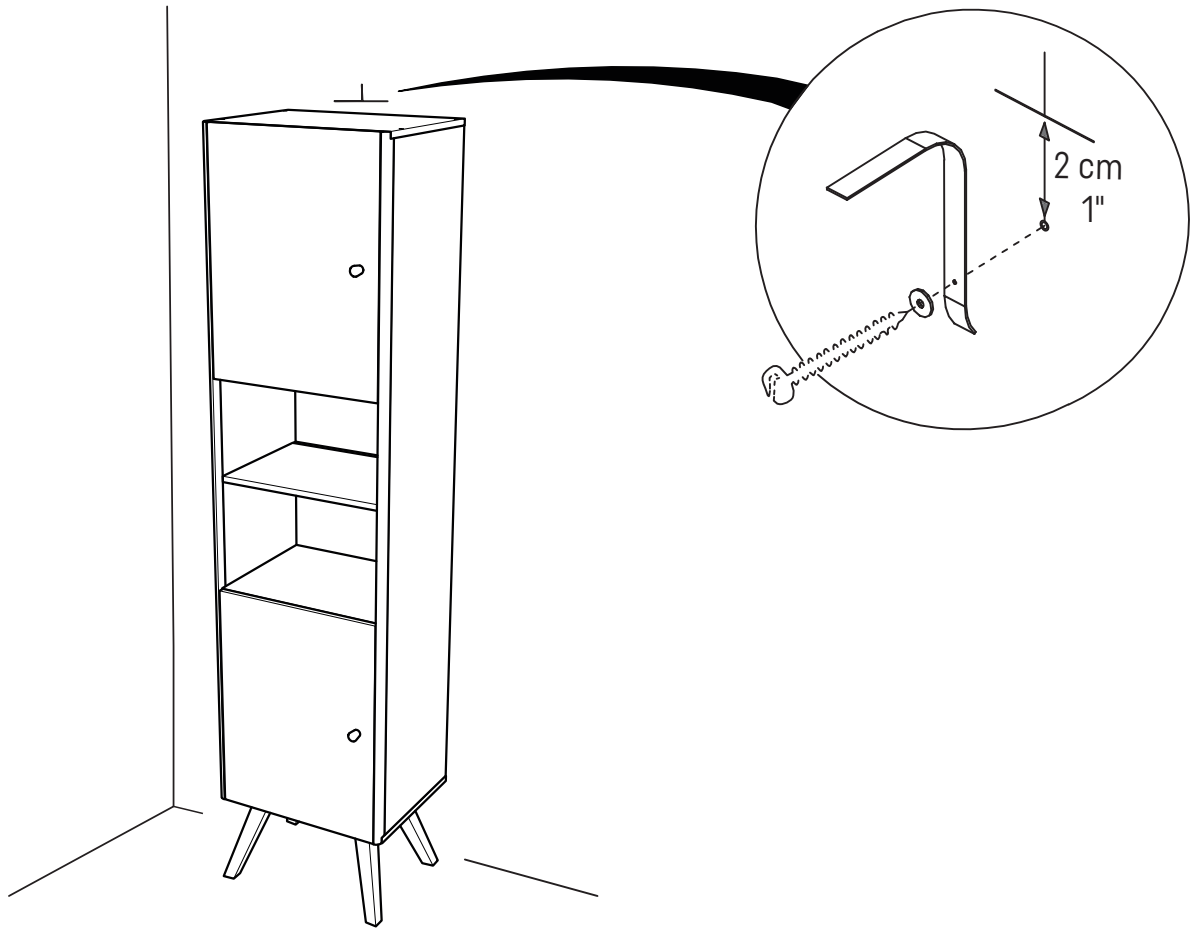
25



26



27



28

