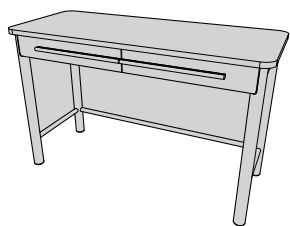


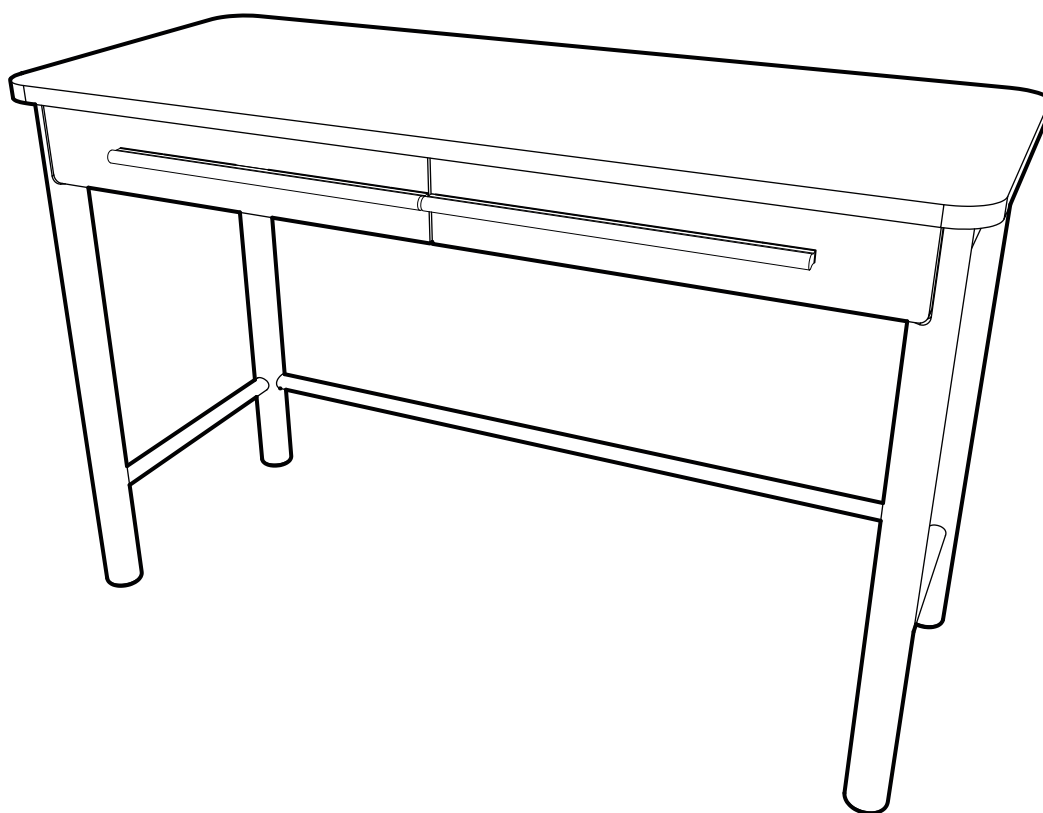
# OMM

VOX

4022515\_001



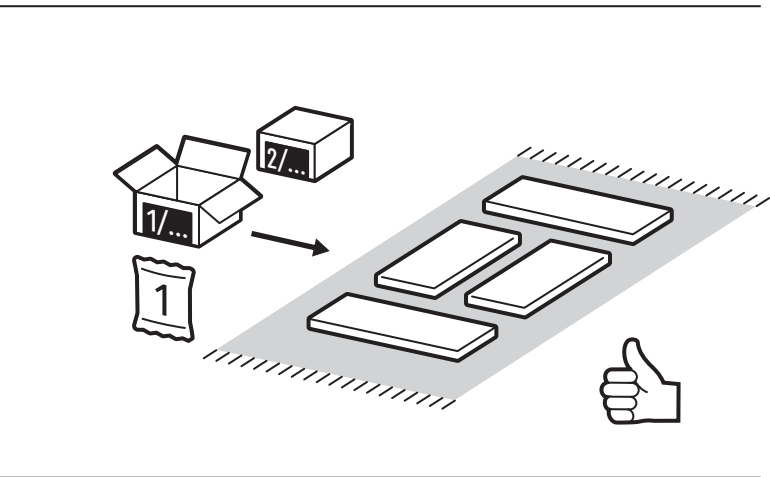
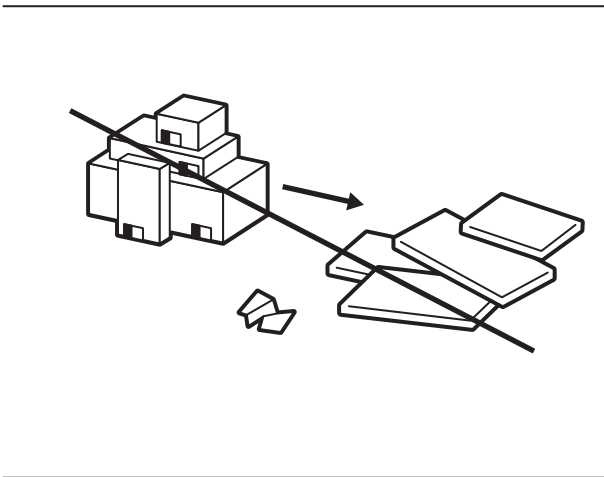
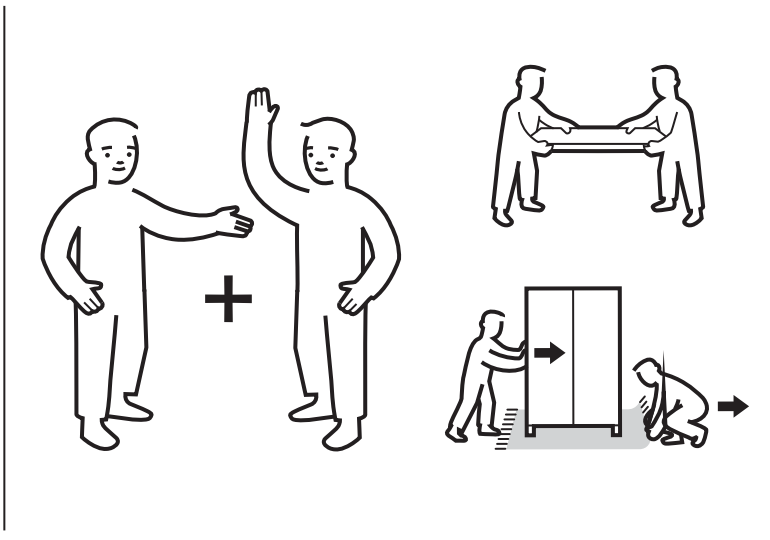
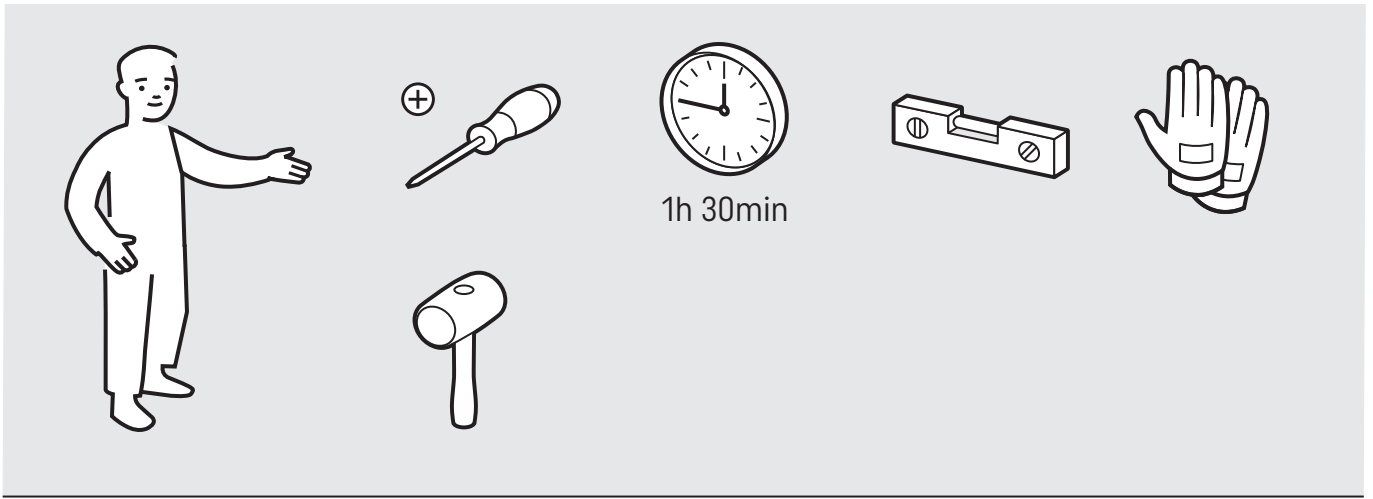
120x50x75 cm  
47 1/4x19 3/4x29 1/2"

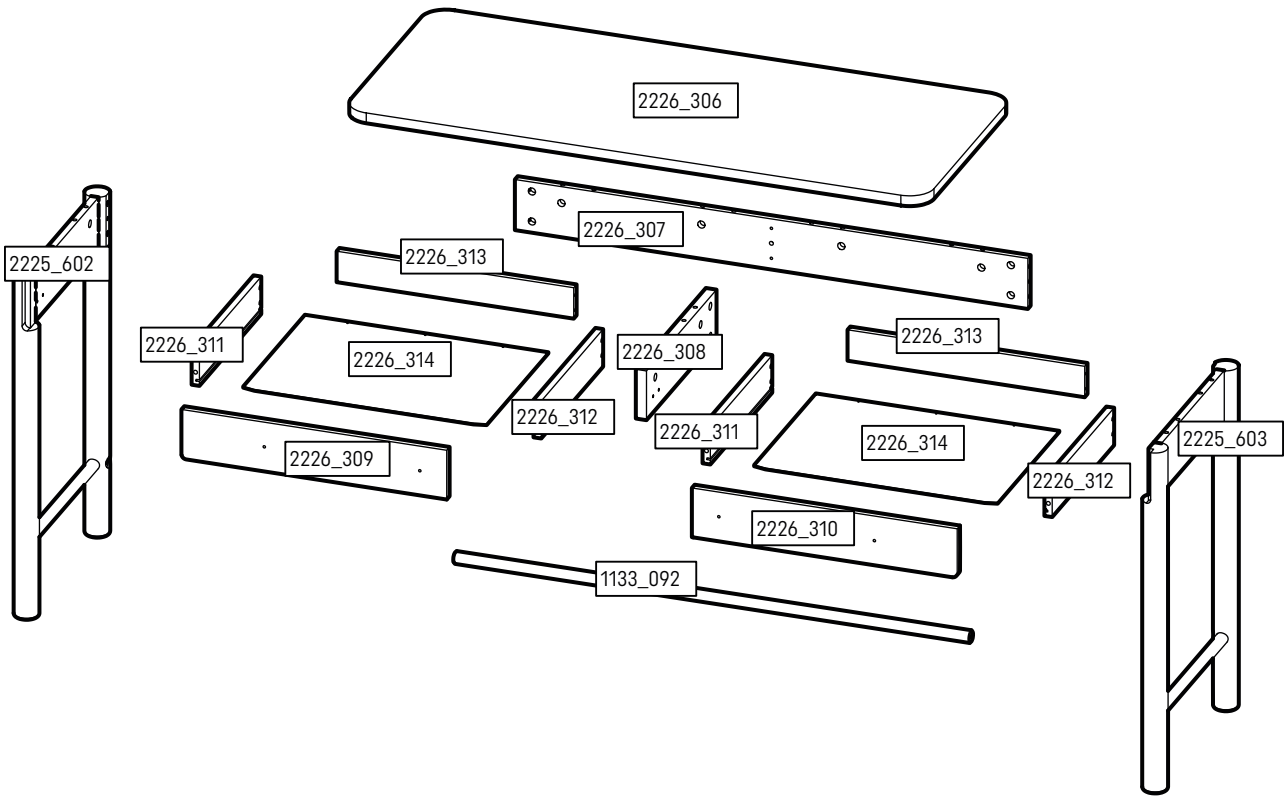
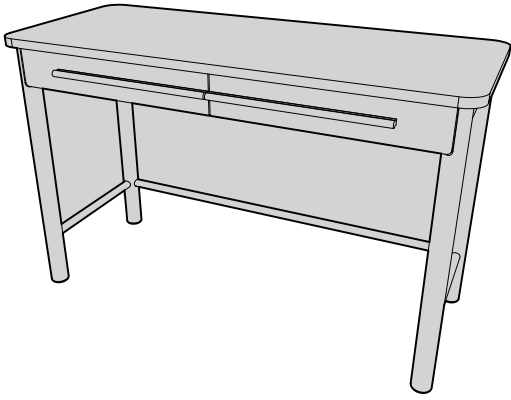


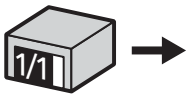
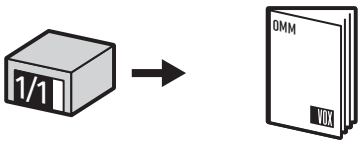
PL • vox.pl

EU • voxfurniture.com


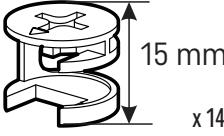
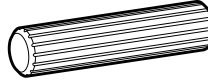
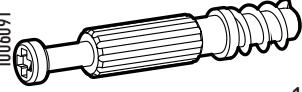
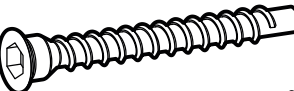
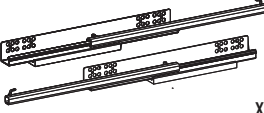

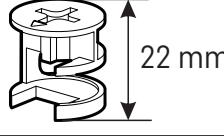

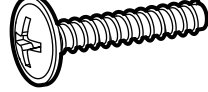
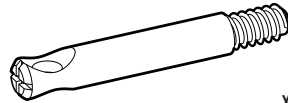
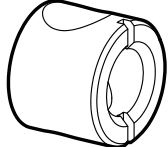
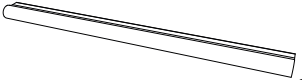


US • voelkelcorp.com

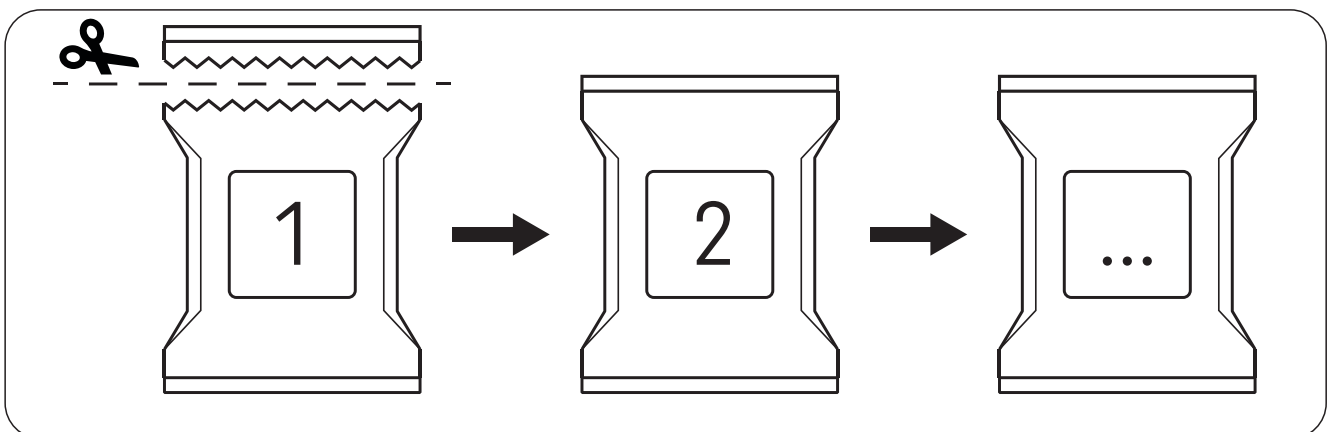




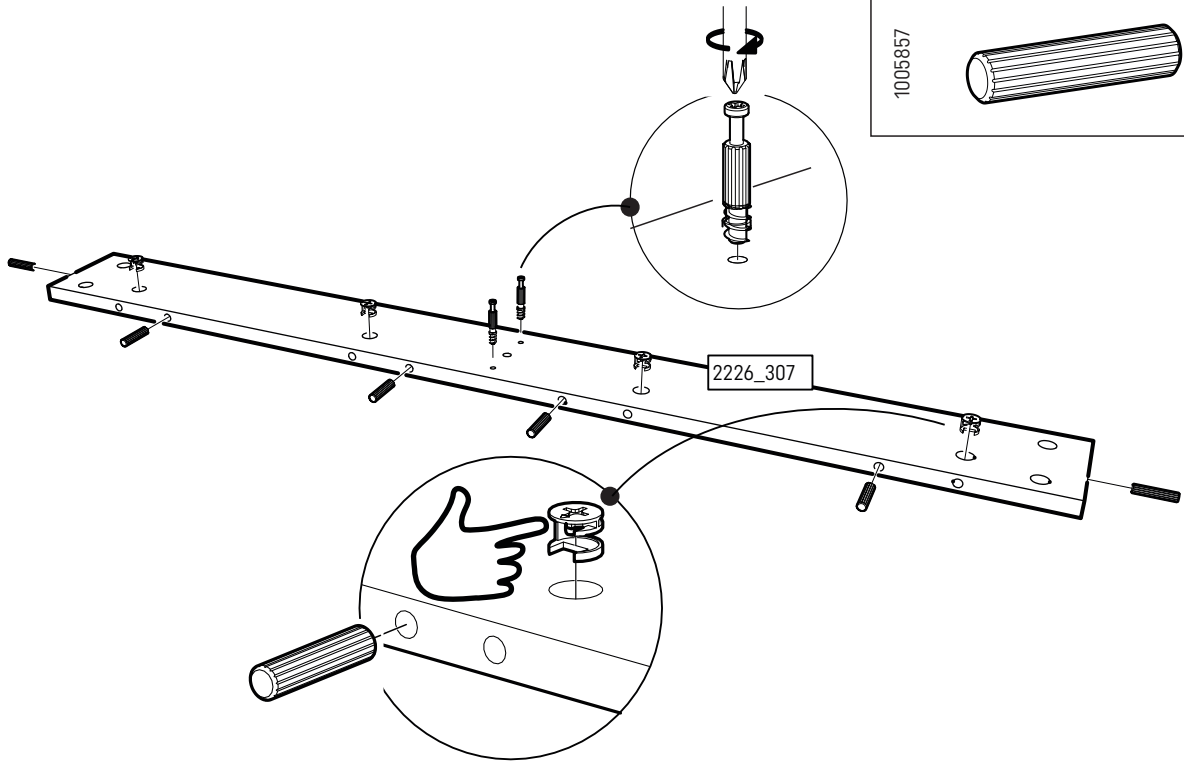
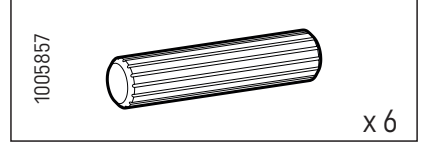
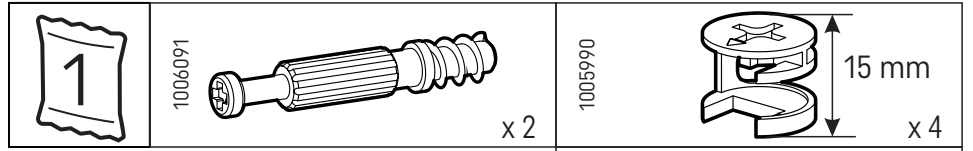


- |          |    |          |    |          |    |
|----------|----|----------|----|----------|----|
| 2225_602 | x1 | 2226_313 | x2 | 2226_308 | x1 |
| 2225_603 | x1 | 2226_311 | x2 | 1133_092 | x1 |
| 2226_307 | x1 | 2226_312 | x2 |          |    |
| 2226_309 | x1 | 2226_314 | x2 |          |    |
| 2226_310 | x1 | 2226_306 | x1 |          |    |

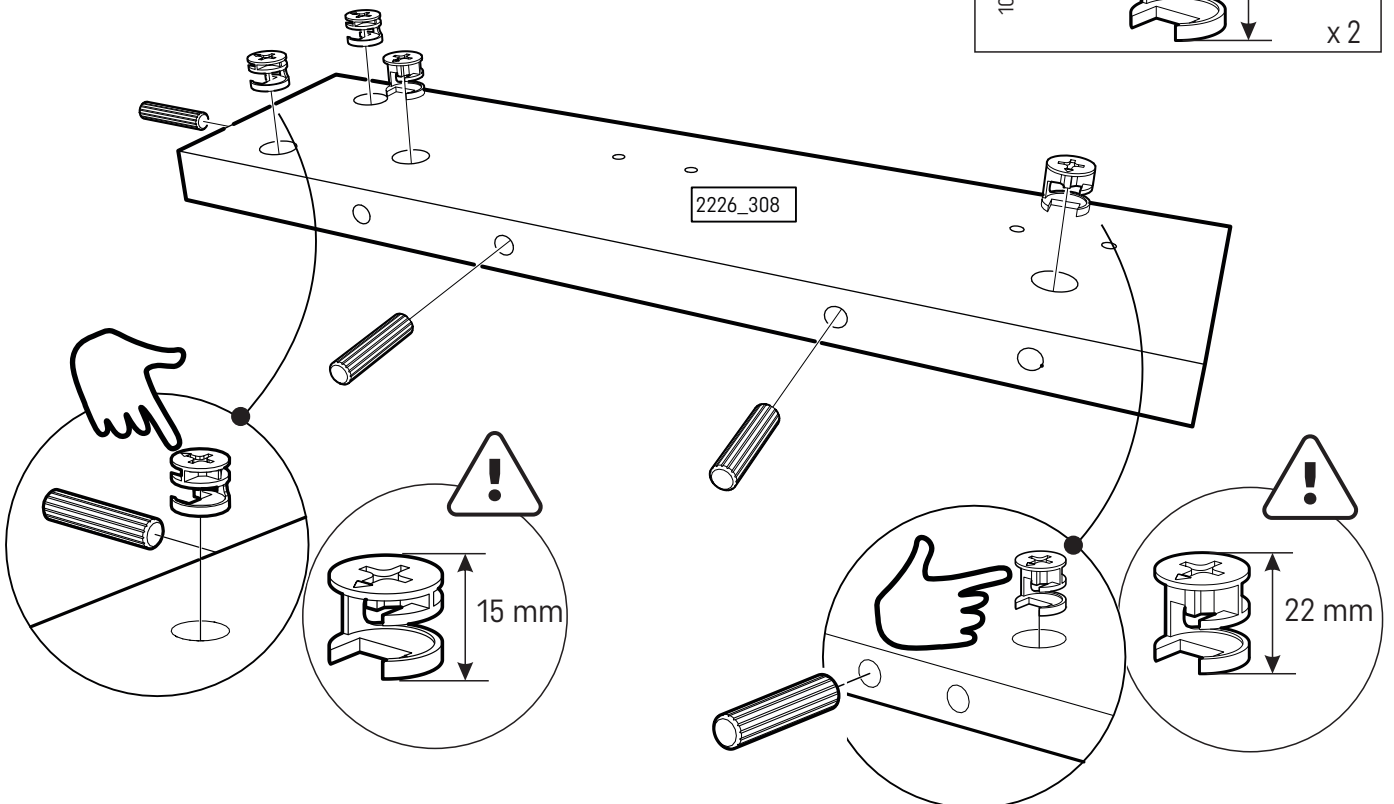
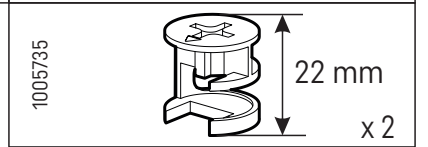
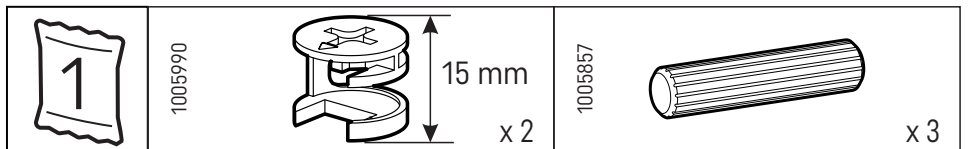
100806  x 1	100990  x 14	100887  x 17	1006091  x 16
1005876  x 8	1000993  x 2	1005713  x 16	1005735  x 2
1006012  x 6	1006031  x 4	1125733  x 6	1125730  x 6
1133104  x 2	1125732  x 6	1113824  x 4	





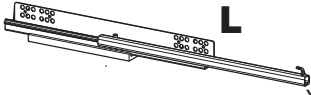
1

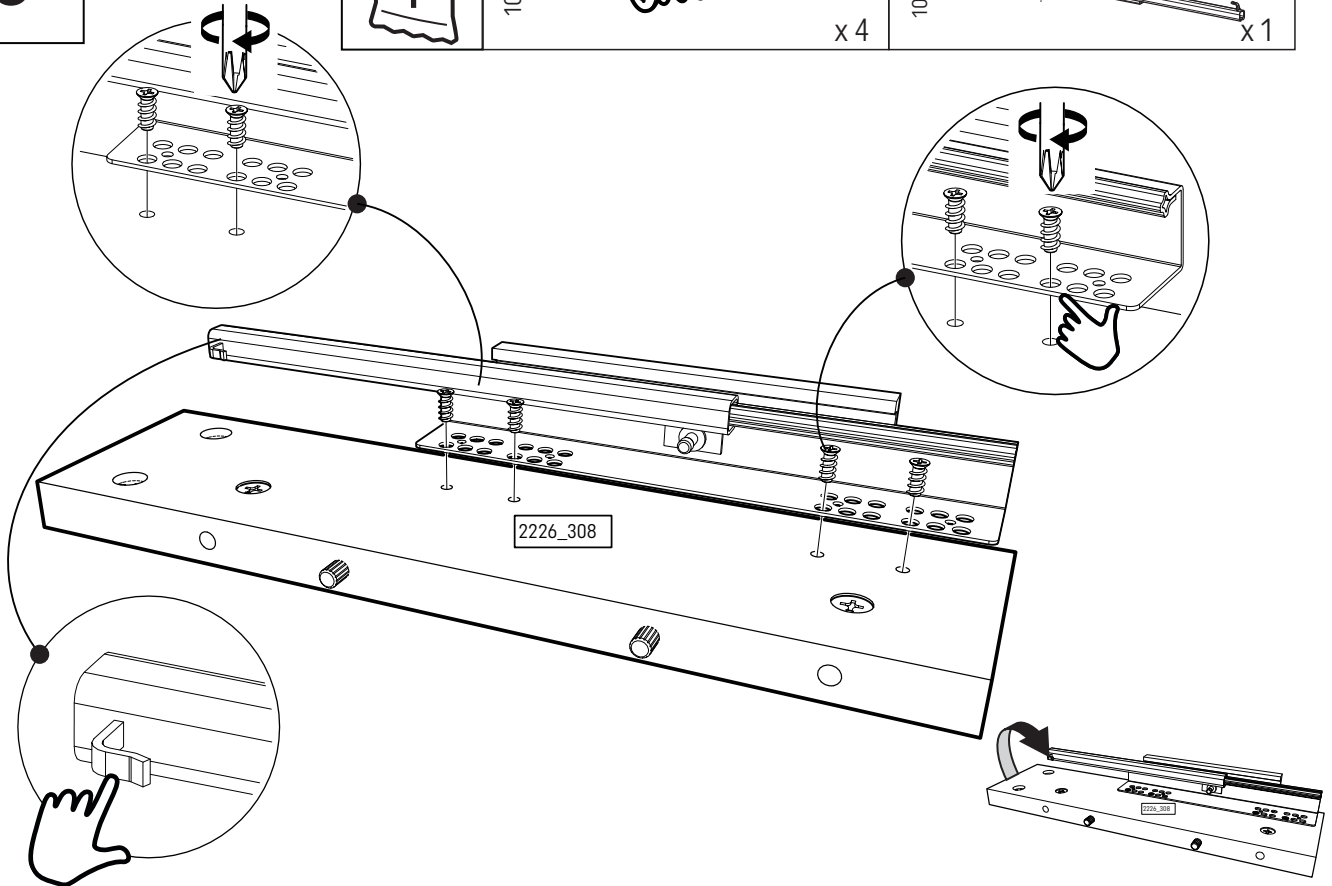


2



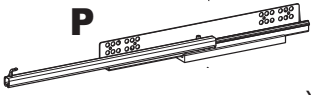


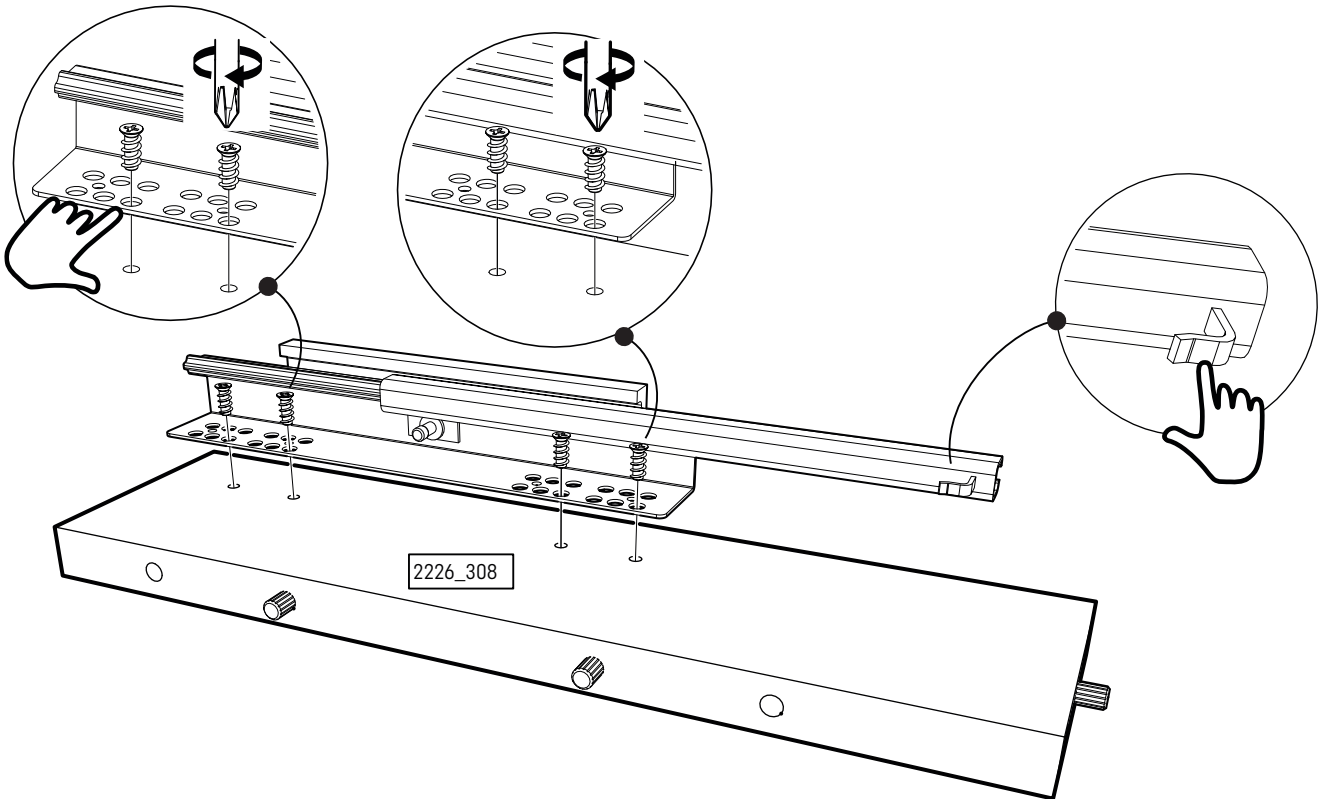
3

	1005713		x 4	1000993		x 1
---	---------	---	-----	---------	---	-----

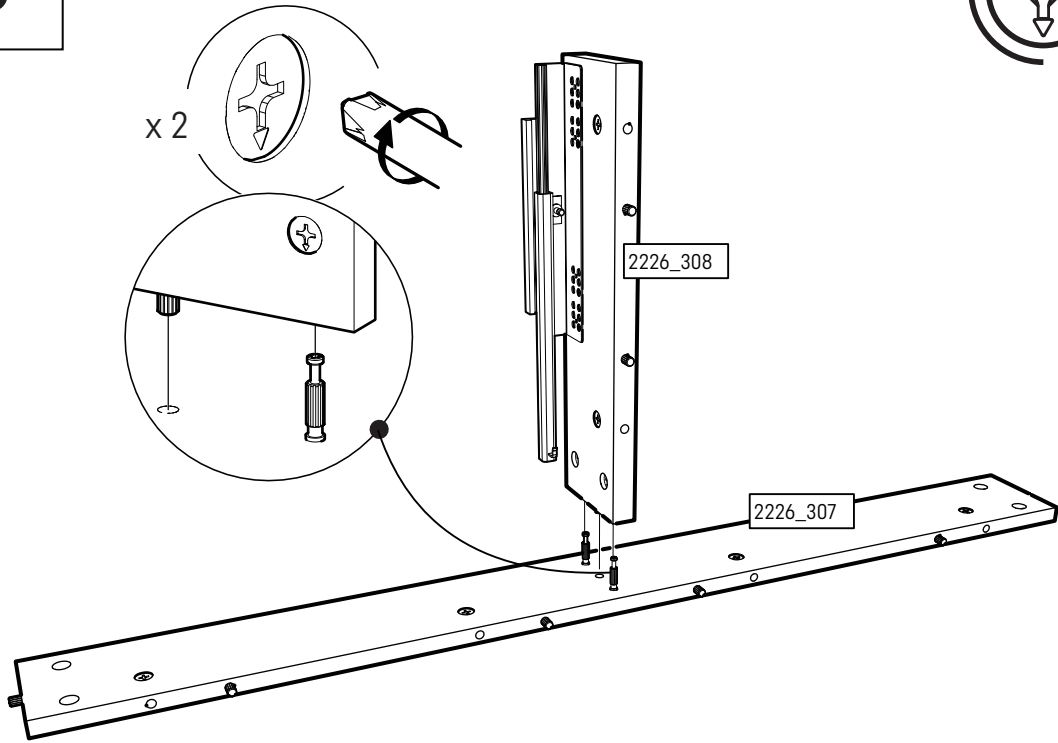
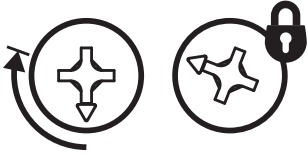


4


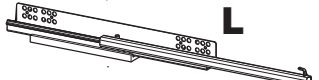

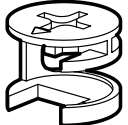
	1005713		x 4	1000993		x 1
---	---------	---	-----	---------	---	-----

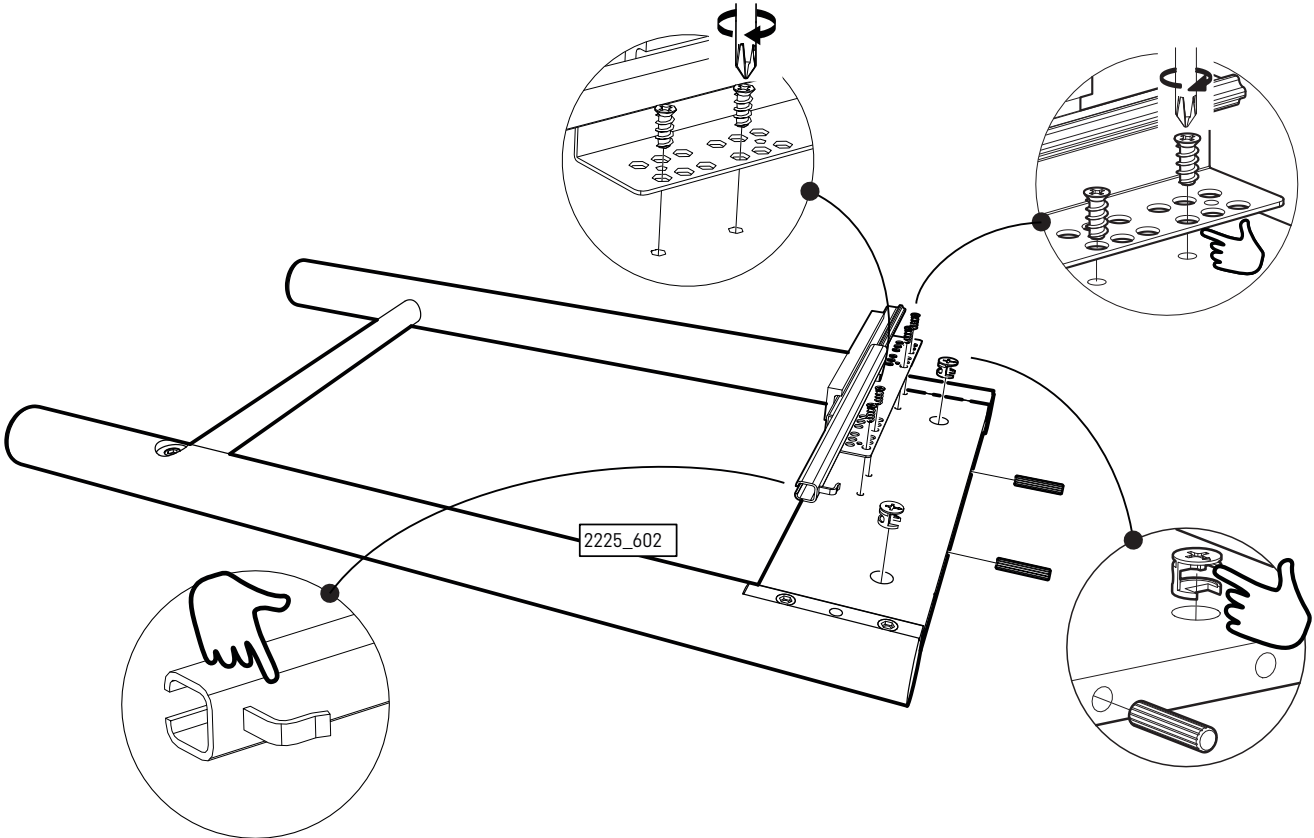


5

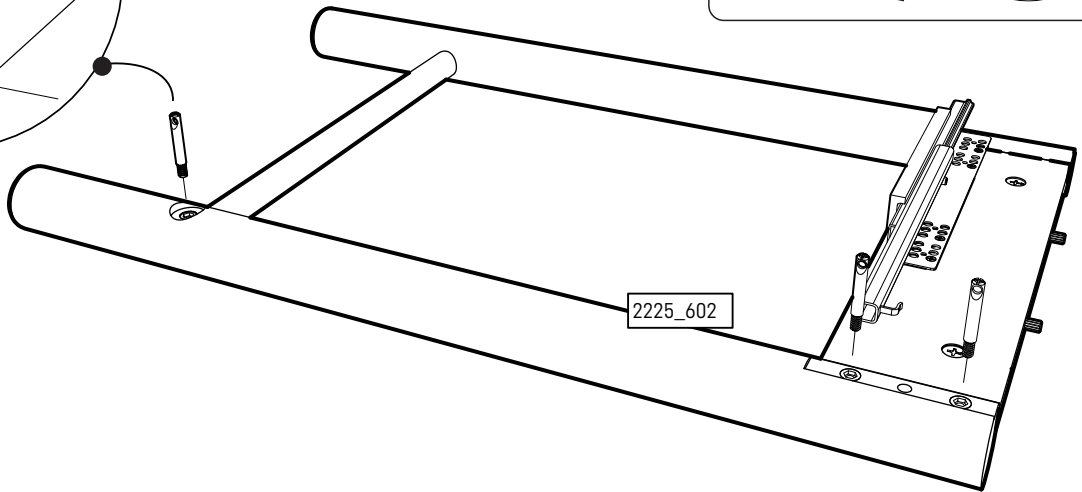
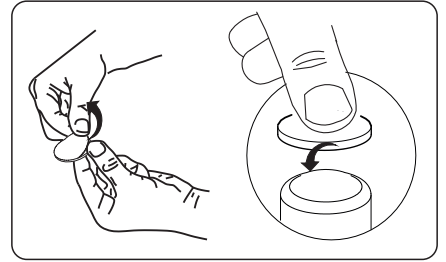
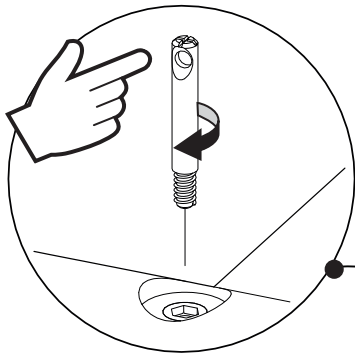
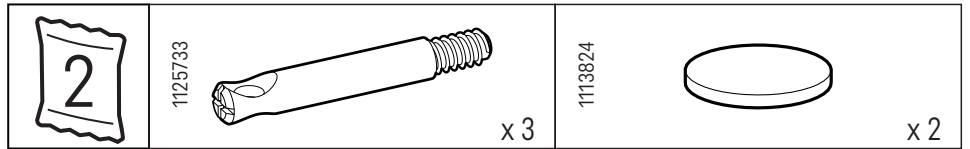


6

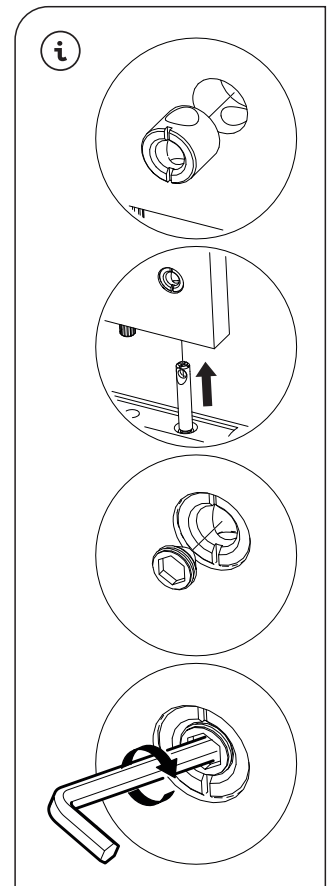
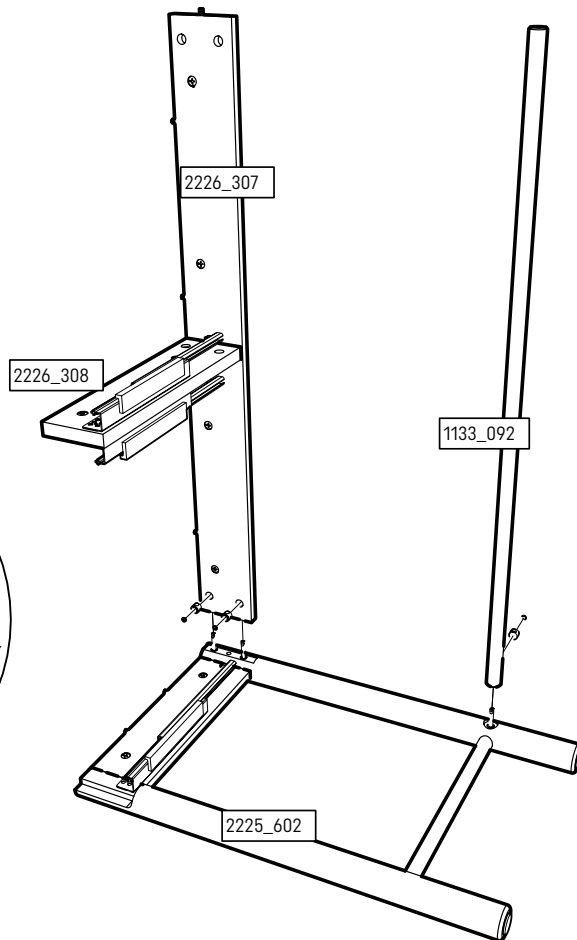
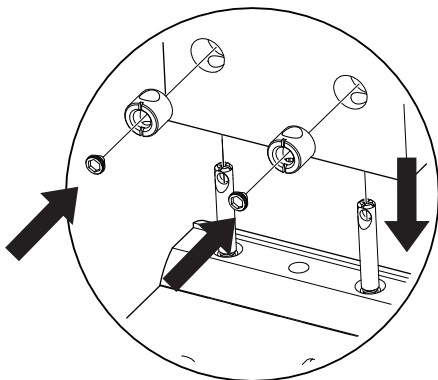
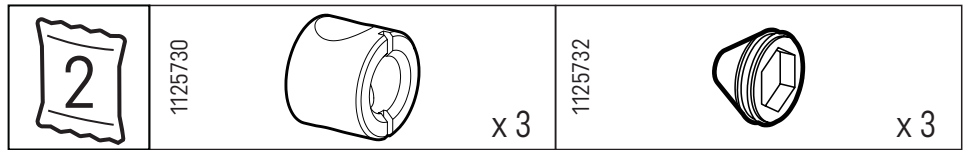
	<p>1005713</p>  <p>x 4</p>	<p>1000993</p>  <p>x 1</p>
	<p>1005857</p>  <p>x 2</p>	<p>1005990</p>  <p>x 2</p>





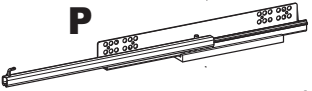
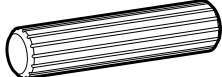
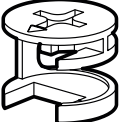
7

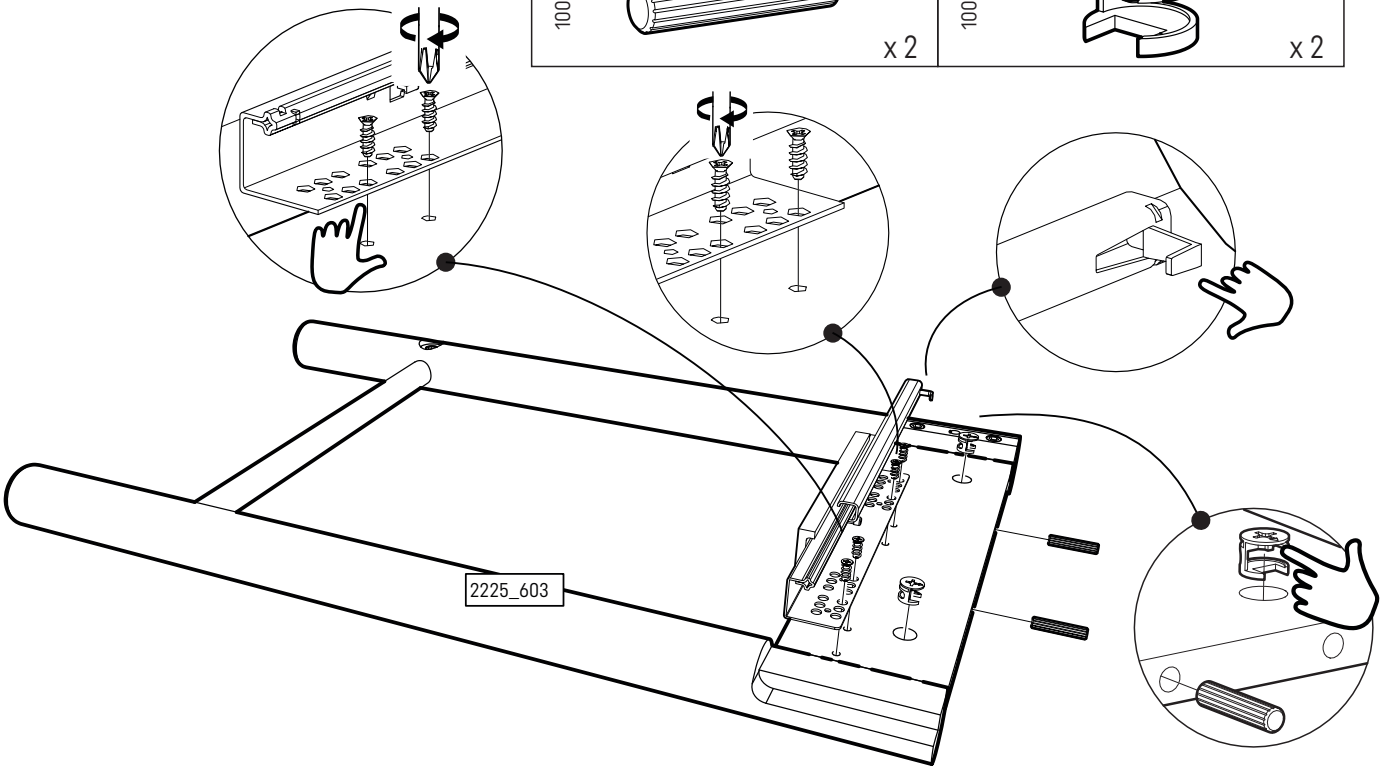


8






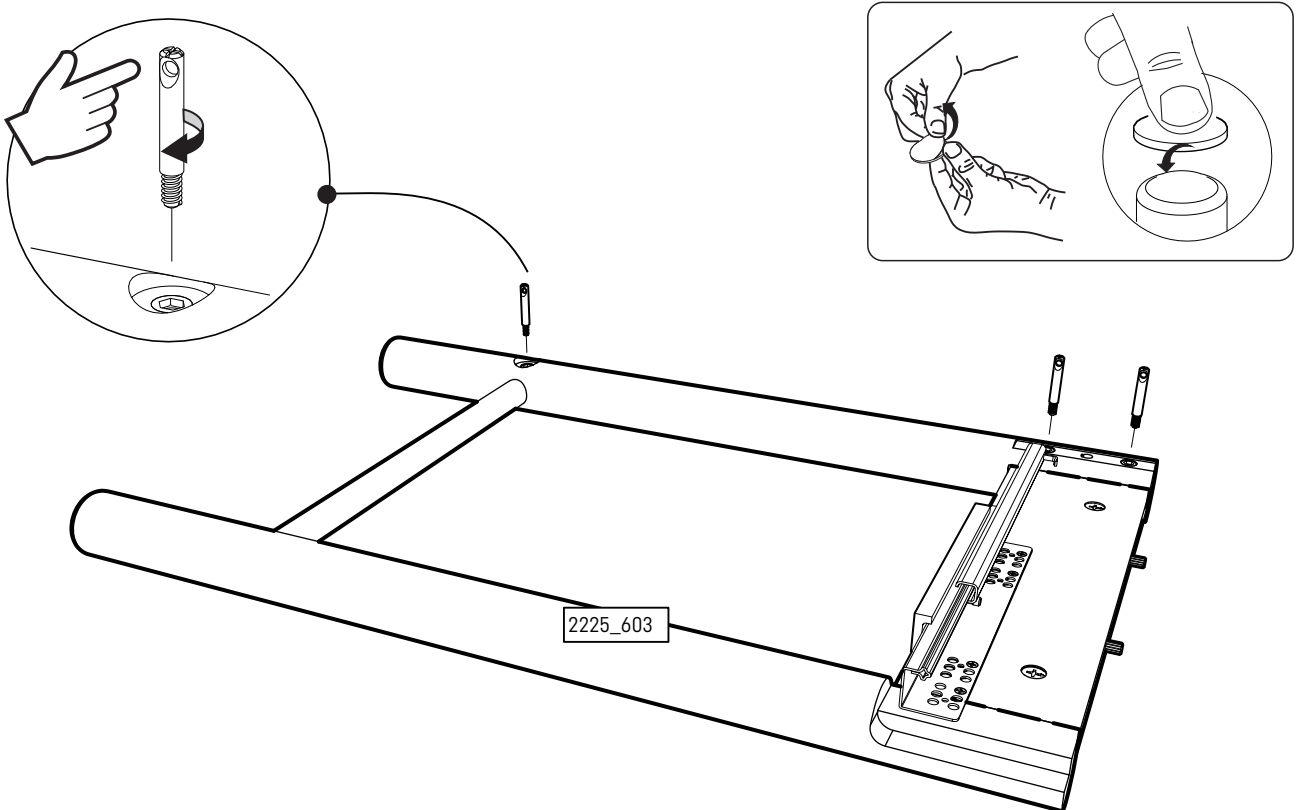
9

	1005713  x 4	1000993  x 1
	1005857  x 2	1005990  x 2






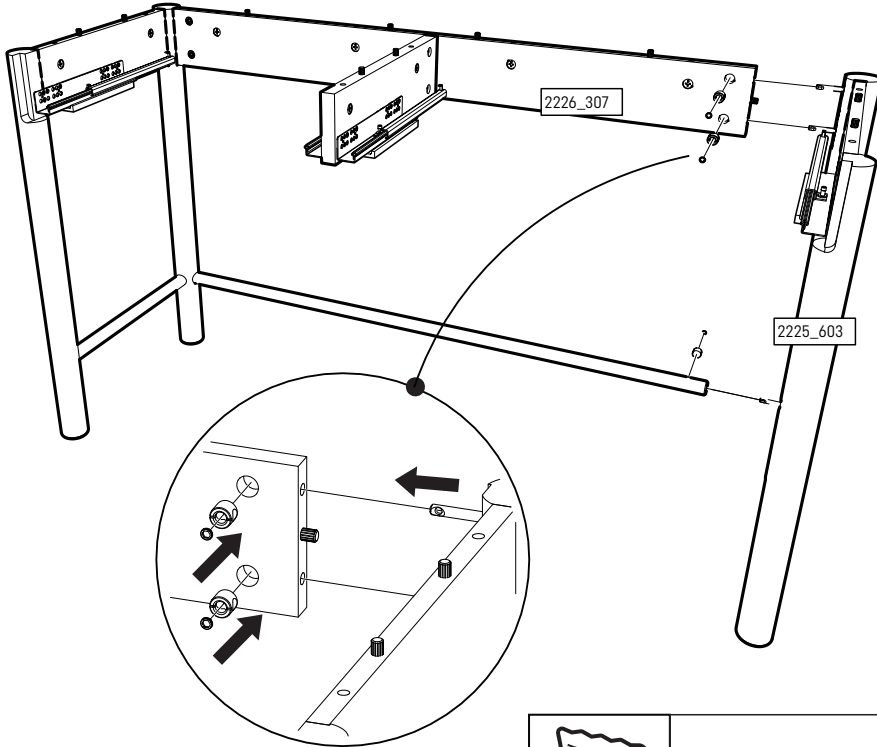
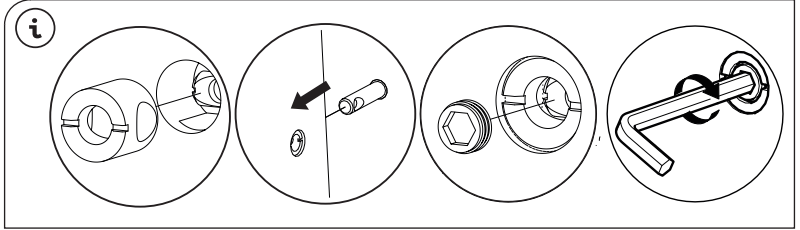
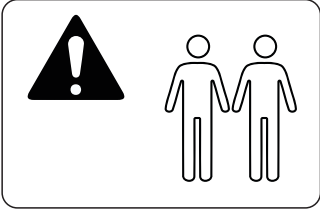
10

	1125733  x 3	1113824  x 2
---	--	---


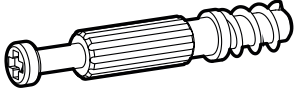


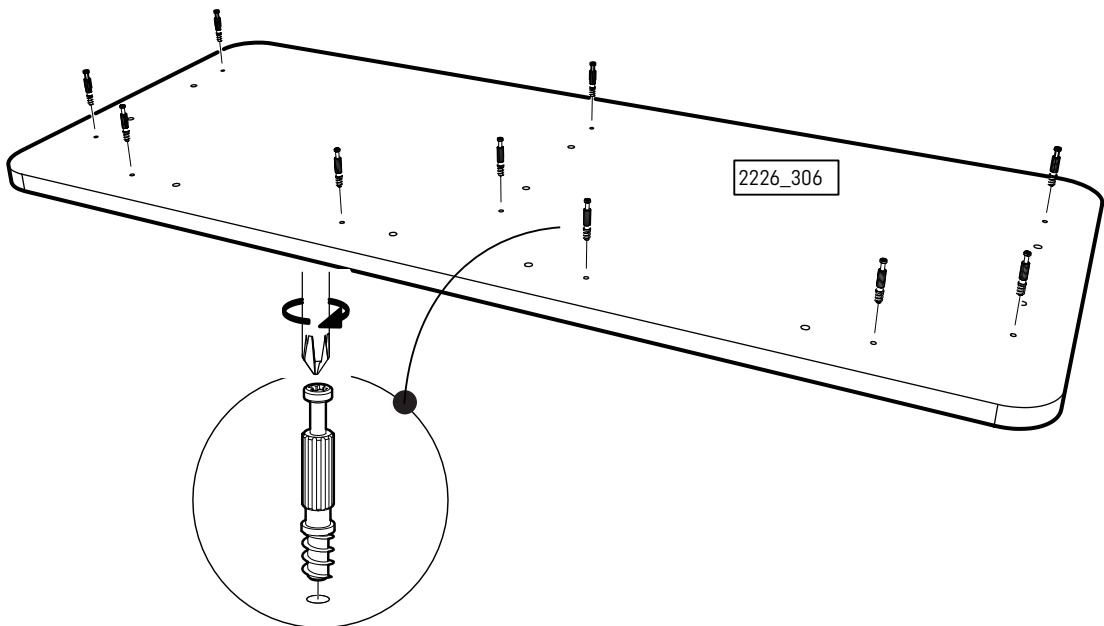
11

	1125730		x 3	1125732		x 3
---	---------	---	-----	---------	---	-----

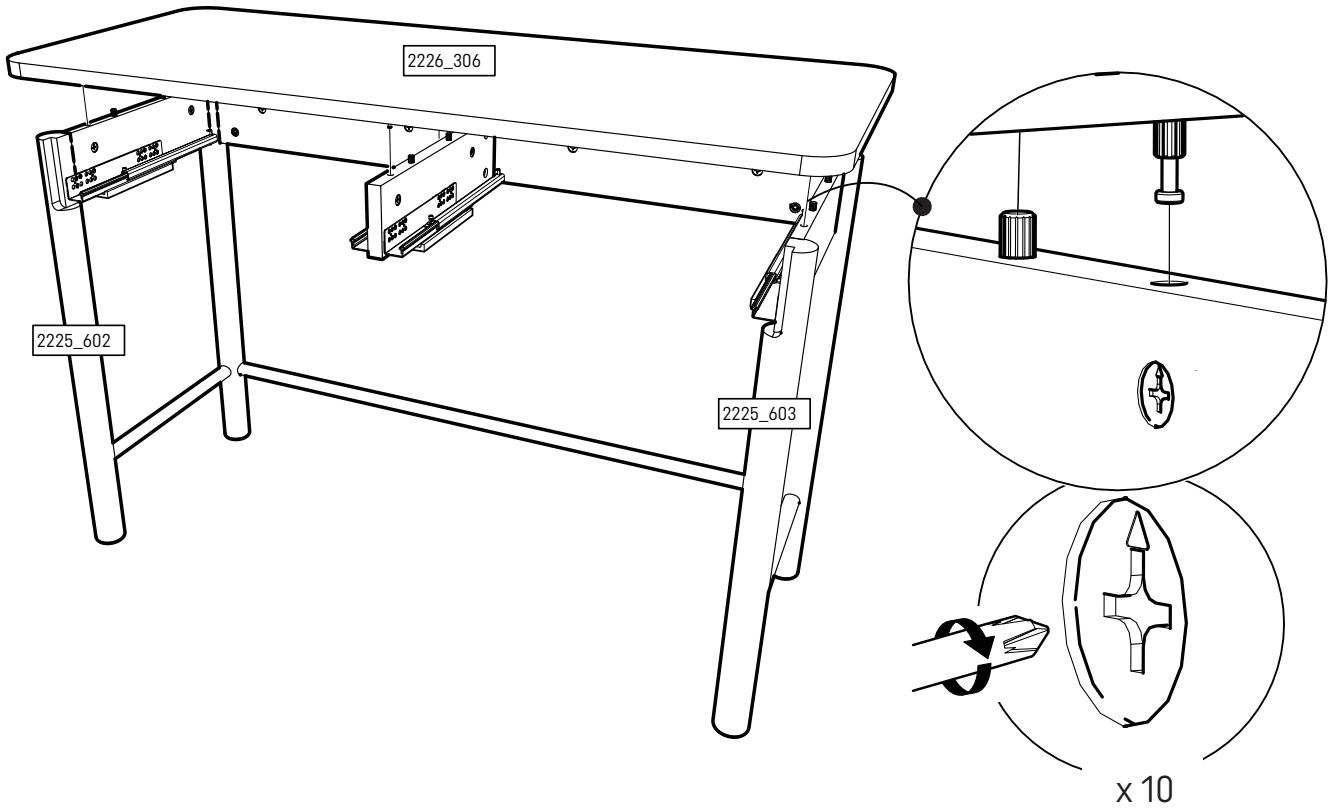
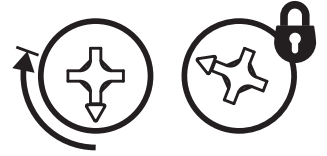


12

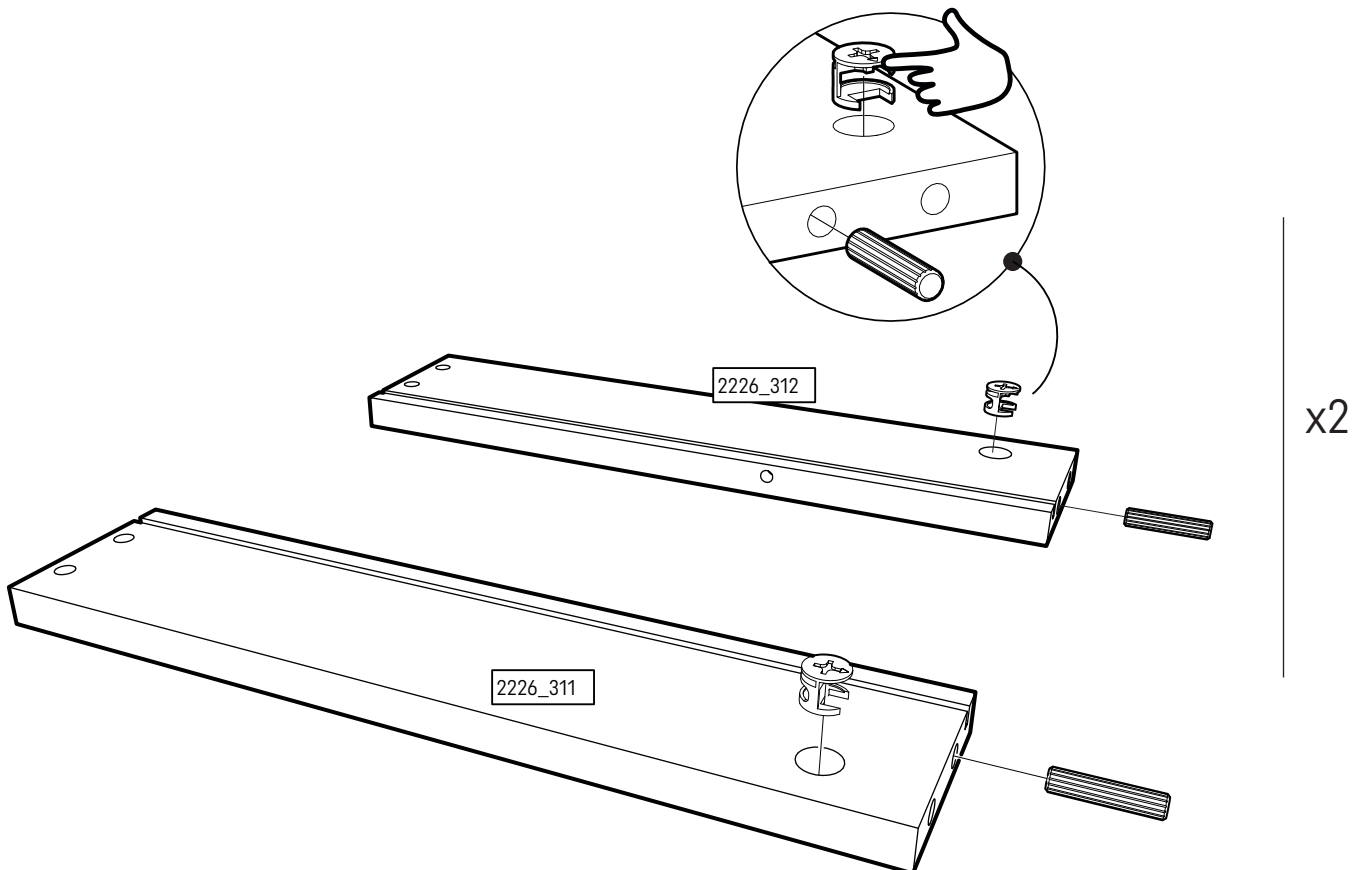
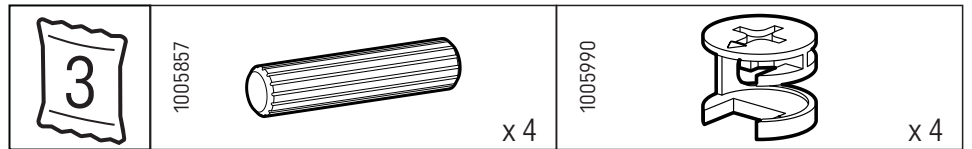
	1006091		x 10
--	---------	---	------



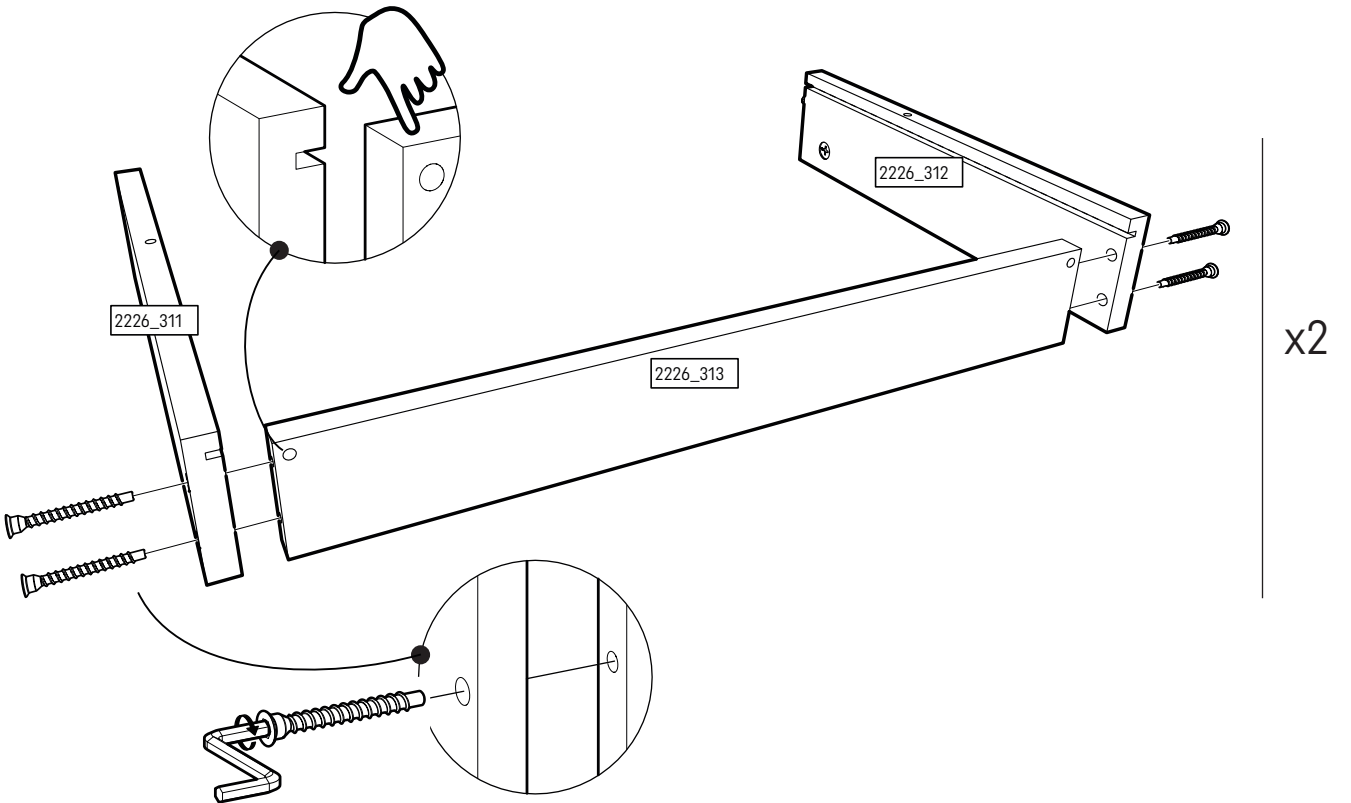
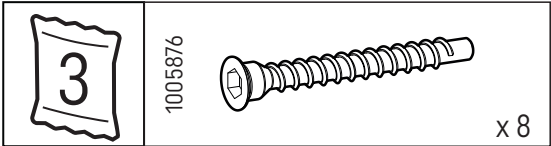
13



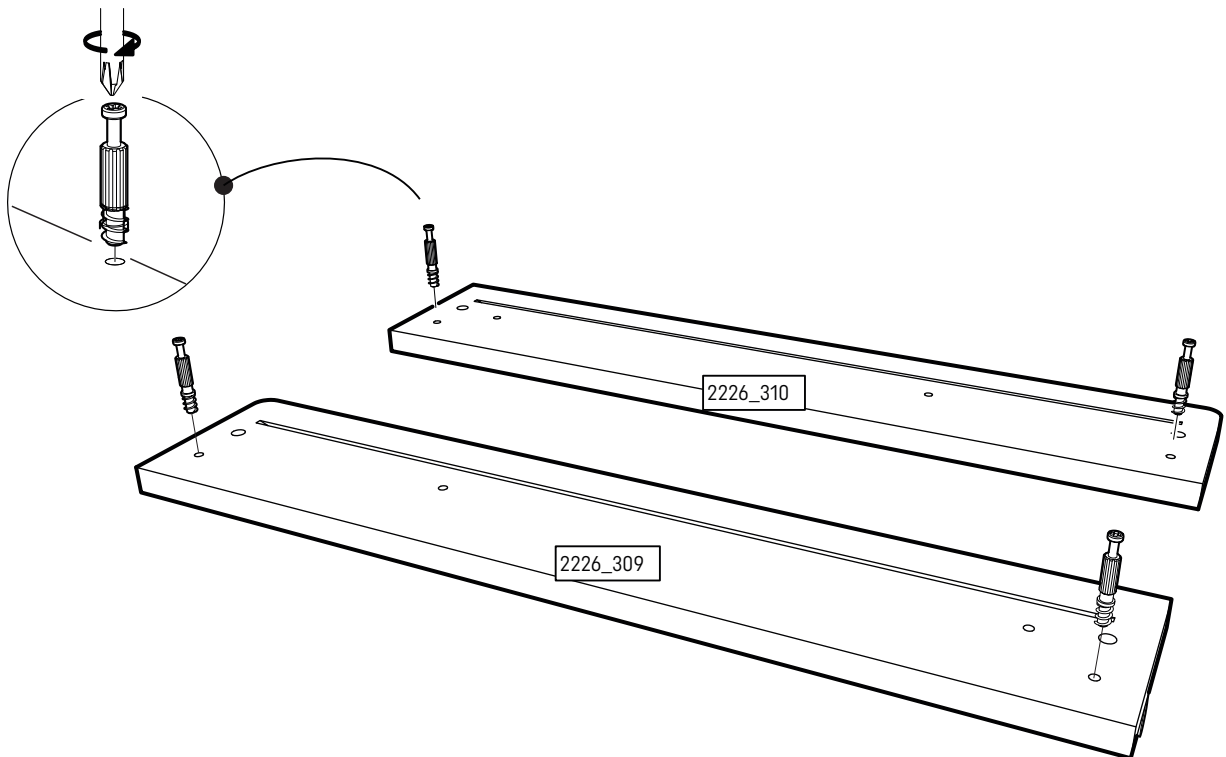
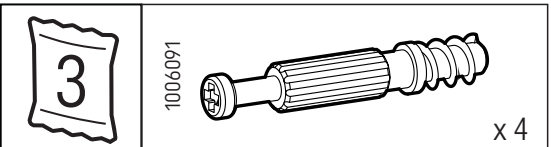
14



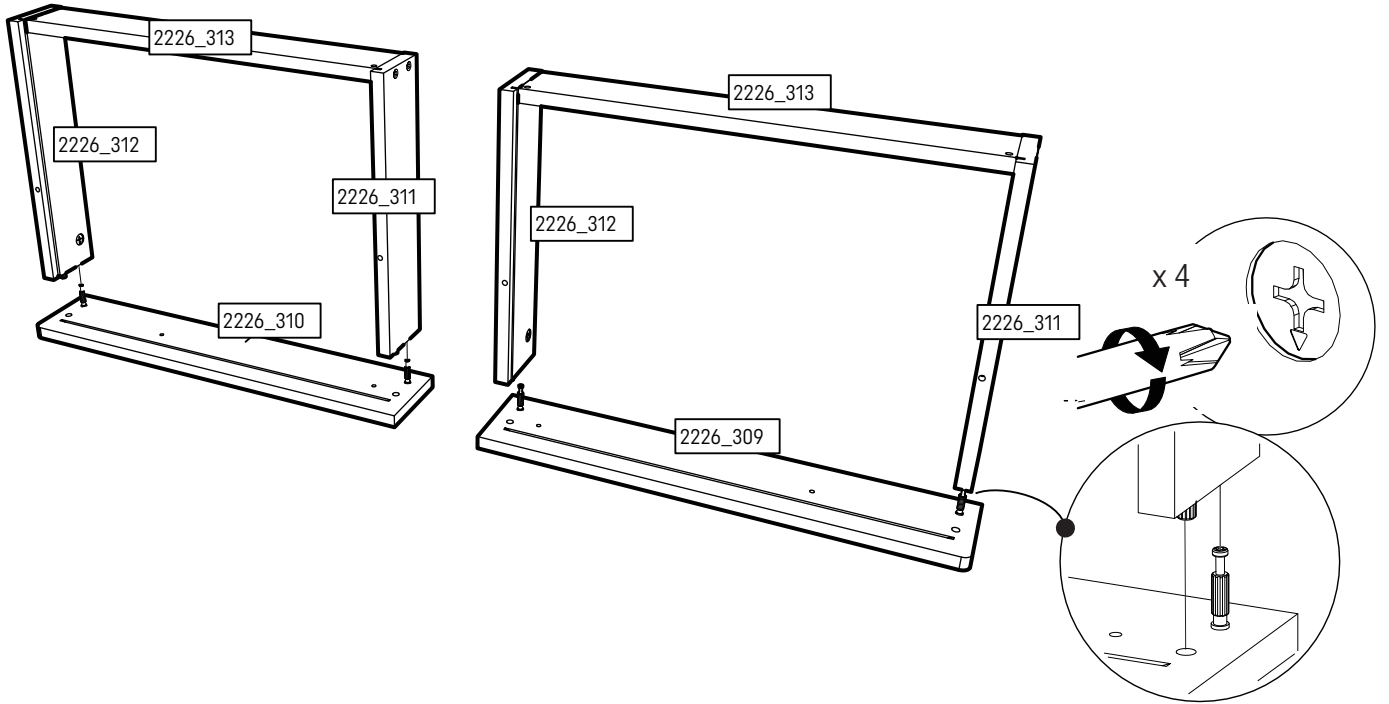
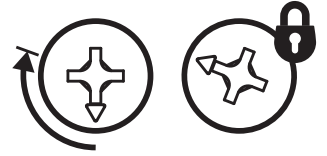
15



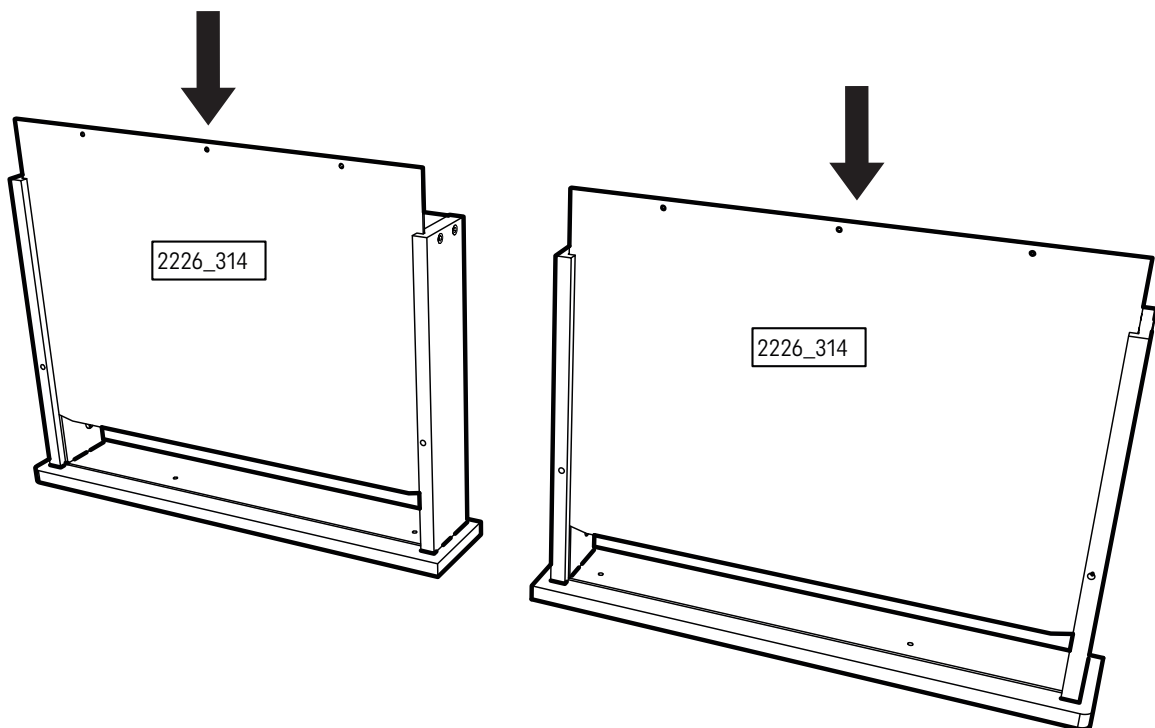
16





17



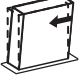




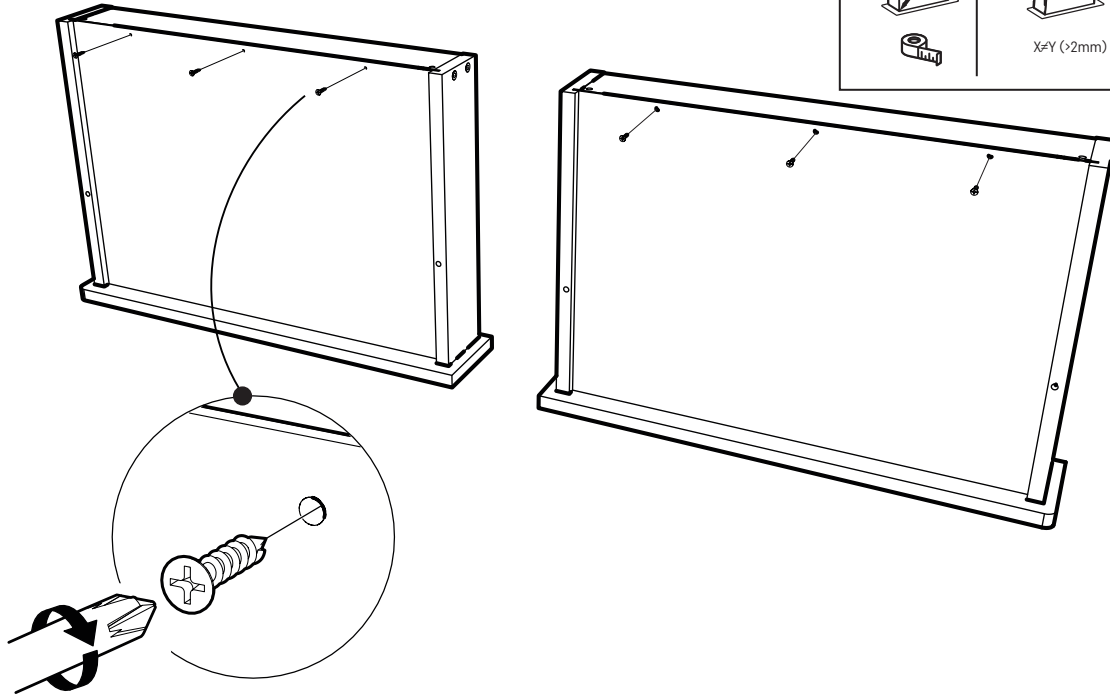
18




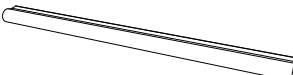
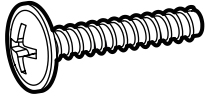
19

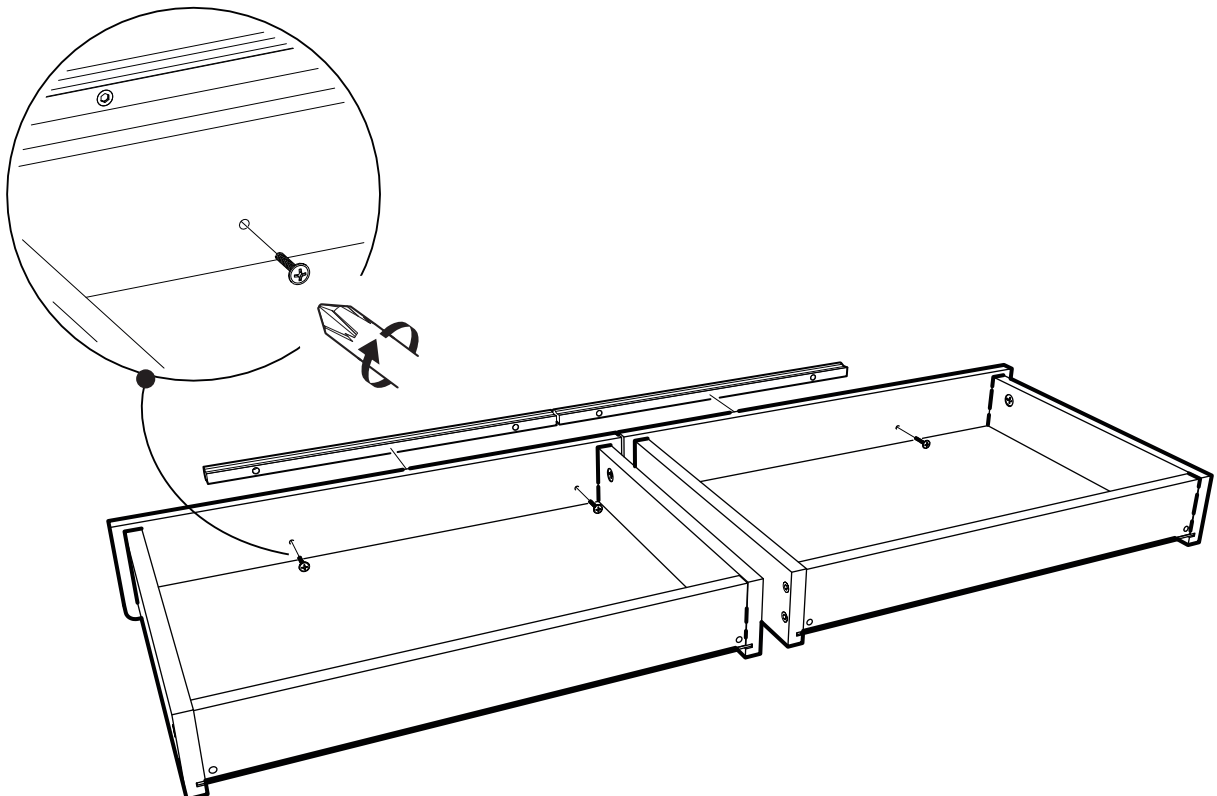
	1006012		x 6
--	---------	---	-----

			
		X=Y (>2mm)	X=Y (±2mm)



20

	1133104		x 2	1006031		x 4
---	---------	--	-----	---------	---	-----



21

