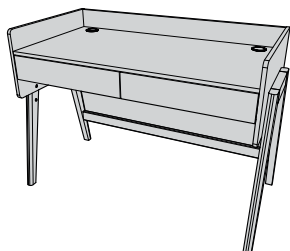


# MUVE

VOX

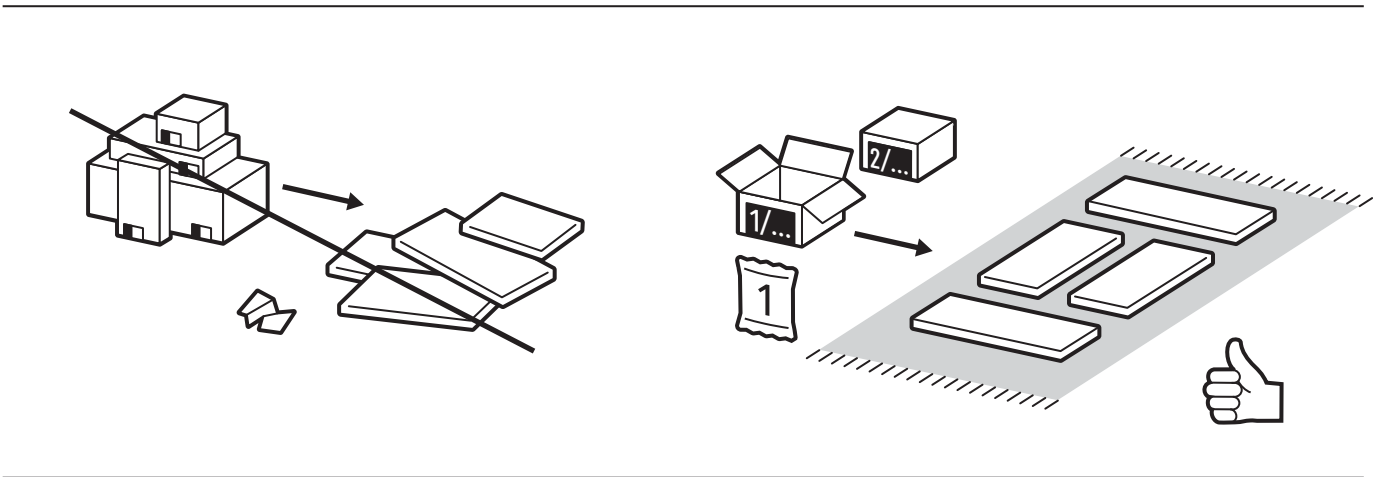
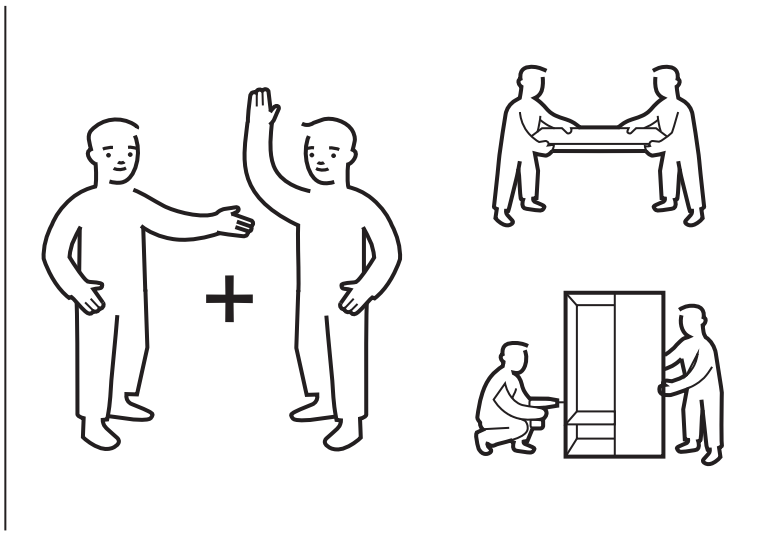
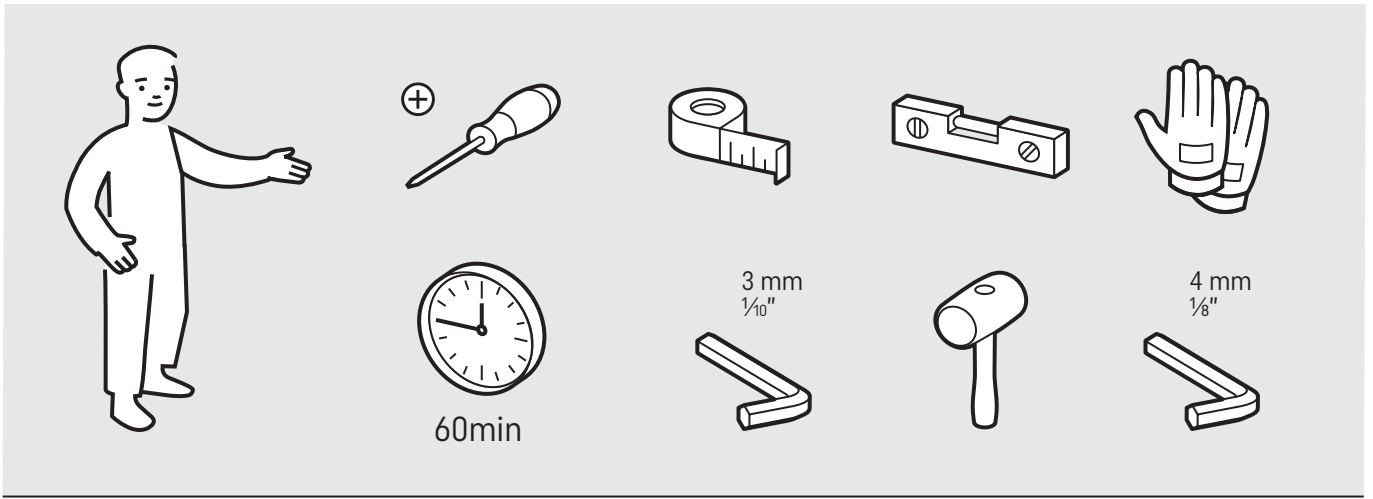
4023794\_001

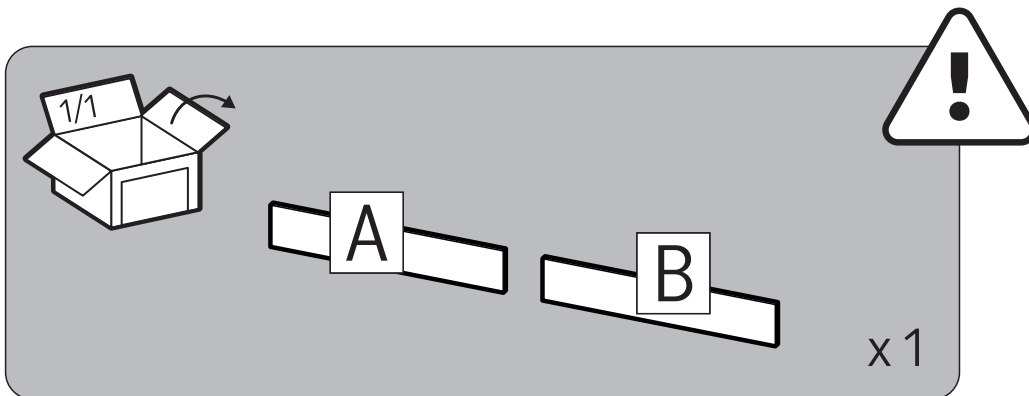
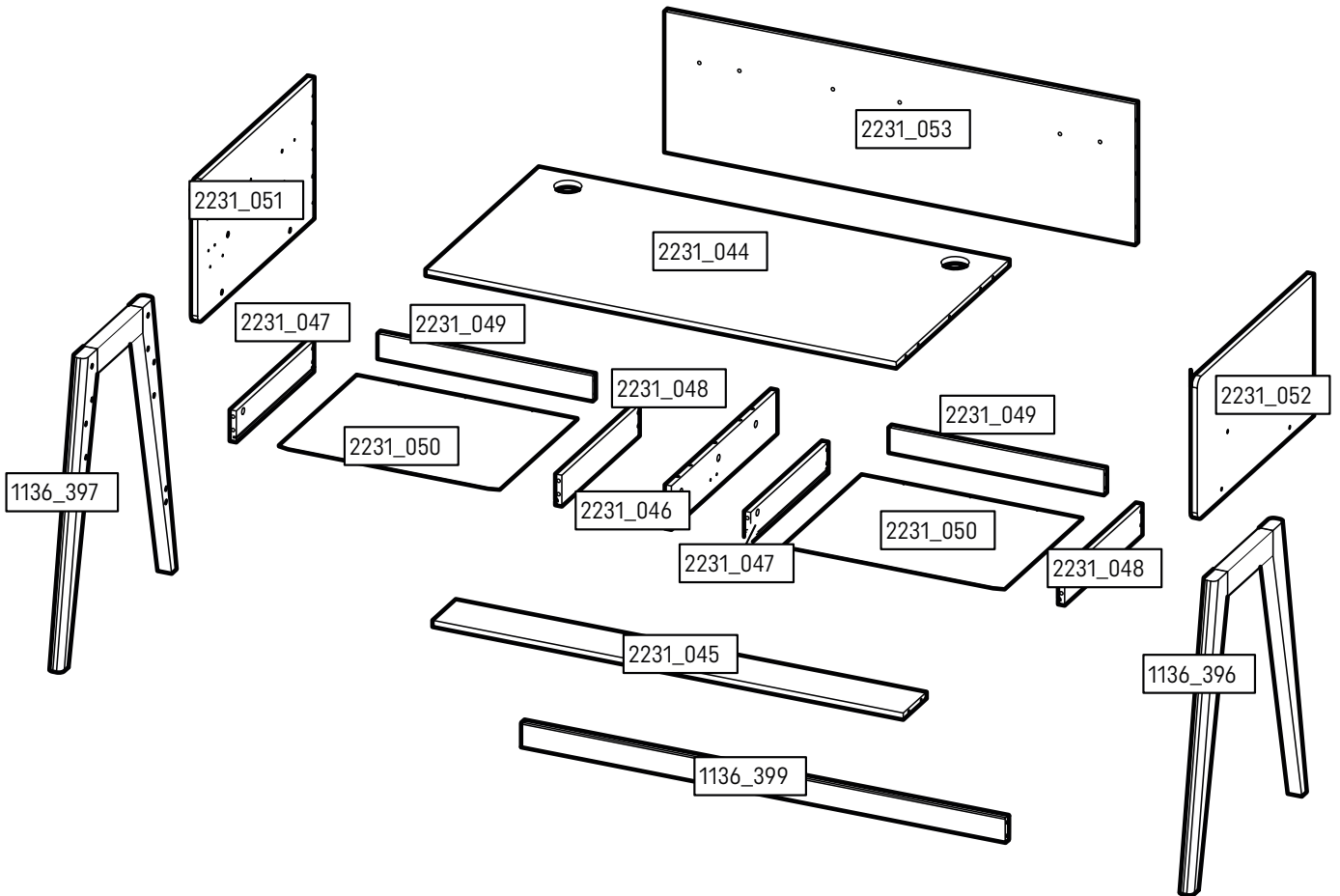
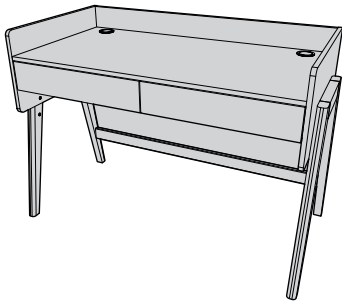


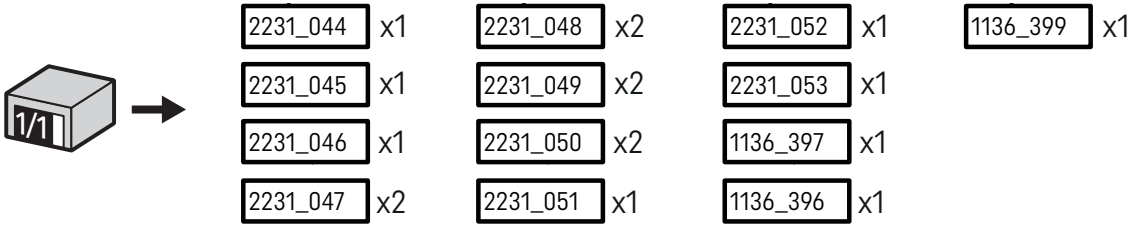
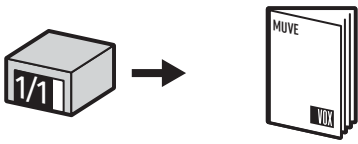
121x60x86/78 cm  
47 <sup>3</sup>/<sub>4</sub>x23 <sup>3</sup>/<sub>4</sub>x34/30 <sup>1</sup>/<sub>4</sub>"

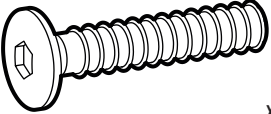

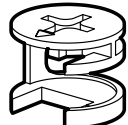
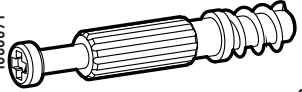
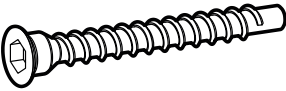
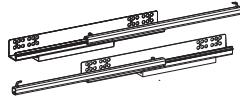



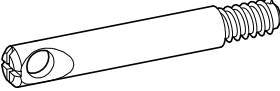
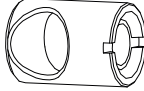
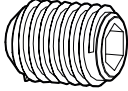

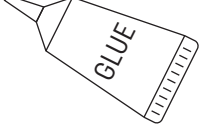


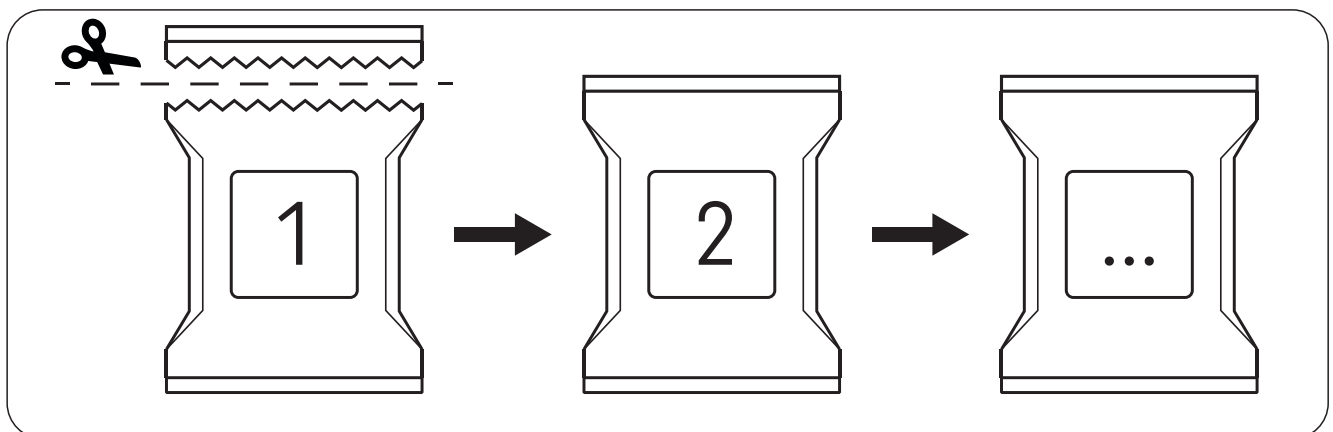
PL • vox.pl  
EU • voxfurniture.com  
US • voelkelcorp.com





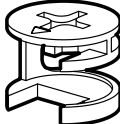
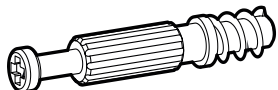


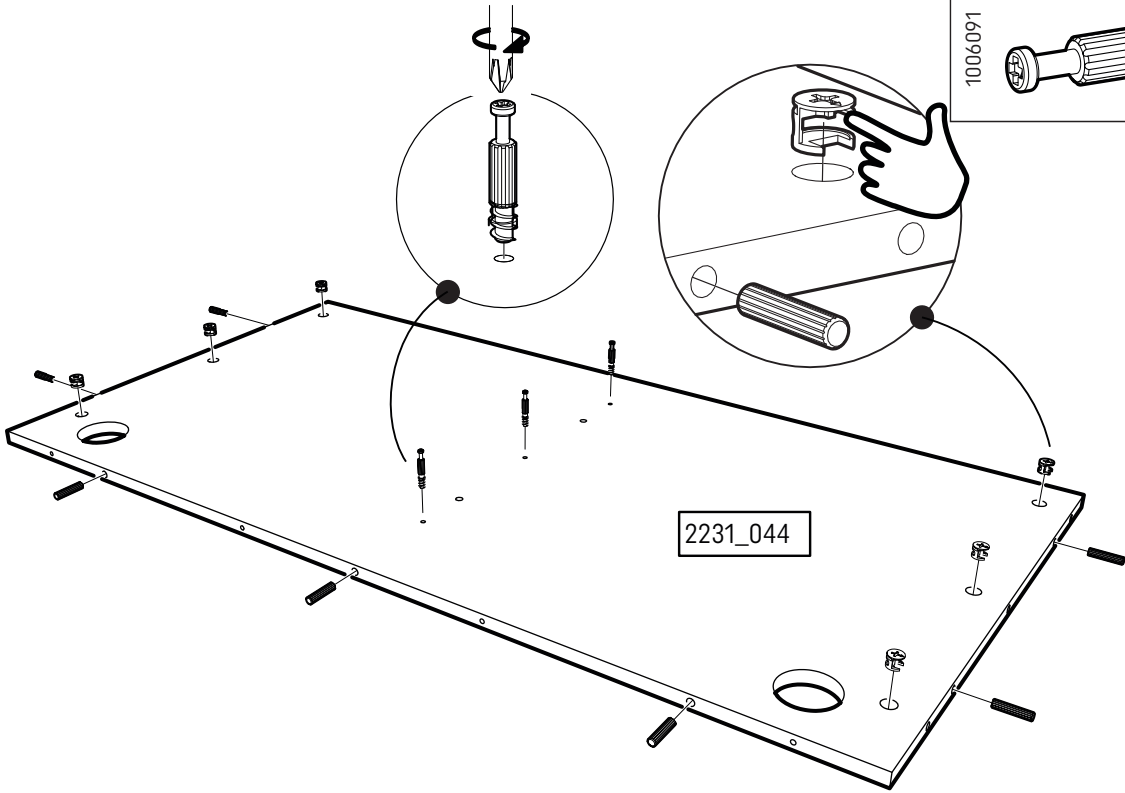


1005740  x 8	1005857  x 17	1005990  x 23	1006091  x 23
1005876  x 16	1000994  x 2	1006012  x 6	1136475  x 4
1005713  x 16	1125733  x 4	1124966  x 4	1120498  x 4
1113859  x 2	1000078  x 1		


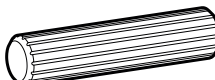


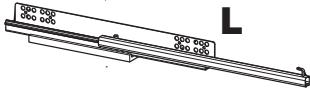


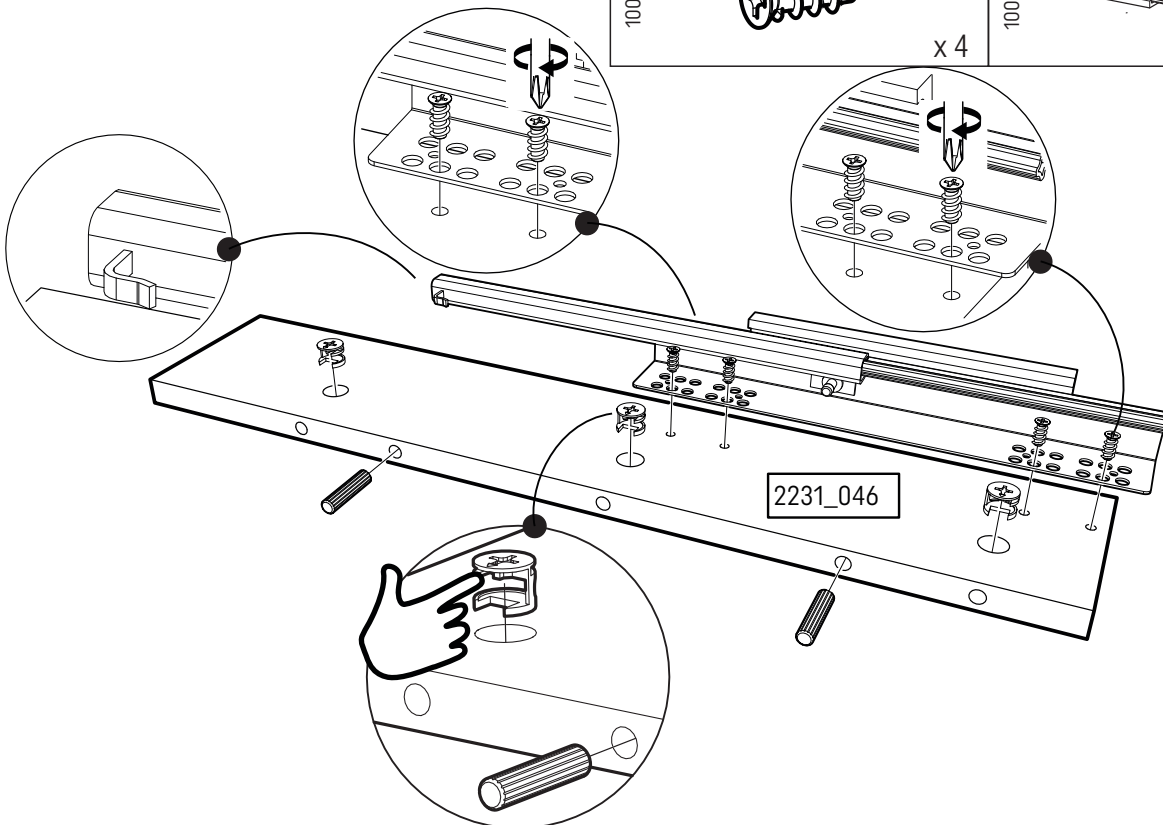
1

	1005857	 x 7	1005990	 x 6
			1006091	 x 3

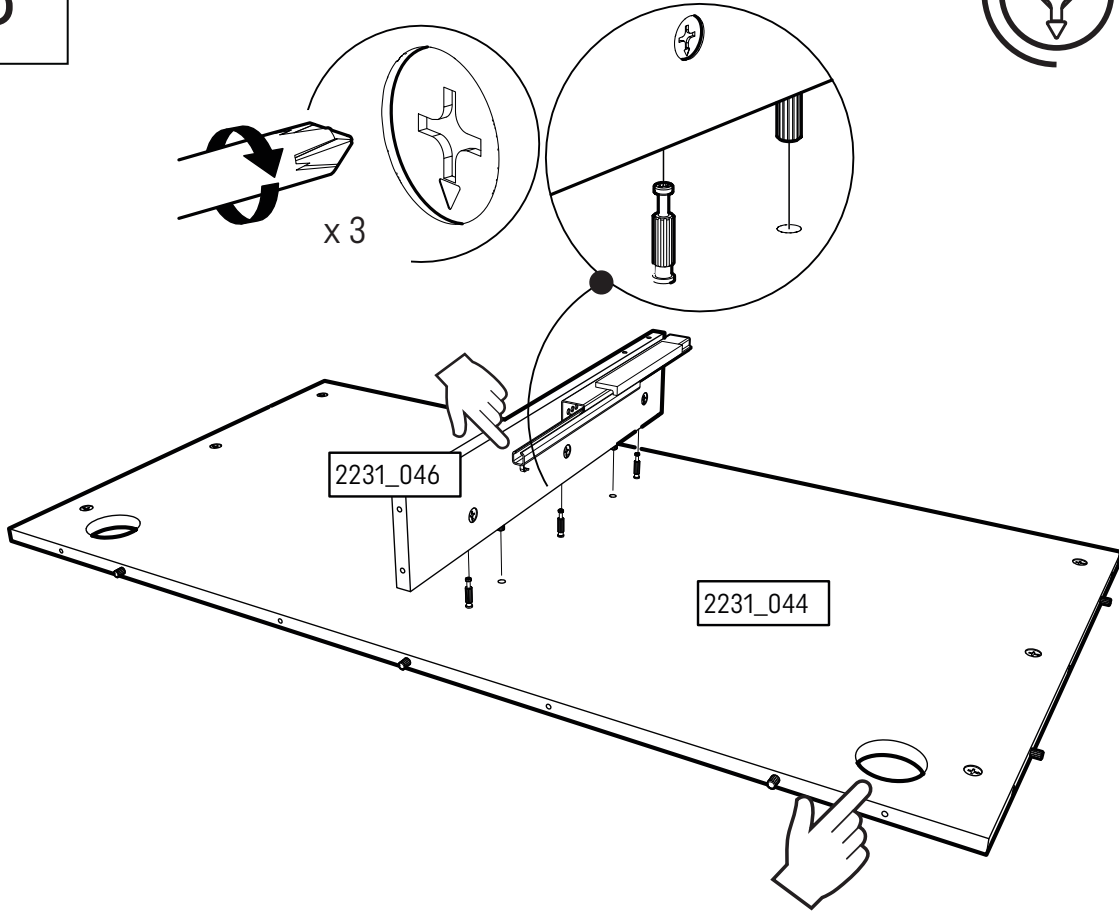
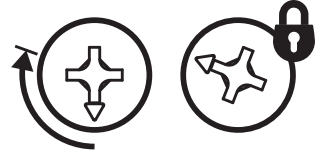


2

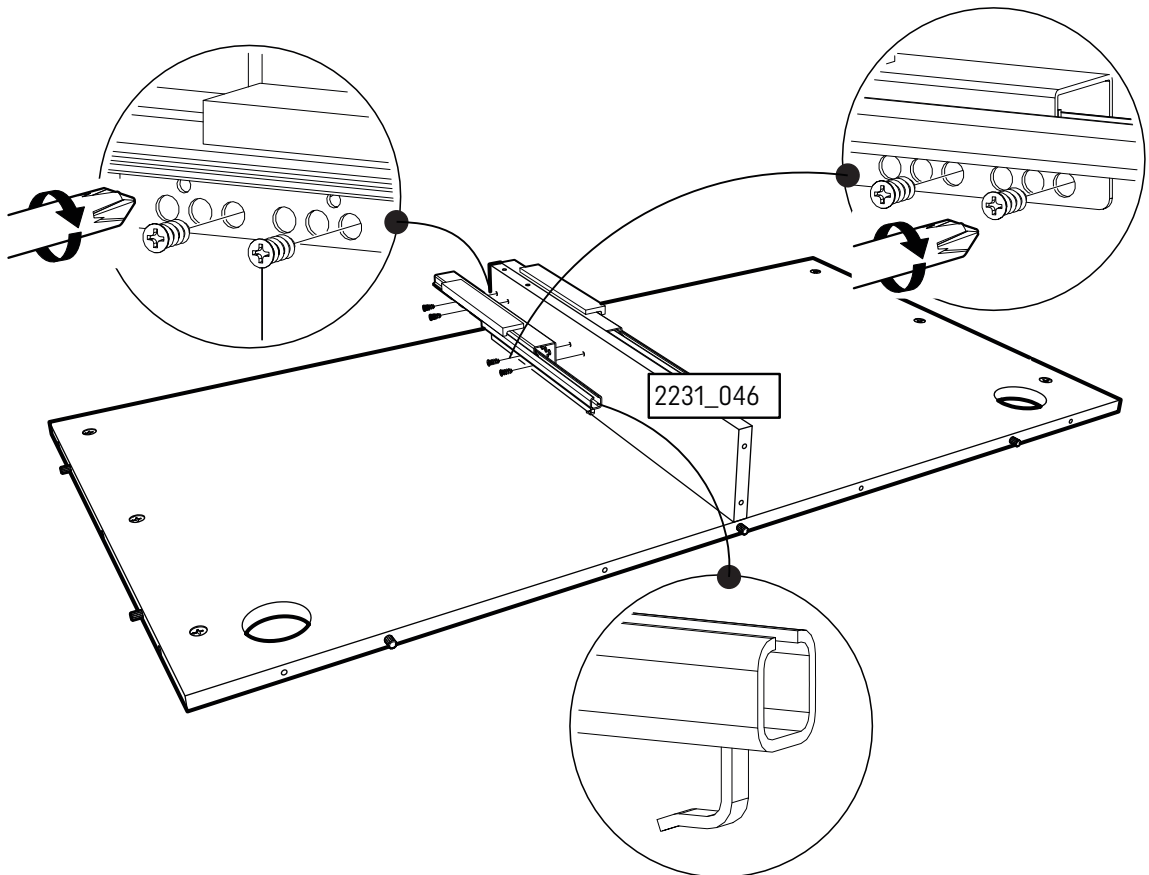
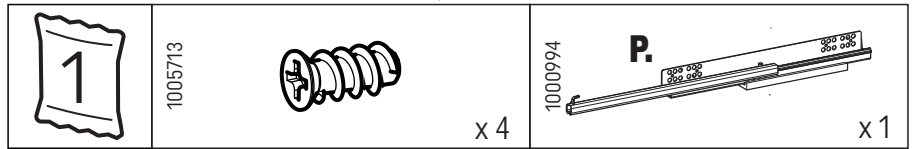
	1005857	 x 2	1005990	 x 3
	1005713	 x 4	1000994	 x 1




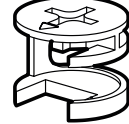
3

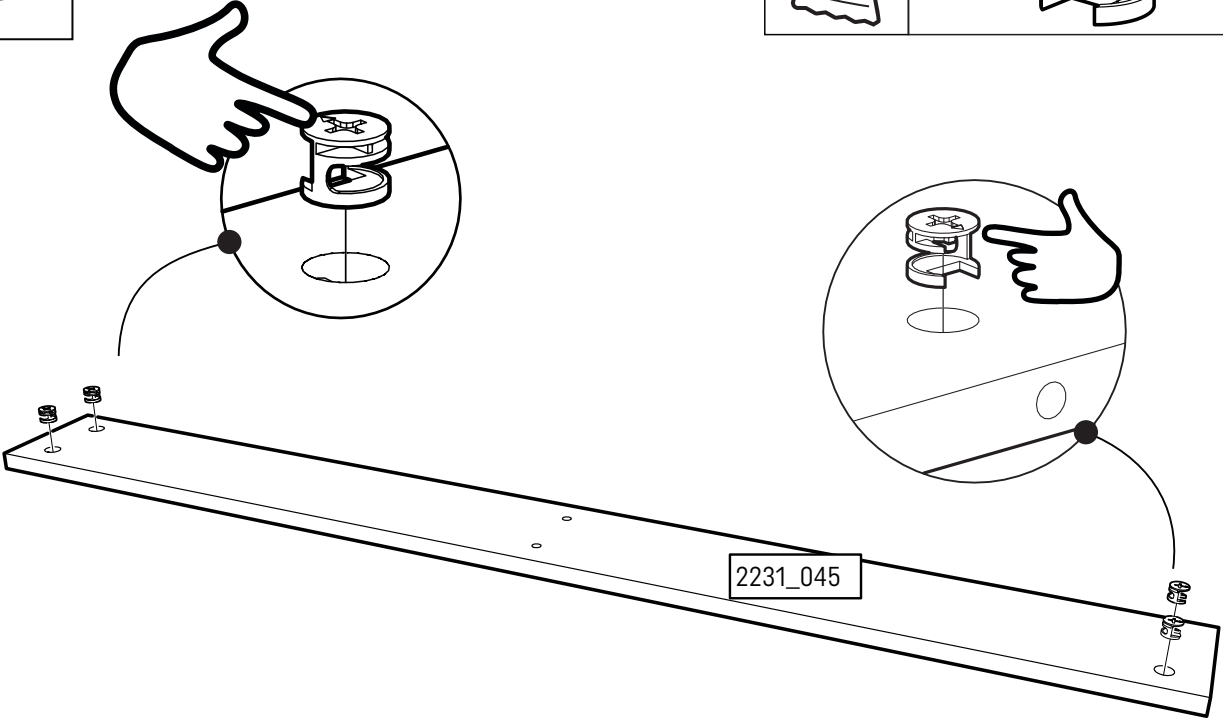


4


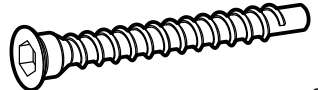


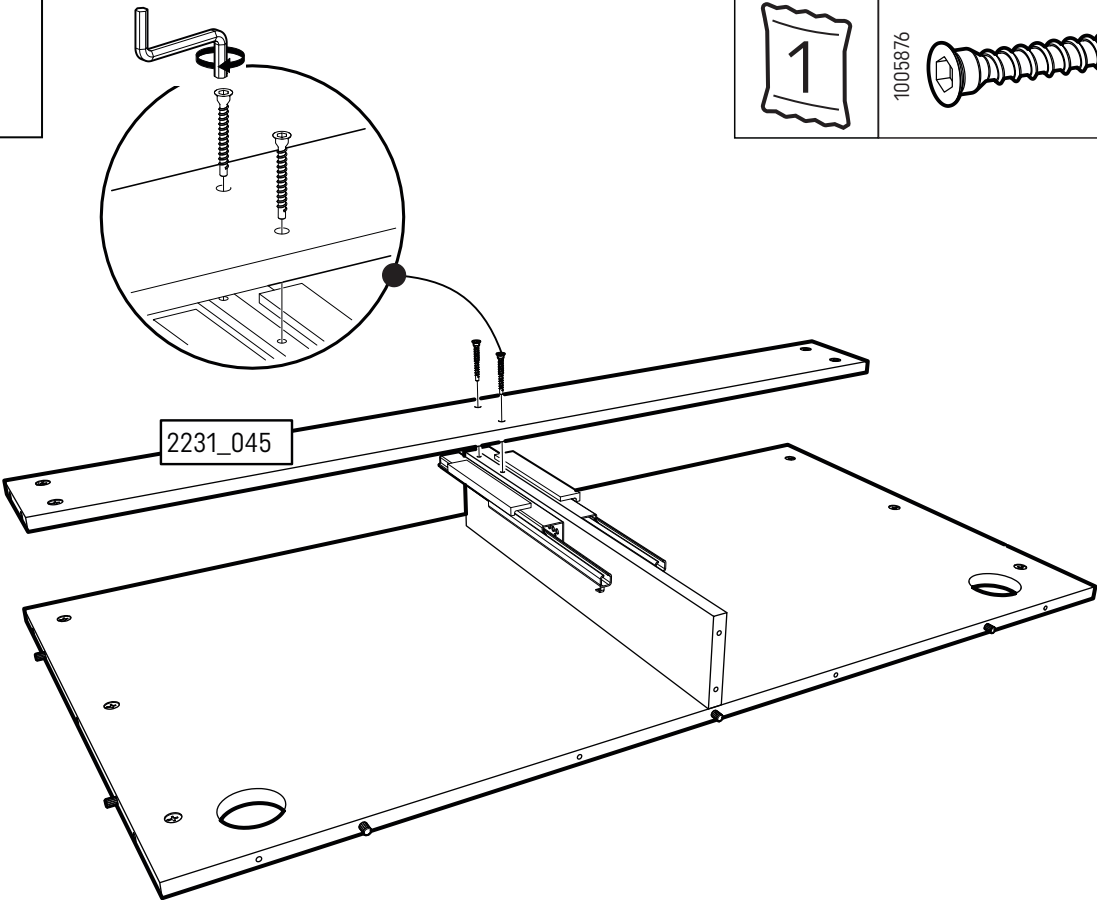
5

	1005990		x 4
--	---------	---	-----

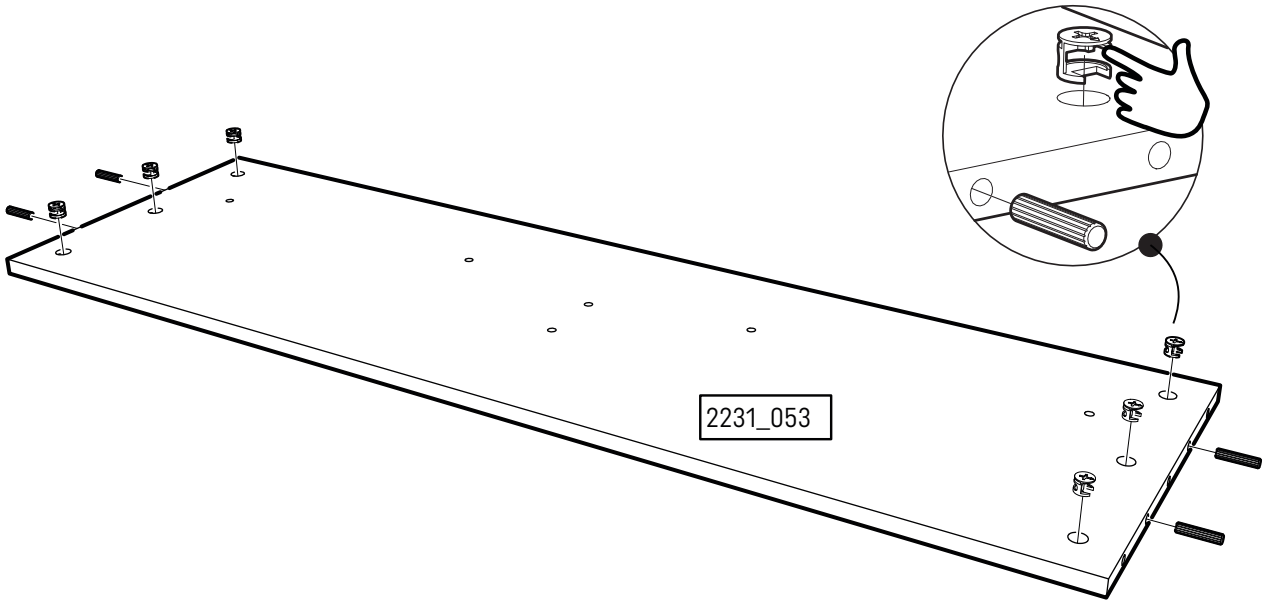
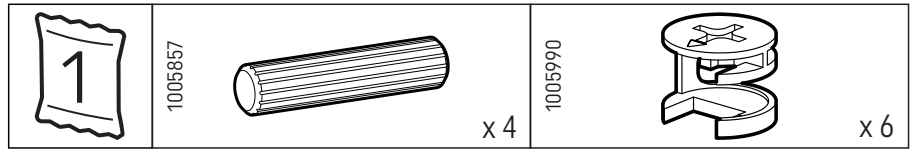


6

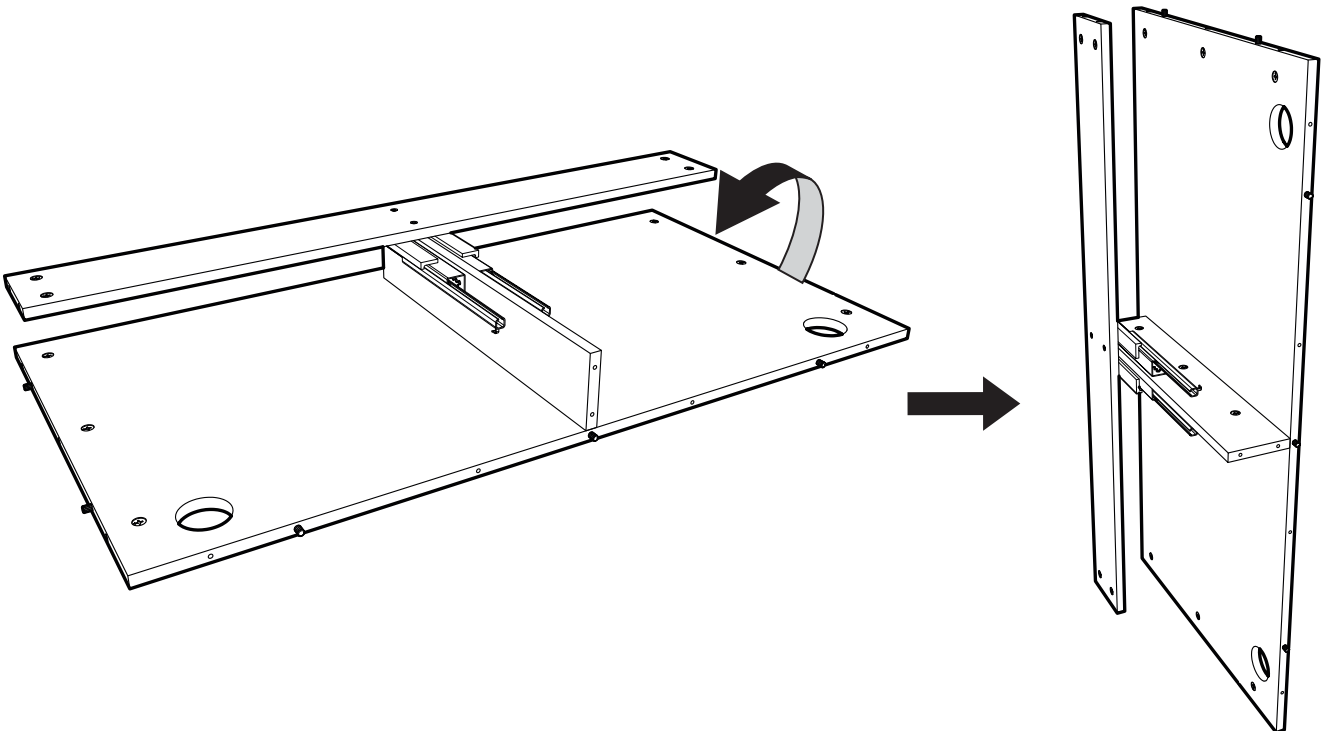
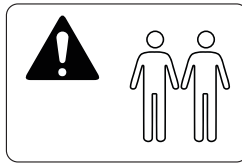
	1006876		x 2
--	---------	---	-----



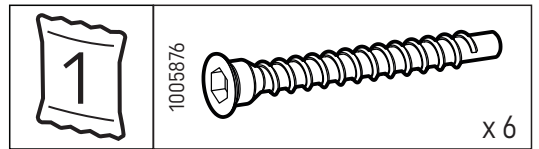
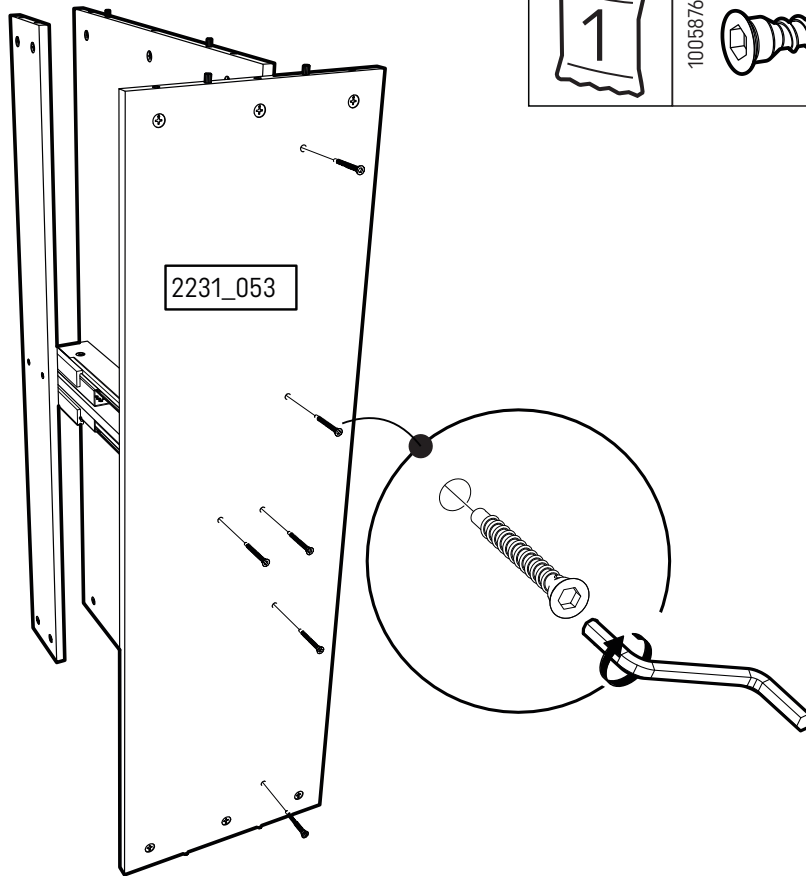
7



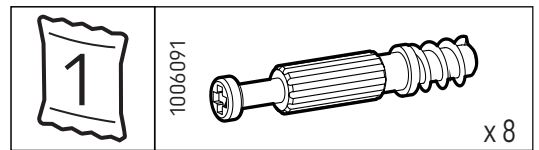
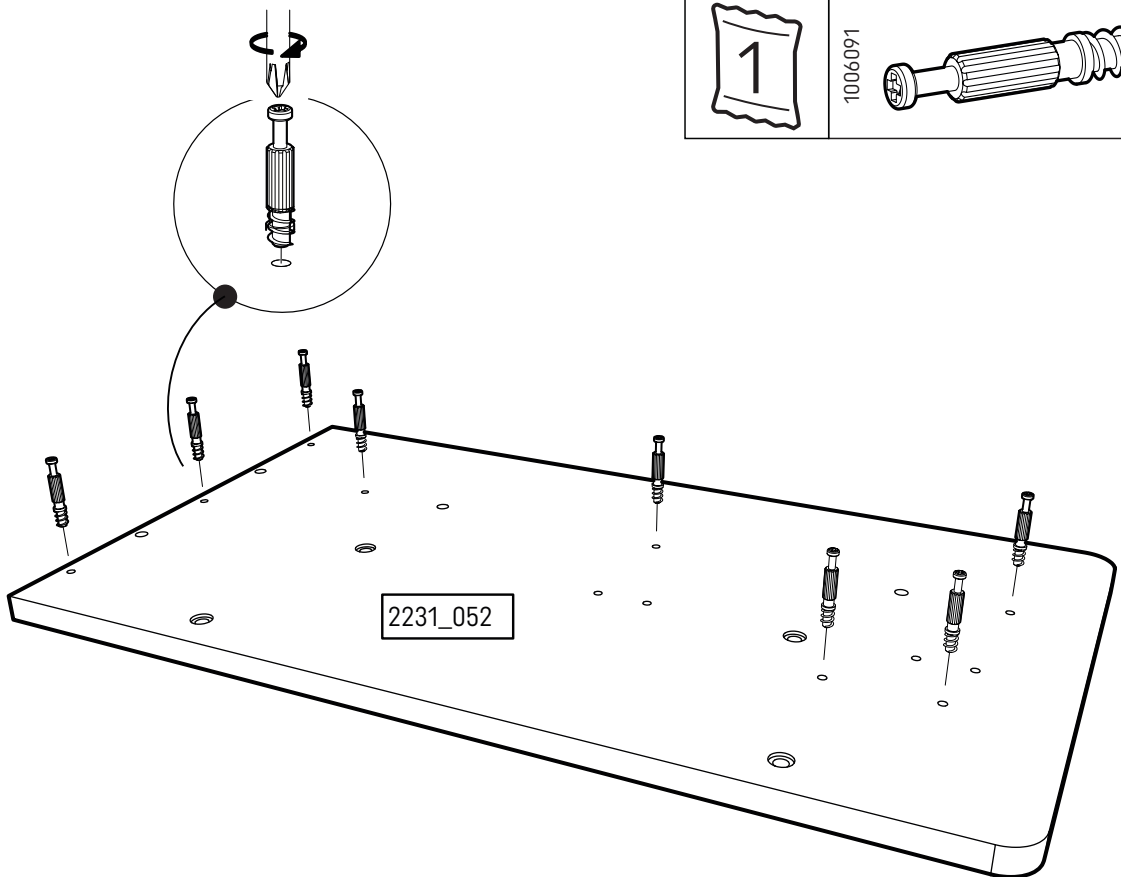
8



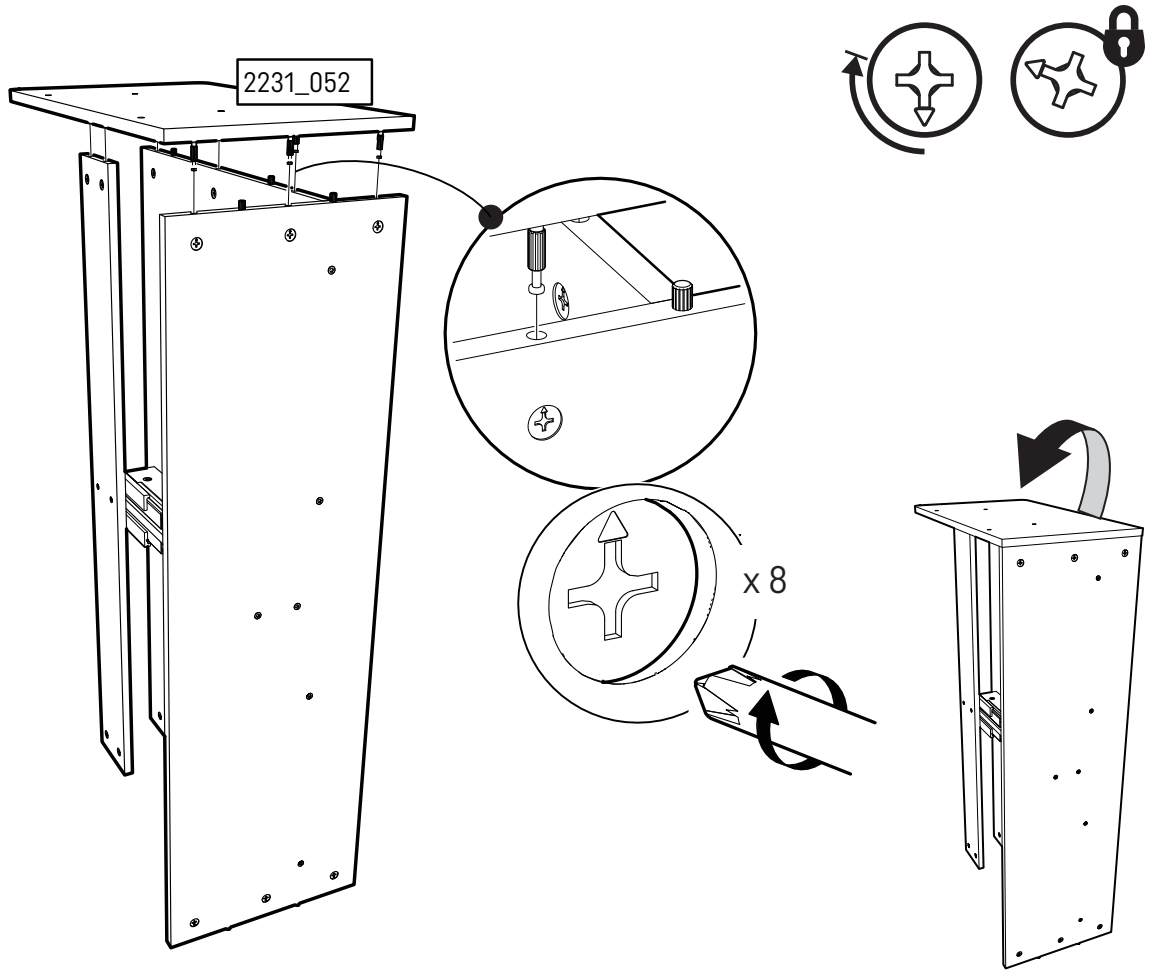
9



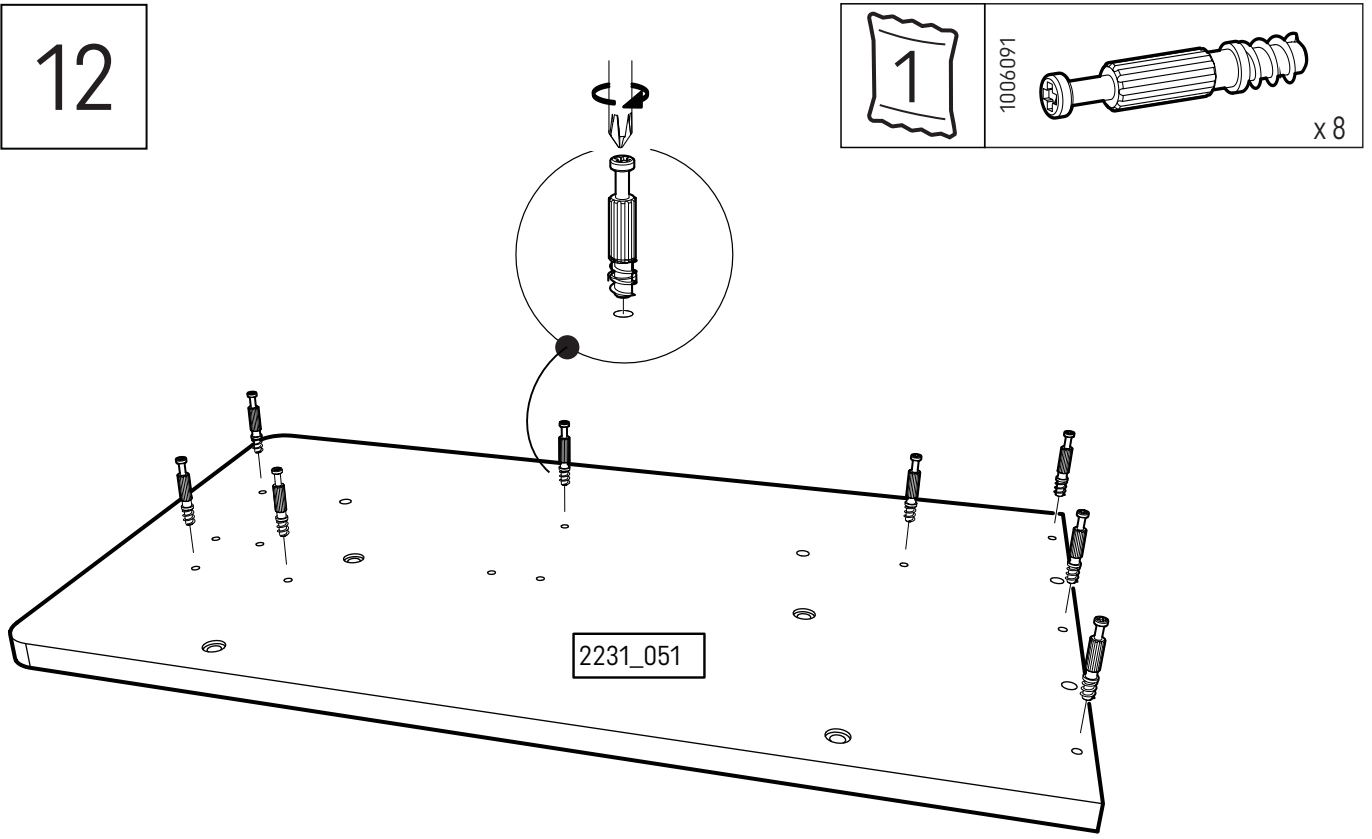
10



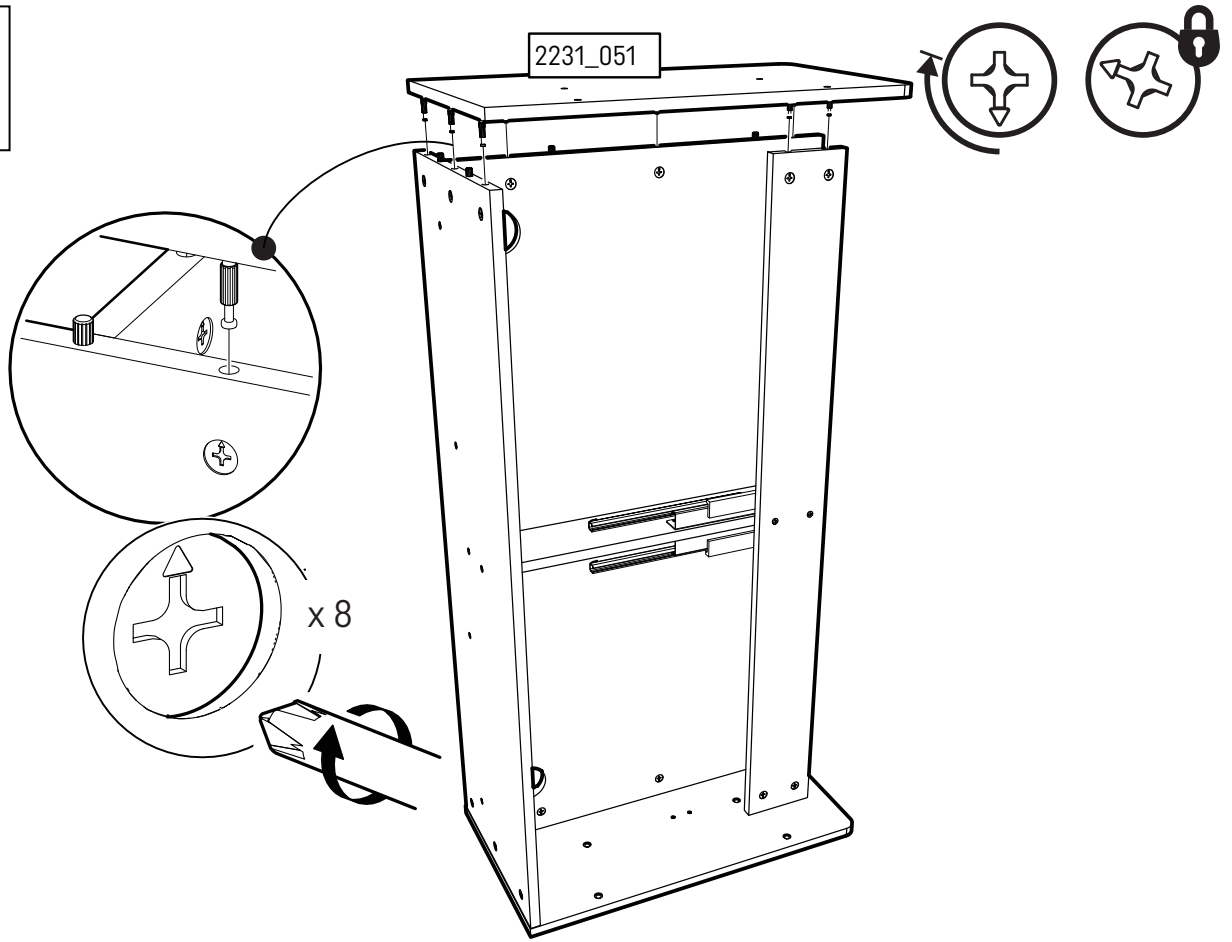
11



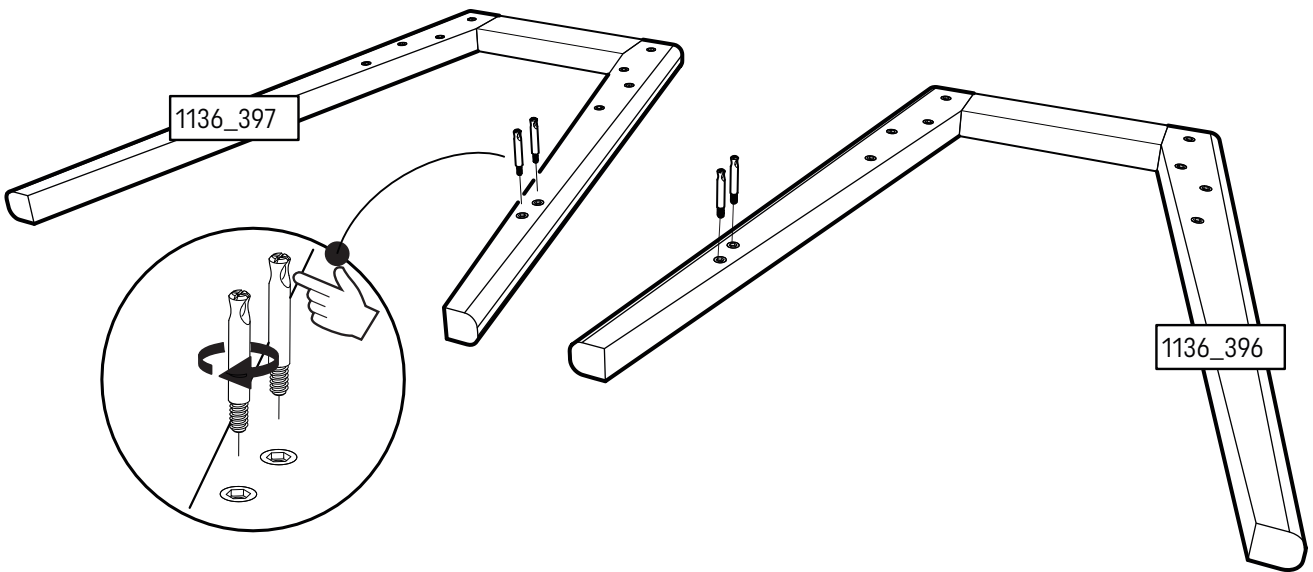
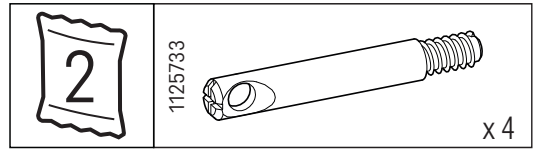
12



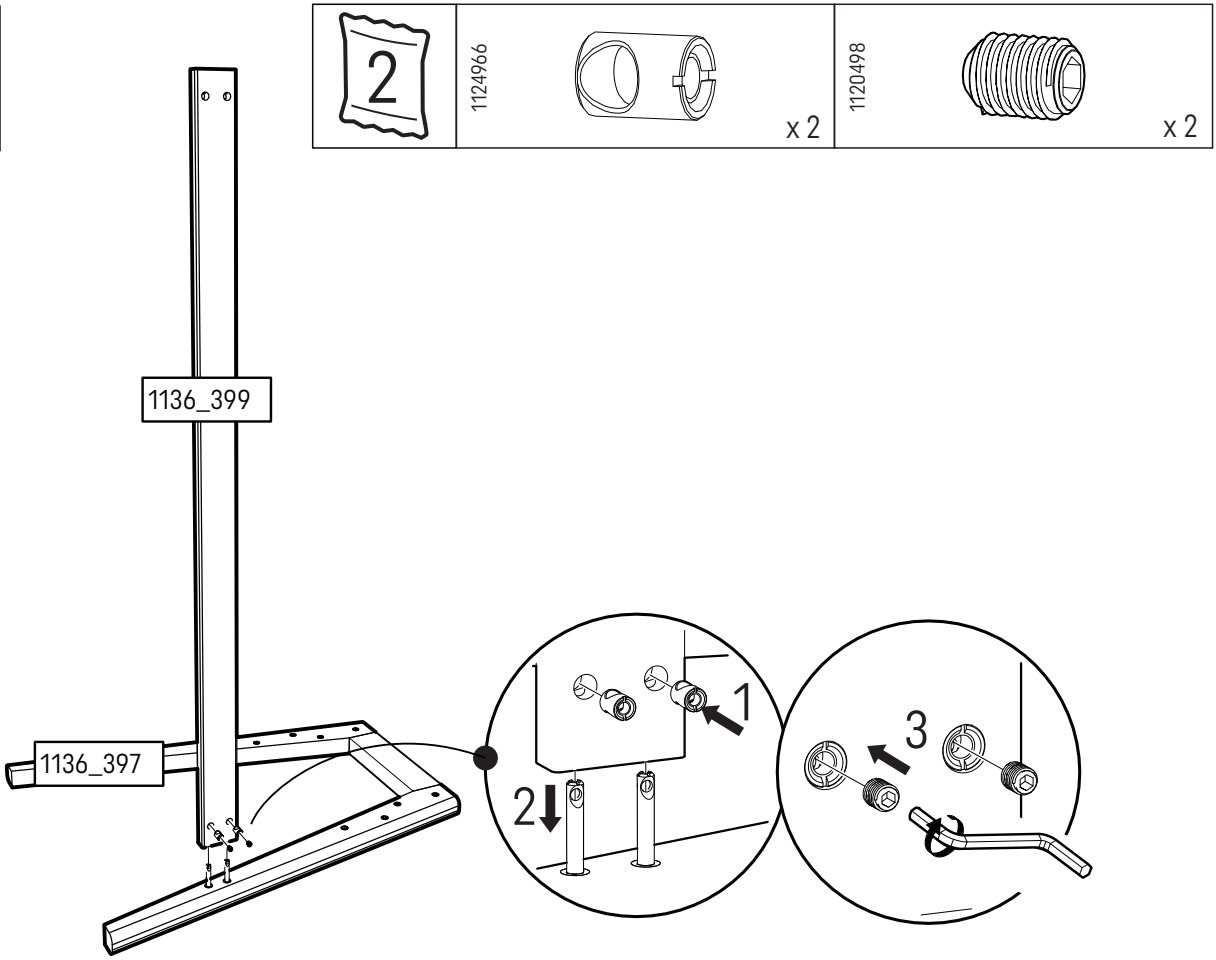
13



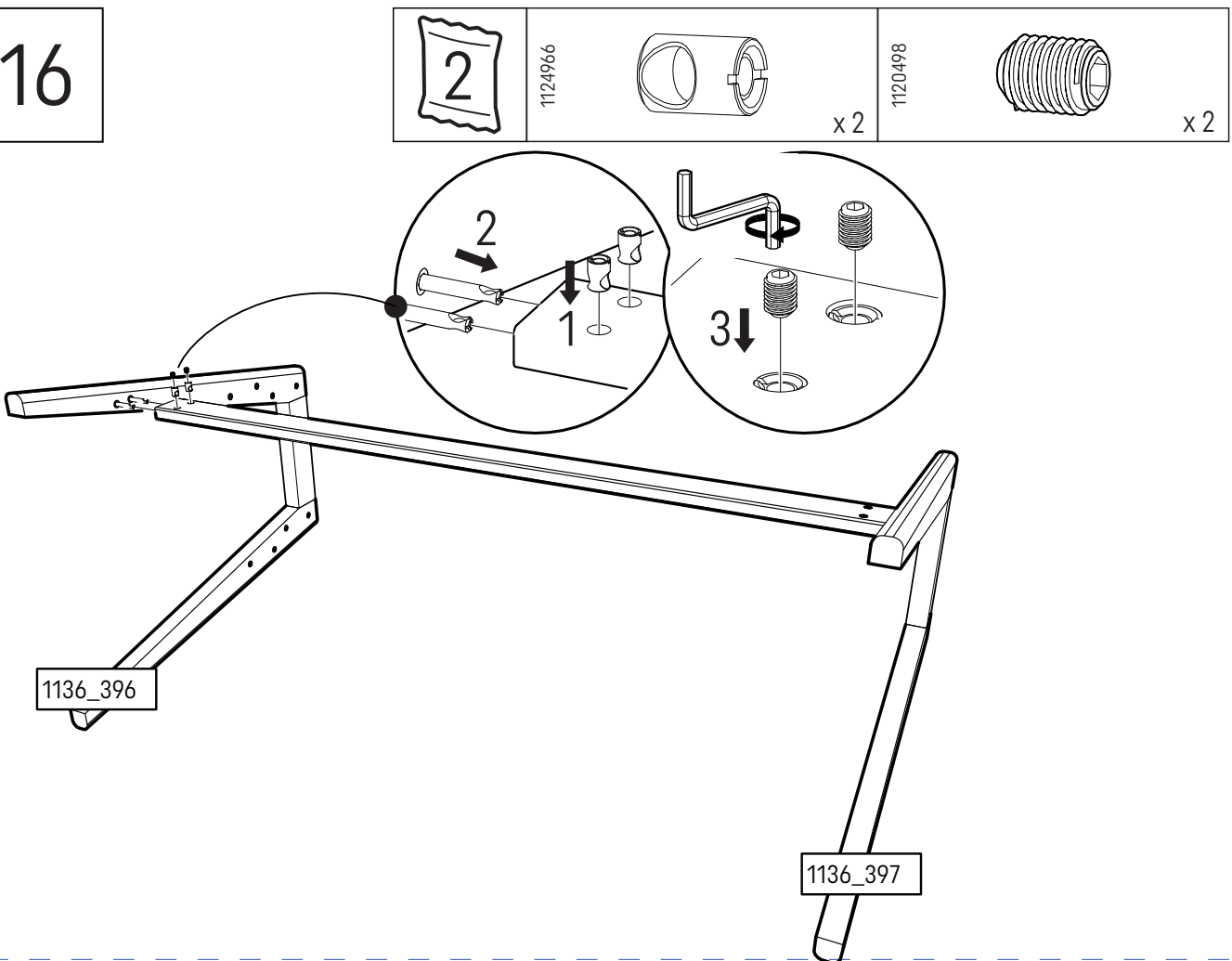
14




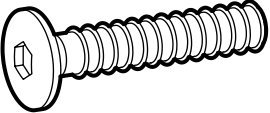

15

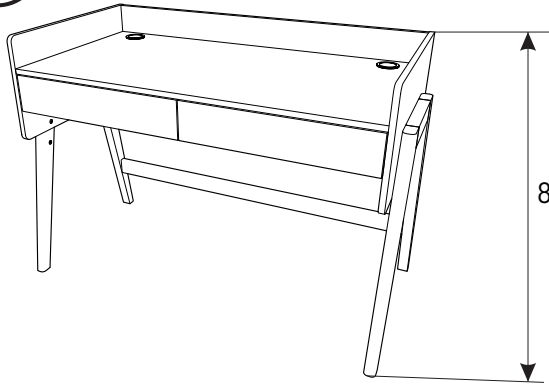


16

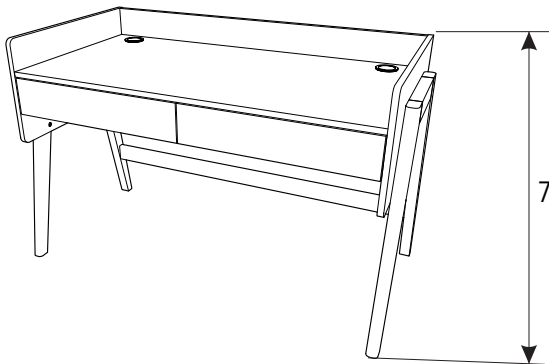
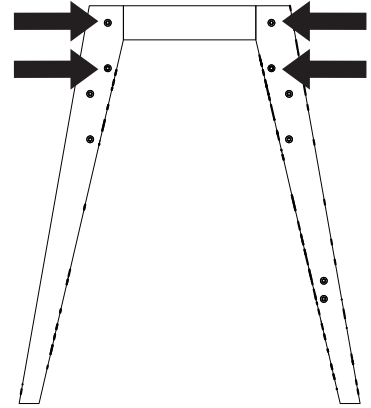


17

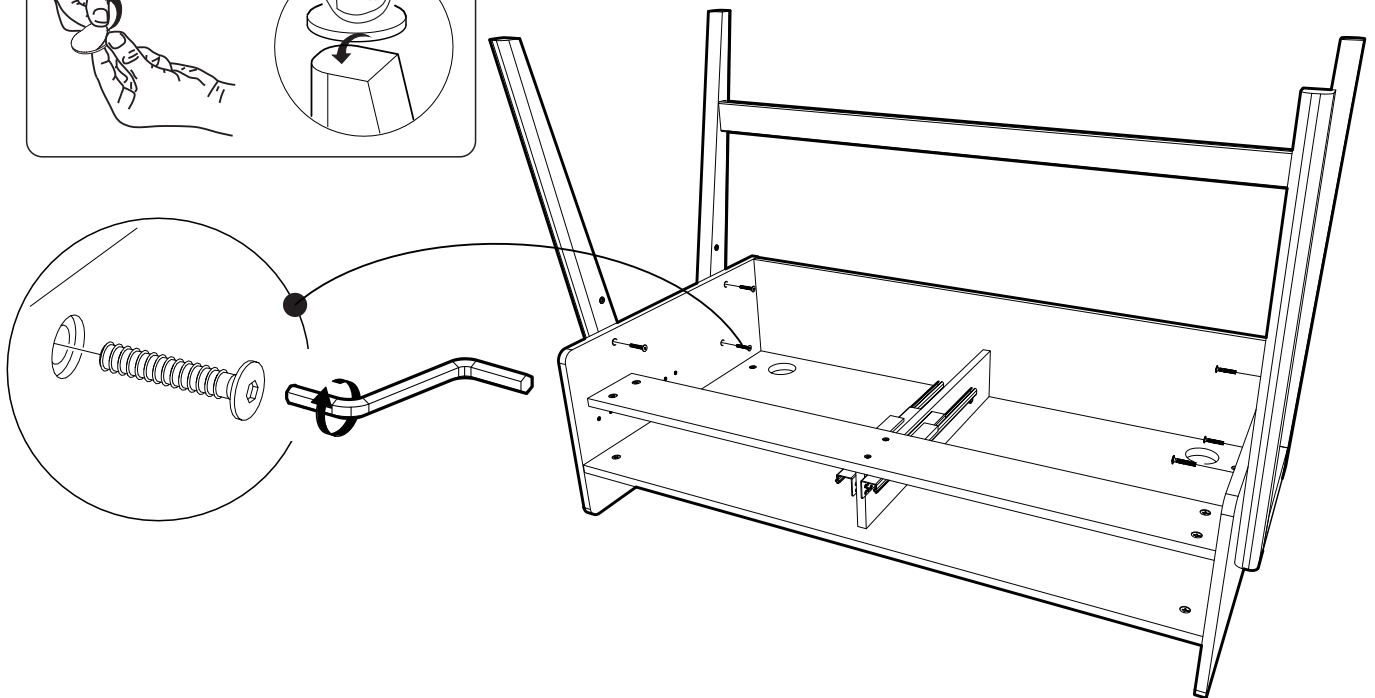
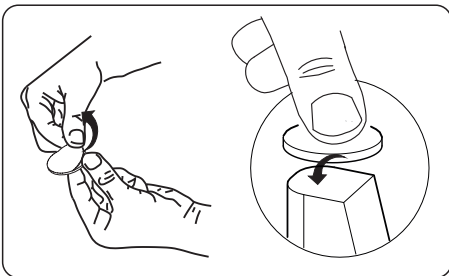
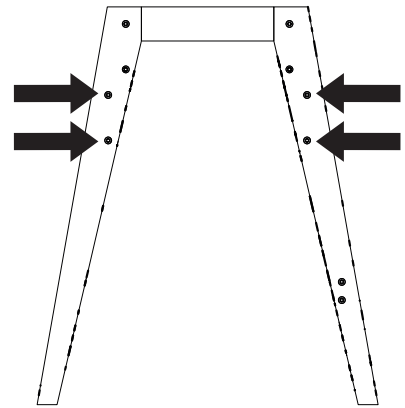
 <p>2</p>	<p>1005740</p>  <p>x 8</p>	<p>1136475</p>  <p>x 4</p>
--	--	---



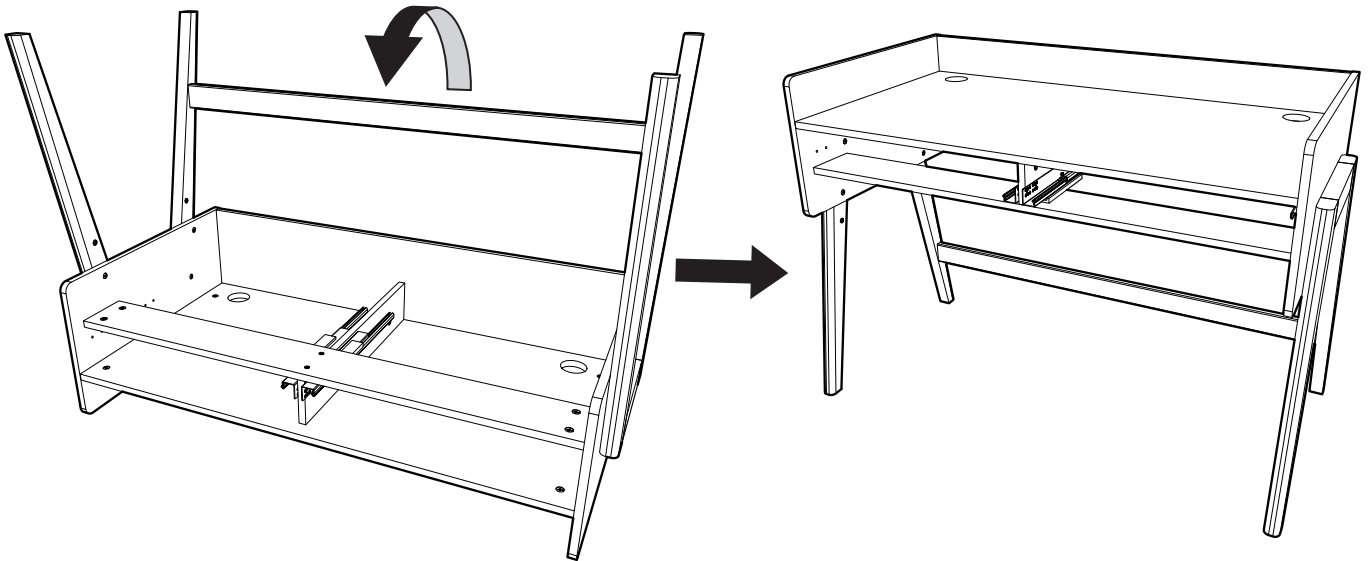
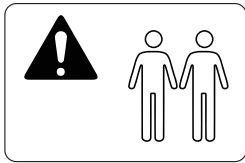
86 cm / 34"



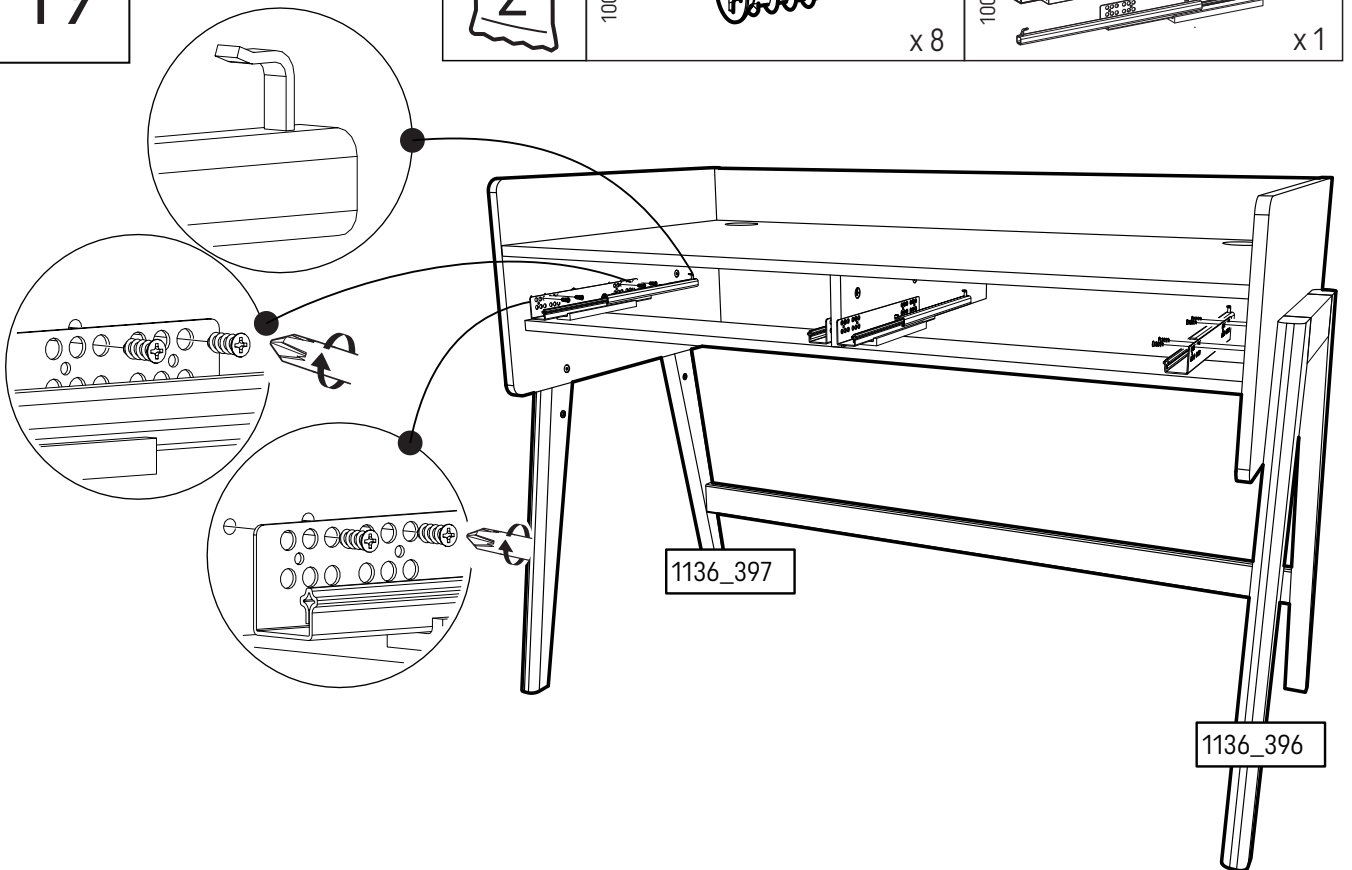
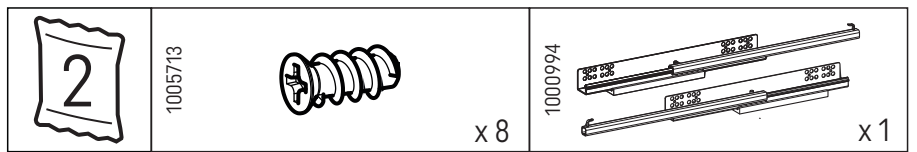
78 cm / 30 1/4"



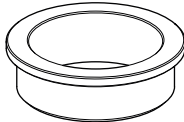

18

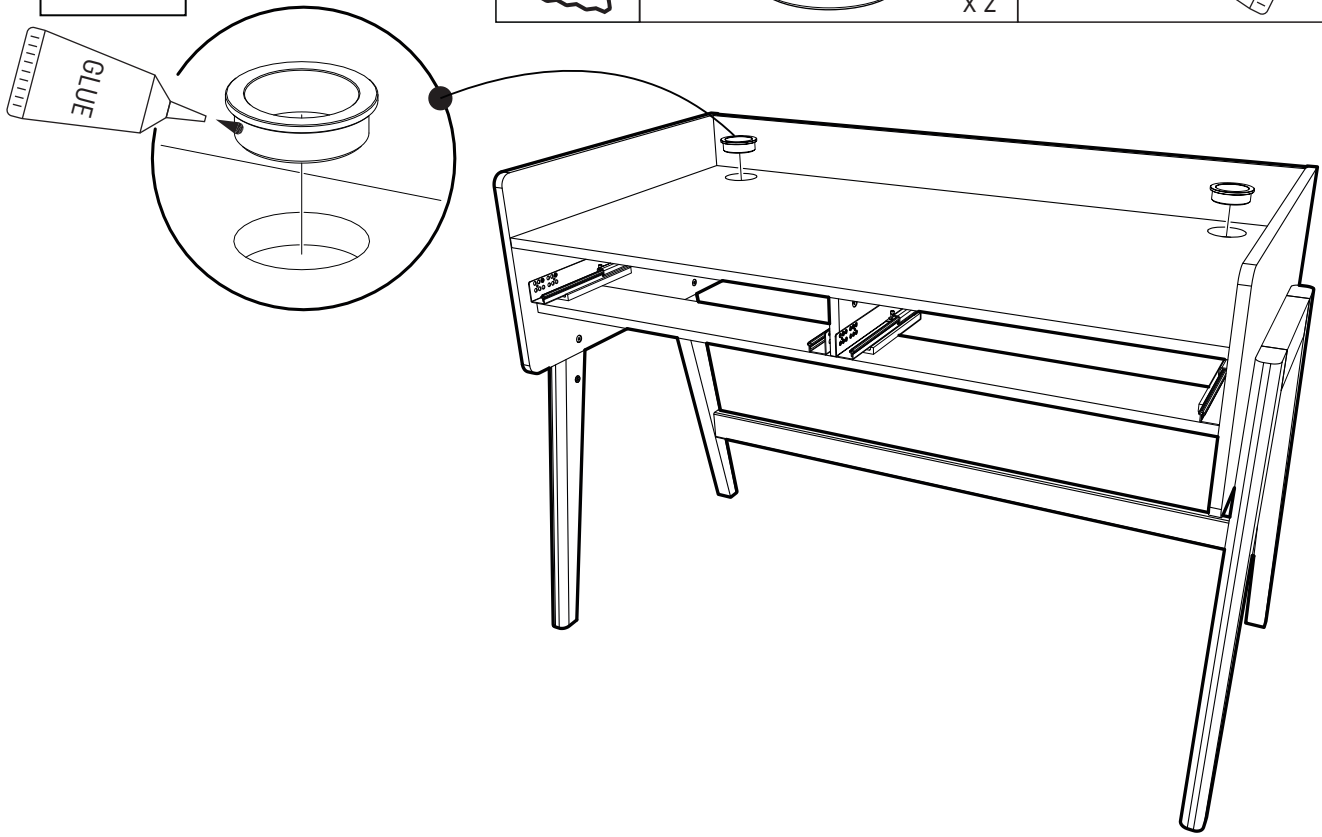


19

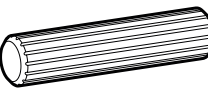
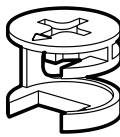


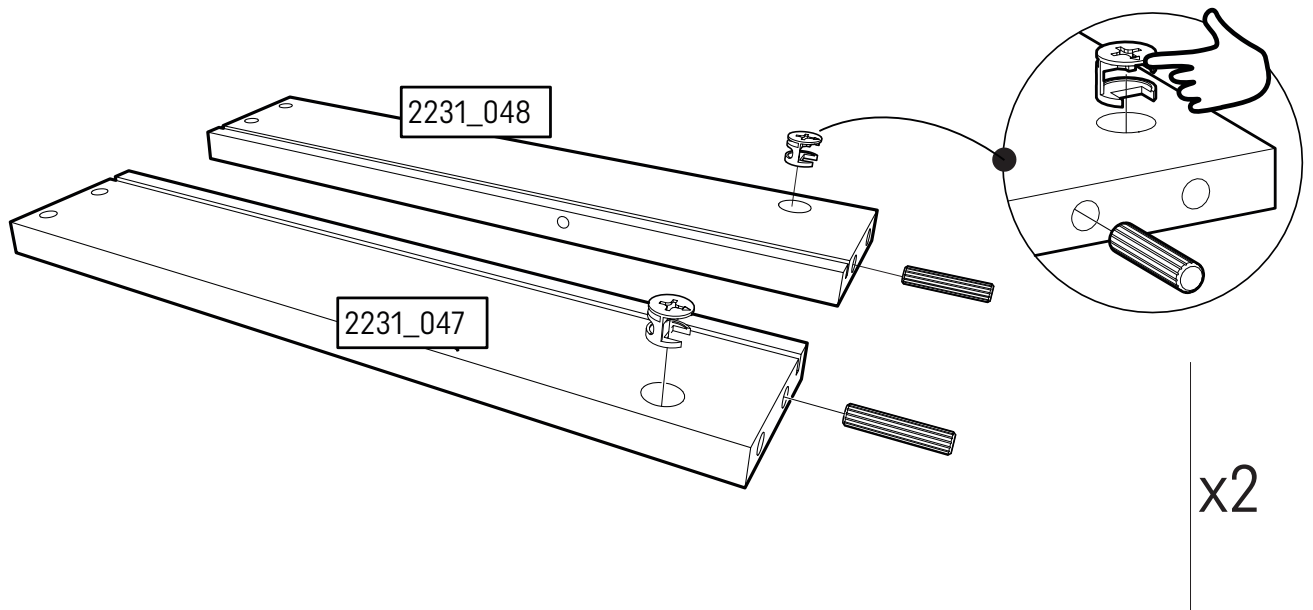
20

3	1113859		x 2	1000078		x 1
---	---------	---	-----	---------	---	-----



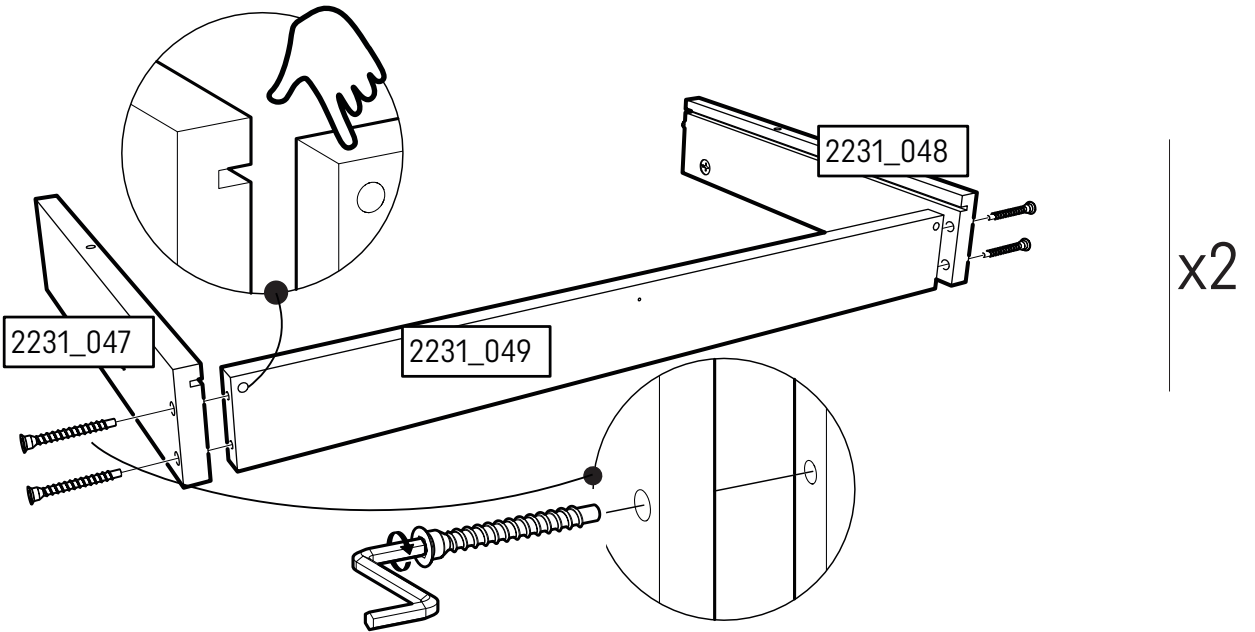
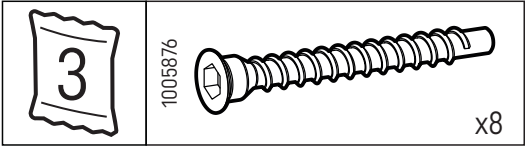
21

3	1005857		x 4	1005990		x 4
---	---------	--	-----	---------	---	-----

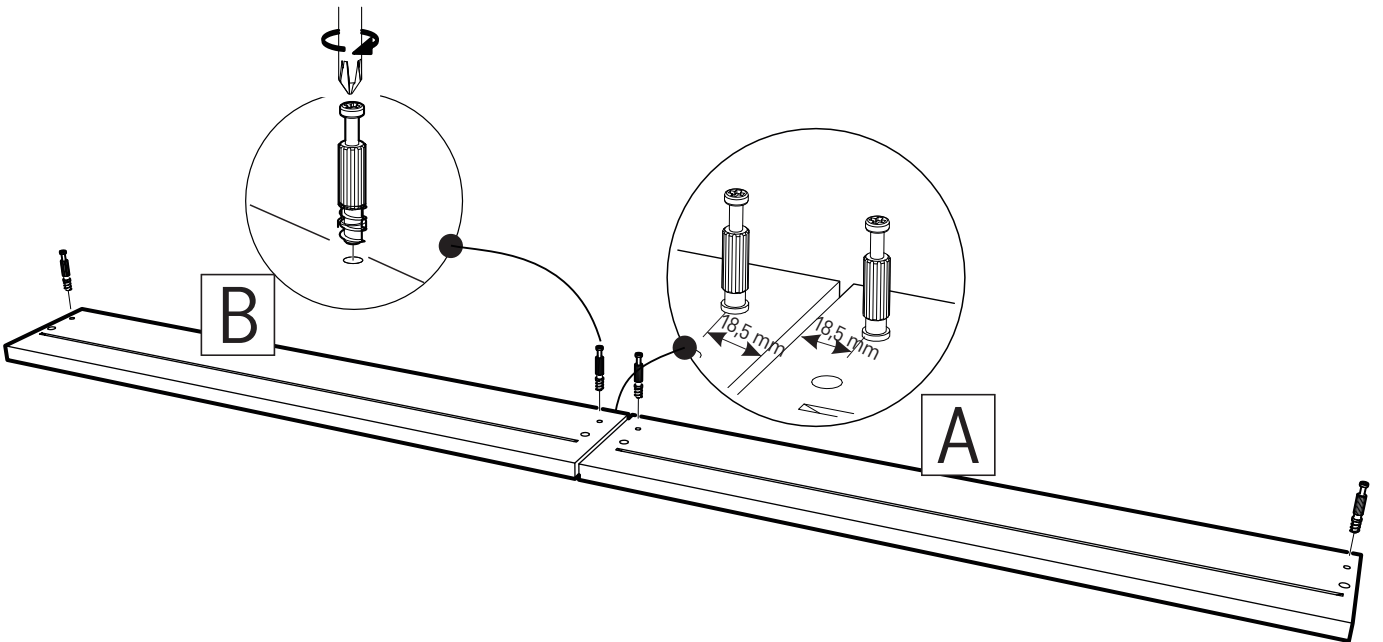
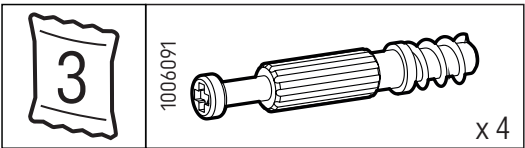


x2

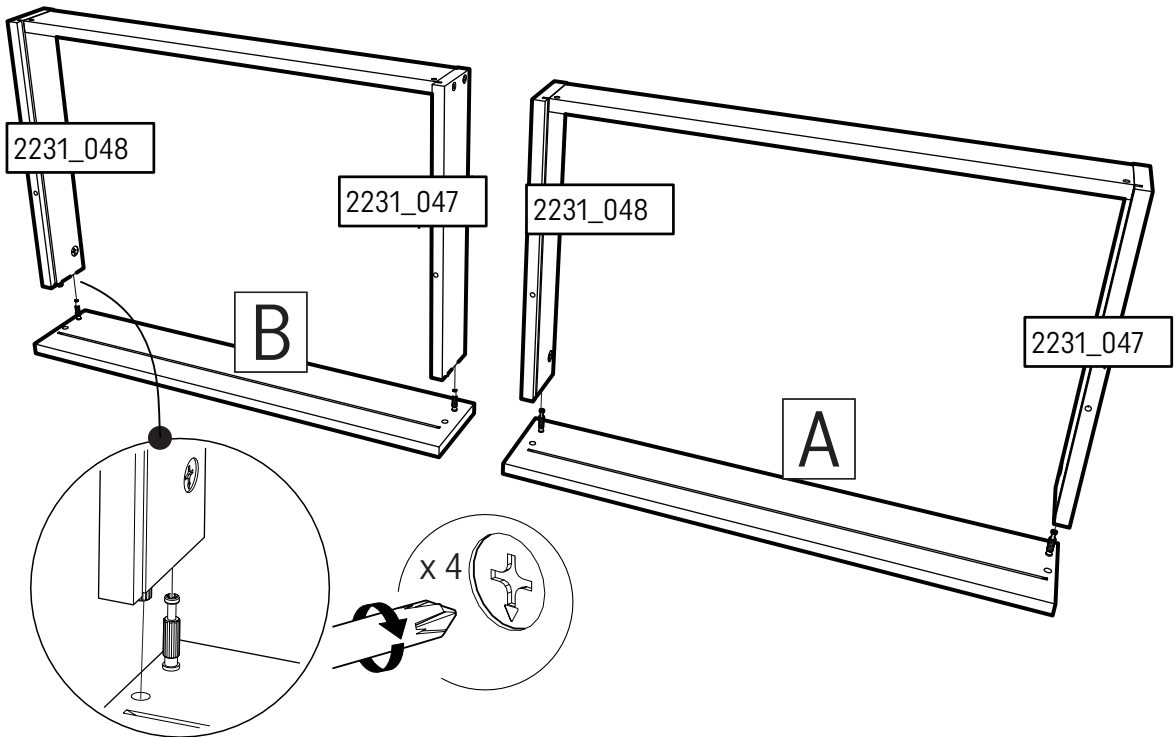
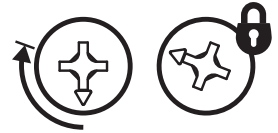
22



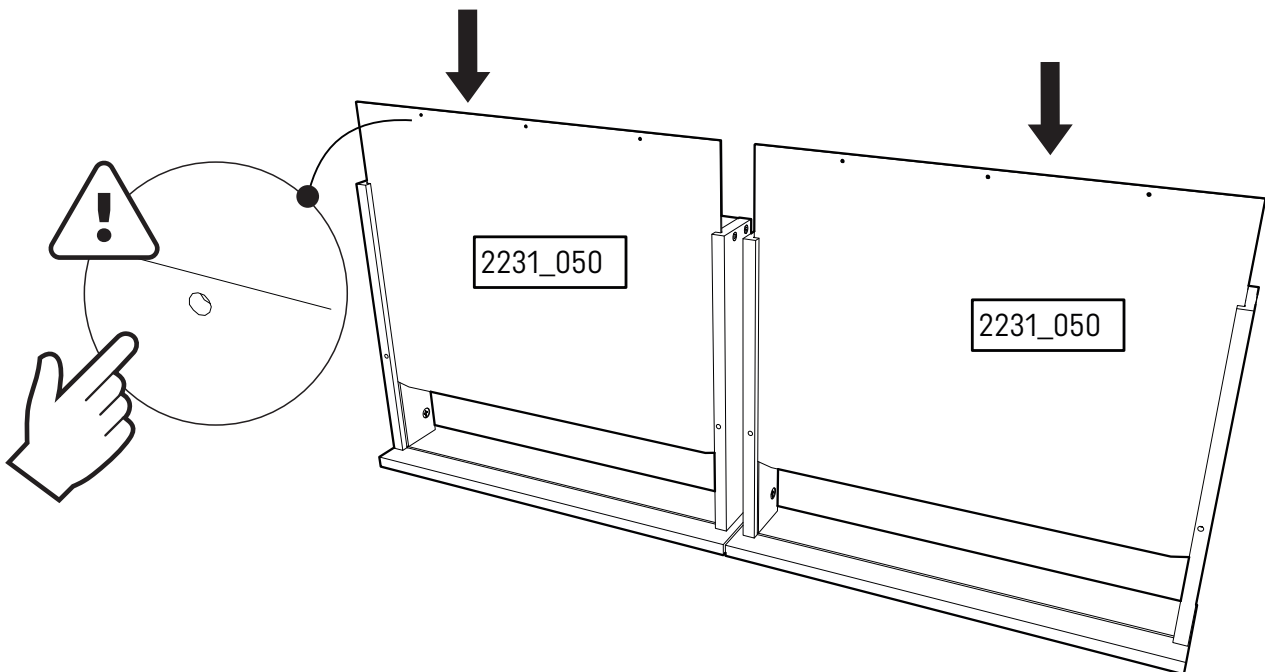
23




24

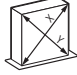

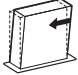
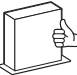


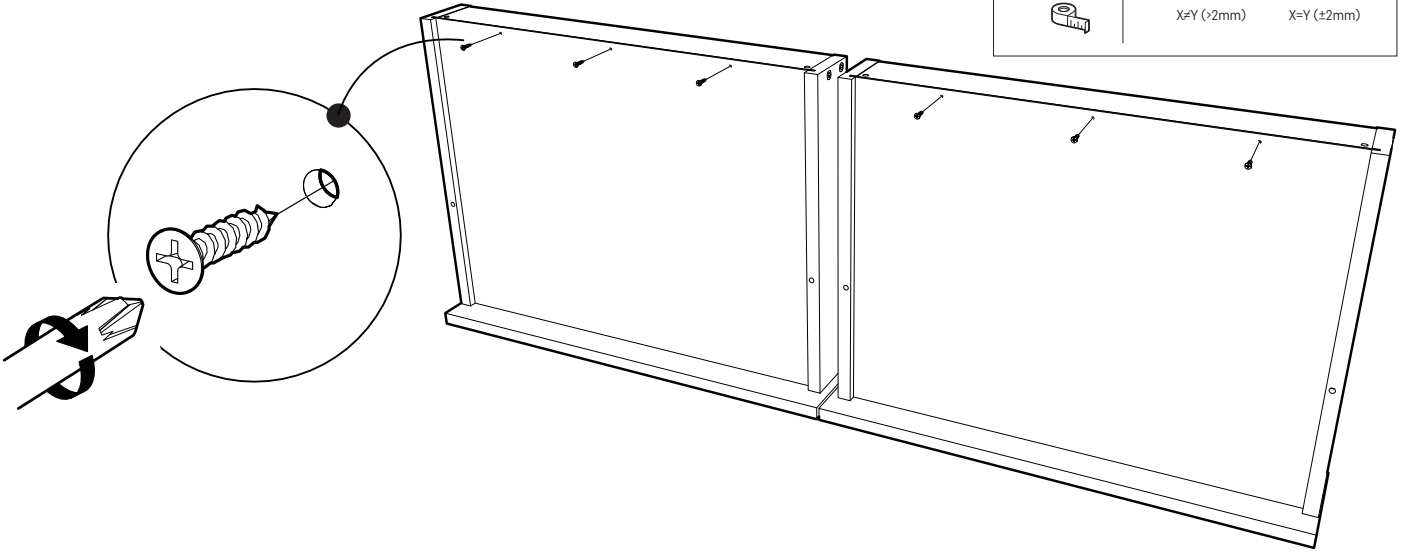
25



26

3	1006012	 x 6
---	---------	---

 	 $X \neq Y (>2mm)$	 $X = Y (\pm 2mm)$
--	--	--



27

