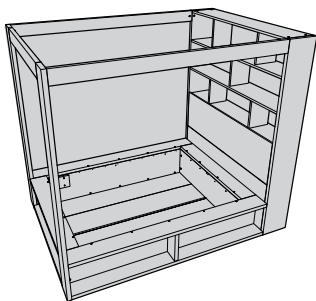


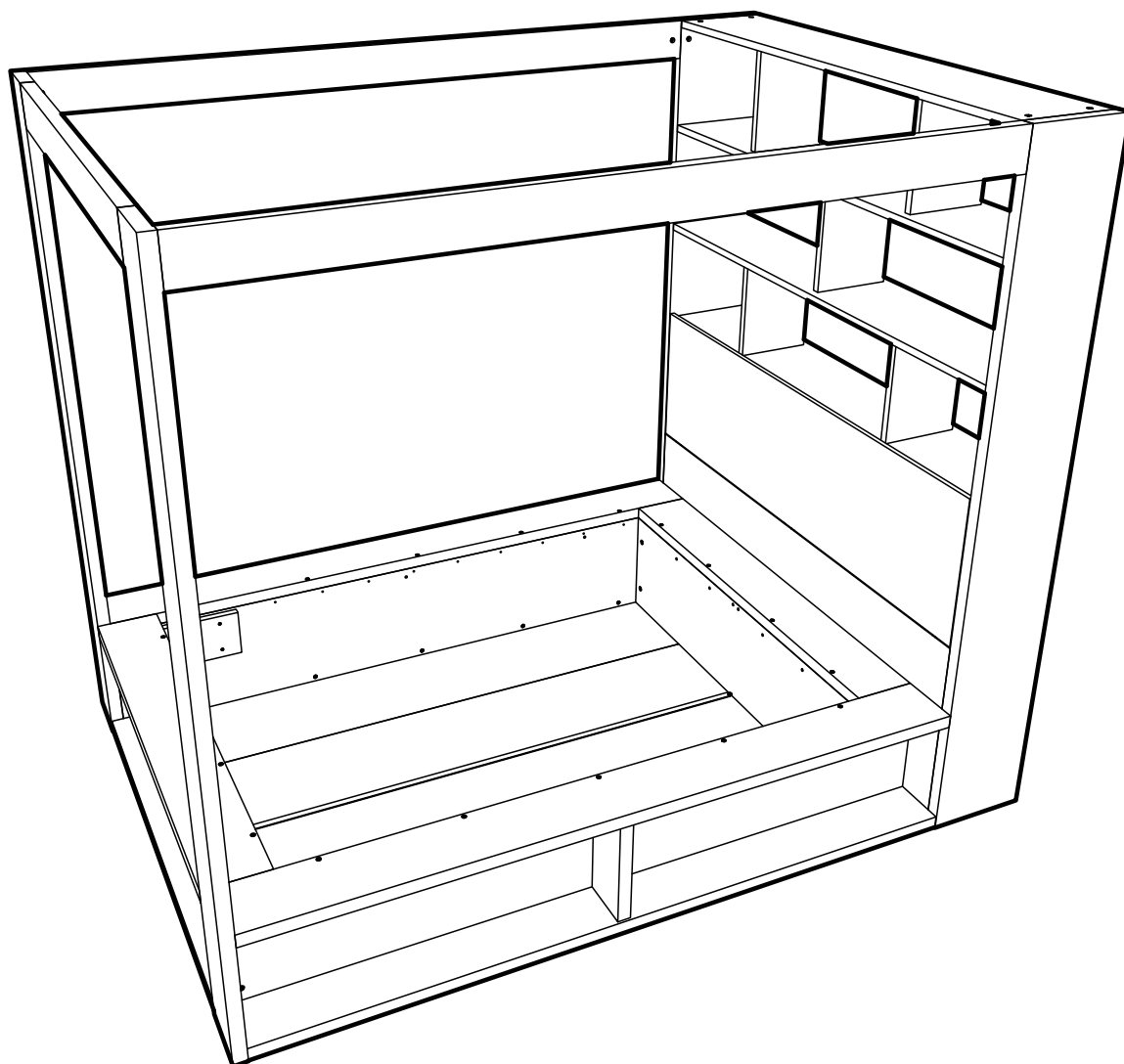
4YOU FRESH

VOX

4022210_001



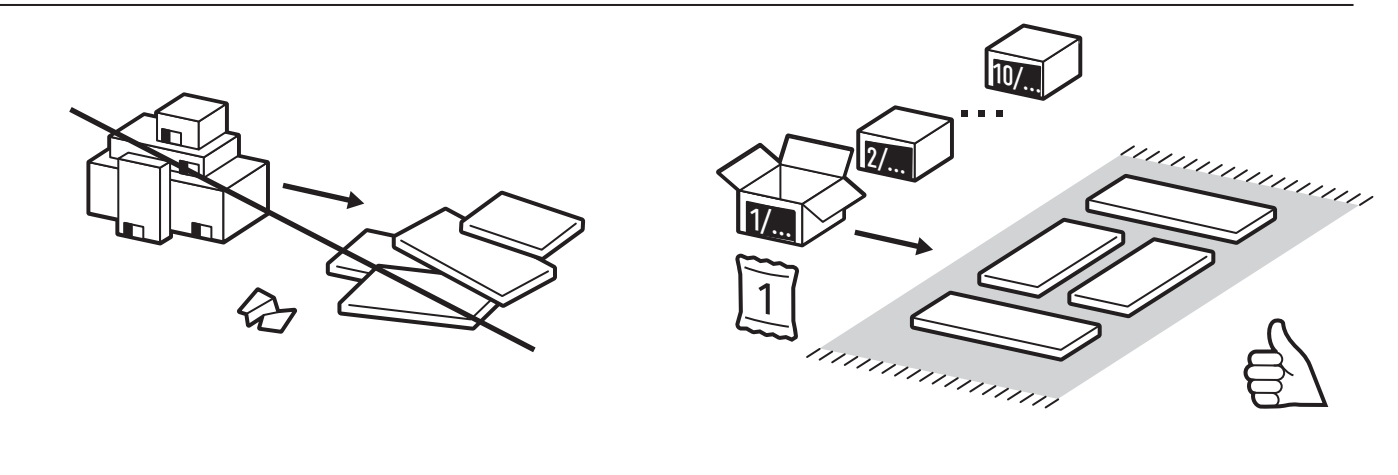
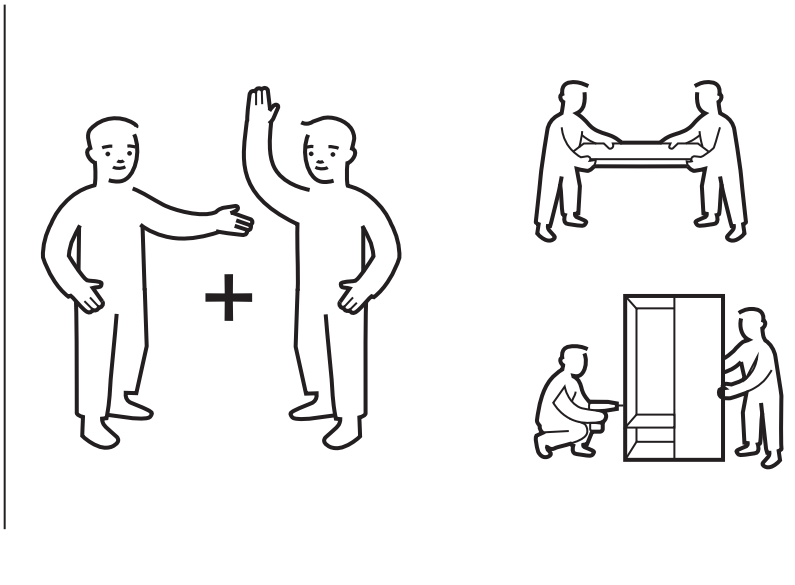
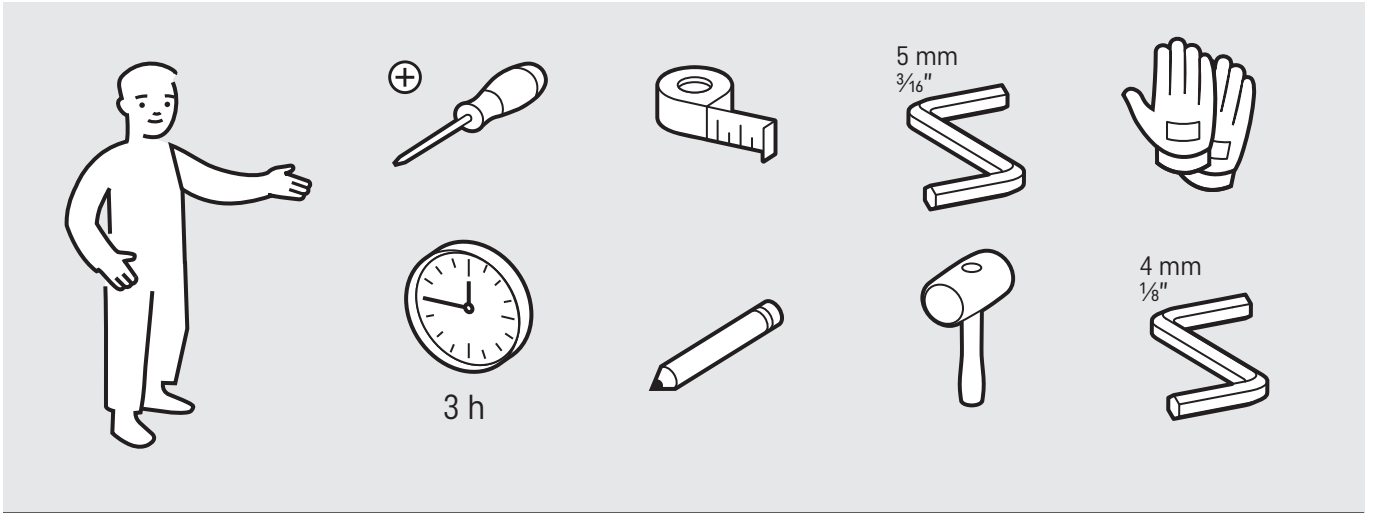
238x168x206 cm
94x66x81"

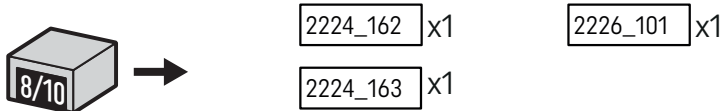
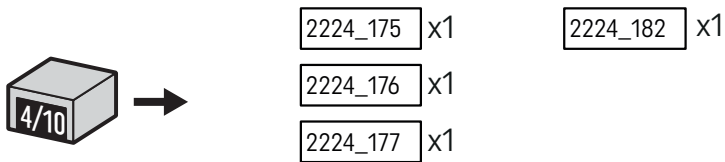
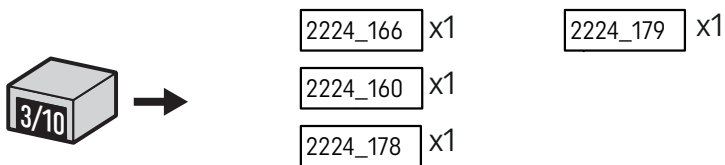
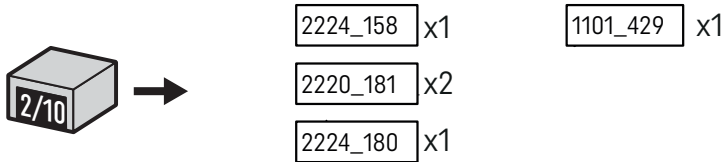
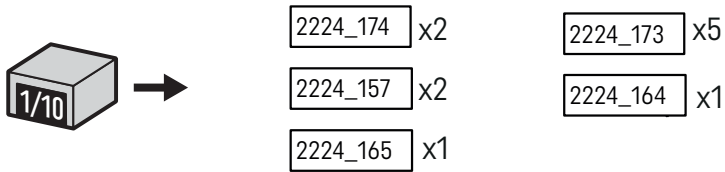
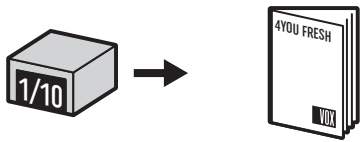


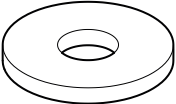

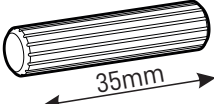
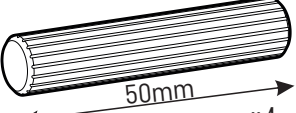
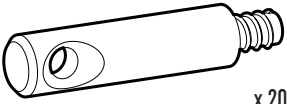

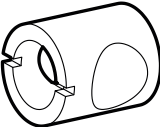
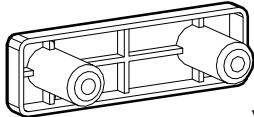
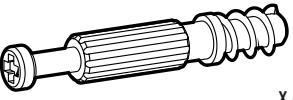
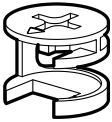
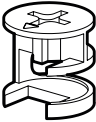

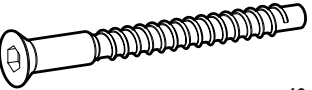
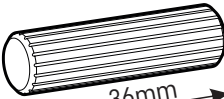
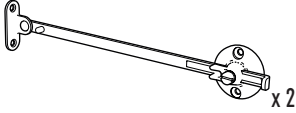
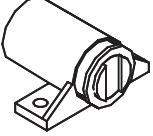

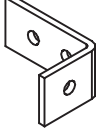
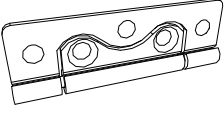



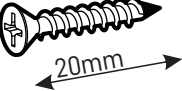
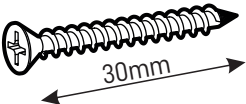
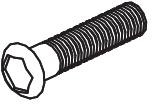
PL • vox.pl

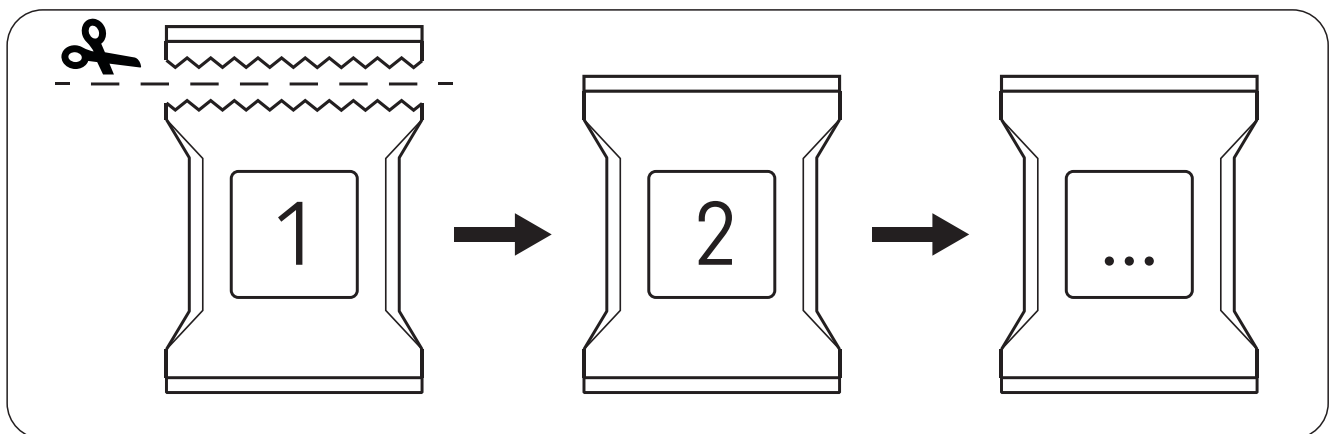
EU • voxfurniture.com

US • voelkelcorp.com

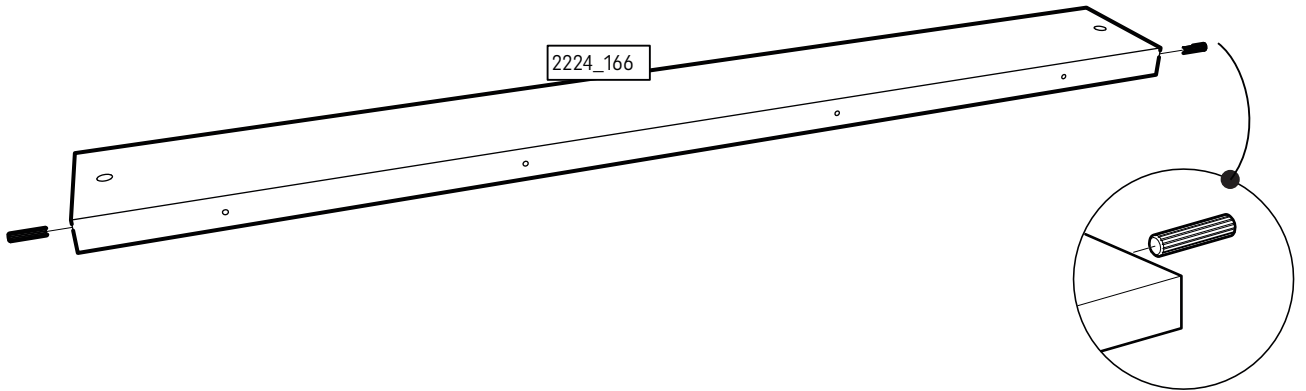
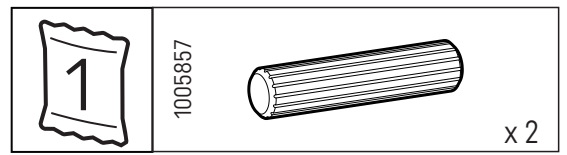




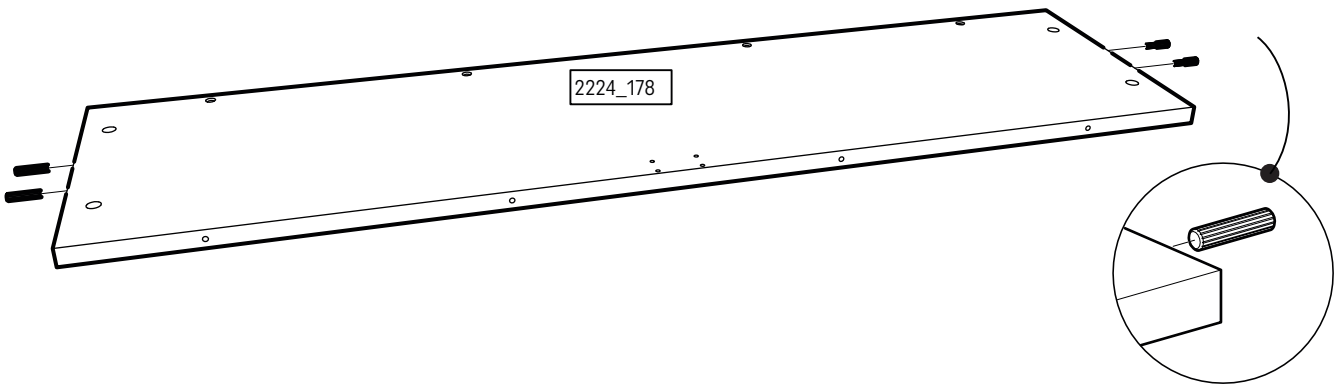
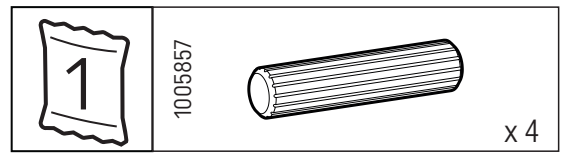
1006403  x 8	1000192  x 1	1005867  35mm x 81	1005669  50mm x 4
1107571  x 20	1109474  x 36	1109473  x 36	1000868  x 10
1006091  x 45	1005990  x 18	1005735  x 27	1005876  x 14
1005962  x 48	1005863  36mm x 12	1128380  x 2	1004817  x 2
1109475  x 8	1100795  x 2	1124582  x 3	1006012  16mm x 4
1005681  16mm x 8	1006024  35mm x 8	1008908  20mm x 42	1005368  30mm x 15
1005395  x 8			



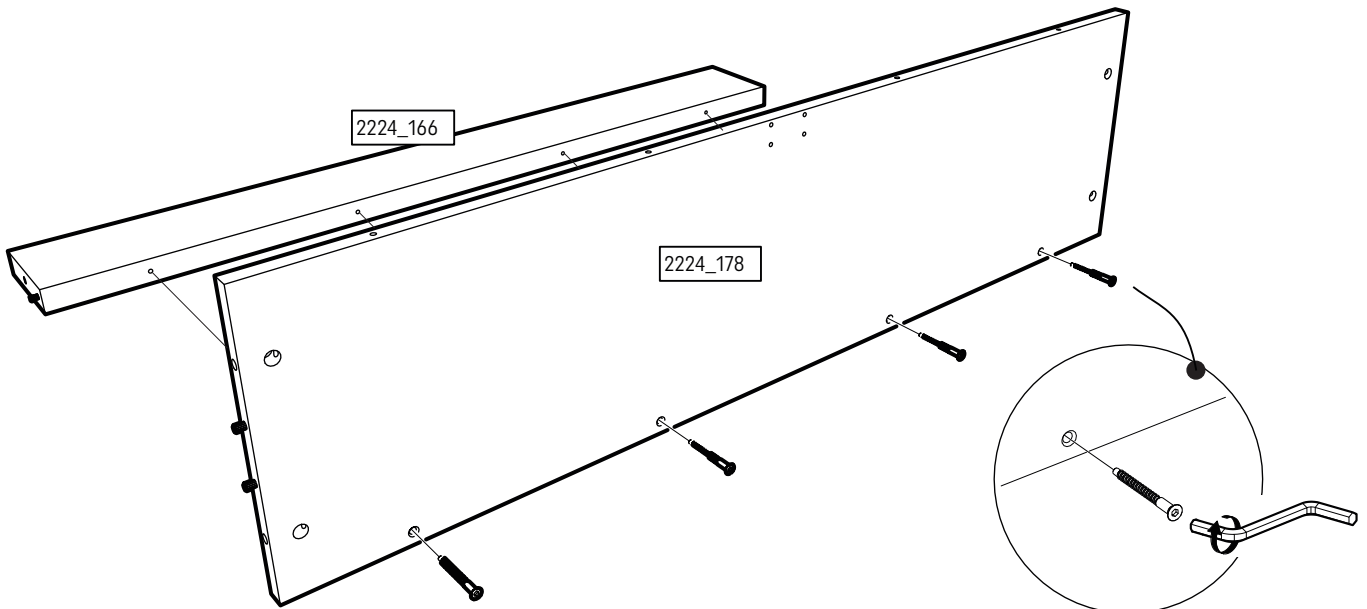
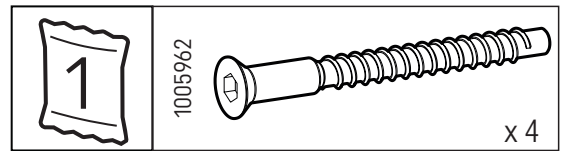
1



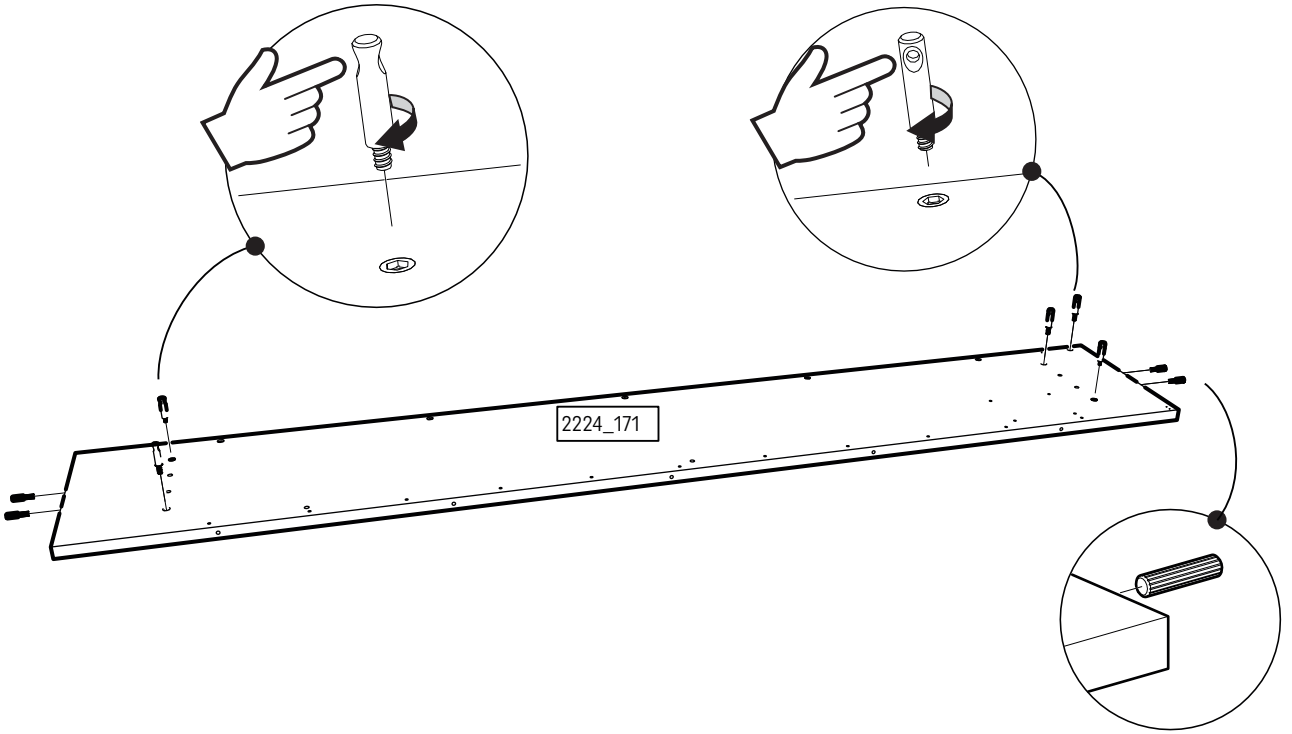
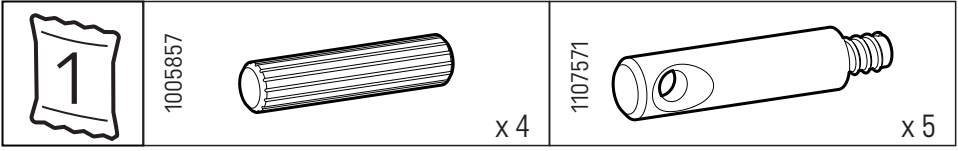
2



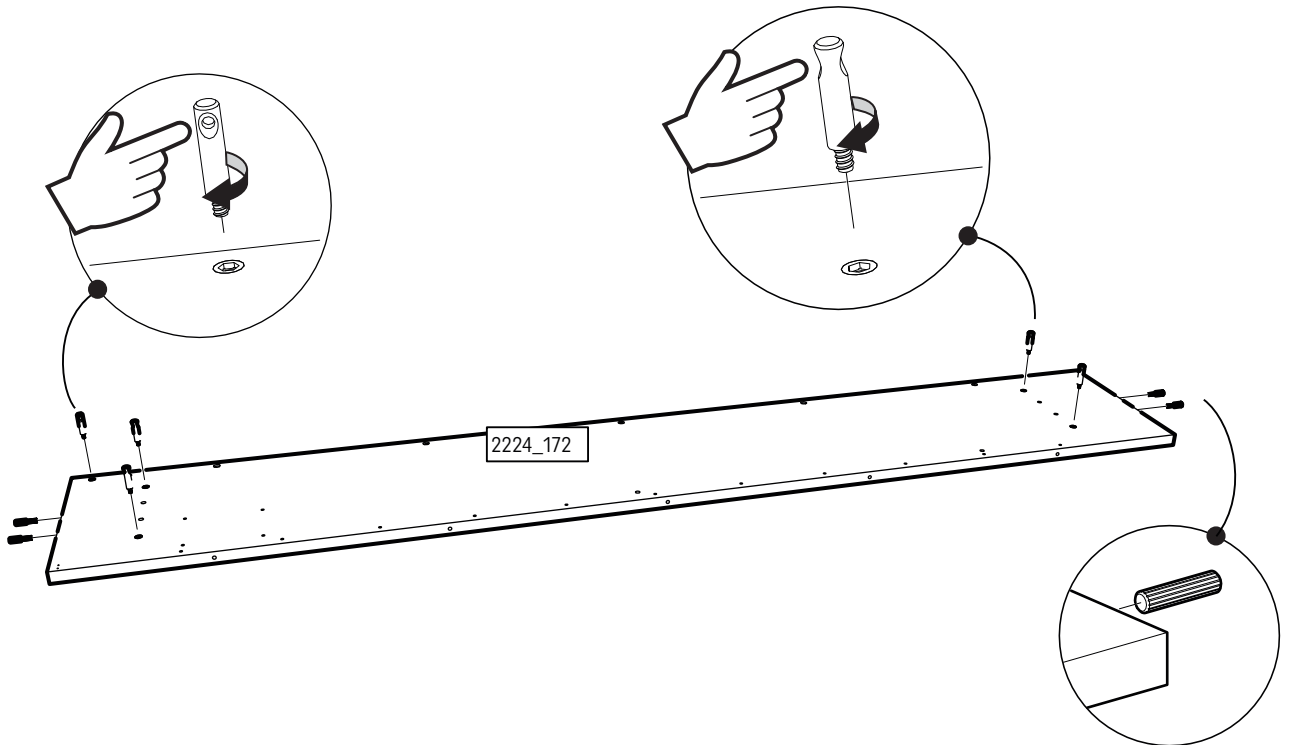
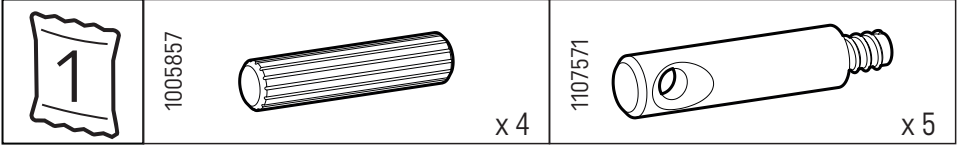
3




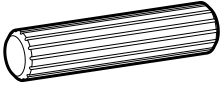
4

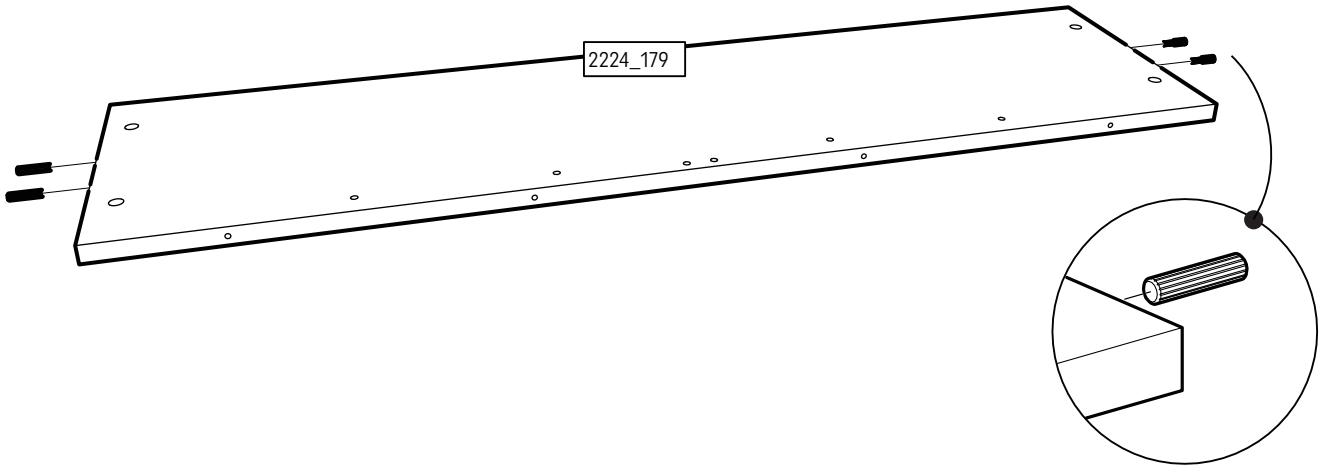


5


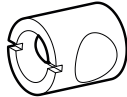



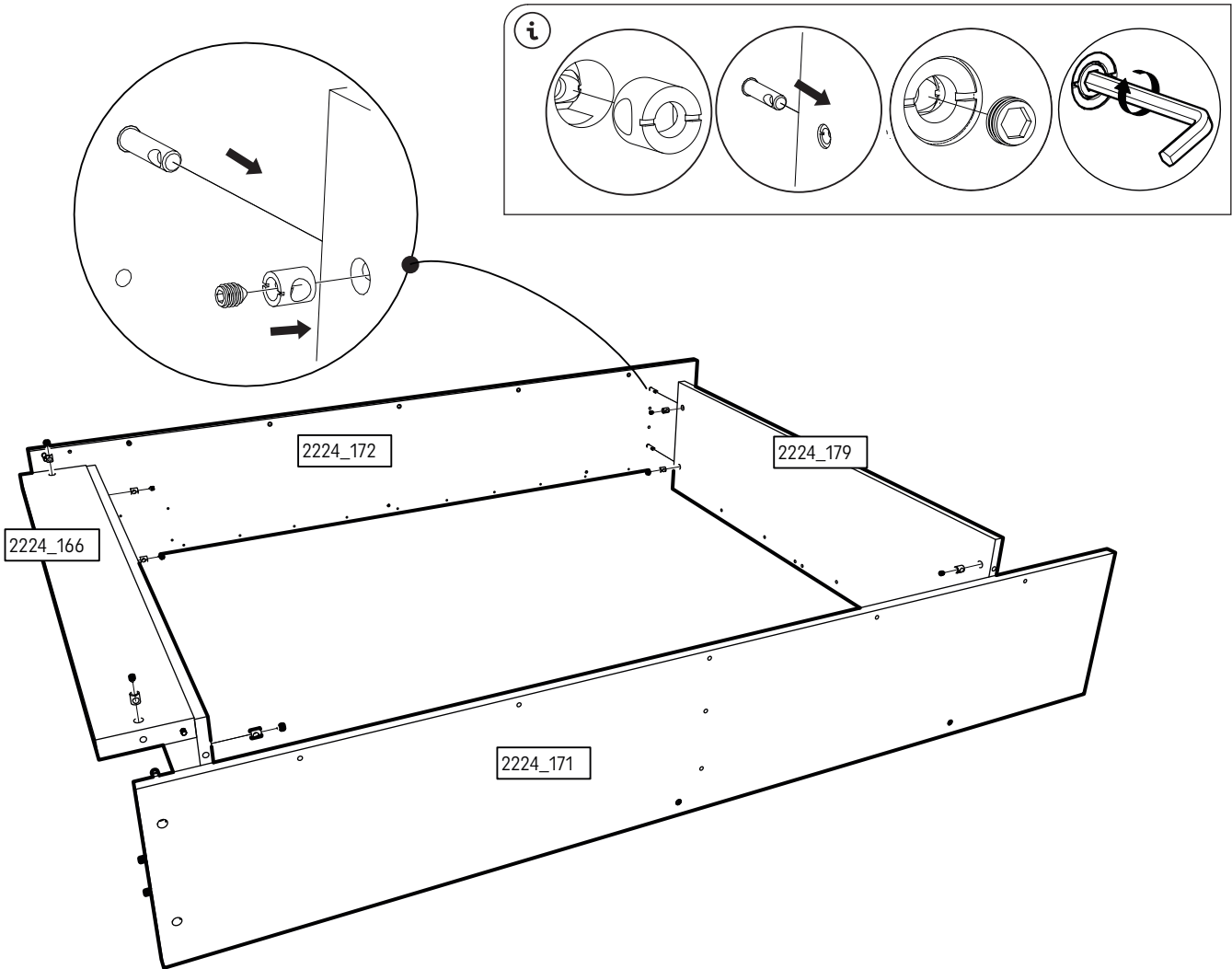
6

	1005857		x 4
--	---------	--	-----





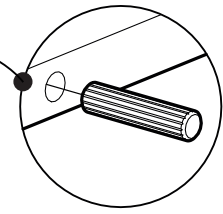
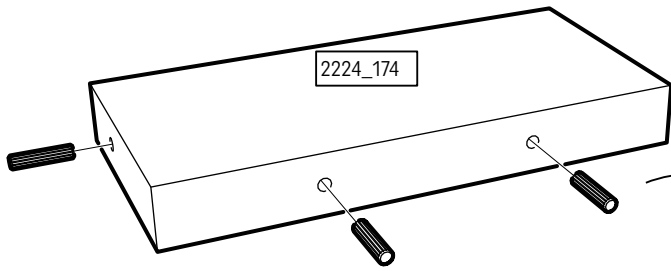
7

	1109473		x 10	1109474		x 10
--	---------	---	------	---------	---	------




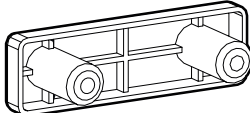

8

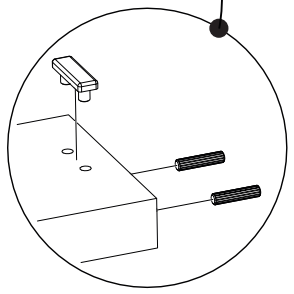
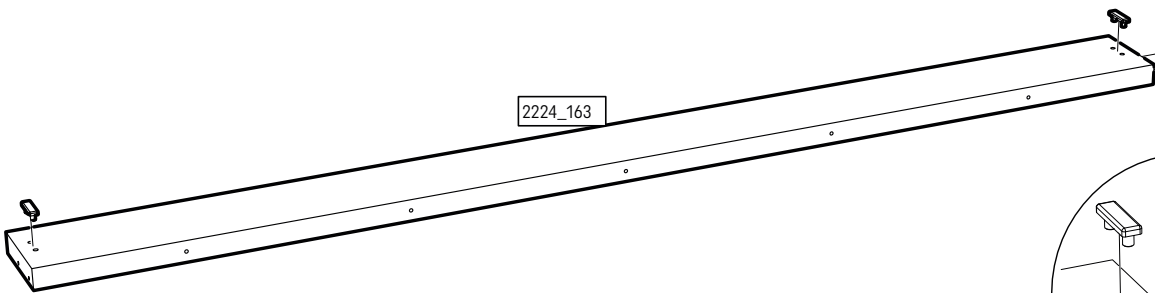
	1005857		x6
--	---------	--	----




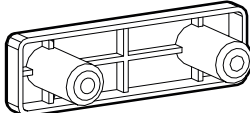
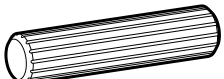
x2

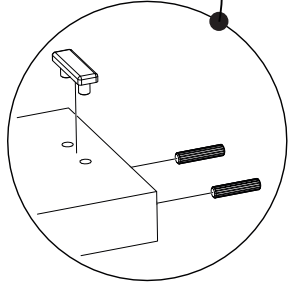
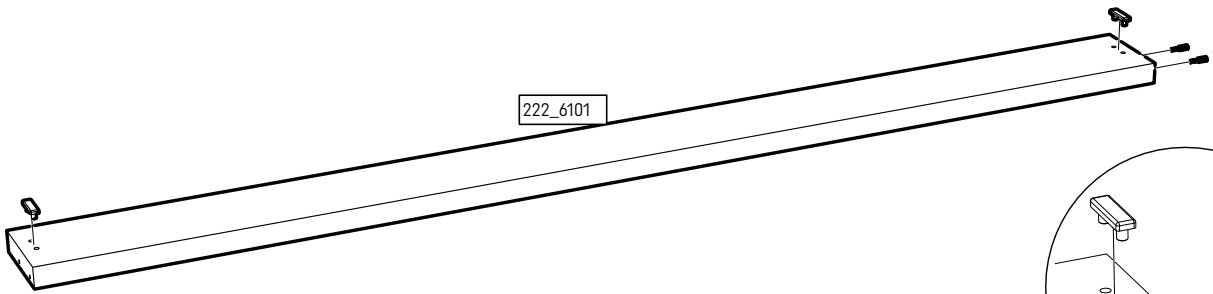
9

	1000868		x2	1005857		x2
---	---------	--	----	---------	---	----

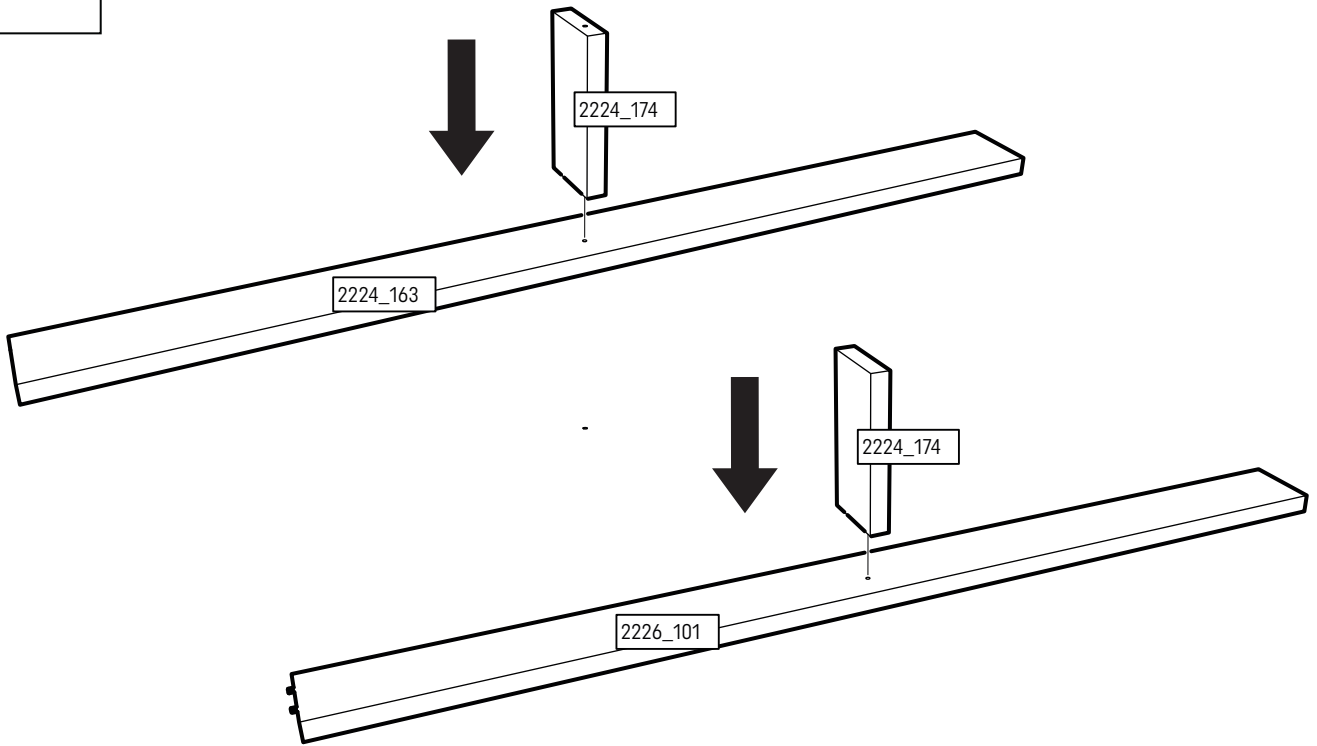


10

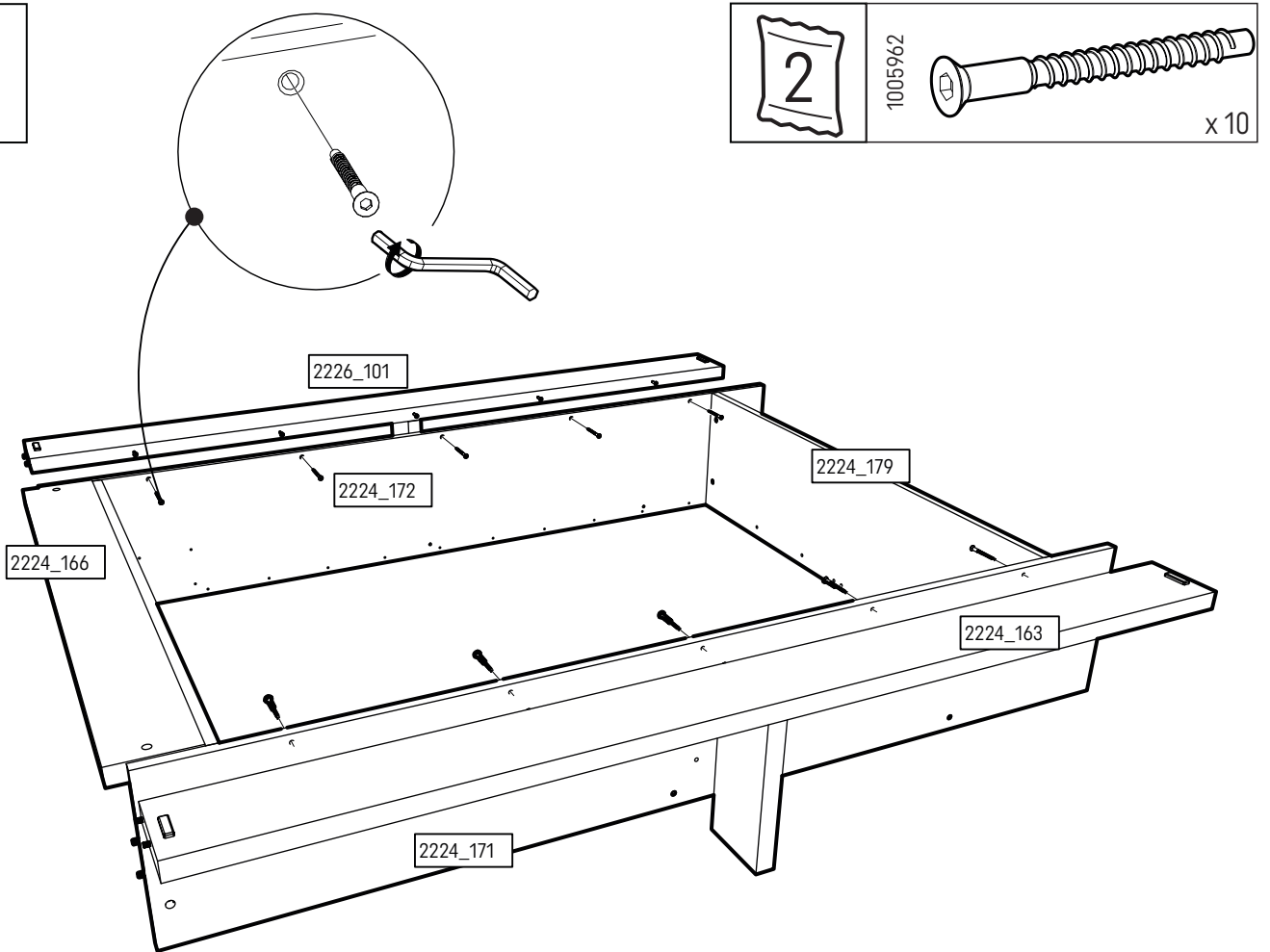
	1000868		x2	1005857		x2
---	---------	--	----	---------	---	----



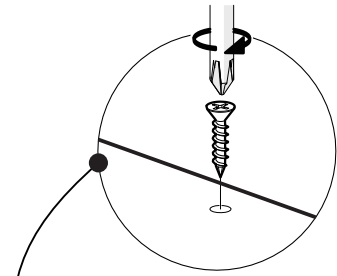
11




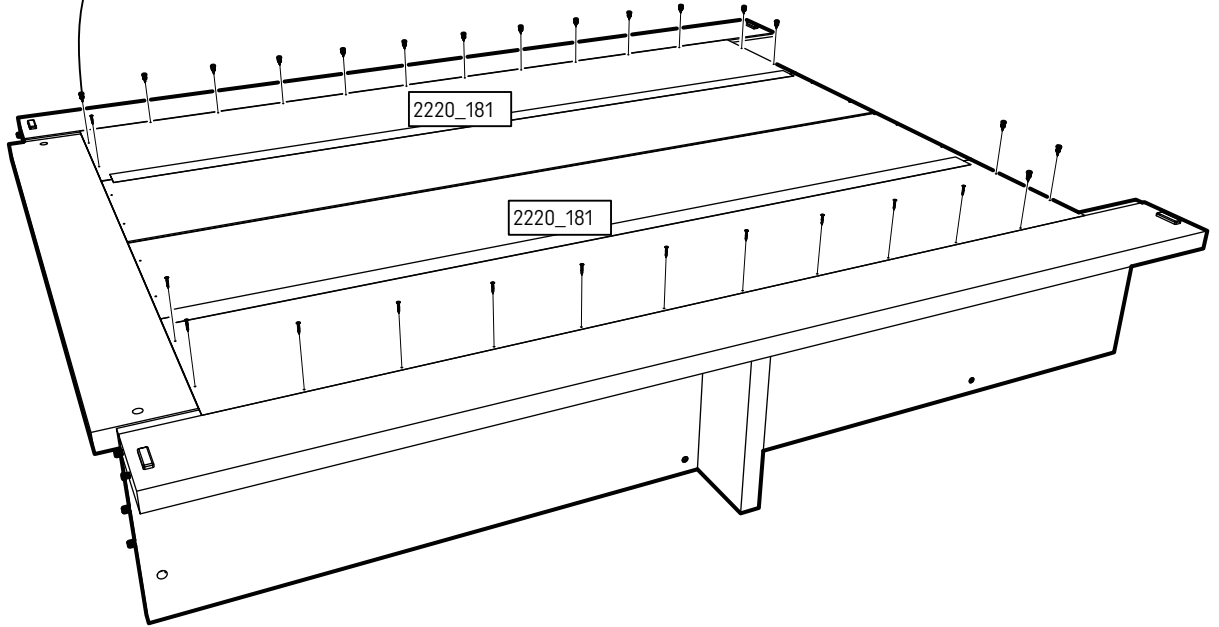
12



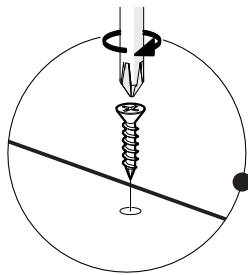
13




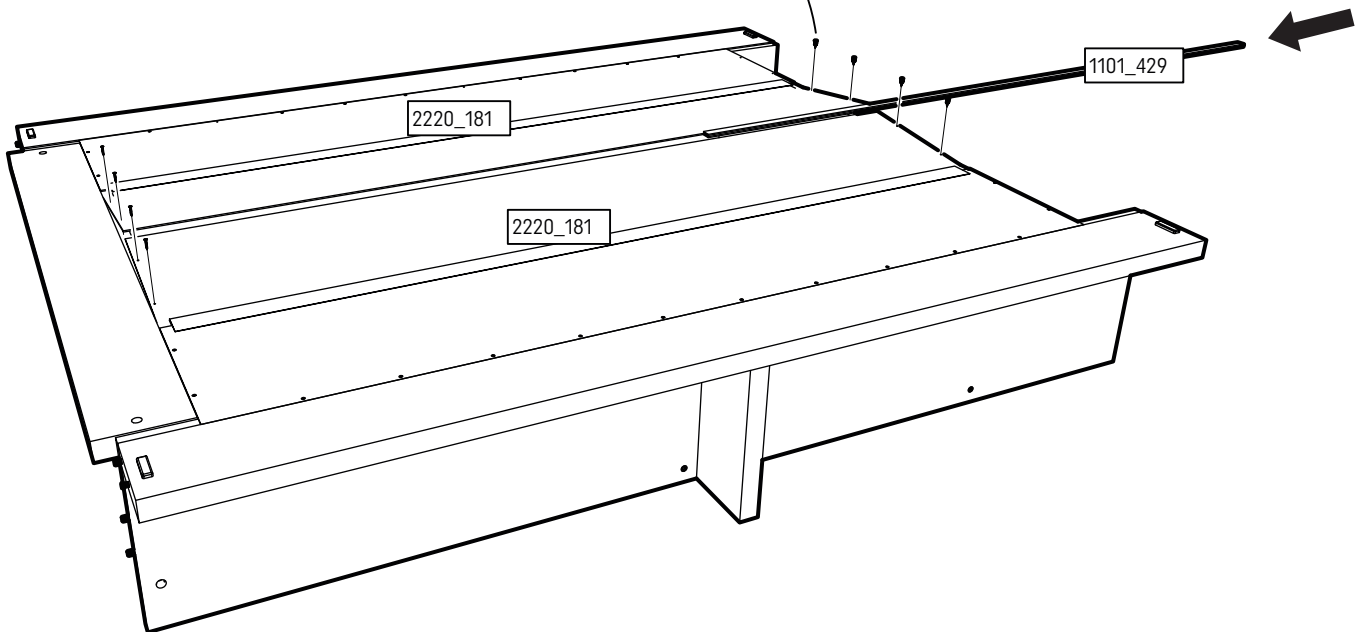
2	1008908	 x 28
---	---------	---



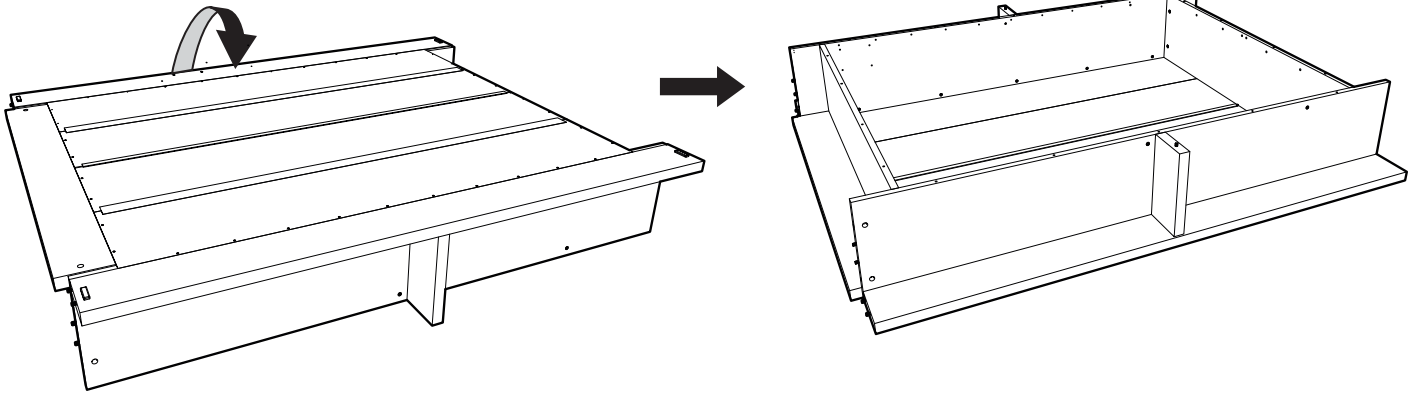
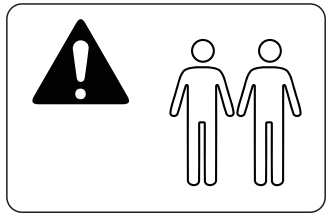
14



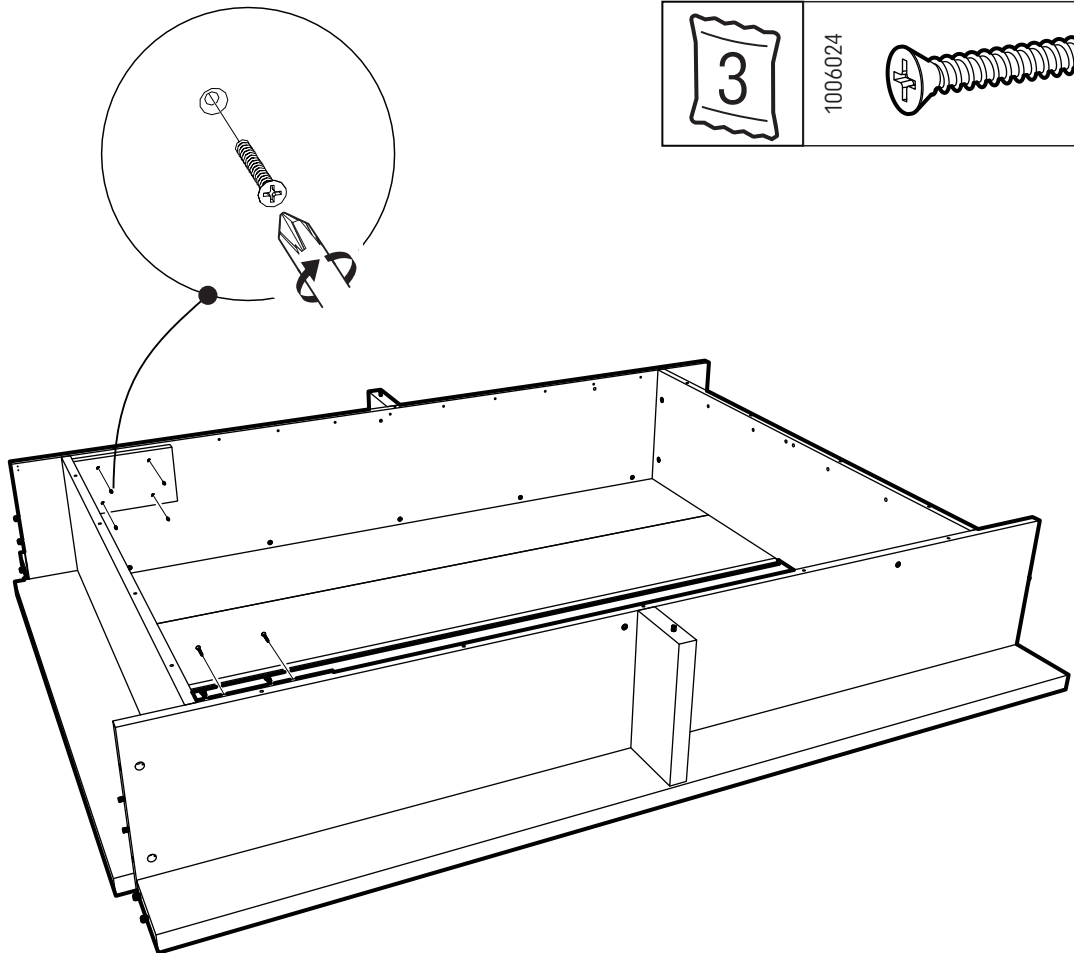
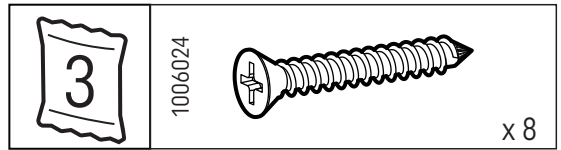
2	1008908	 x 8
---	---------	---



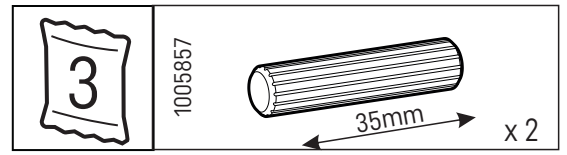
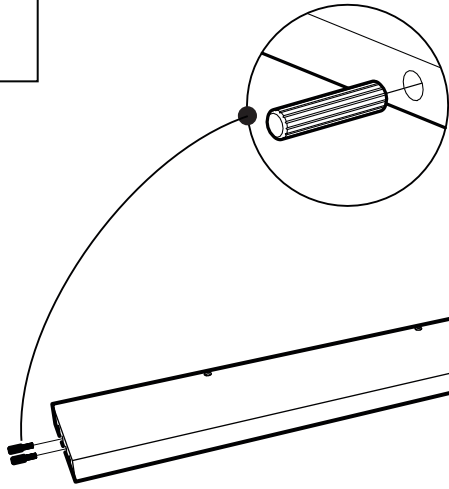
15



16

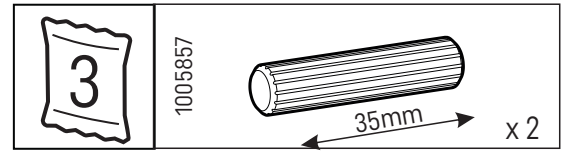
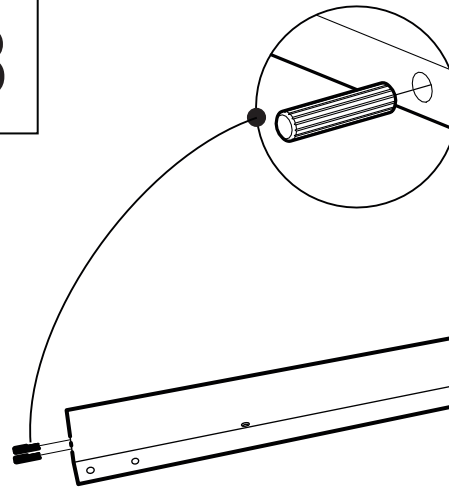


17



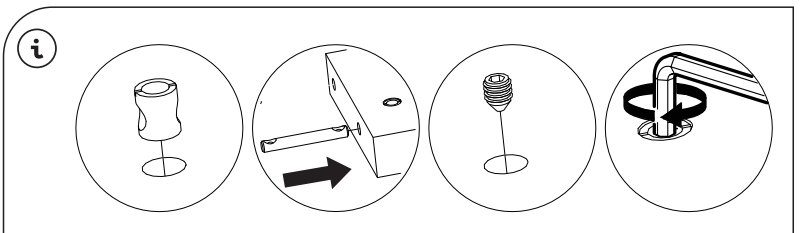
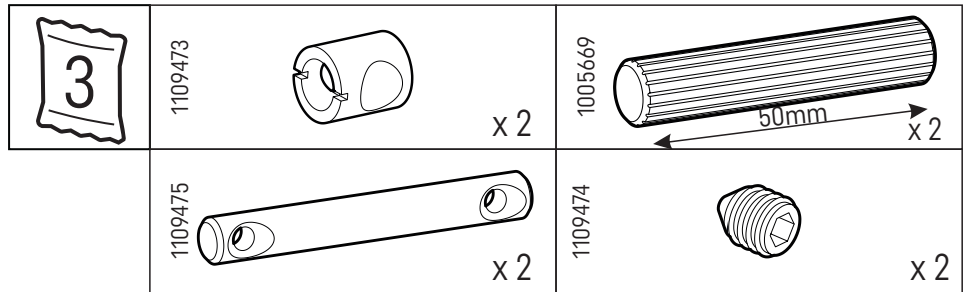
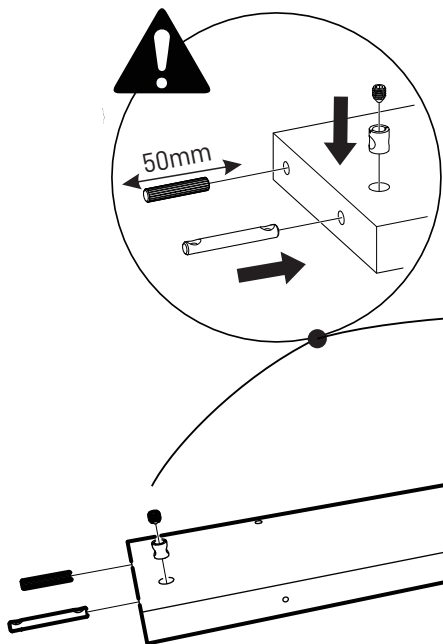
2224_162

18




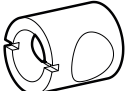
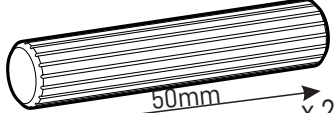


2224_161

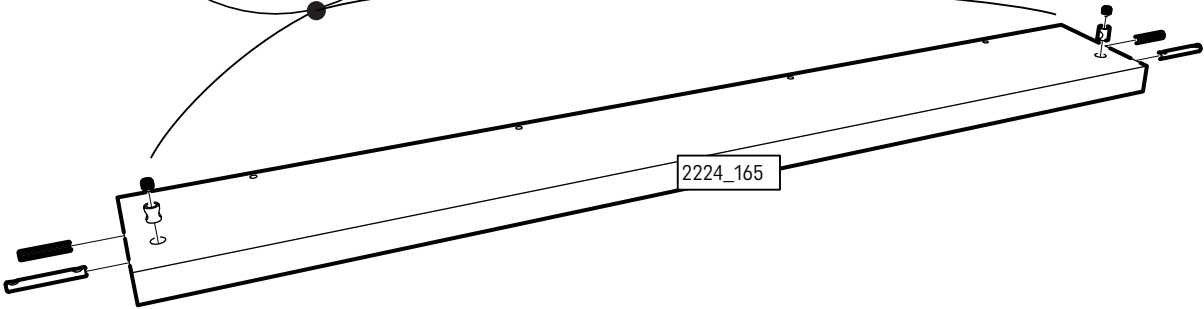
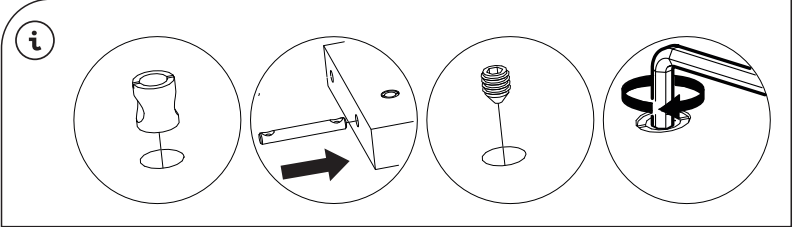
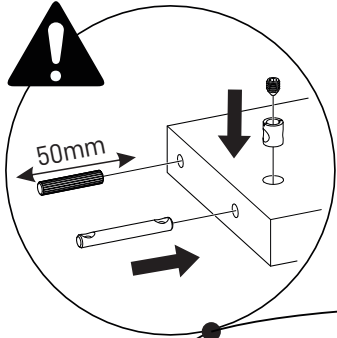
19




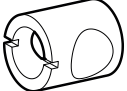

2224_164

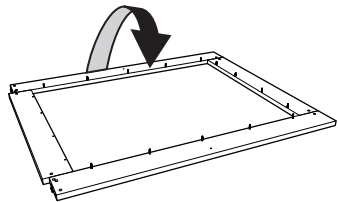
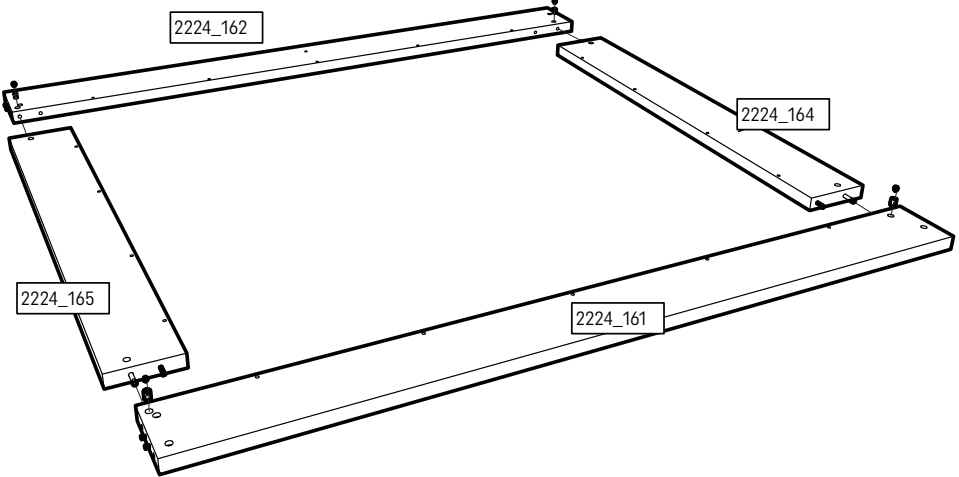
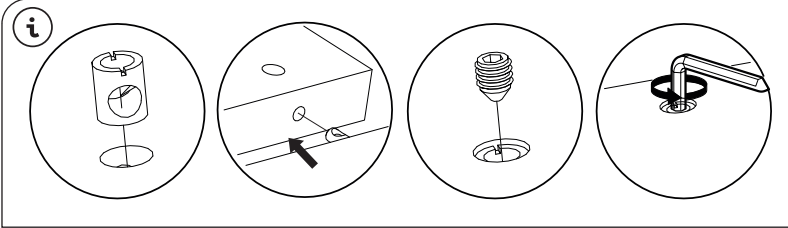
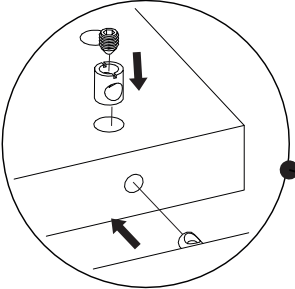
20

	1109473  x 2	1005669  50mm x 2
1109475  x 2	1109474  x 2	

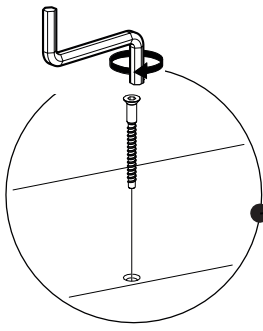


21

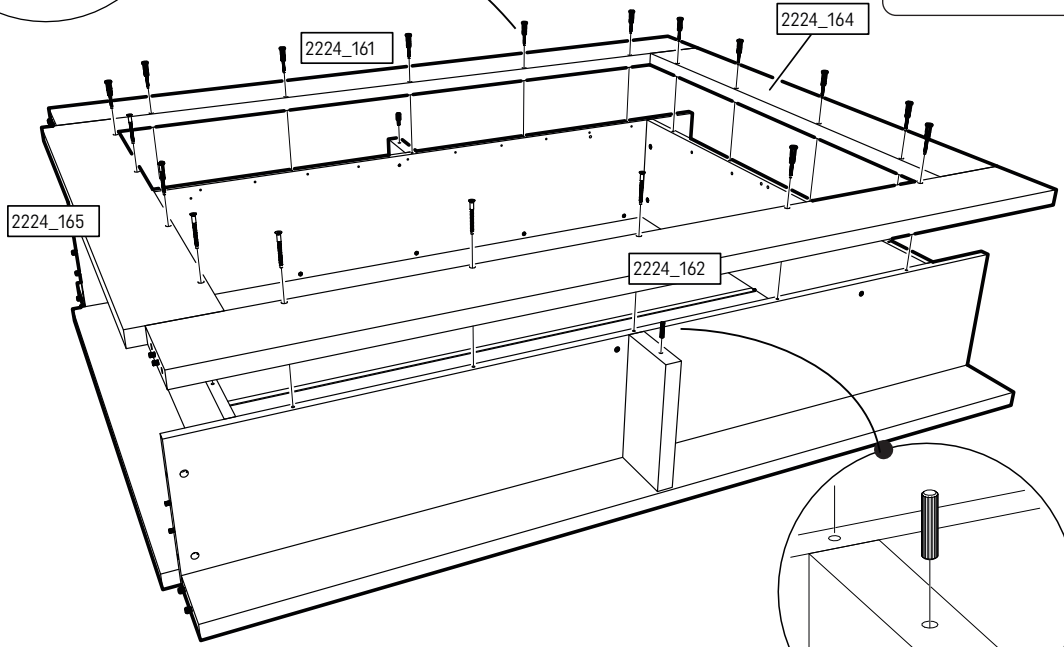
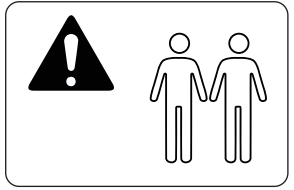
	1109473  x 4	1109474  x 4
---	--	---



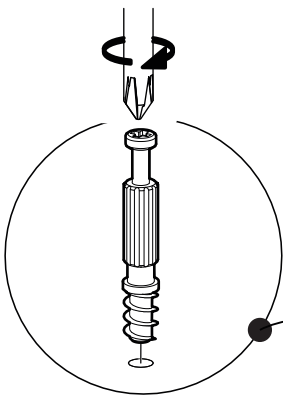
22



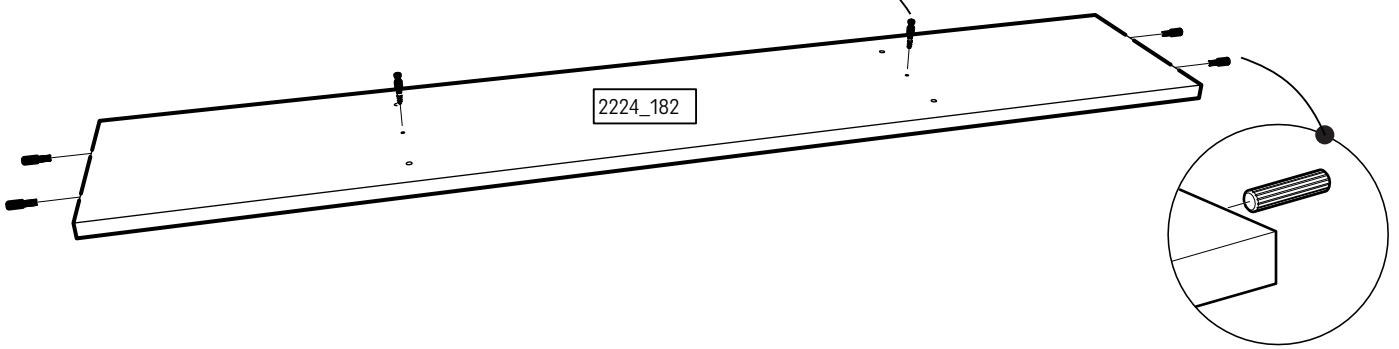
<p>4</p>	<p>1005962</p> <p>x 18</p>	<p>1005857</p> <p>x 2</p>
----------	----------------------------	---------------------------



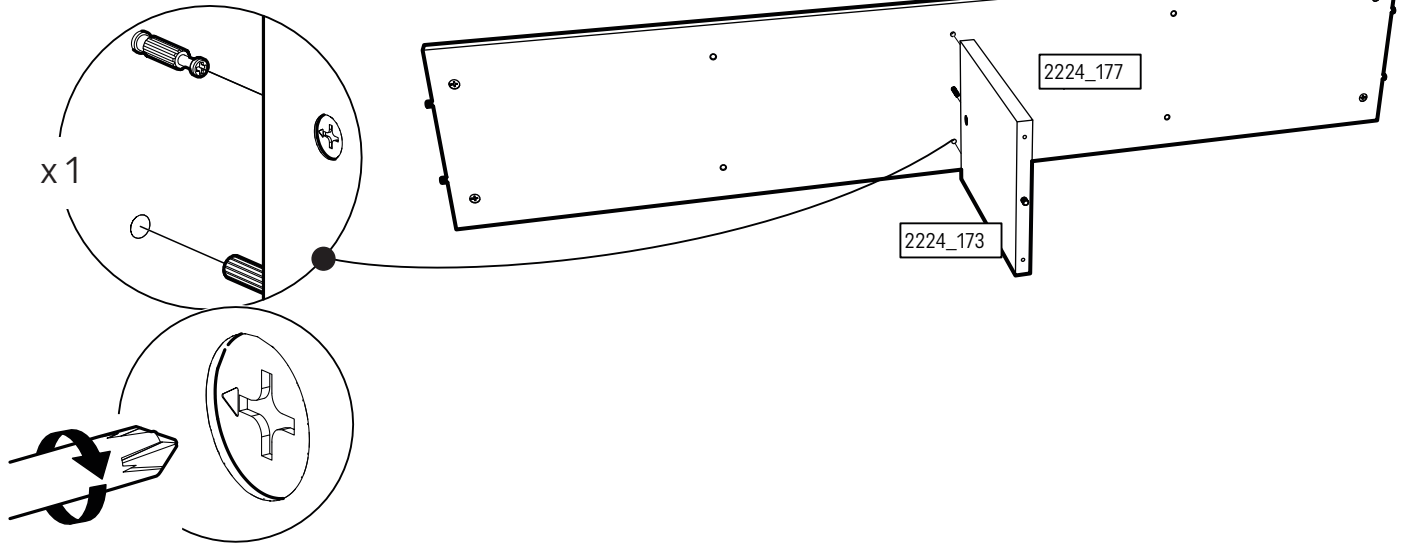
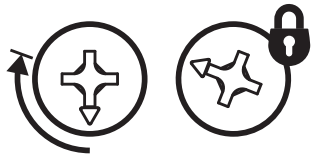
23



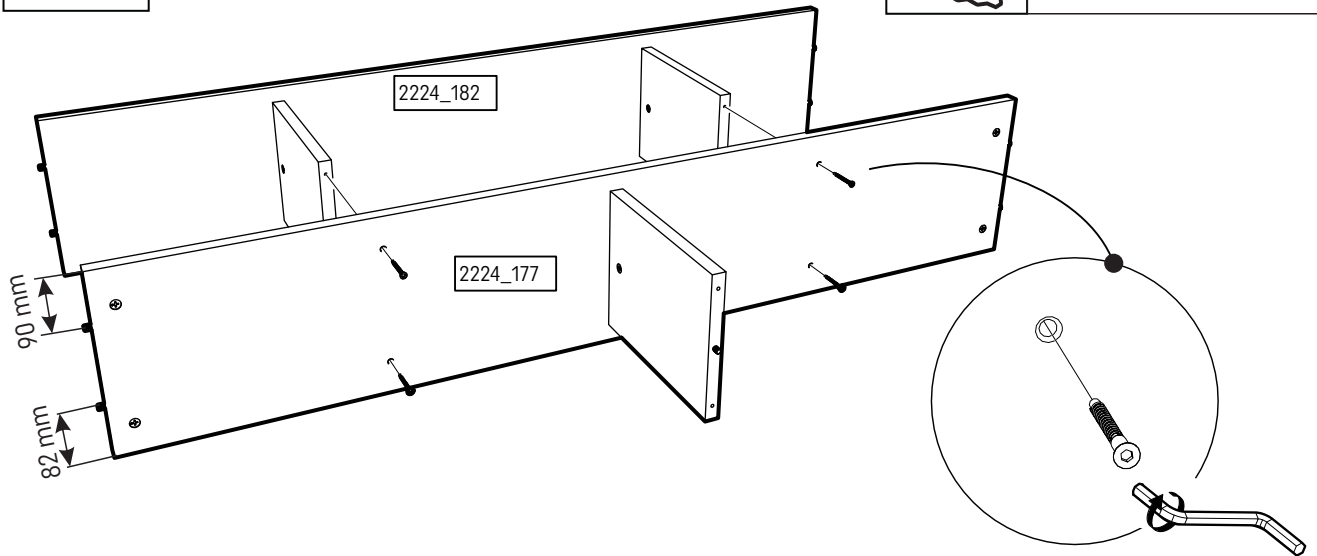
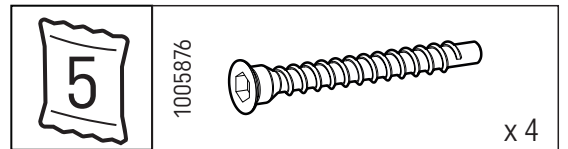
<p>4</p>	<p>1006091</p> <p>x 2</p>	<p>1005857</p> <p>x 4</p>
----------	---------------------------	---------------------------



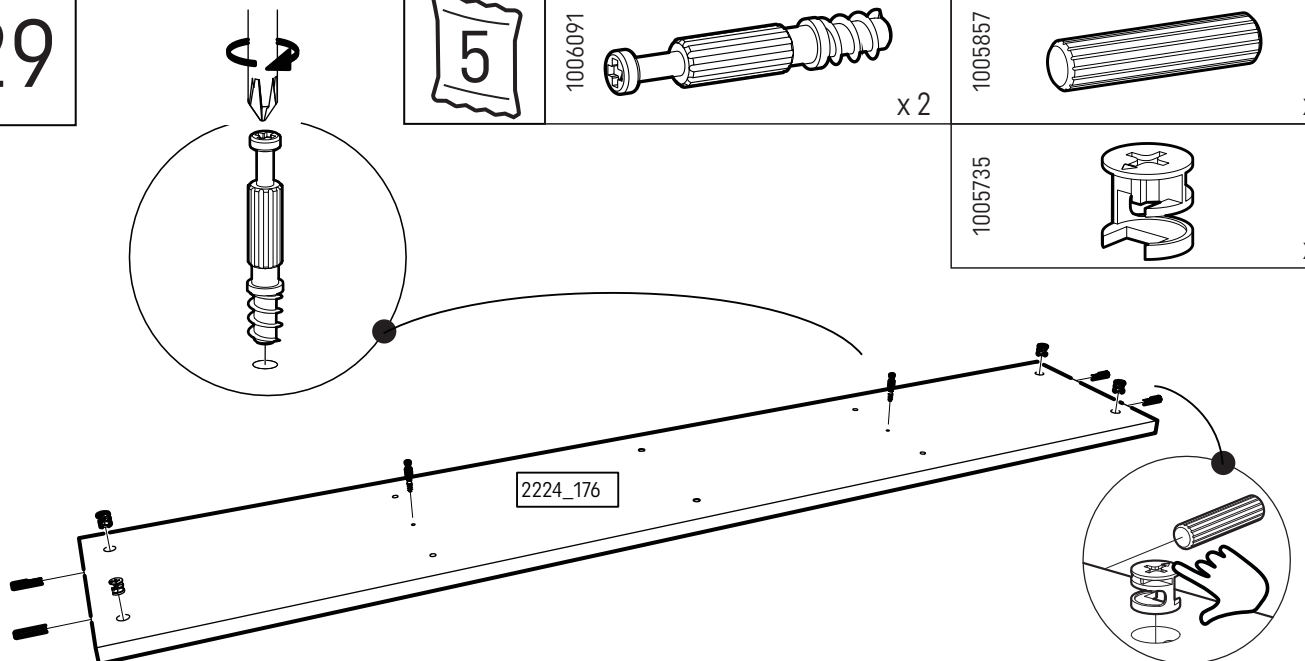
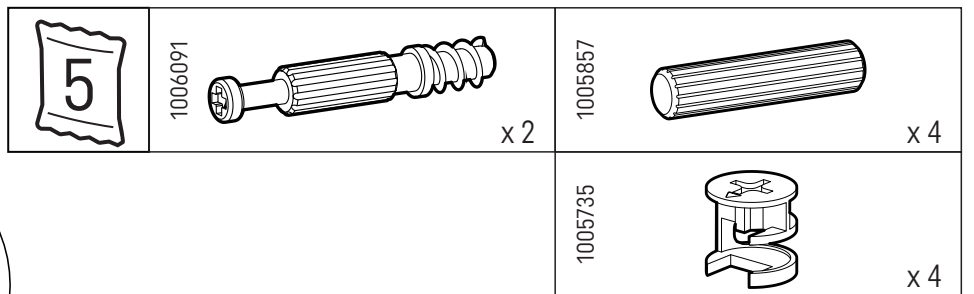
27



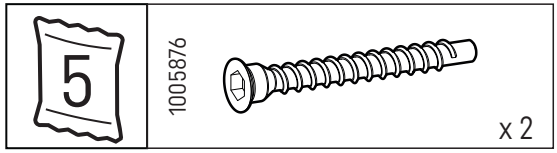
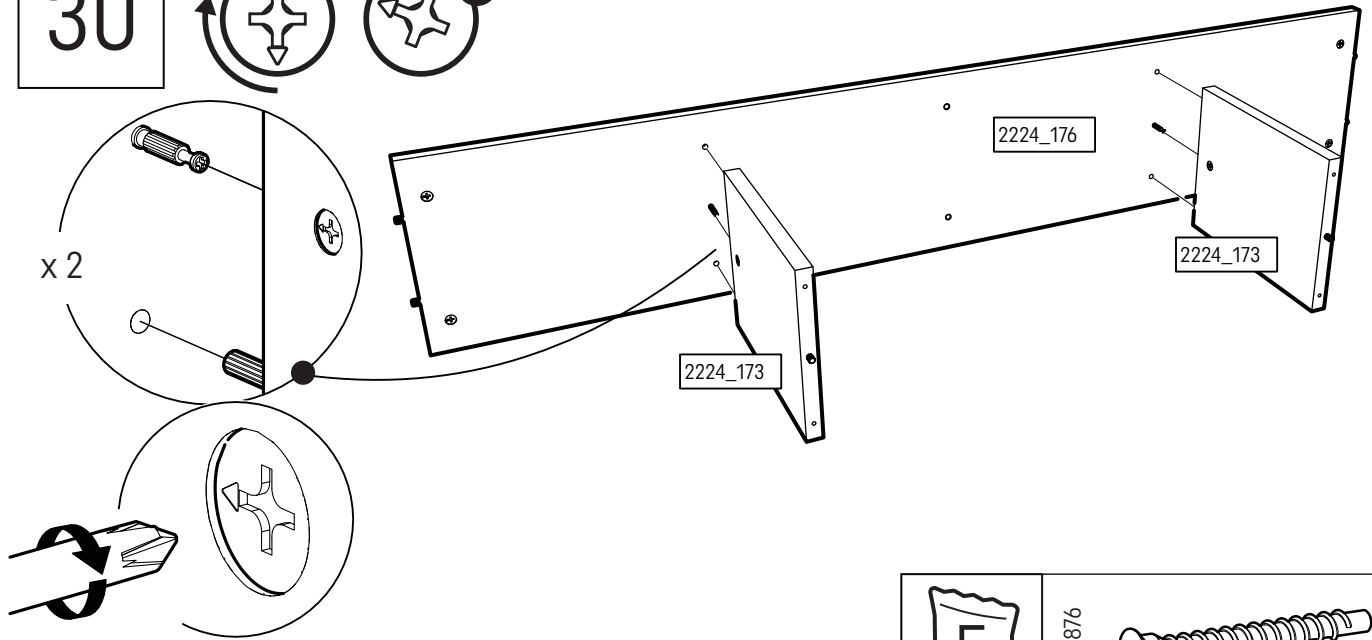
28



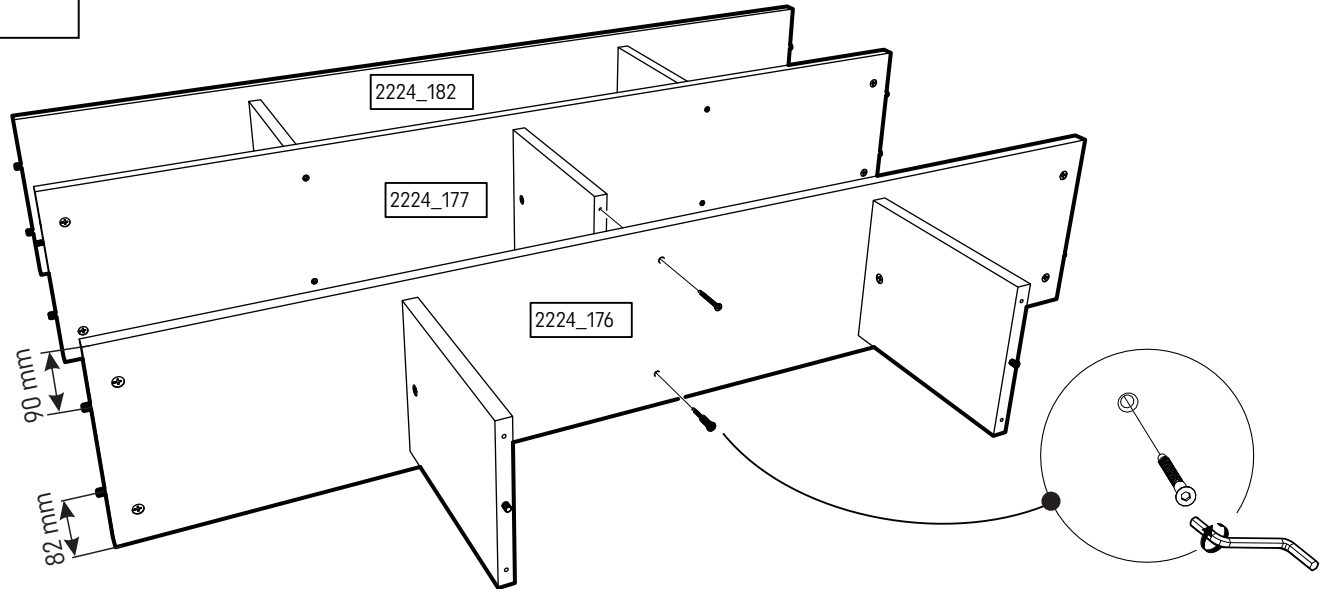
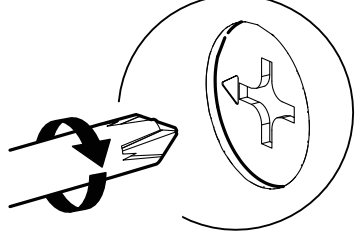
29



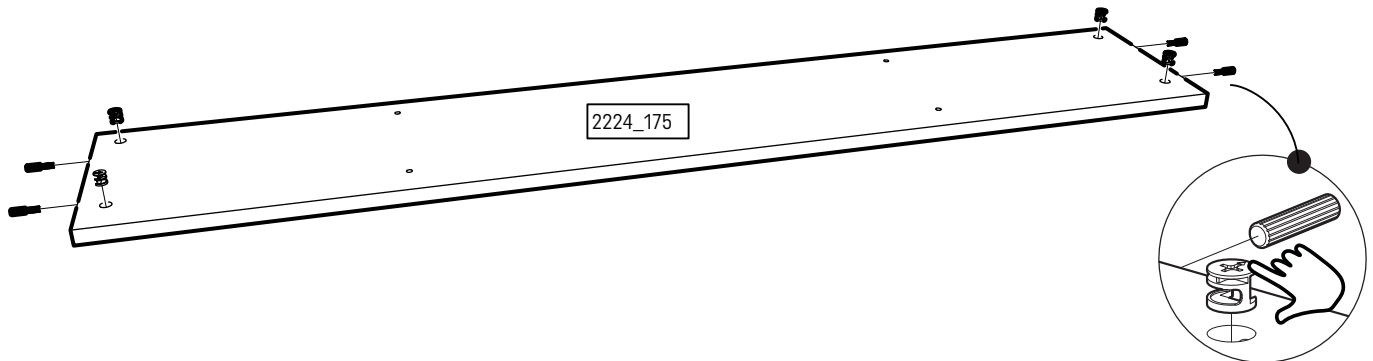
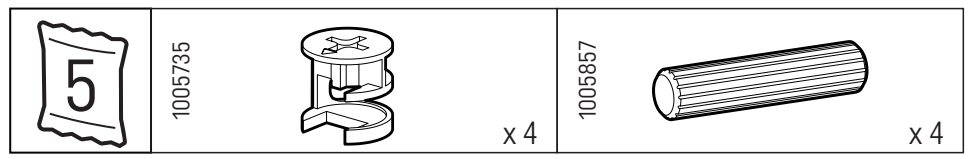
30




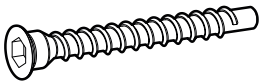
31

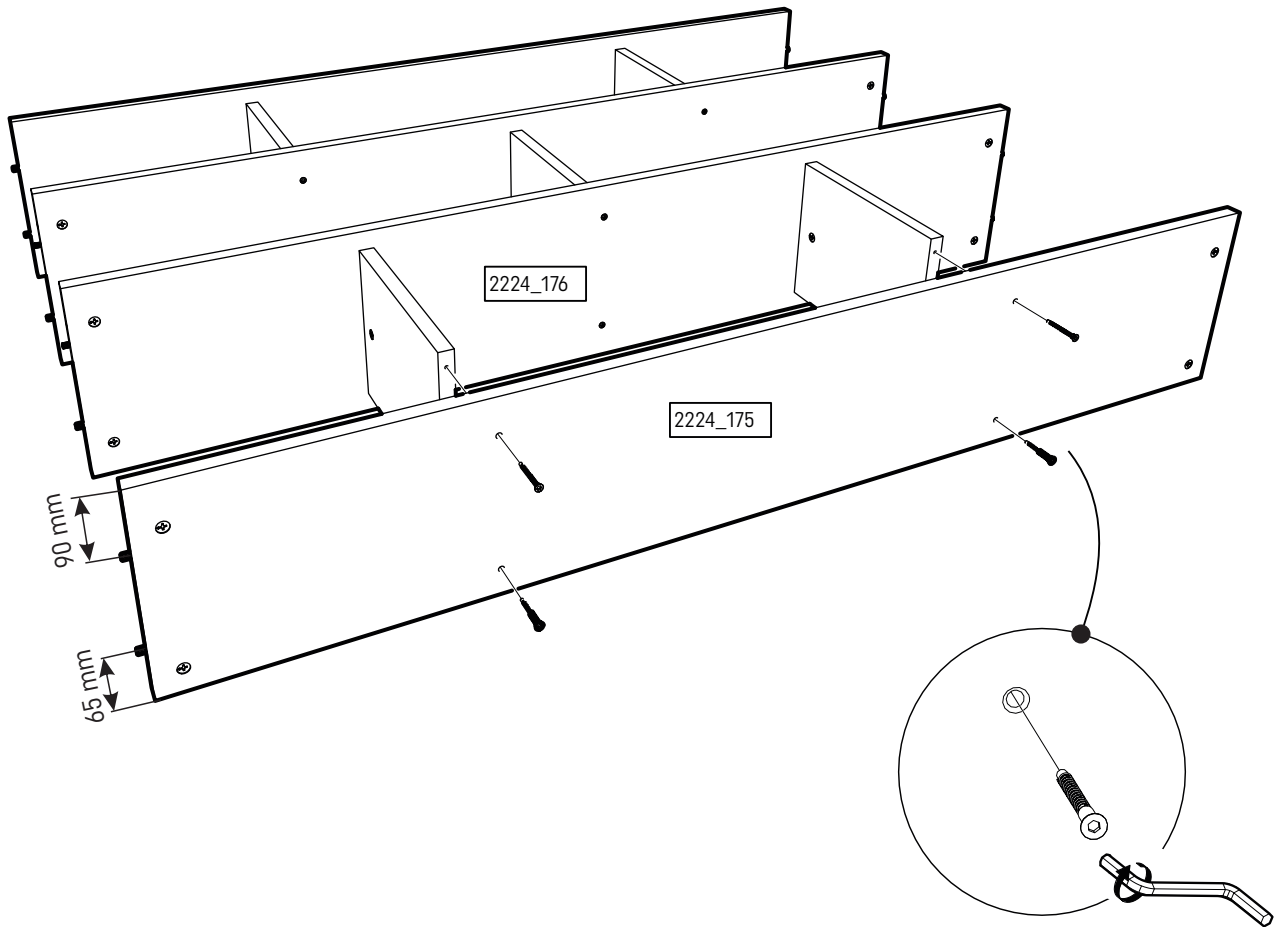


32


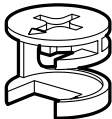
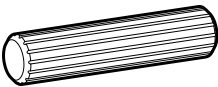


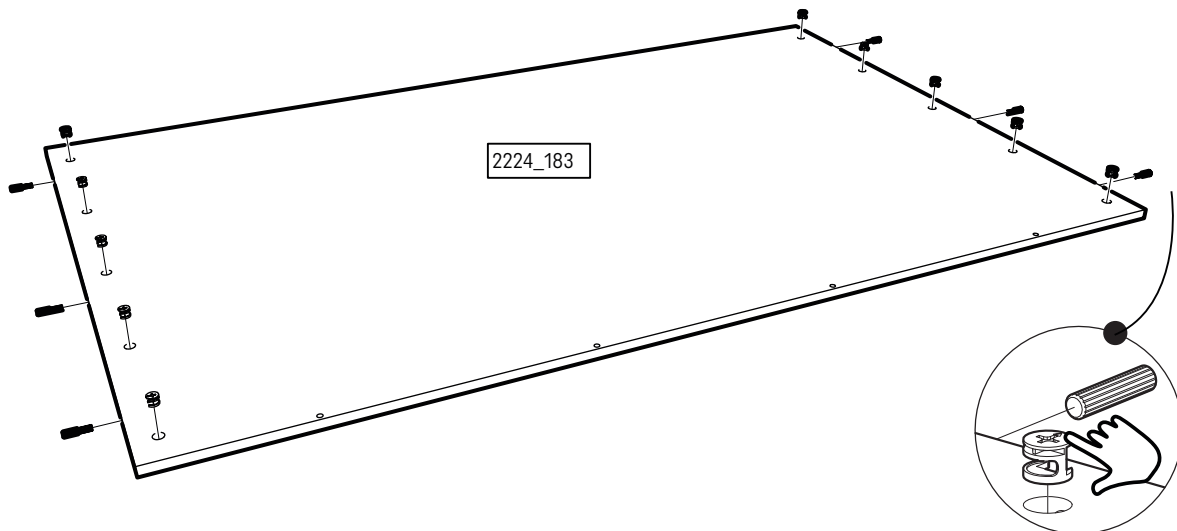
33

	1005876		x 4
--	---------	--	-----


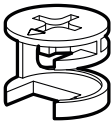



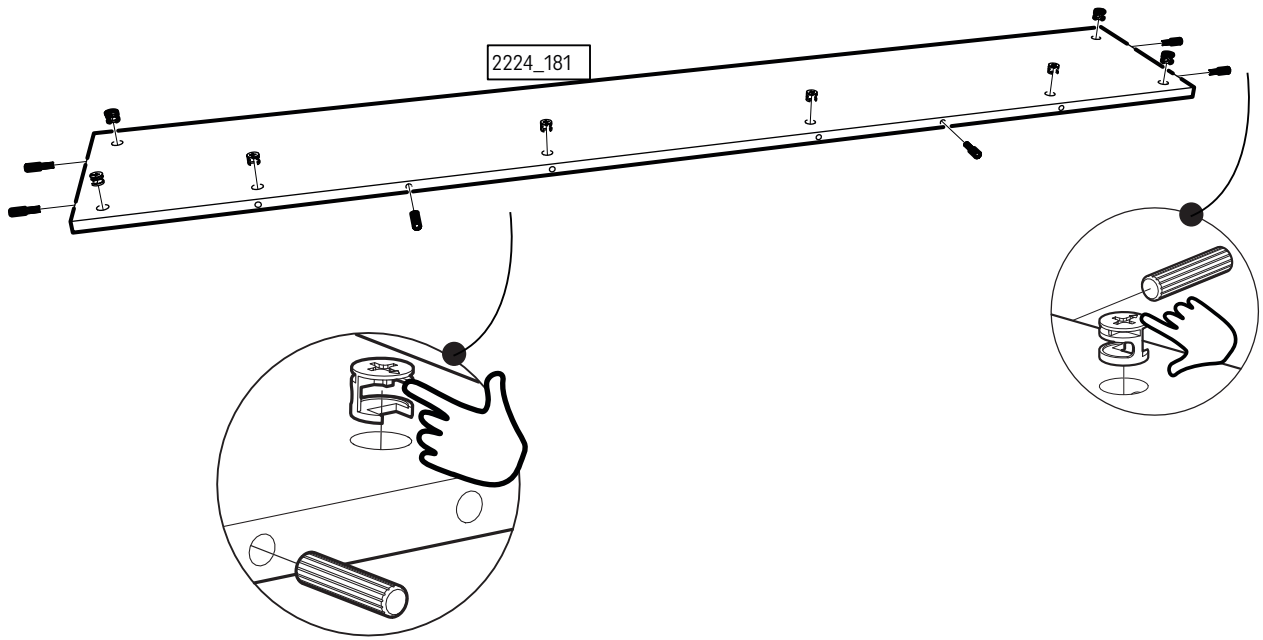
34

	1005990		x 10	1005857		x 6
---	---------	---	------	---------	---	-----


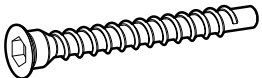


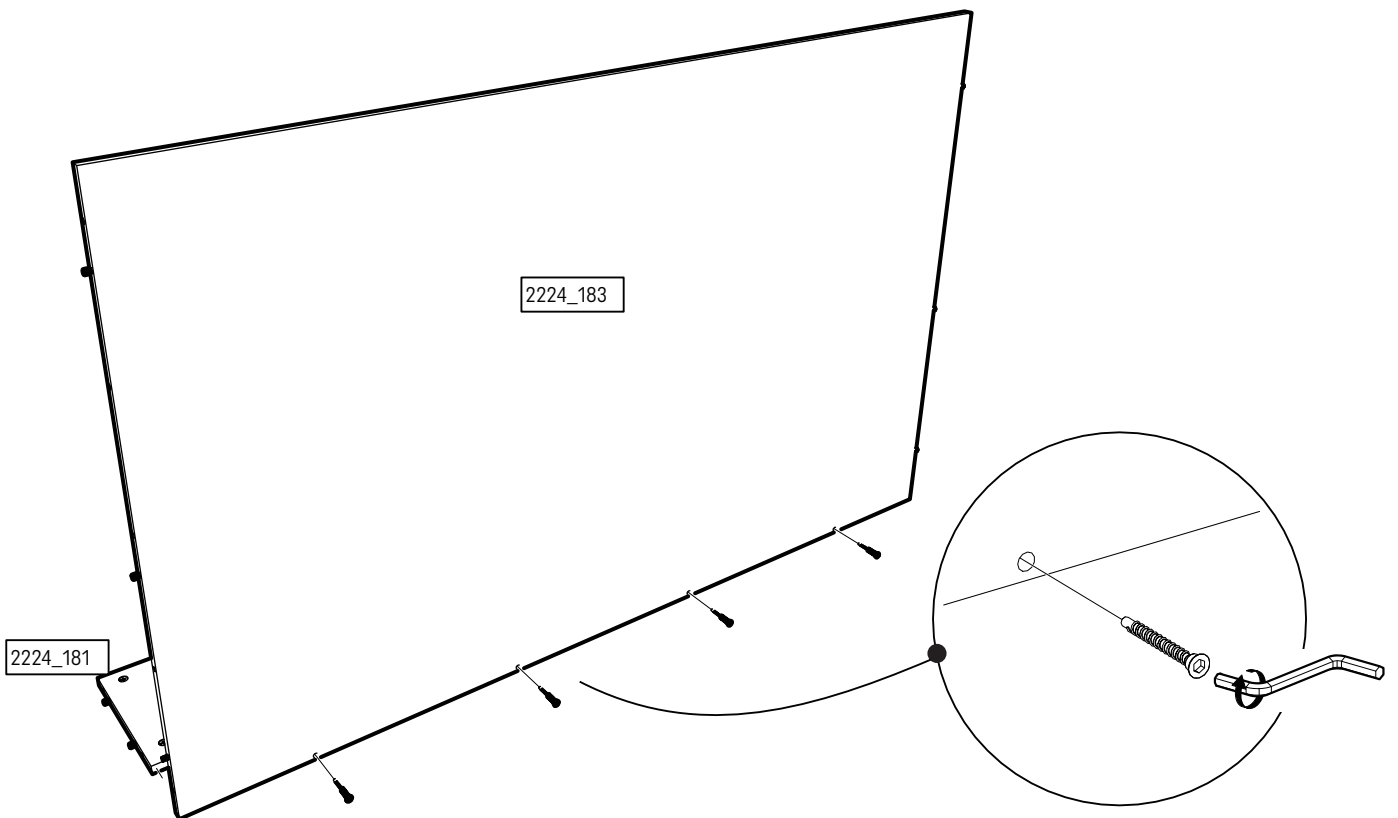
35

 <p>6</p>	<p>1005990</p>	 <p>x 8</p>	<p>1005857</p>	 <p>x 6</p>
---	----------------	---	----------------	---


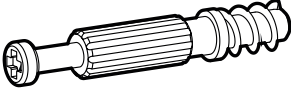
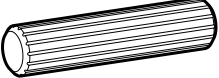
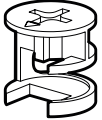


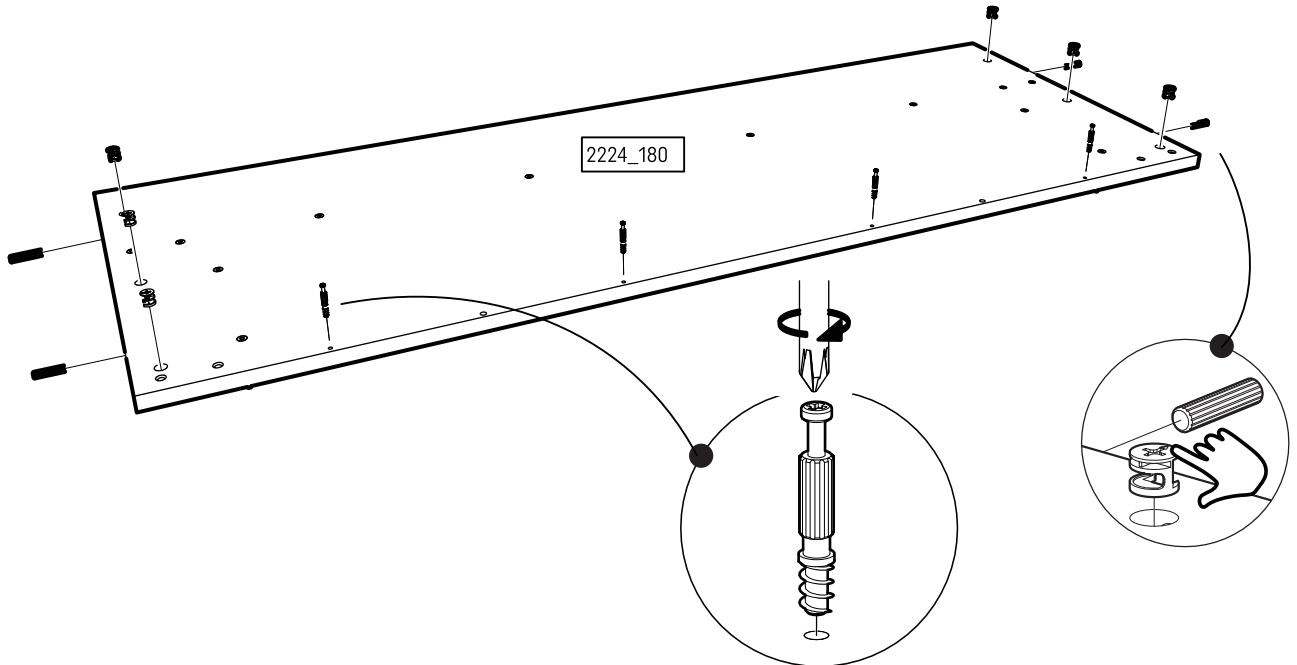
36

 <p>6</p>	<p>1005876</p>	 <p>x 4</p>
--	----------------	--

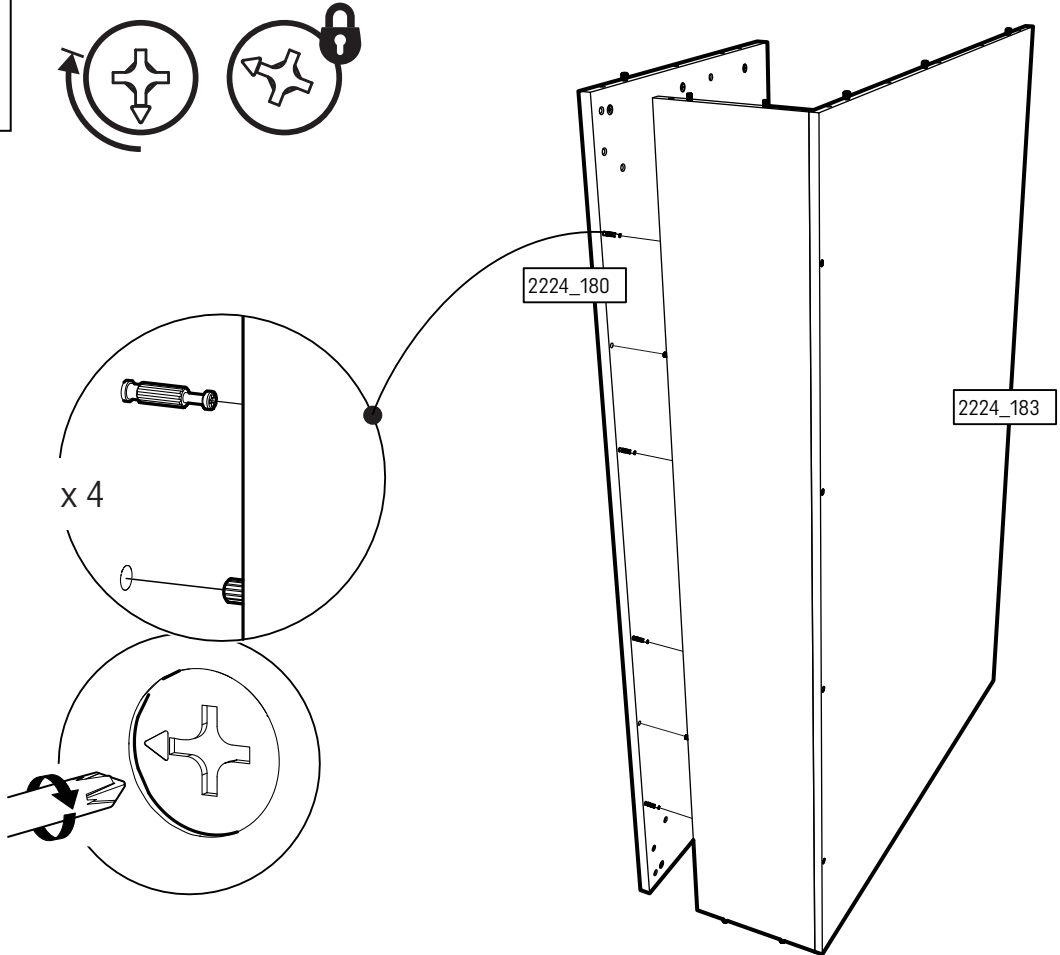


37


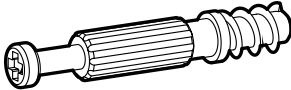
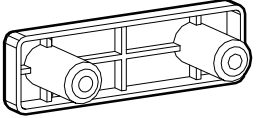
 <p>7</p>	<p>1006091</p>  <p>x 4</p>	<p>1005857</p>  <p>x 4</p>
		<p>1005735</p>  <p>x 6</p>

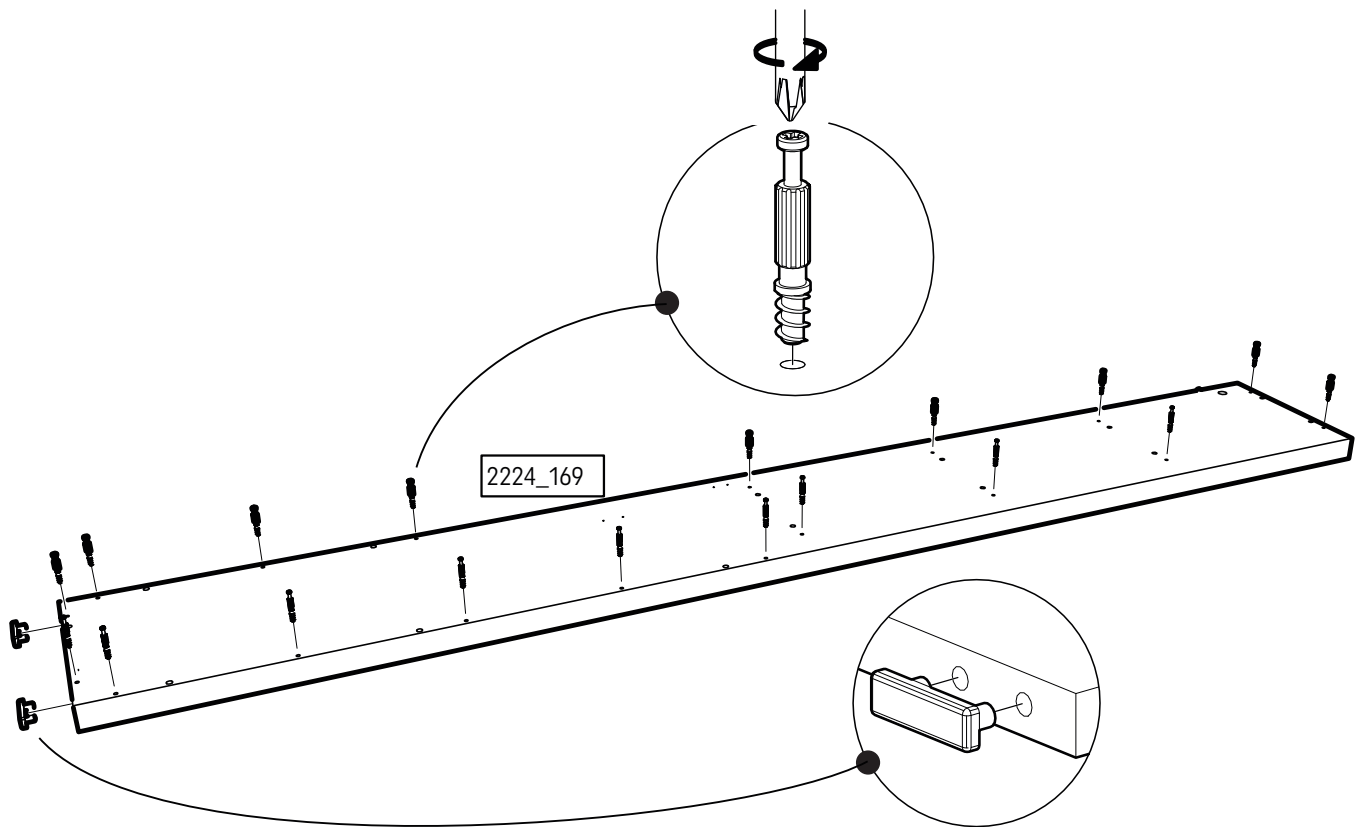


38

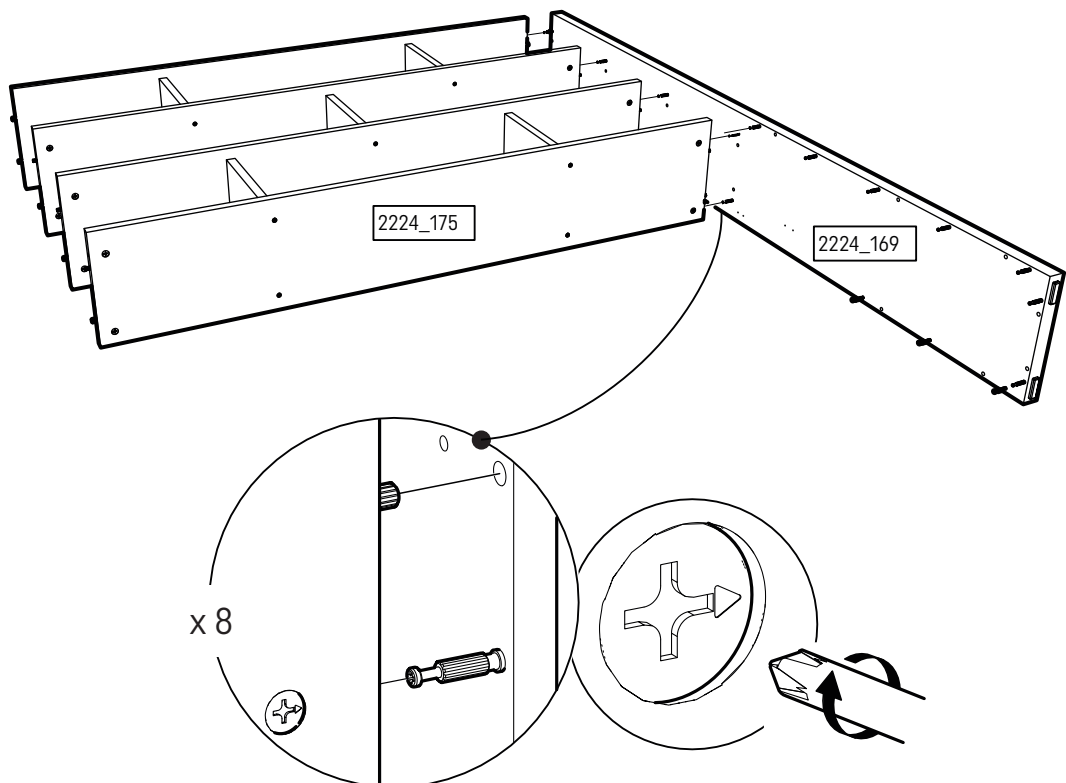
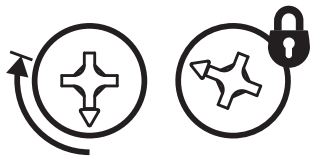


39

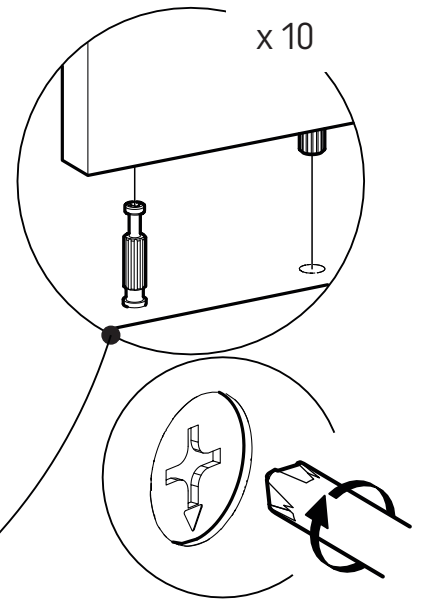
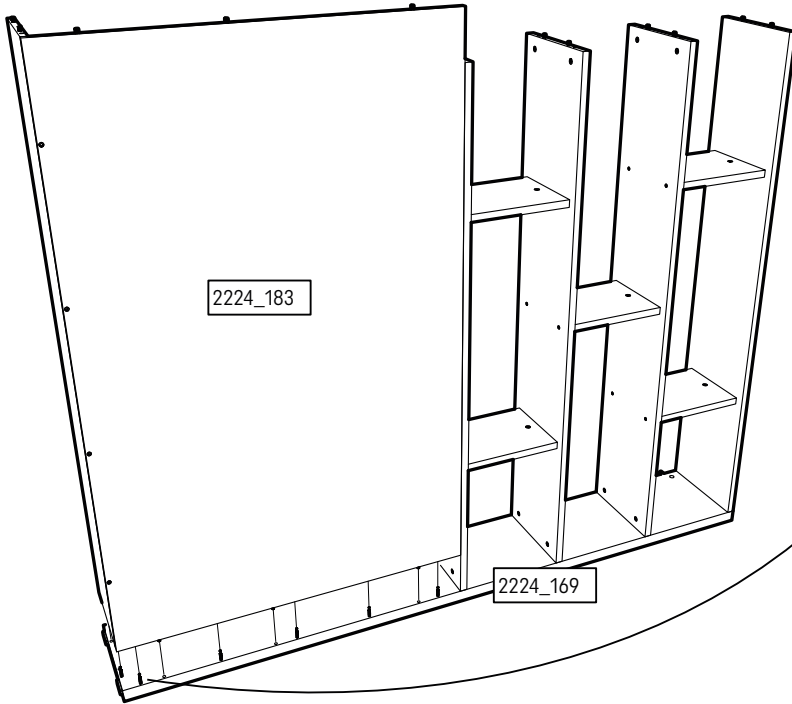
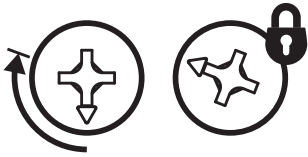
 <p>7</p>	<p>1006091</p>  <p>x 18</p>	<p>1000868</p>  <p>x 2</p>
---	--	--



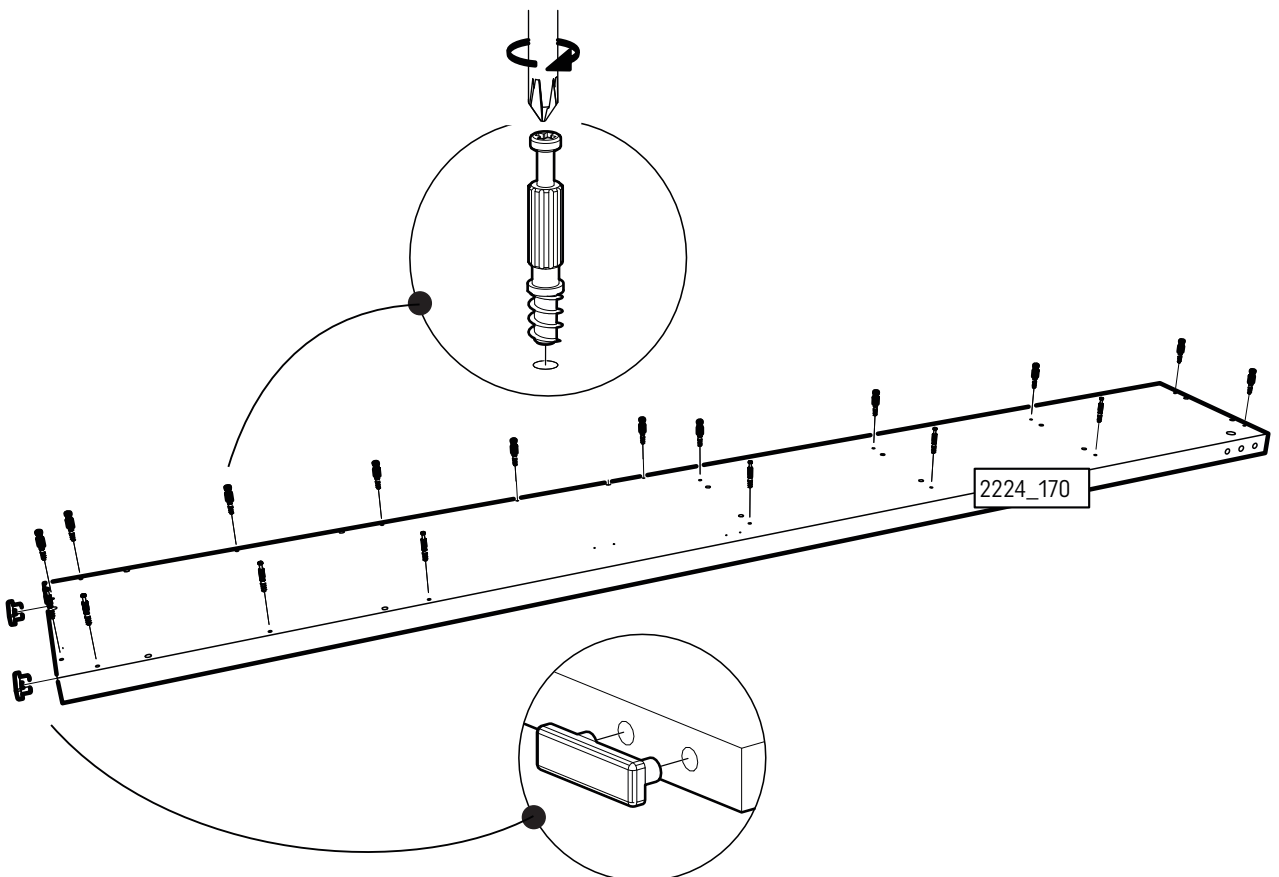
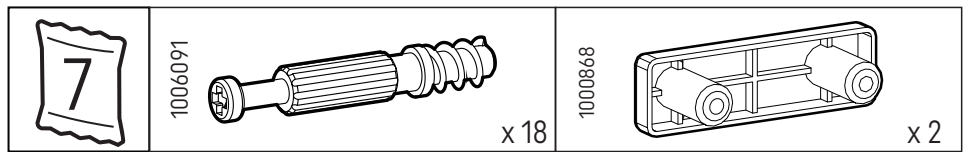
40



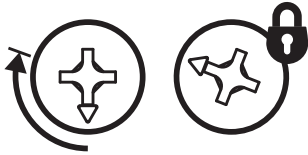
41



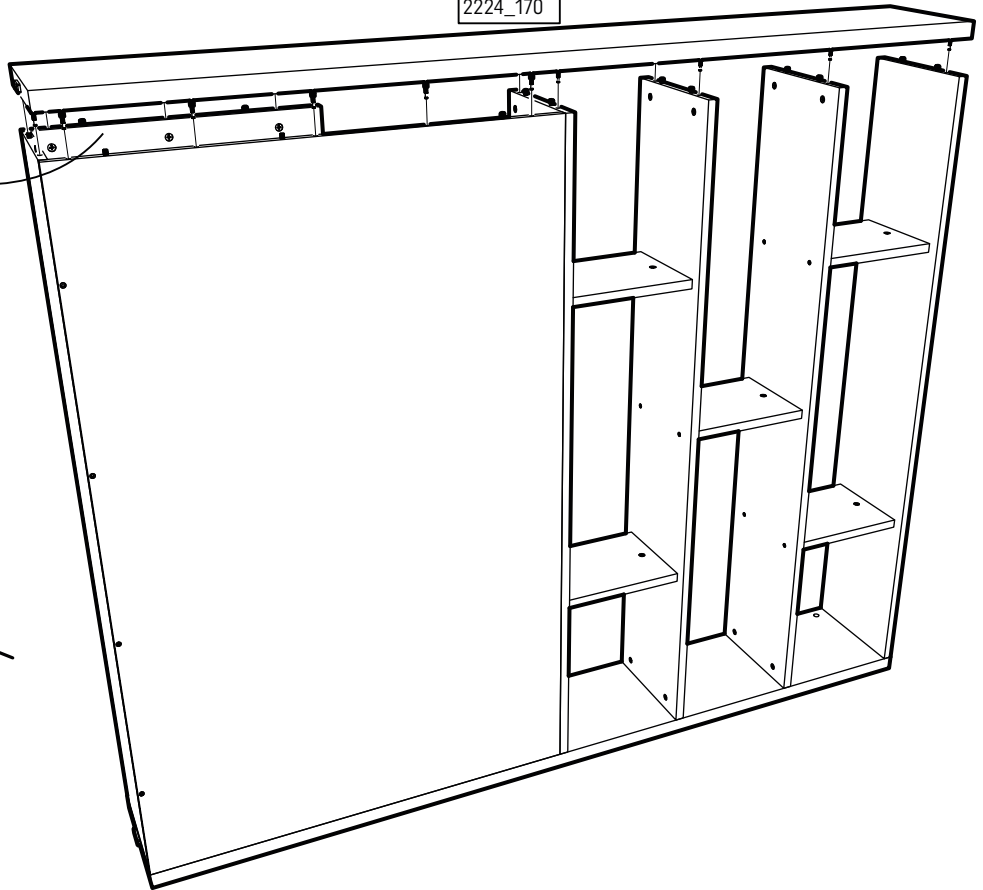
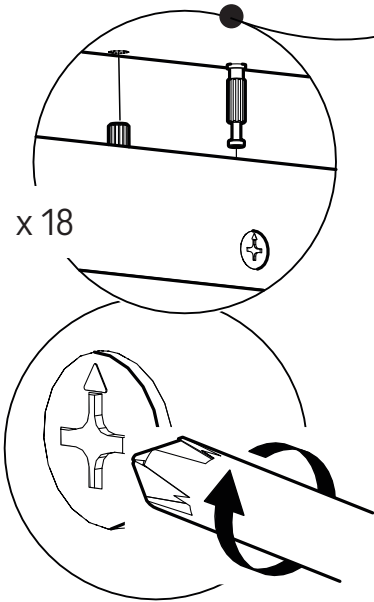
42



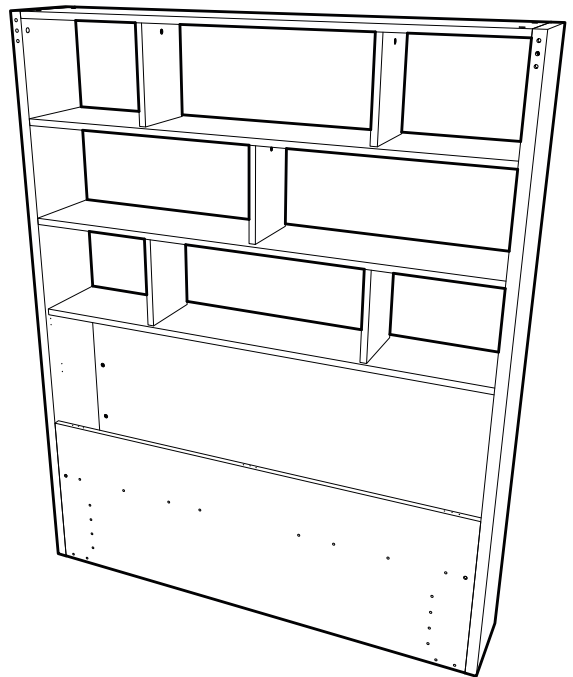
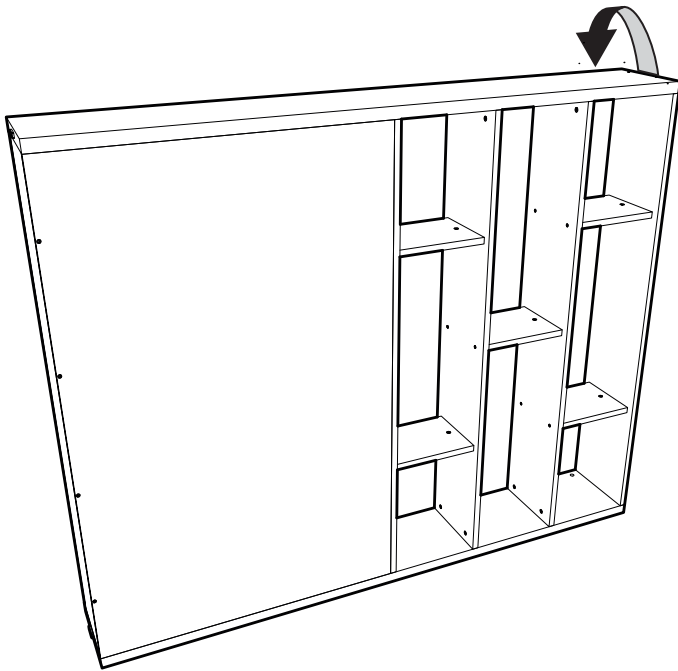
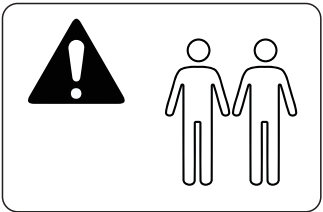
43




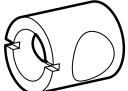
2224_170

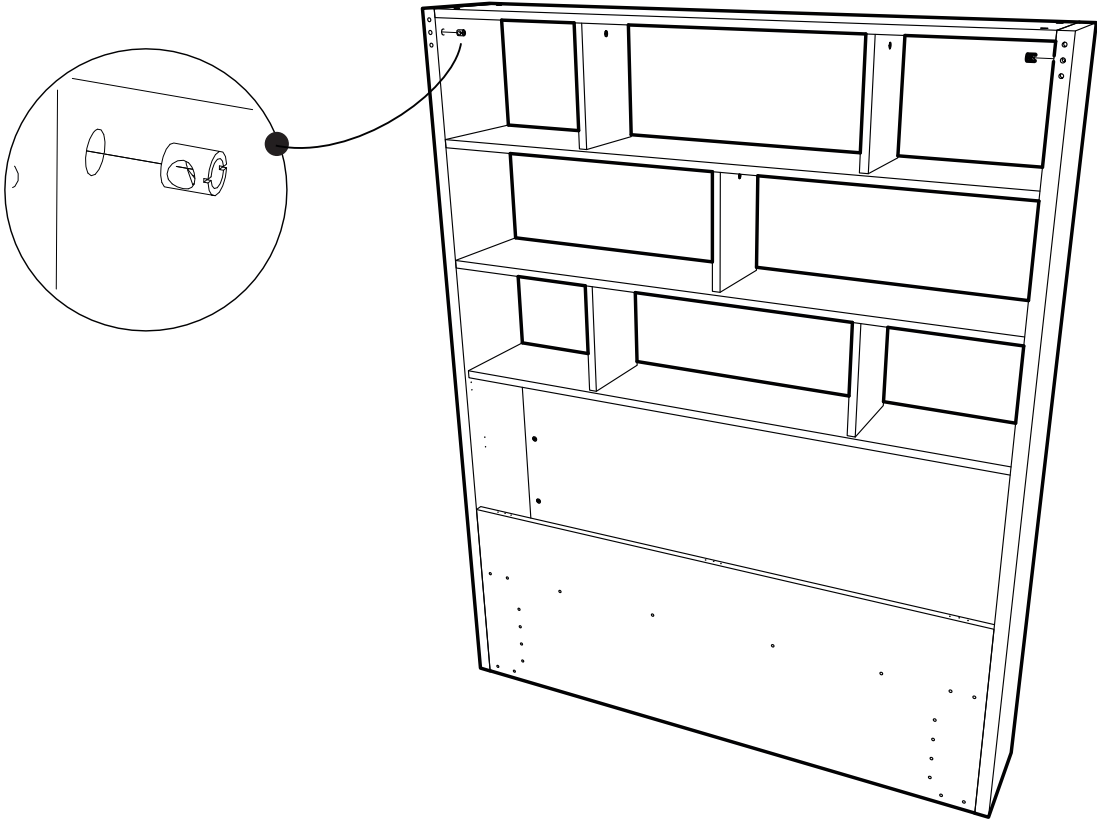


44


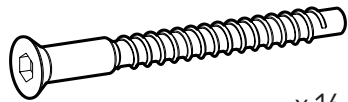


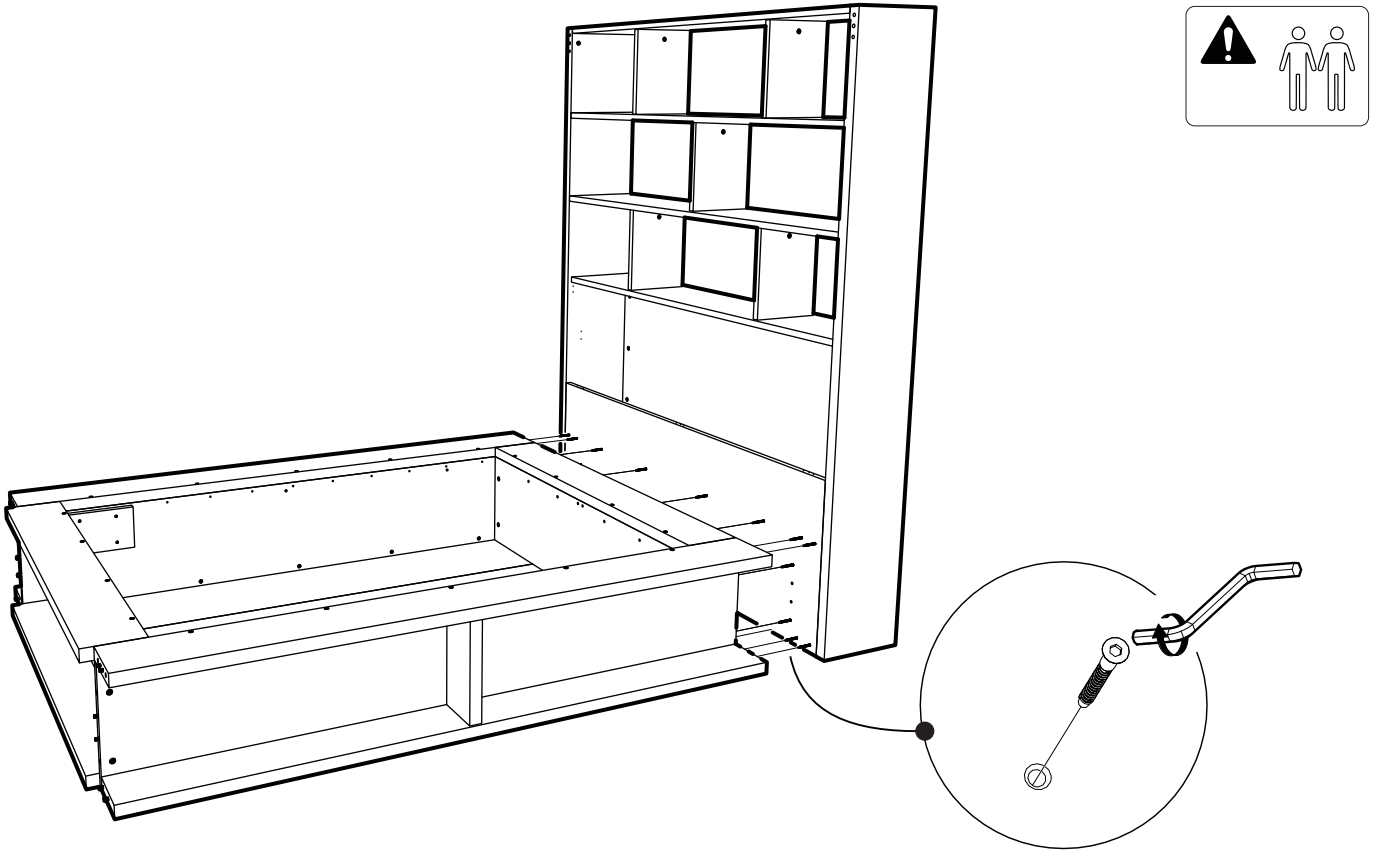
45

	1109473		x 2
--	---------	--	-----

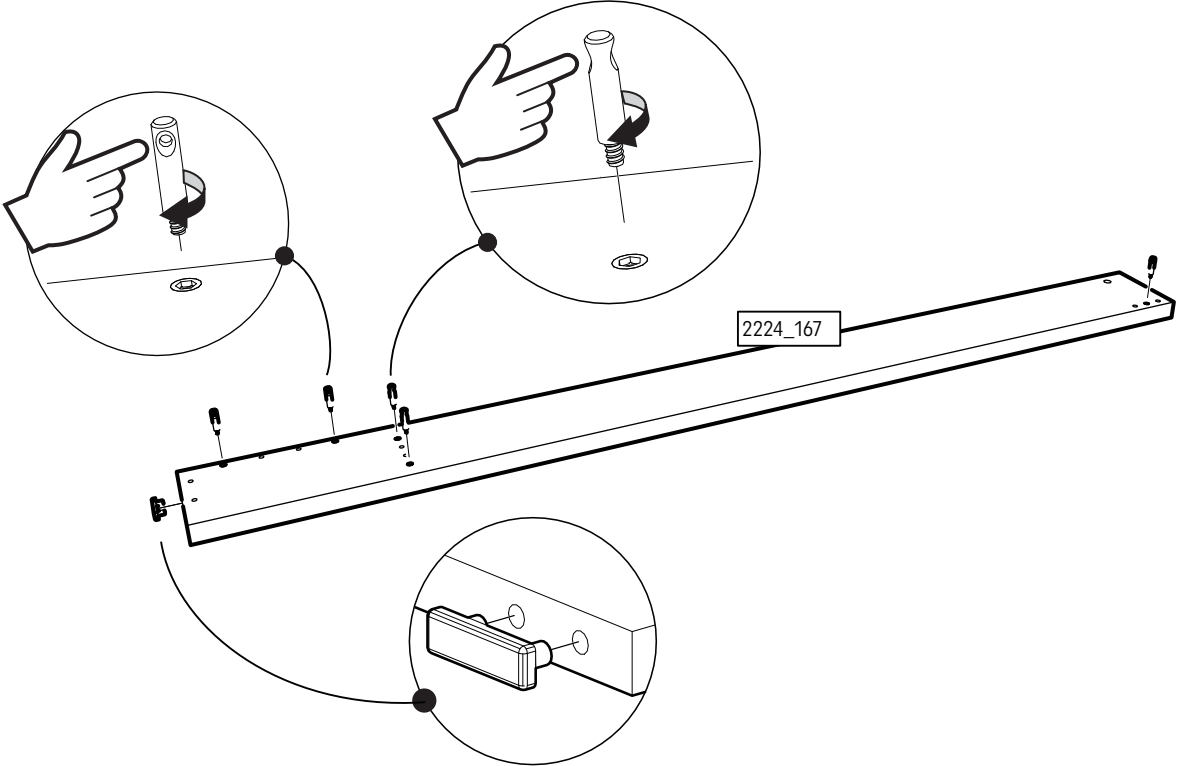
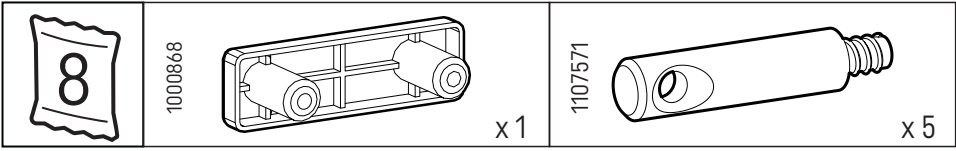


46

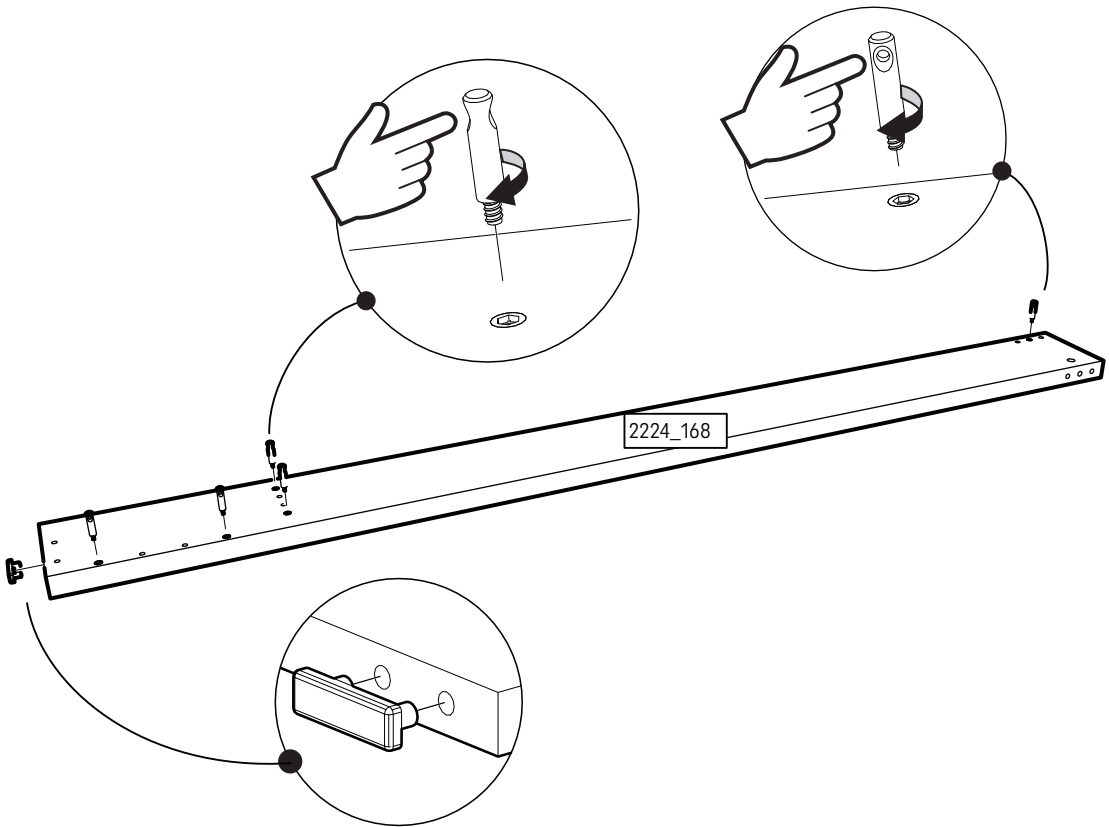
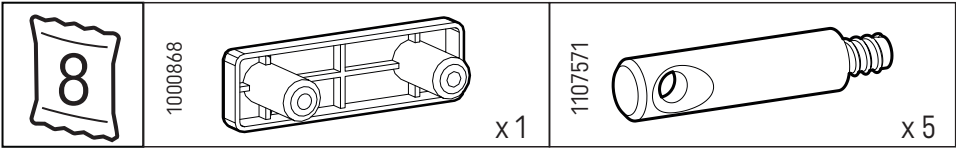
	1005962		x 16
---	---------	---	------



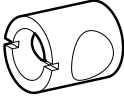
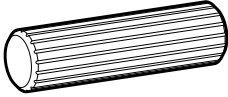
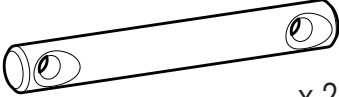

47

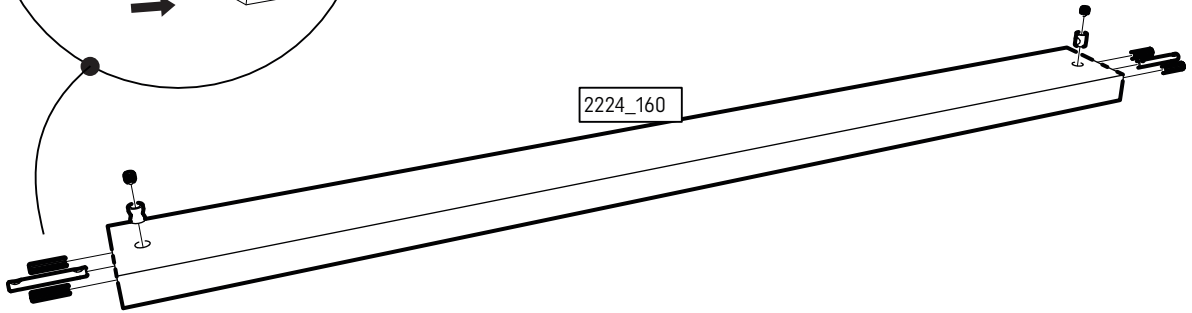
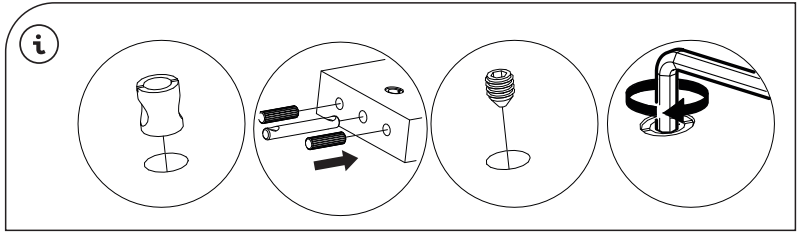
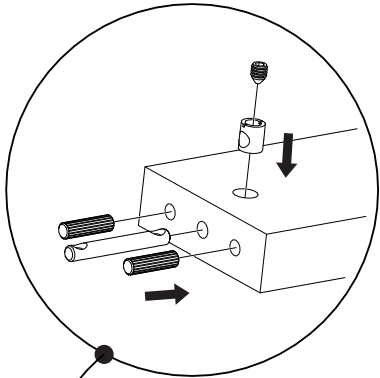


48

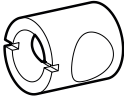



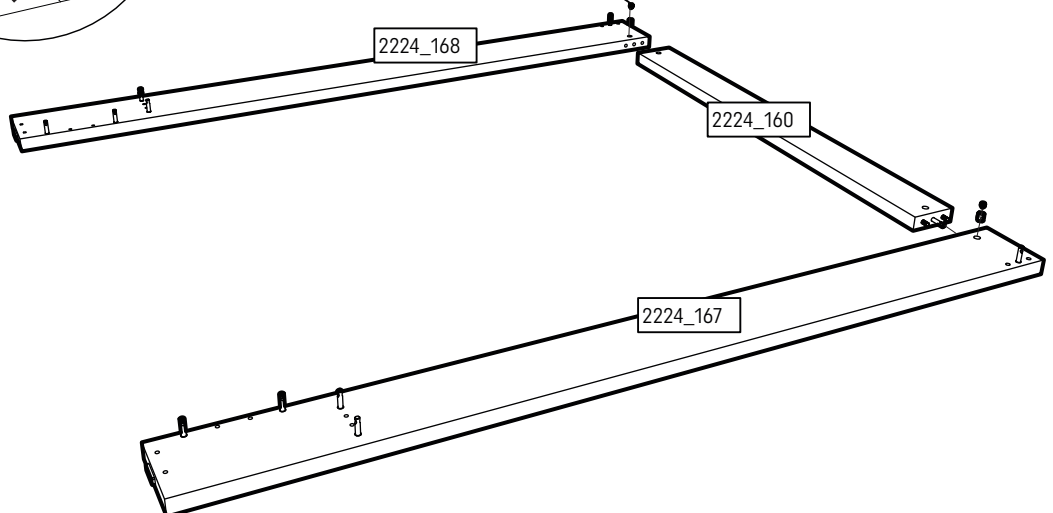
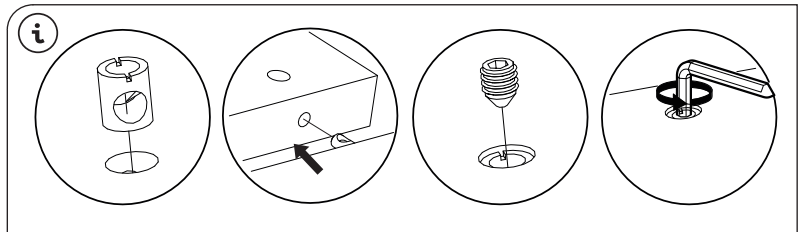
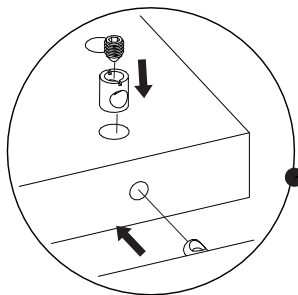
49

9	1109473  x 2	1005863  x 4
	1109475  x 2	1109474  x 2


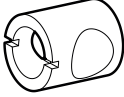



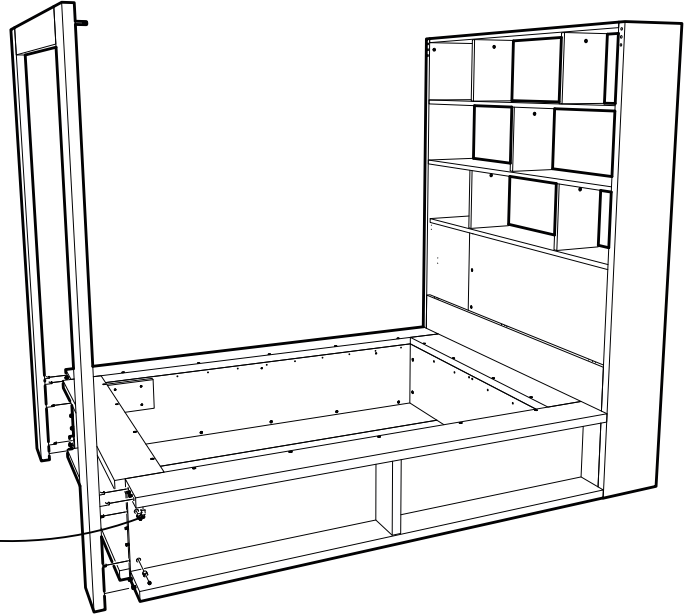
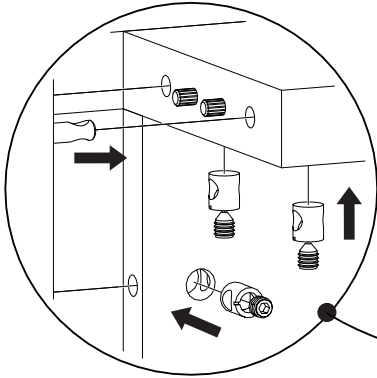
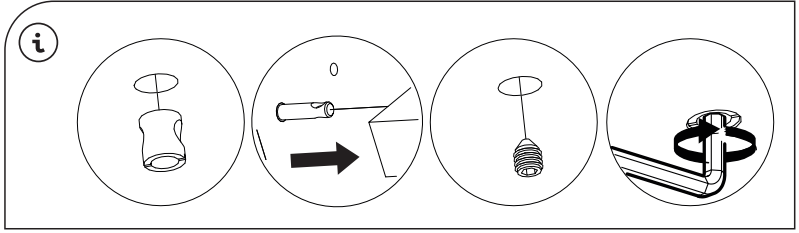
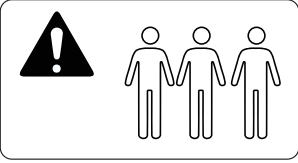
50

9	1109473  x 2	1109474  x 2
---	---	---


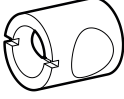
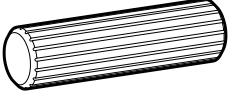




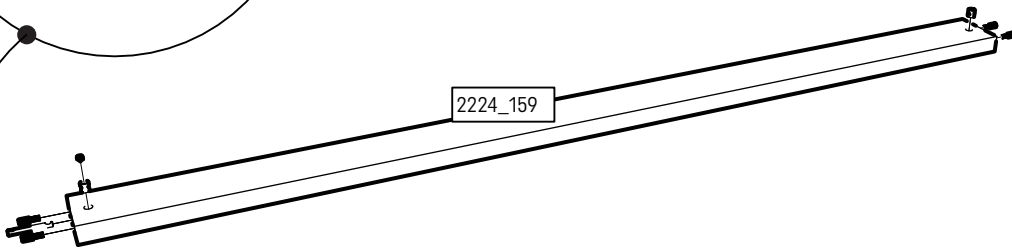
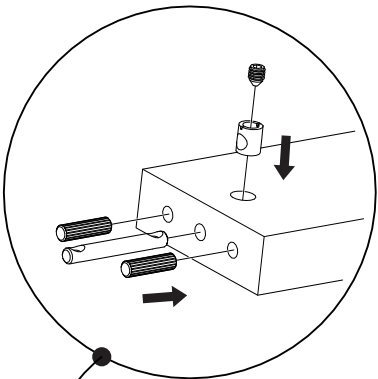
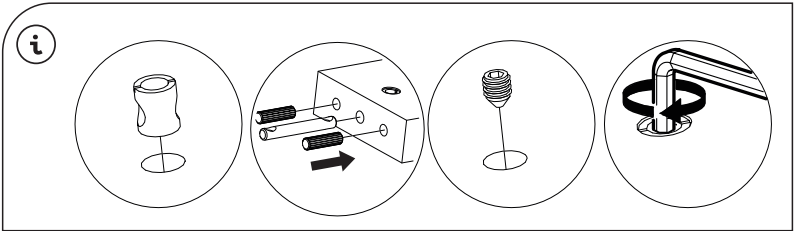
51

	<p>1109473</p>	 <p>x 8</p>	<p>1109474</p>  <p>x 8</p>
--	----------------	---	--



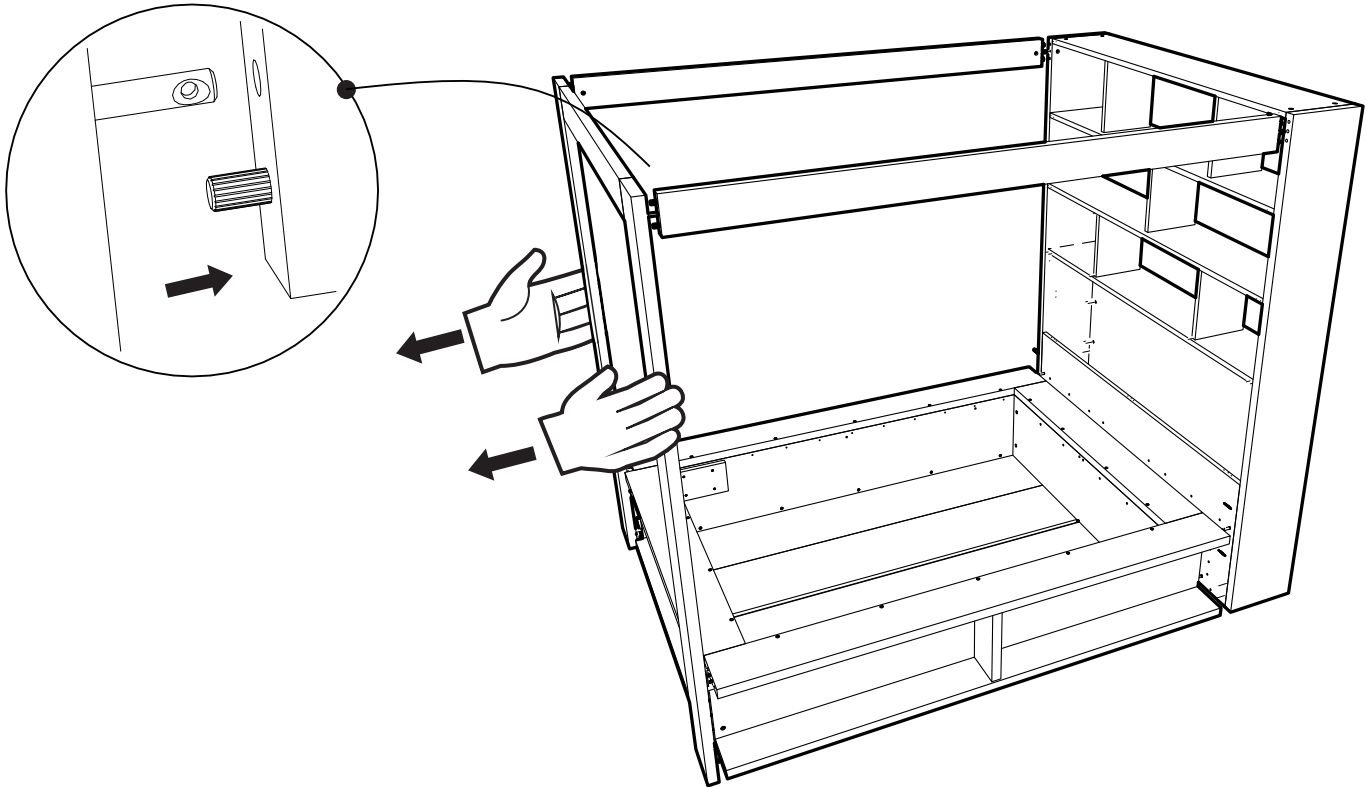
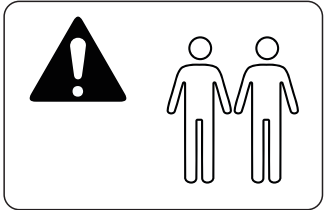
52

	<p>1109473</p>	 <p>x 4</p>	<p>1005863</p>  <p>x 8</p>
<p>1109475</p>  <p>x 2</p>	<p>1109474</p>  <p>x 2</p>		



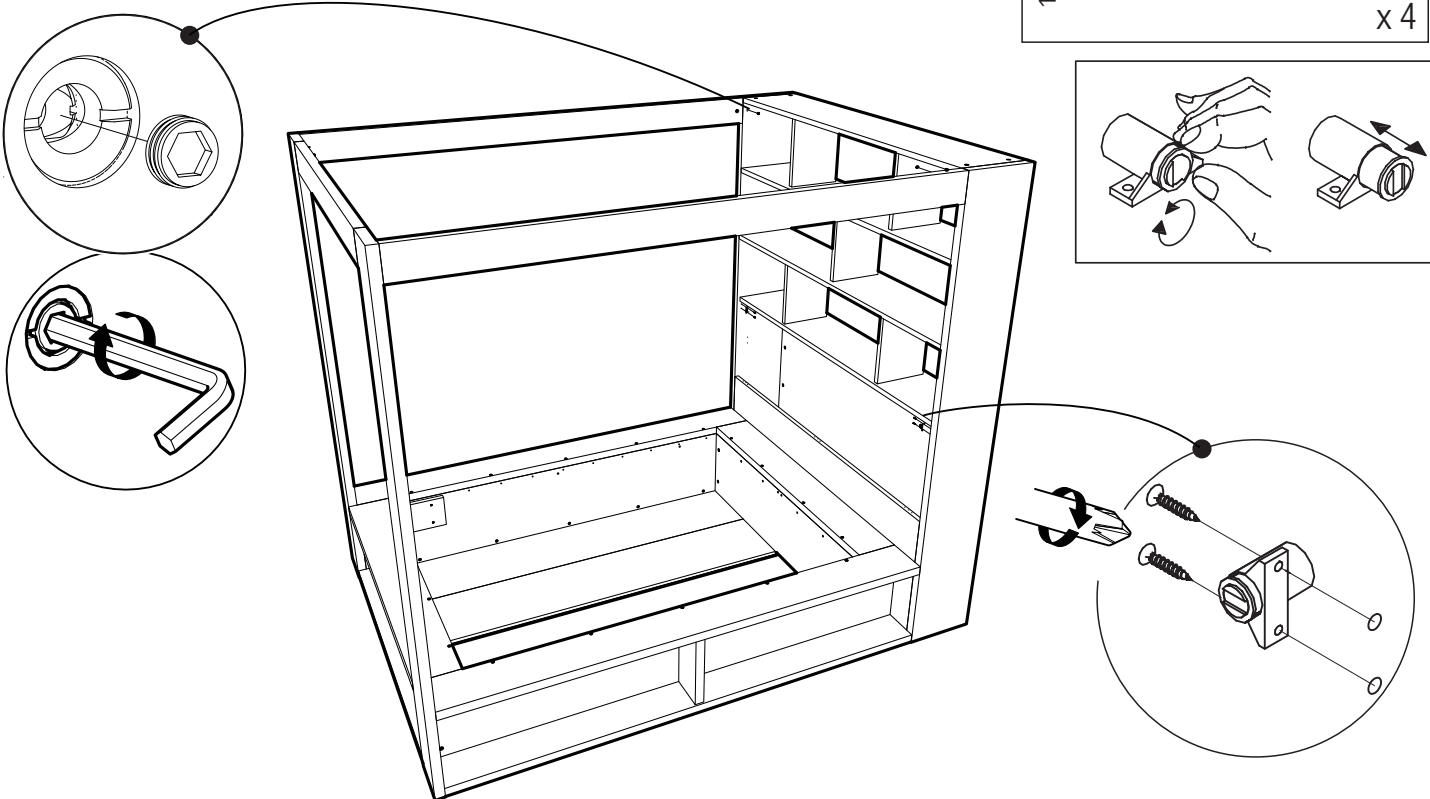
x 2

53


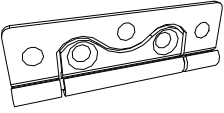
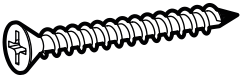



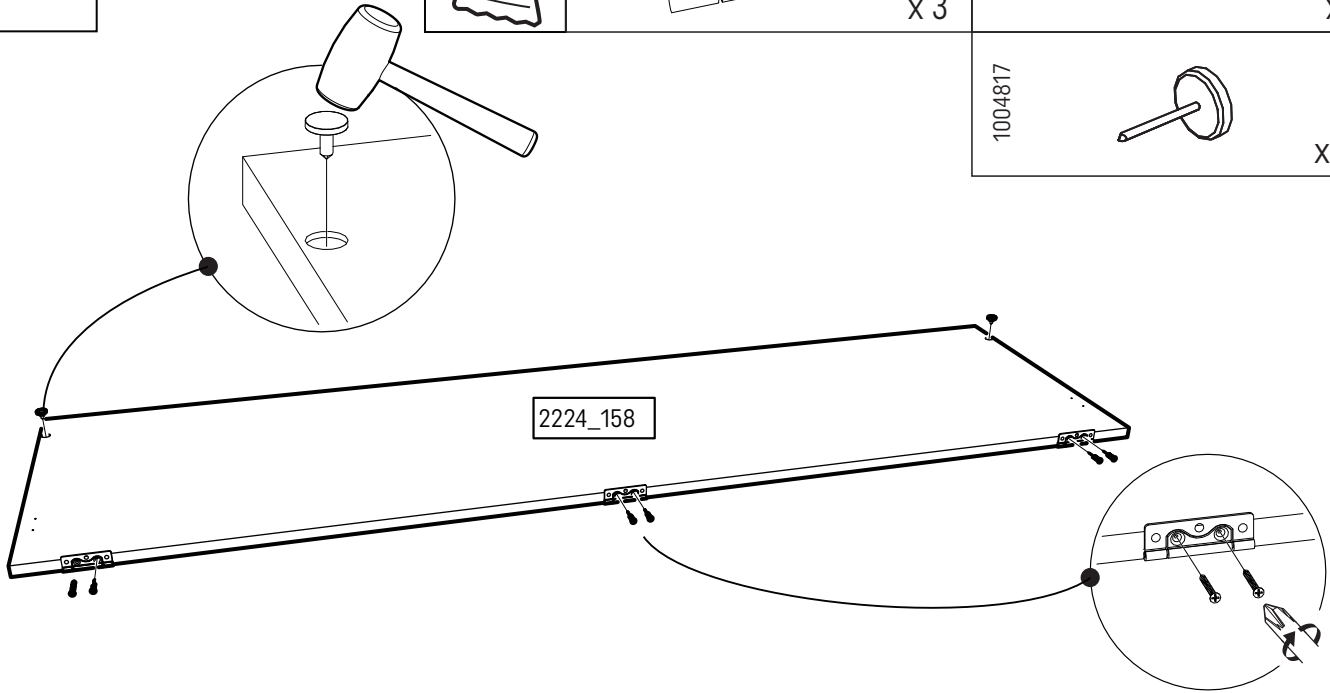
54

	1109474	x 4	1004817 x 2
			1006012 x 4


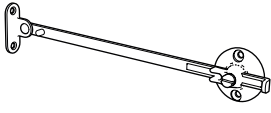




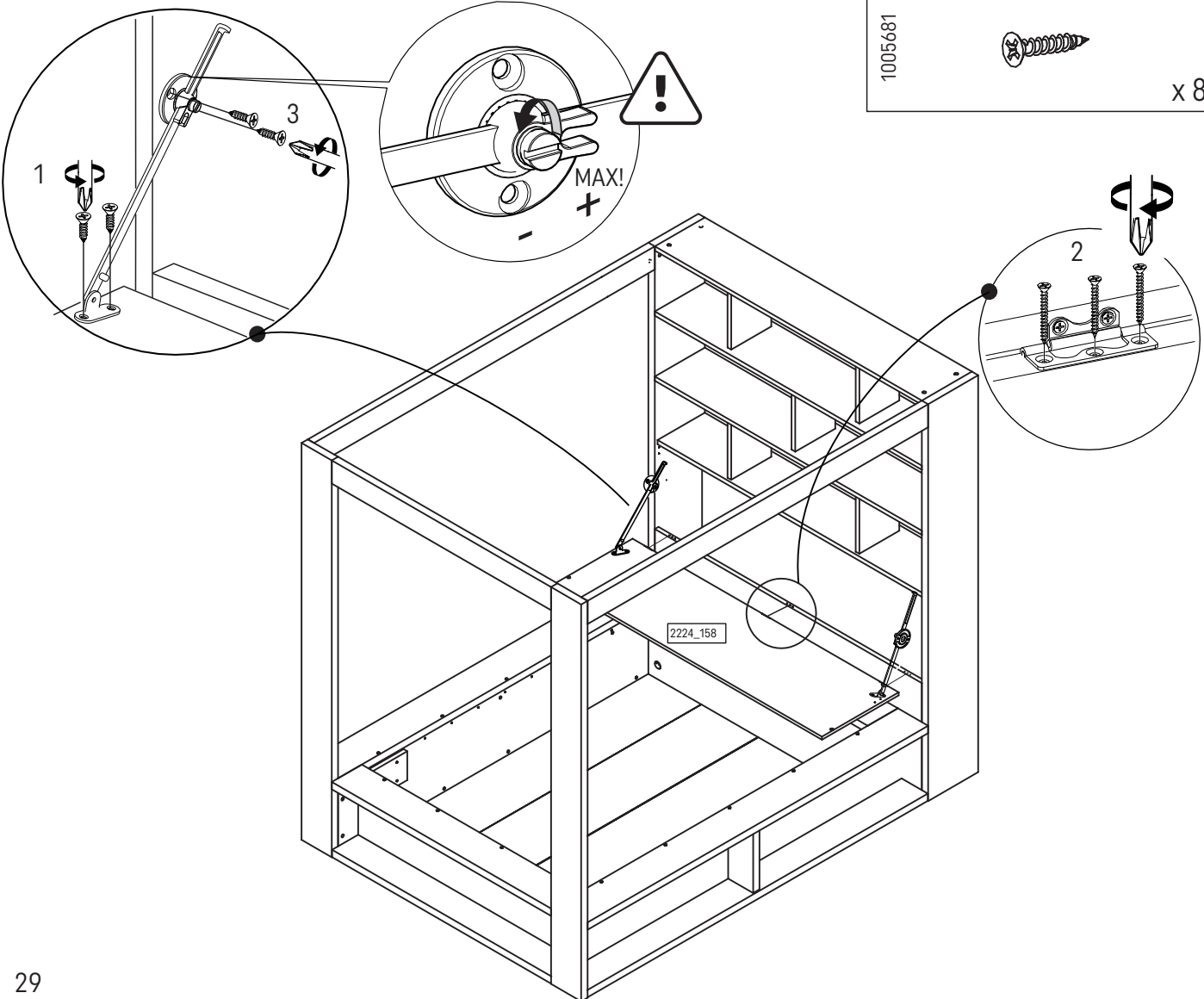
55

	<p>1124582</p>	 <p>x 3</p>	<p>1005368</p>  <p>x 6</p>
		<p>1004817</p>  <p>x 2</p>	



56

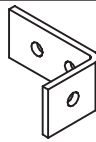
	<p>1128380</p>	 <p>x 2</p>	<p>1005368</p>  <p>x 9</p>
		<p>1005681</p>  <p>x 8</p>	



57

11

1100795

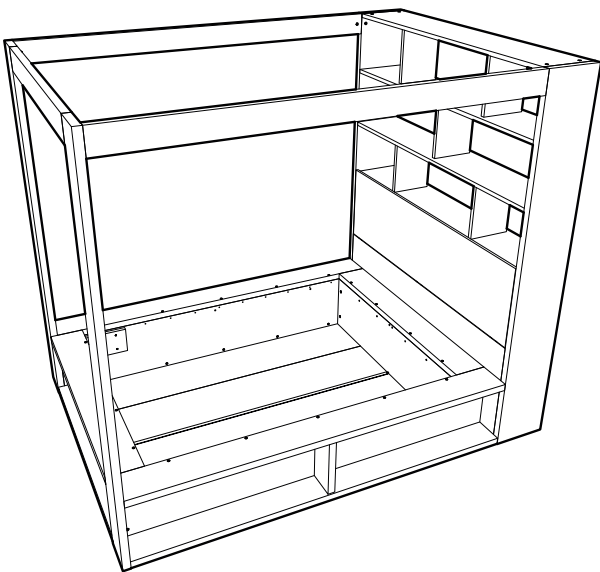
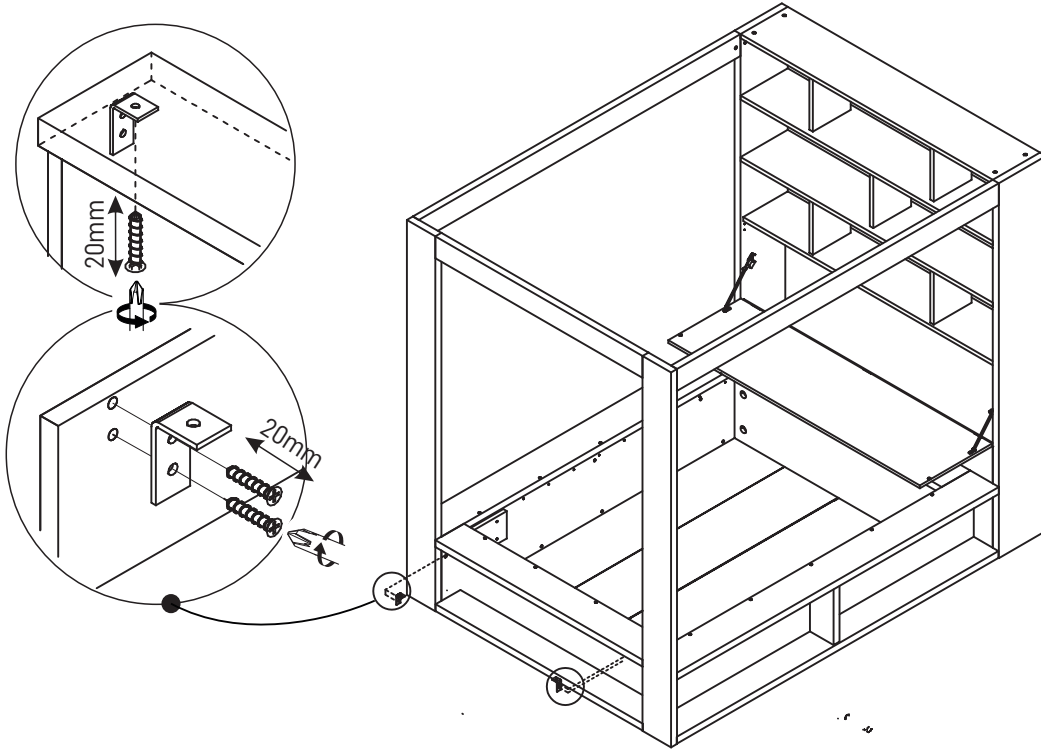


x 2

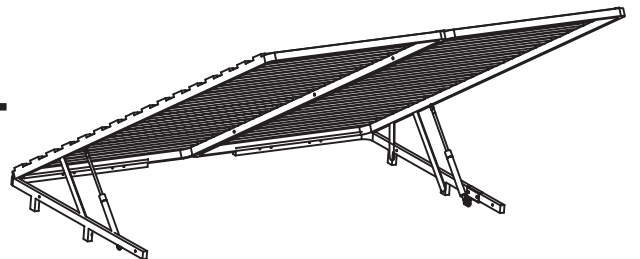
1008908



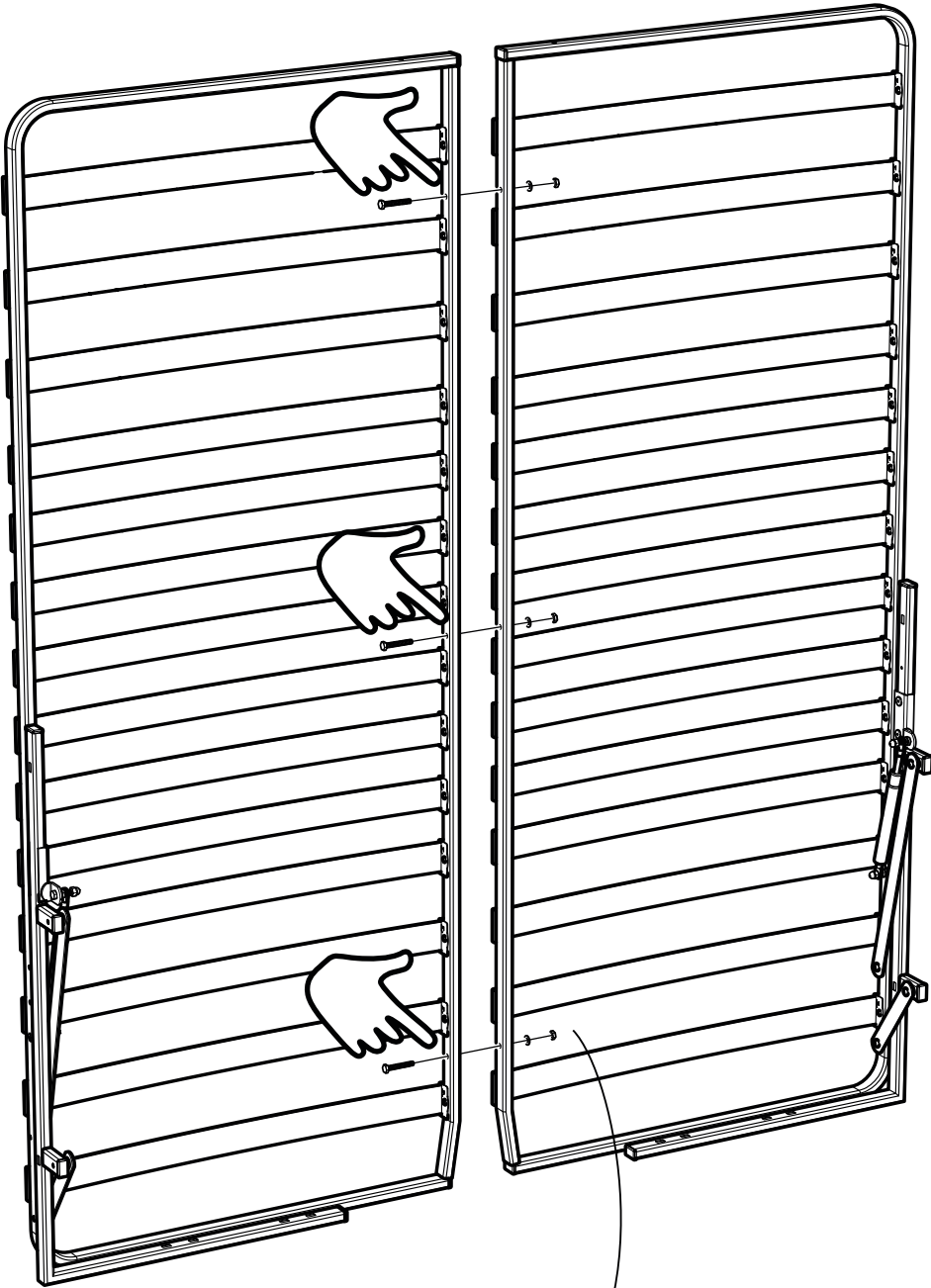
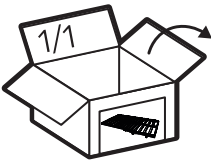
x 6

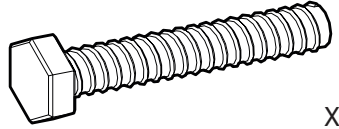
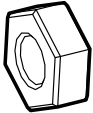




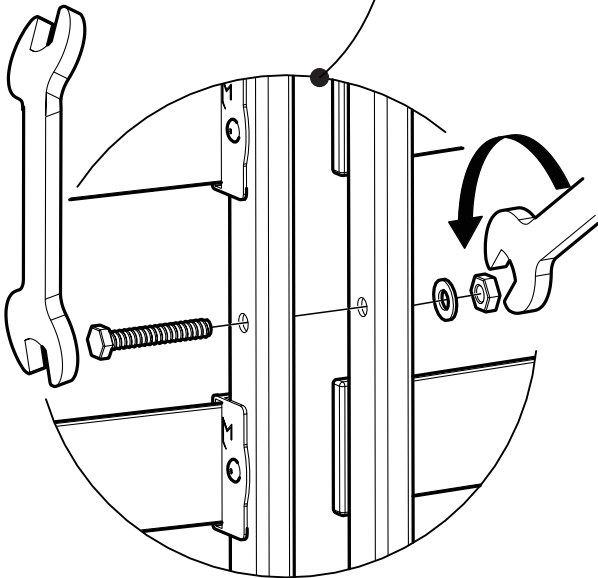
+



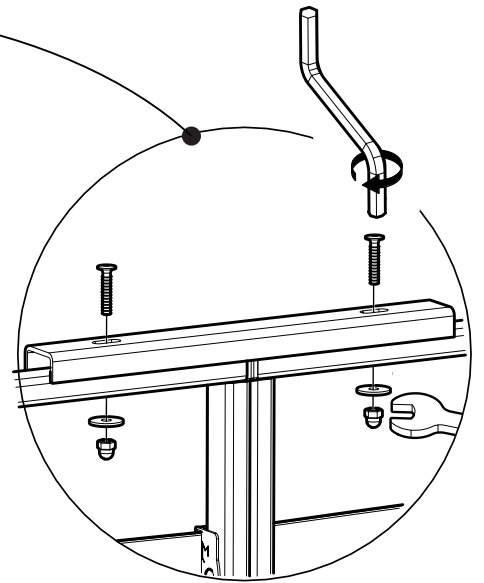
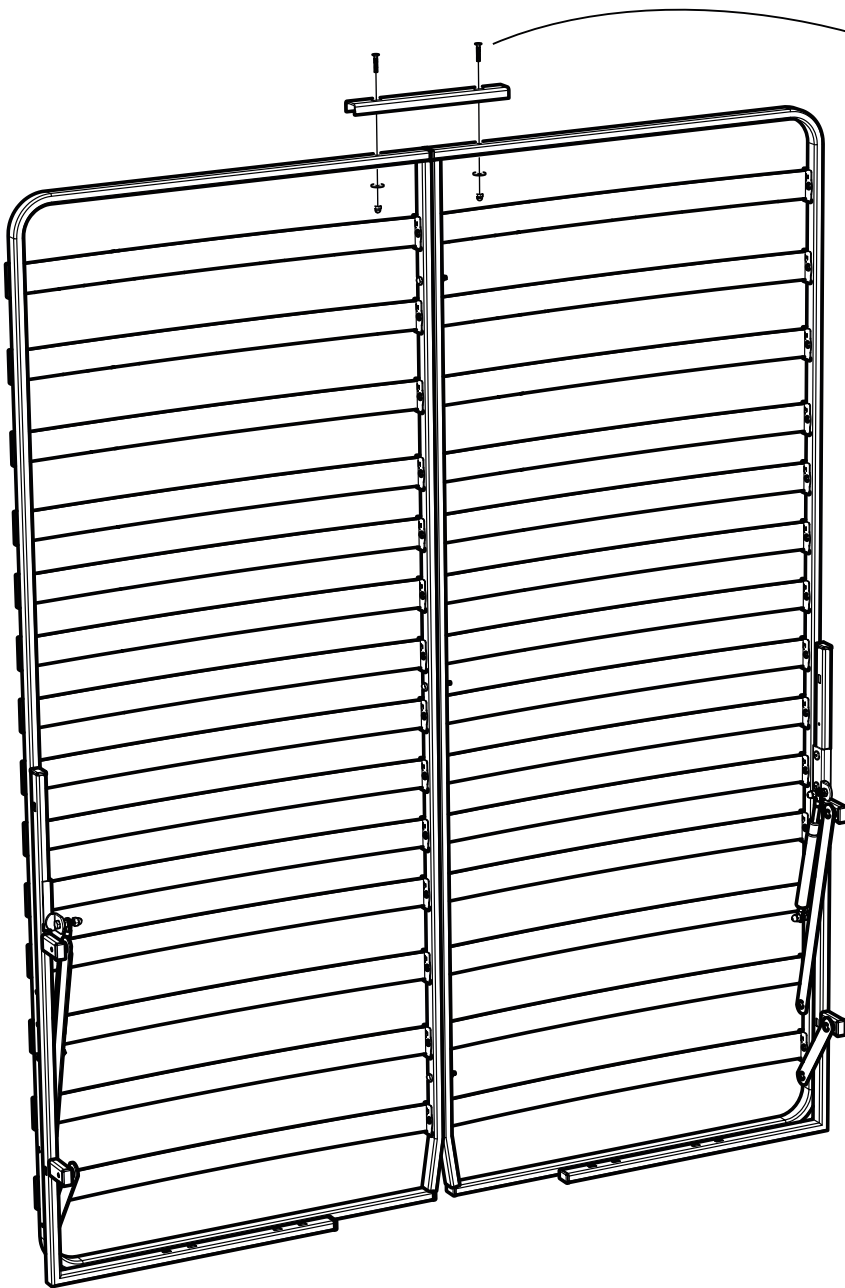
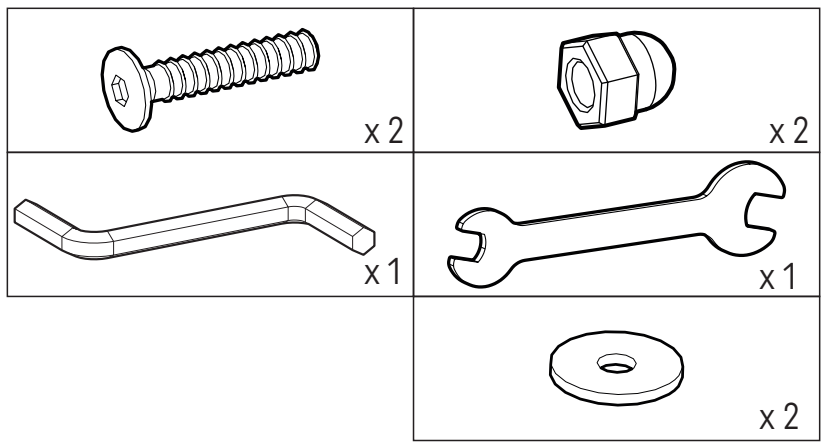
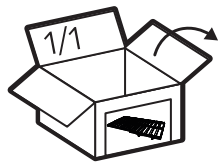
58



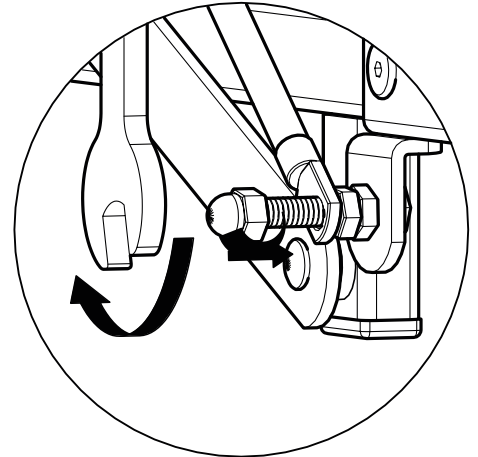
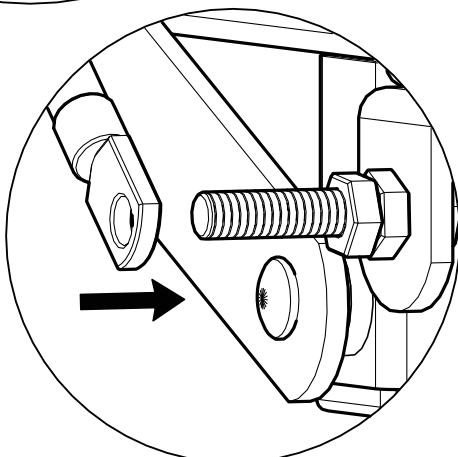
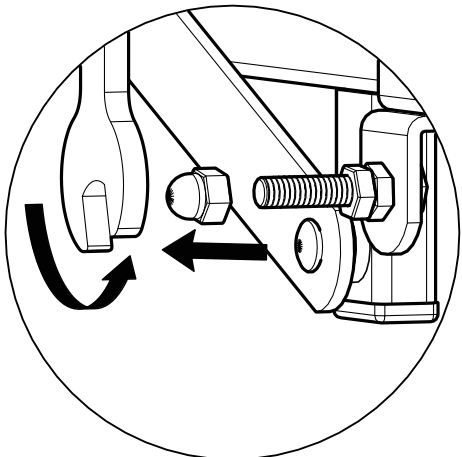
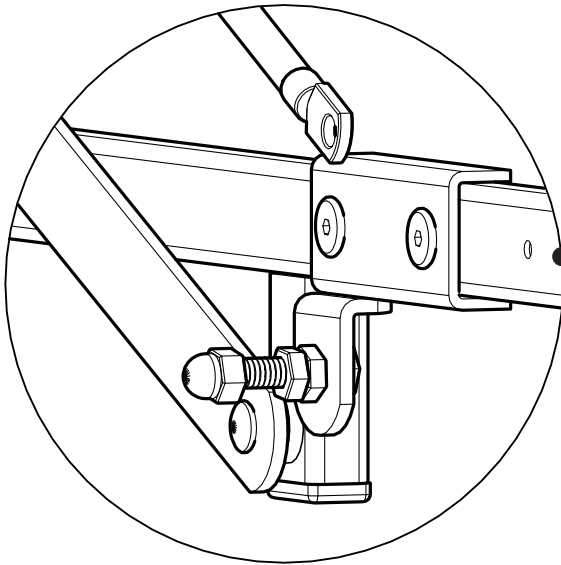
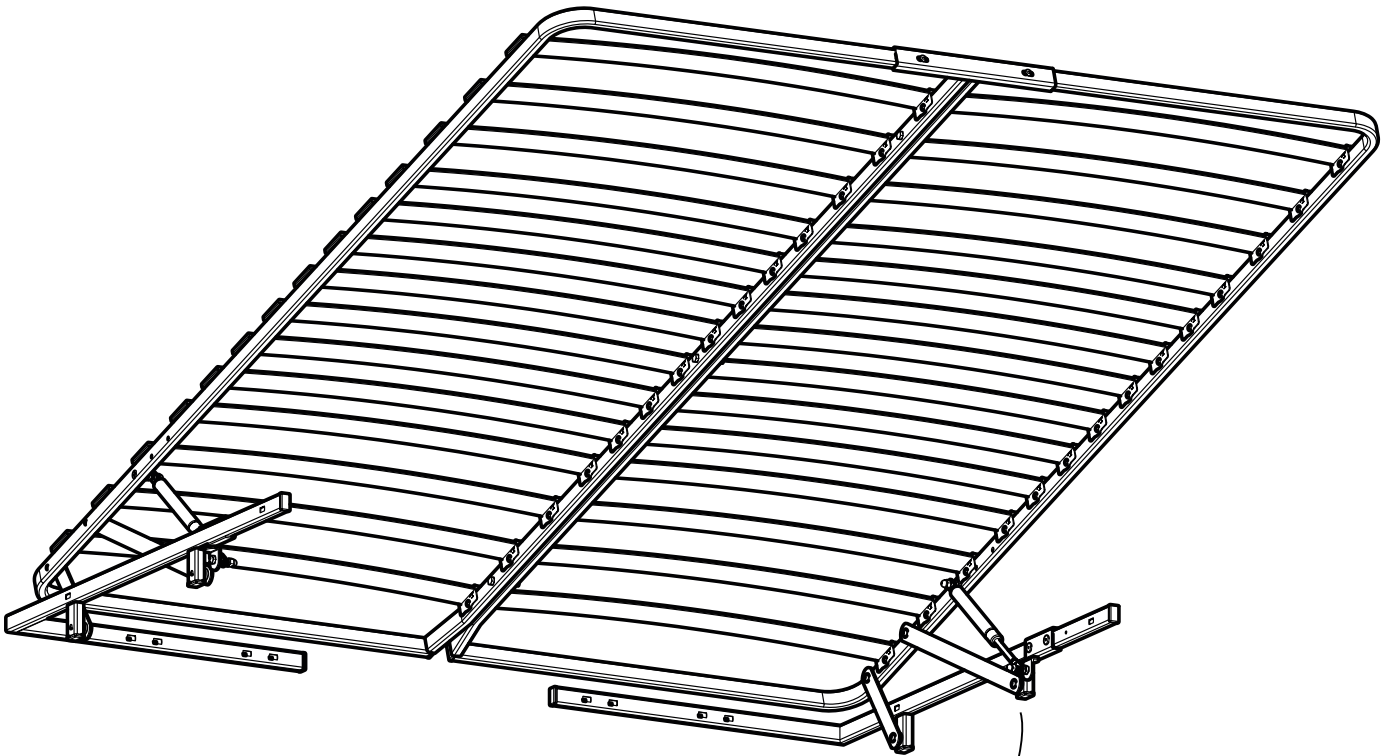
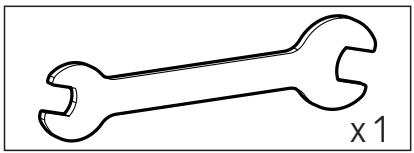
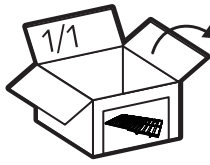
-  x 3
-  x 3
-  x 3
-  x 2

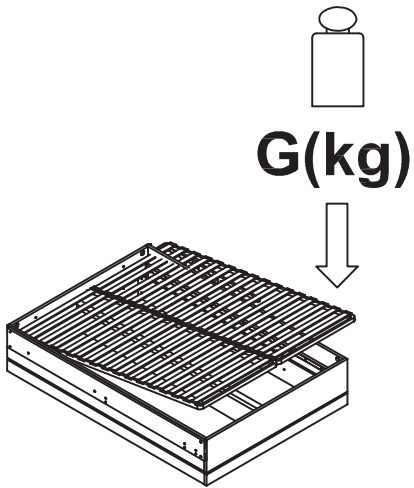


59



60

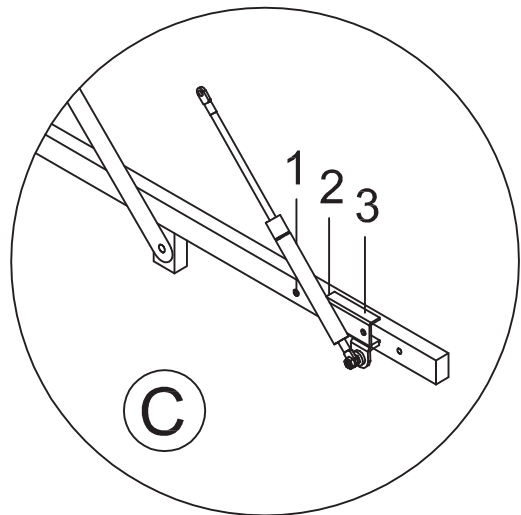
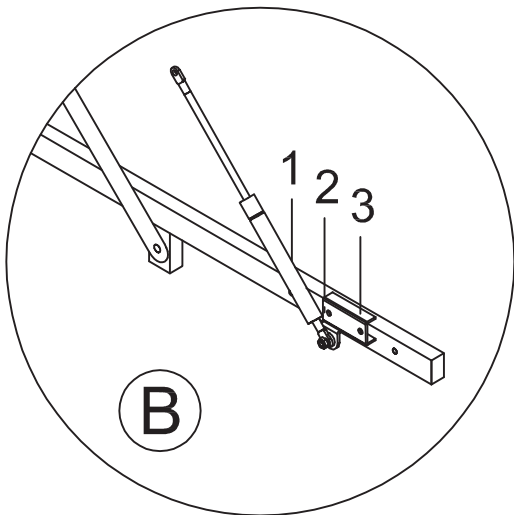
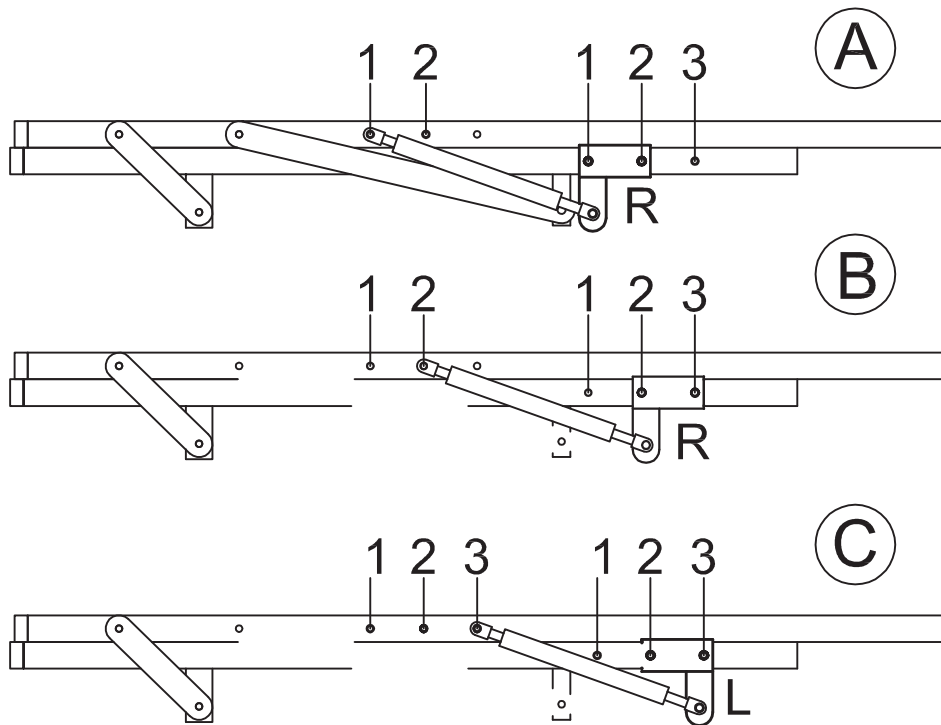






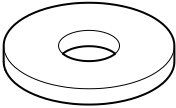
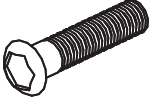
(A) 1 - 1 G - MAX 40 kg

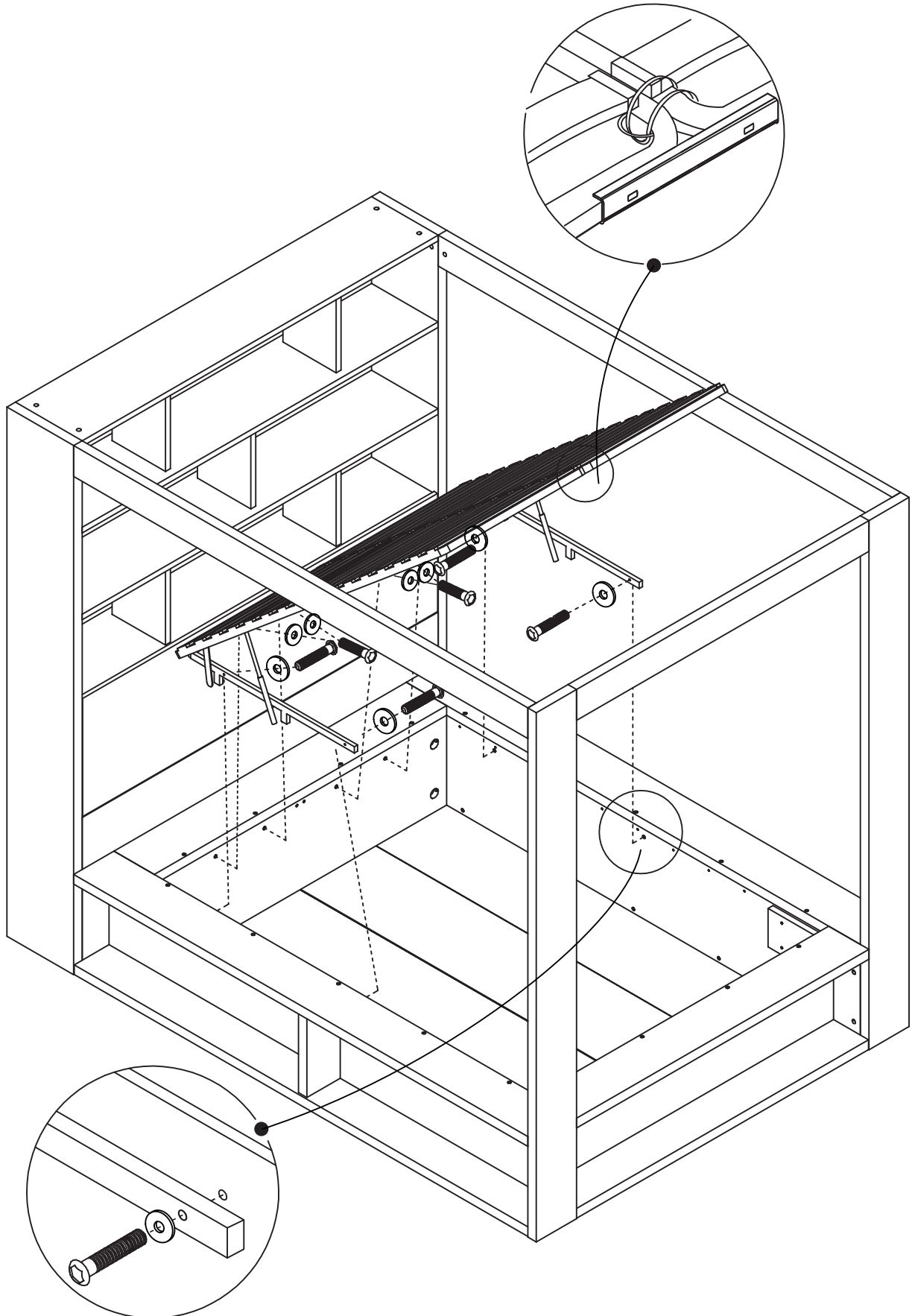
(B) 2 - 2 G - MAX 50 kg

(C) 3 - 3 G - MAX 60 kg

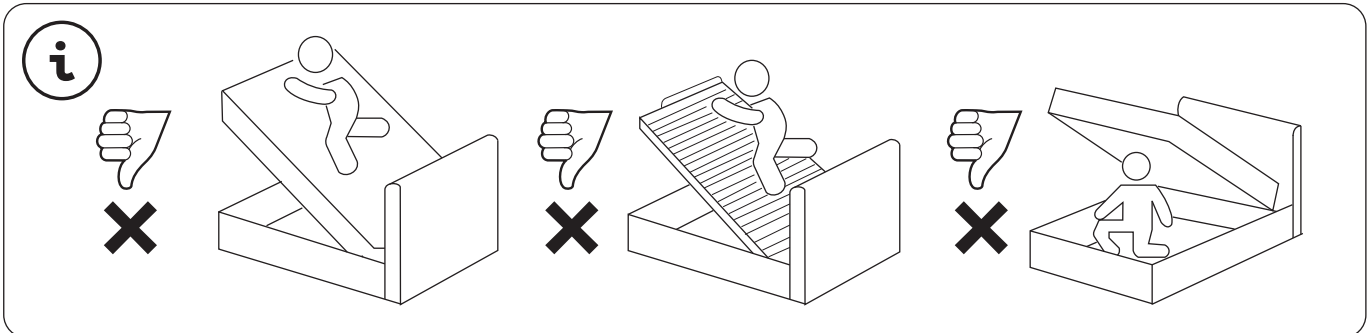
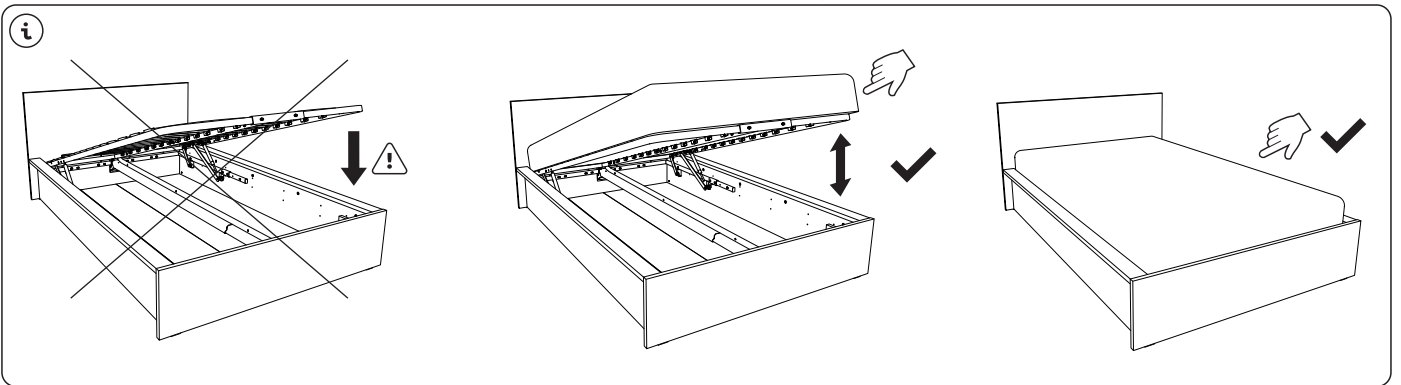
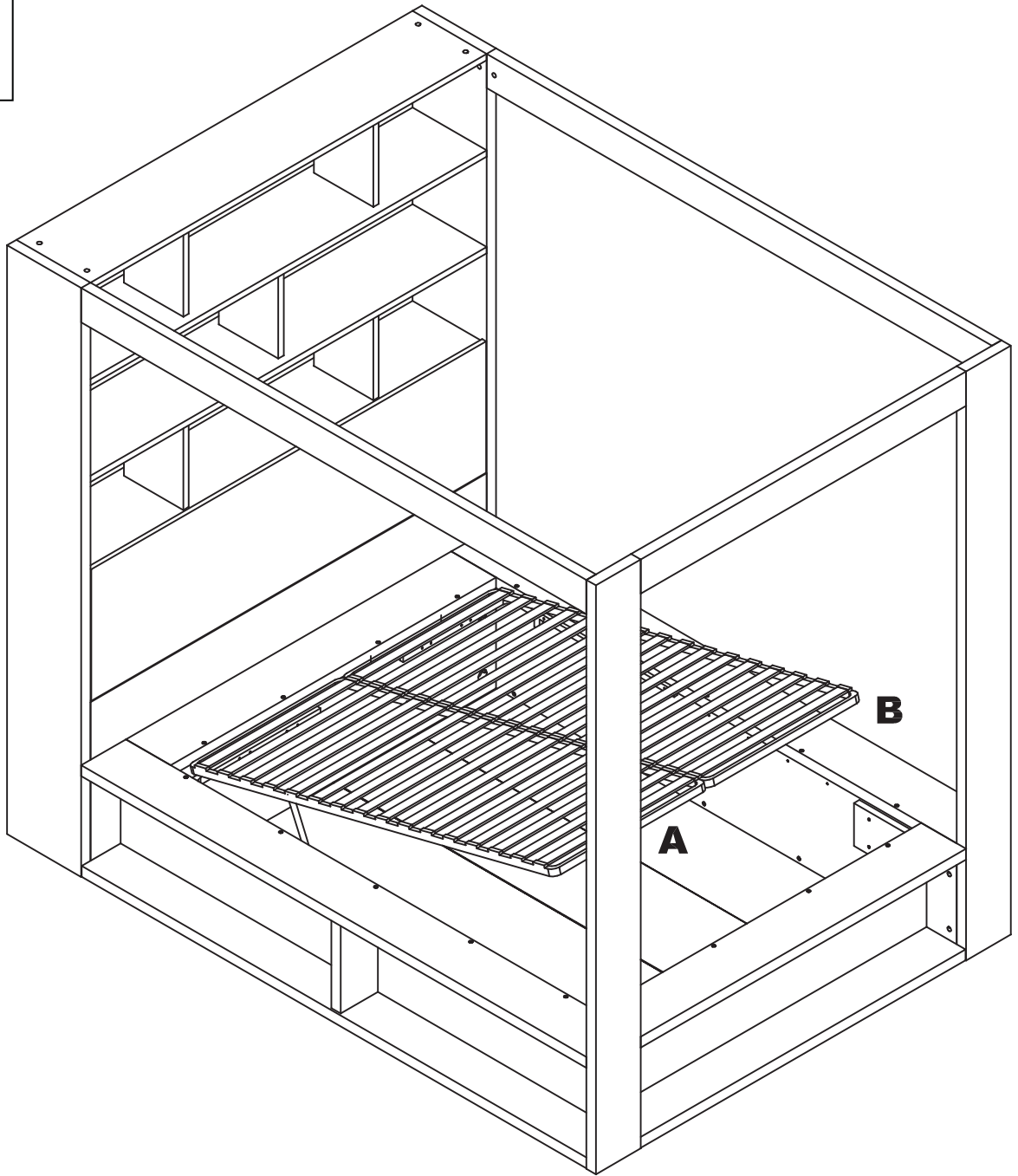


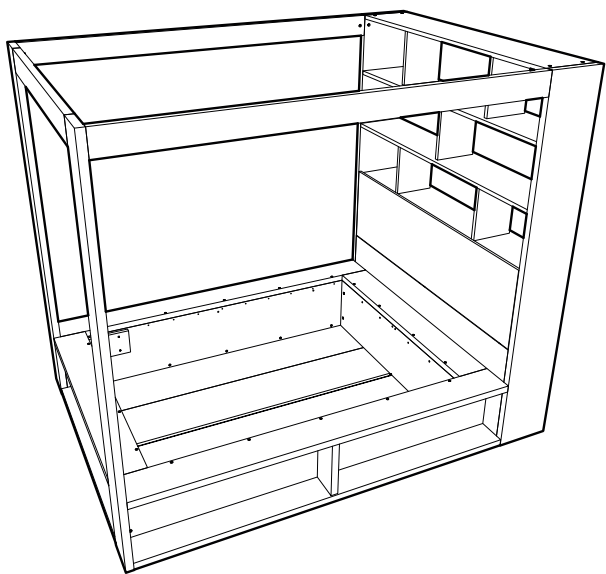
62

 <p>12</p>	<p>1000192</p>	 <p>x1</p>	<p>1006103</p>	 <p>x8</p>
			<p>1005395</p>	 <p>x8</p>

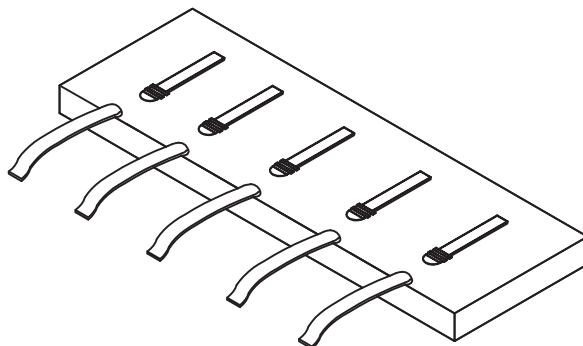


63





+



64

