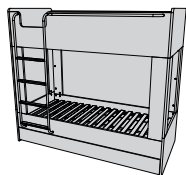


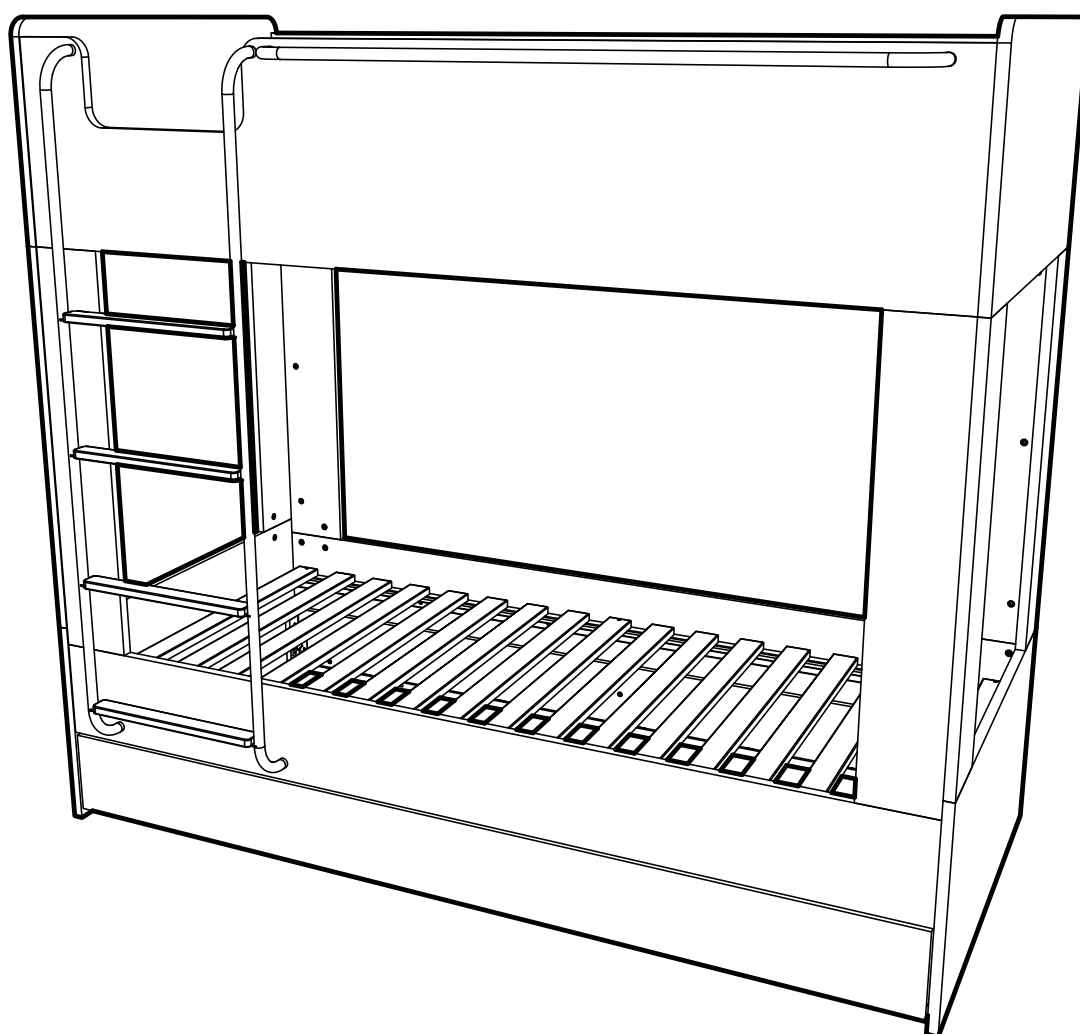
RELI

VOX

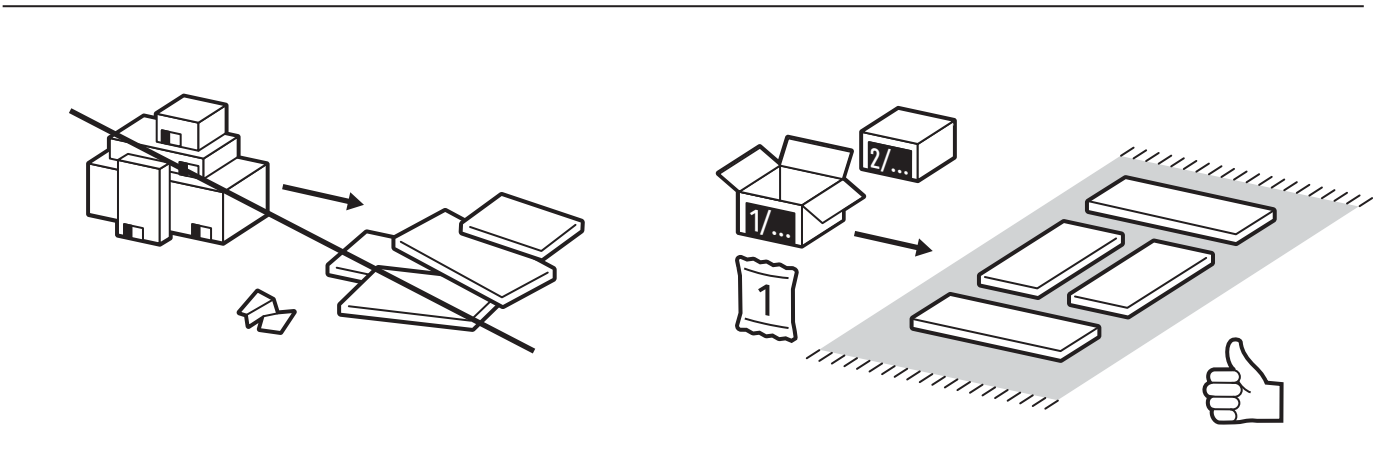
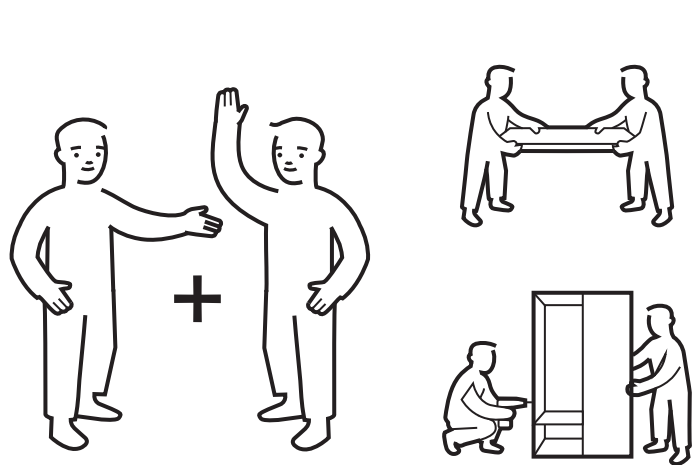
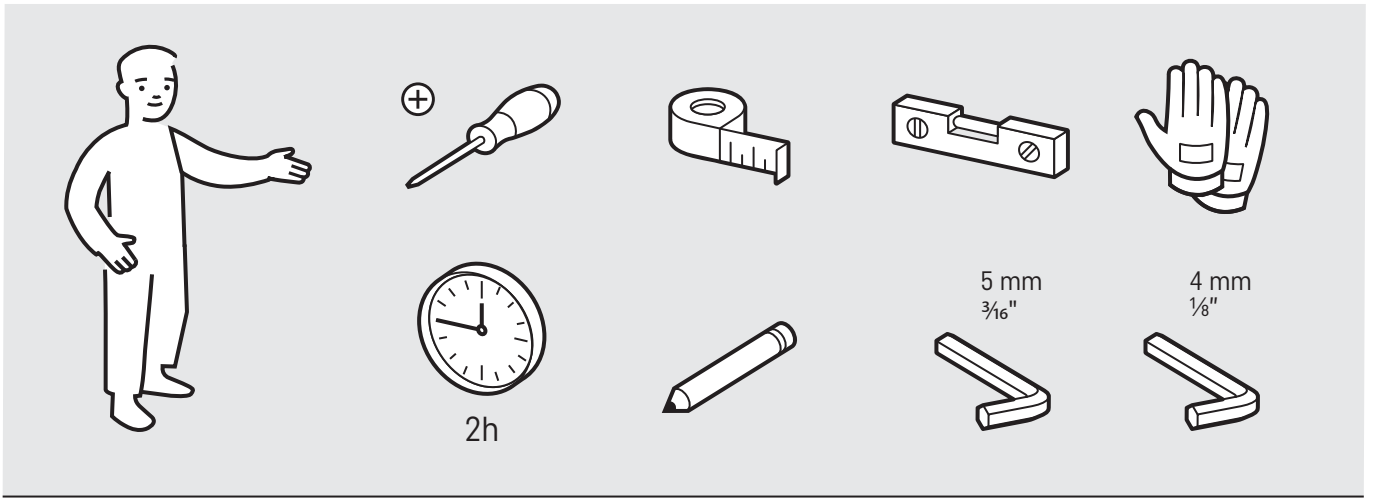
4022883_002

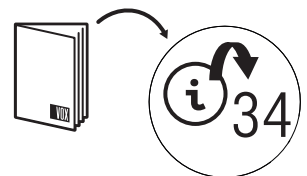
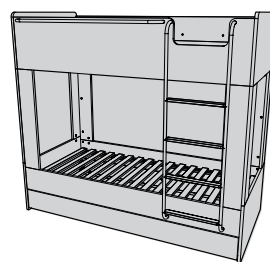
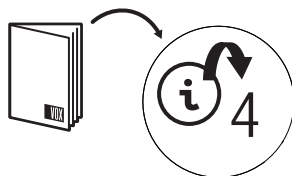
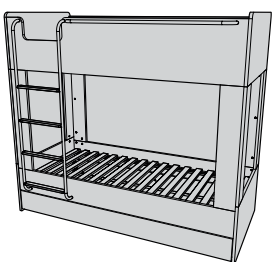
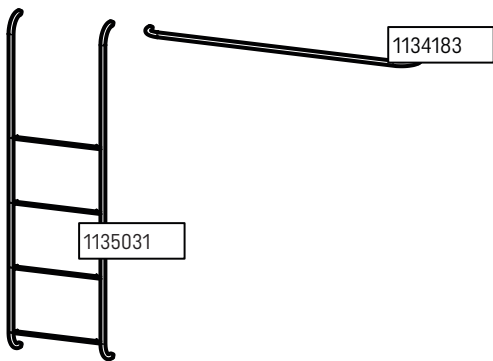
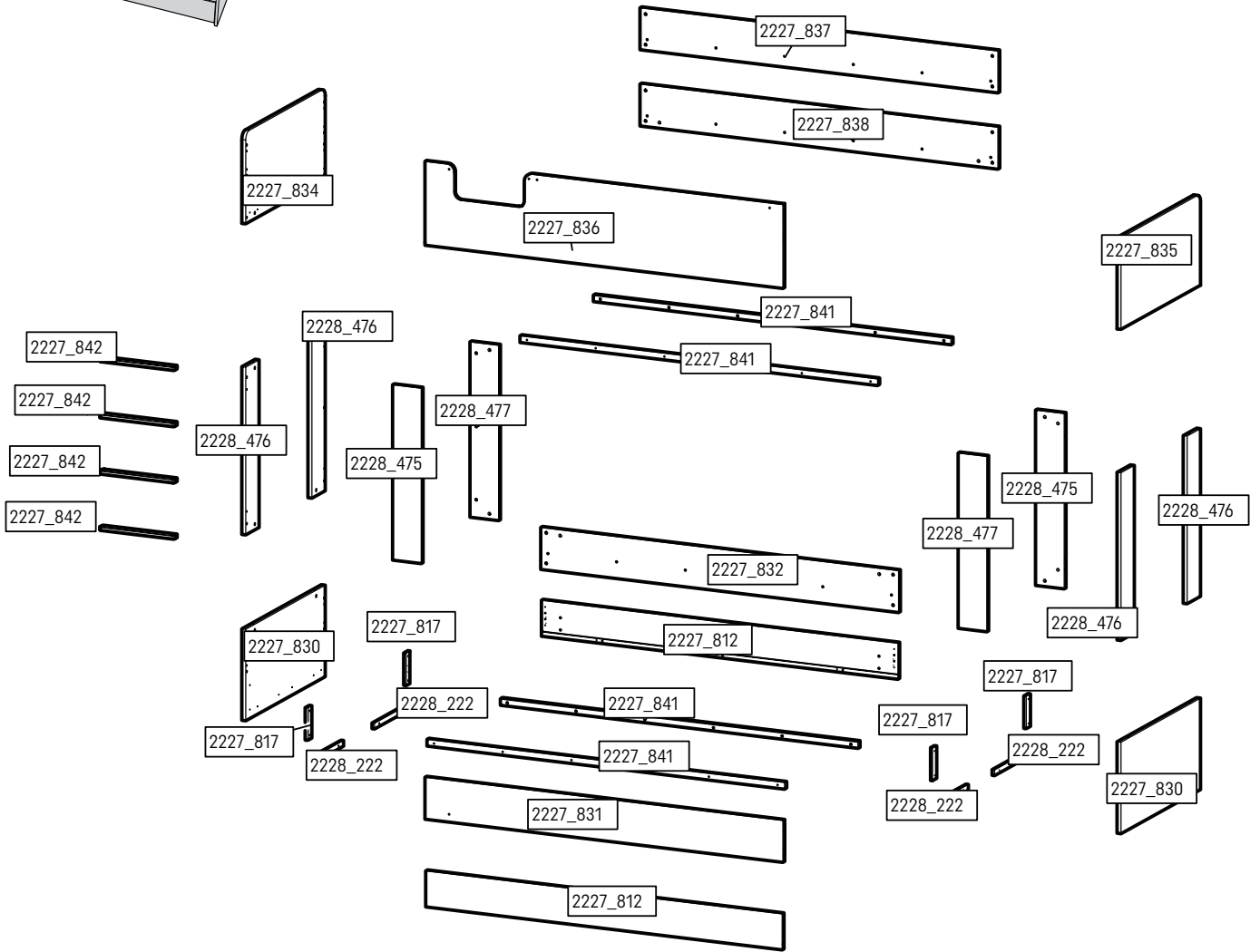
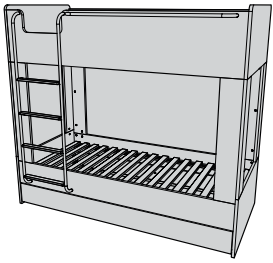


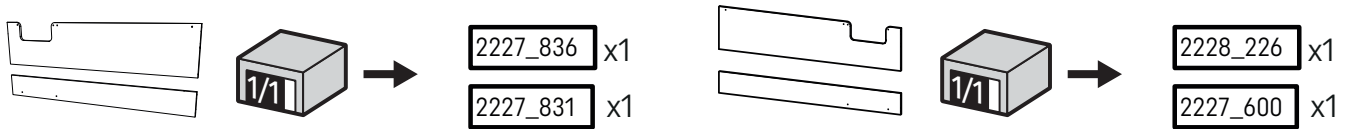
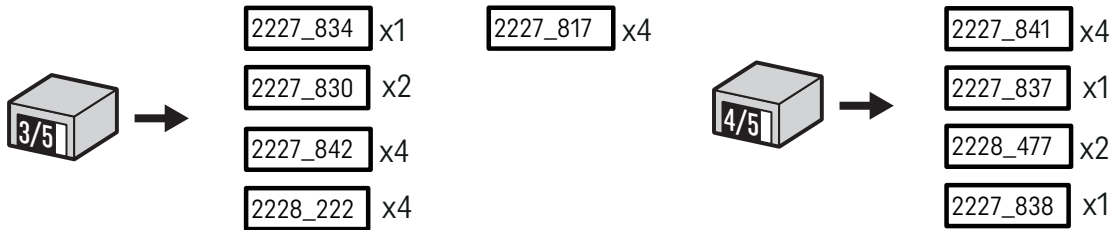
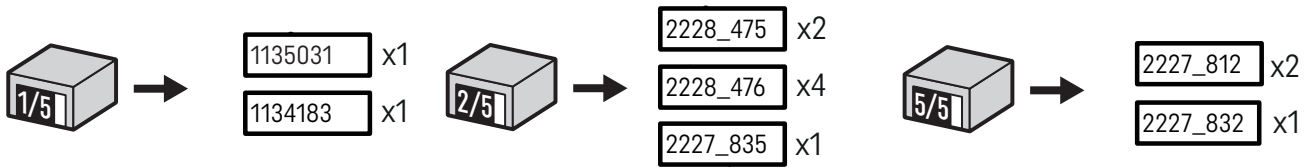
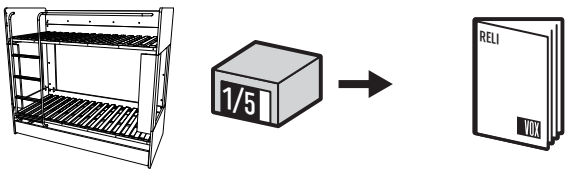
204,5x106/95,5x181,5/49 cm
80 1/2x41 3/4/37 1/2 x71 1/2/19 1/4"



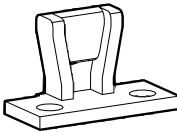
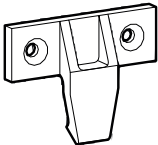
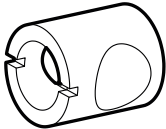
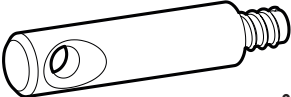
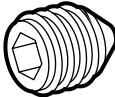
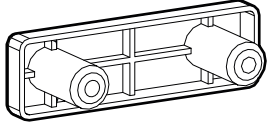
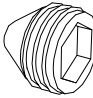
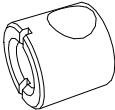
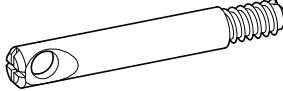

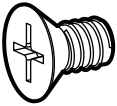

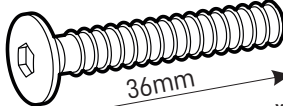
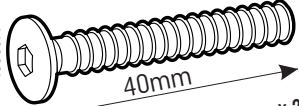


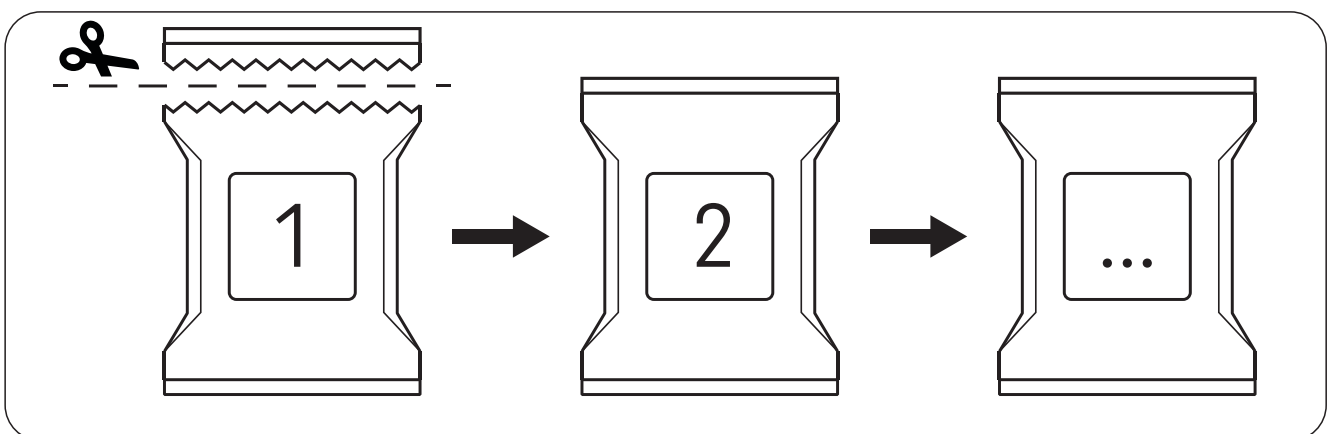
PL • vox.pl
EU • voxfurniture.com
US • voelkelcorp.com



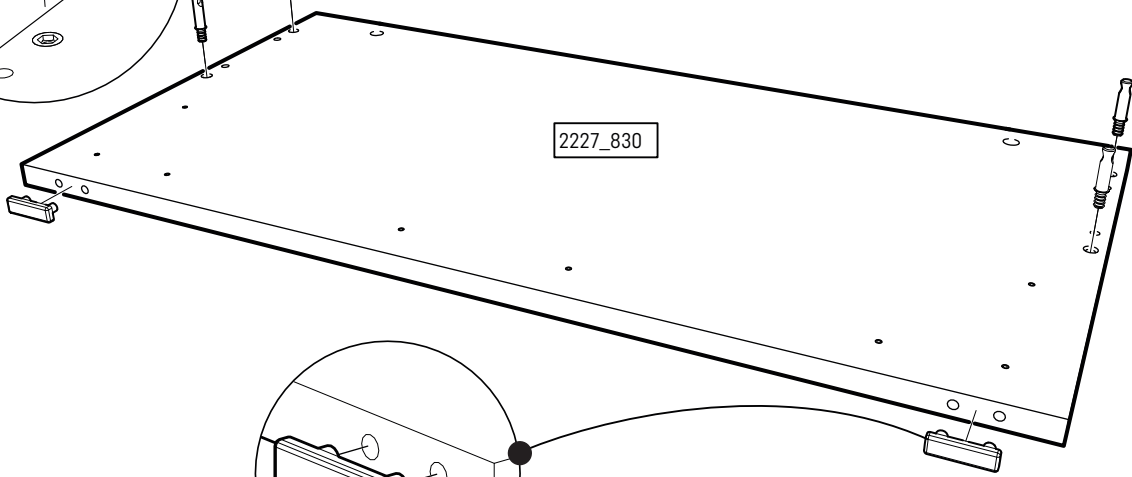
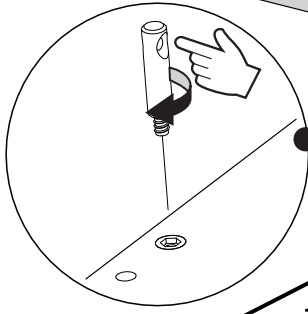
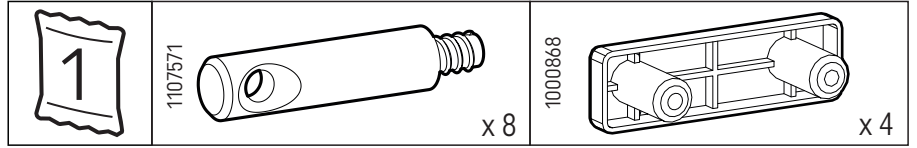
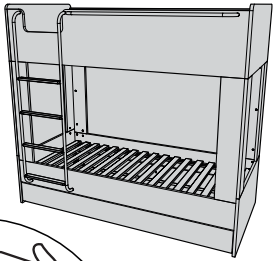




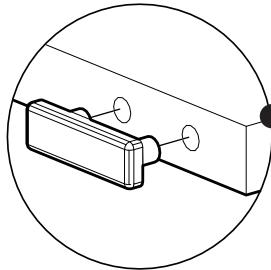
1005661		x 28	1005887		x 28	1005387		x 4	1005387		x 4
1109473		x 54	1107571		x 22	1109474		x 54	1000668		x 8
1125731		x 12	1125729		x 12	1125733		x 12	1109475		x 16
1005386		x 12	1005426	 30mm	x 16	1006073	 36mm	x 6	1005377	 40mm	x 24



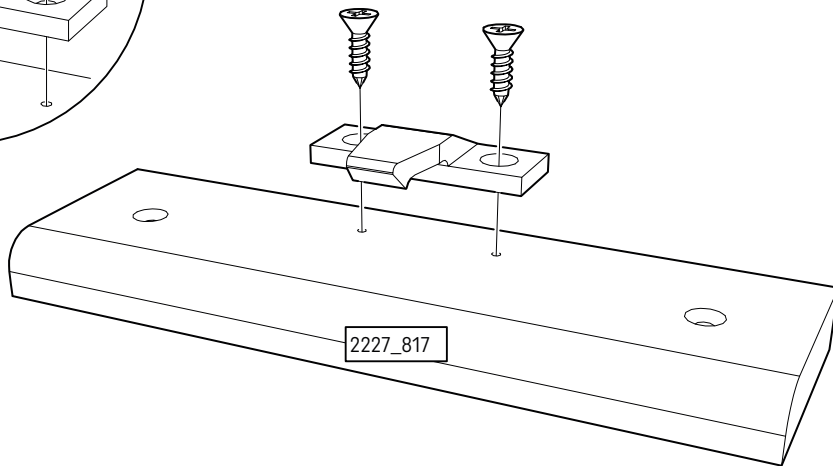
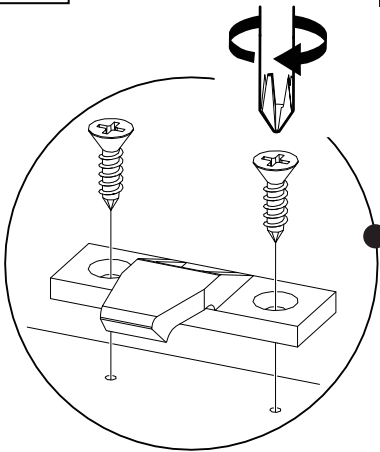
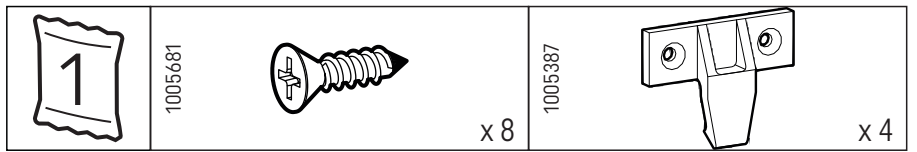
1



x2

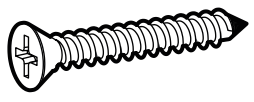


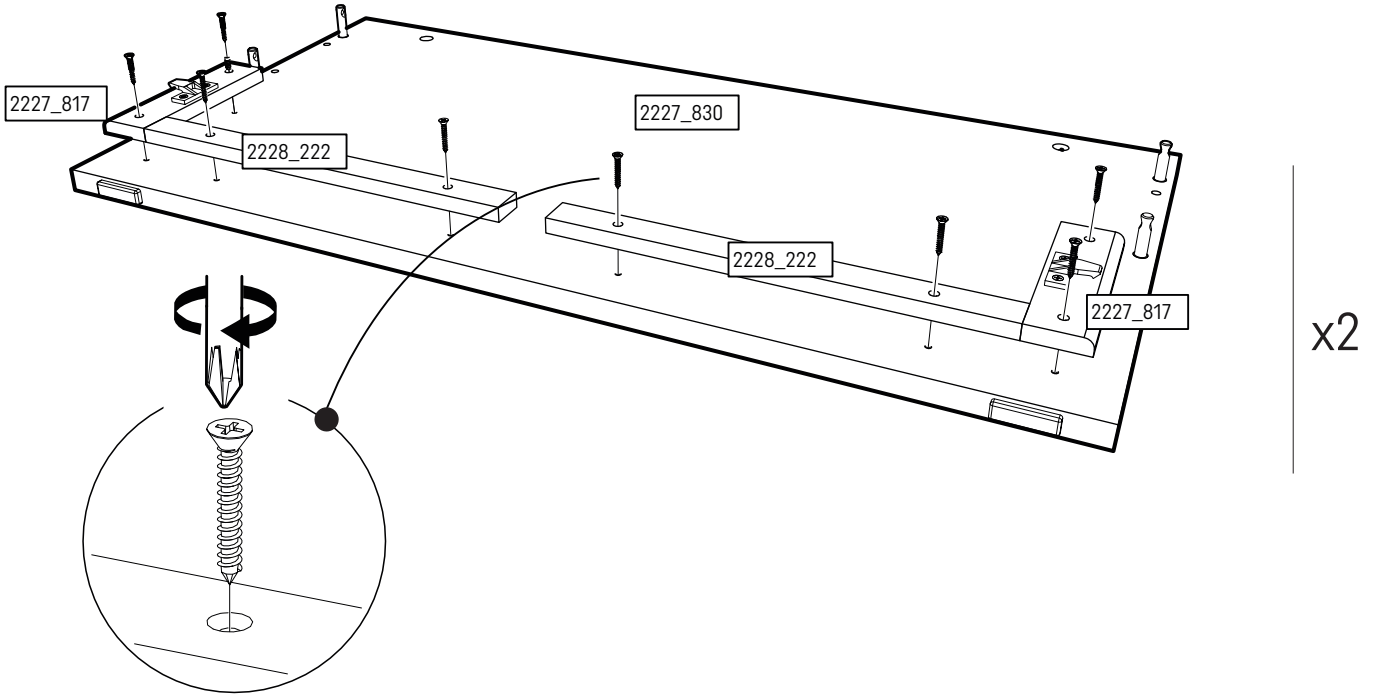
2




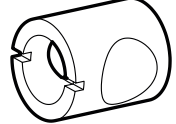
x4

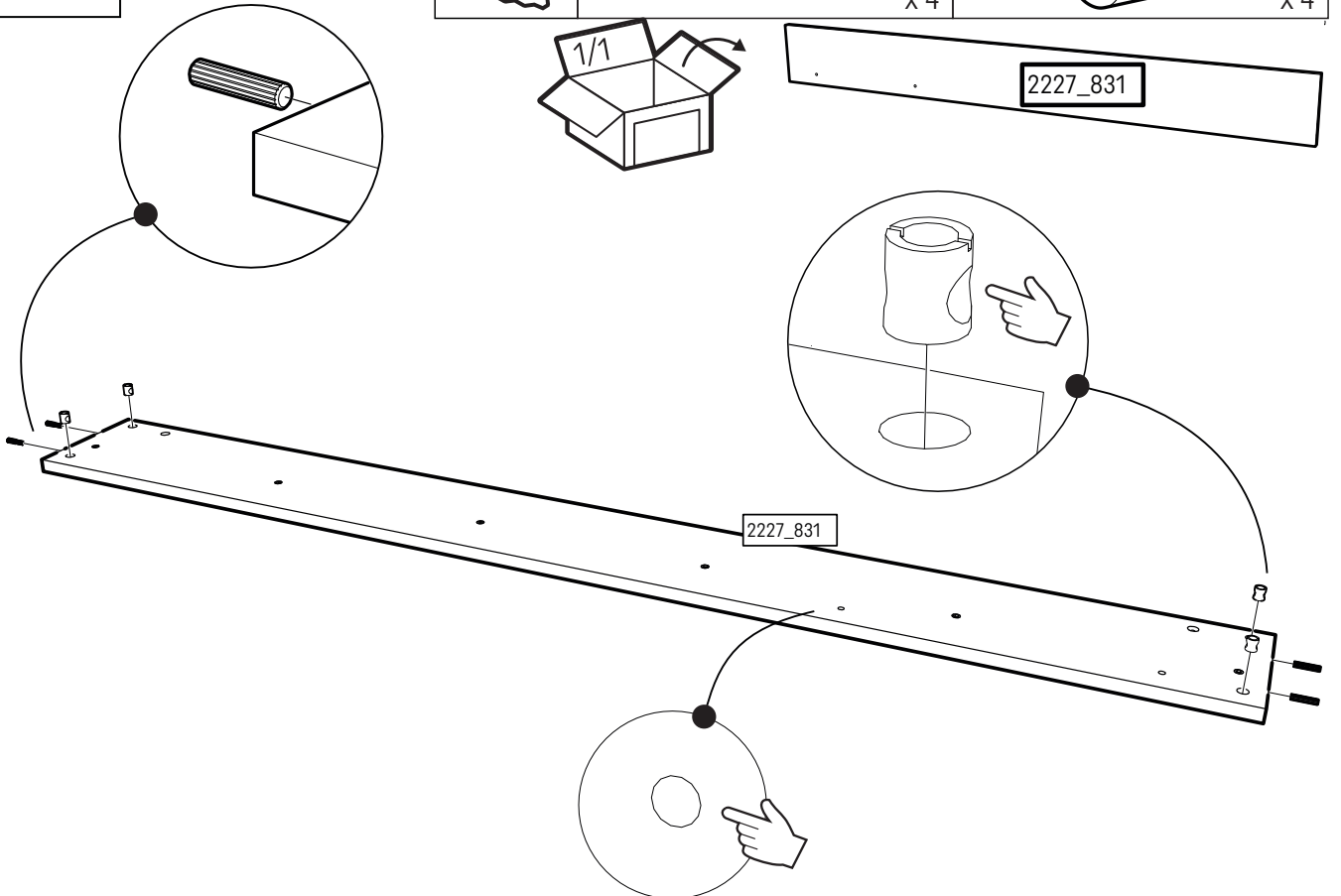
3

<p>1</p>	<p>1005426</p>		<p>x 16</p>
----------	----------------	---	-------------

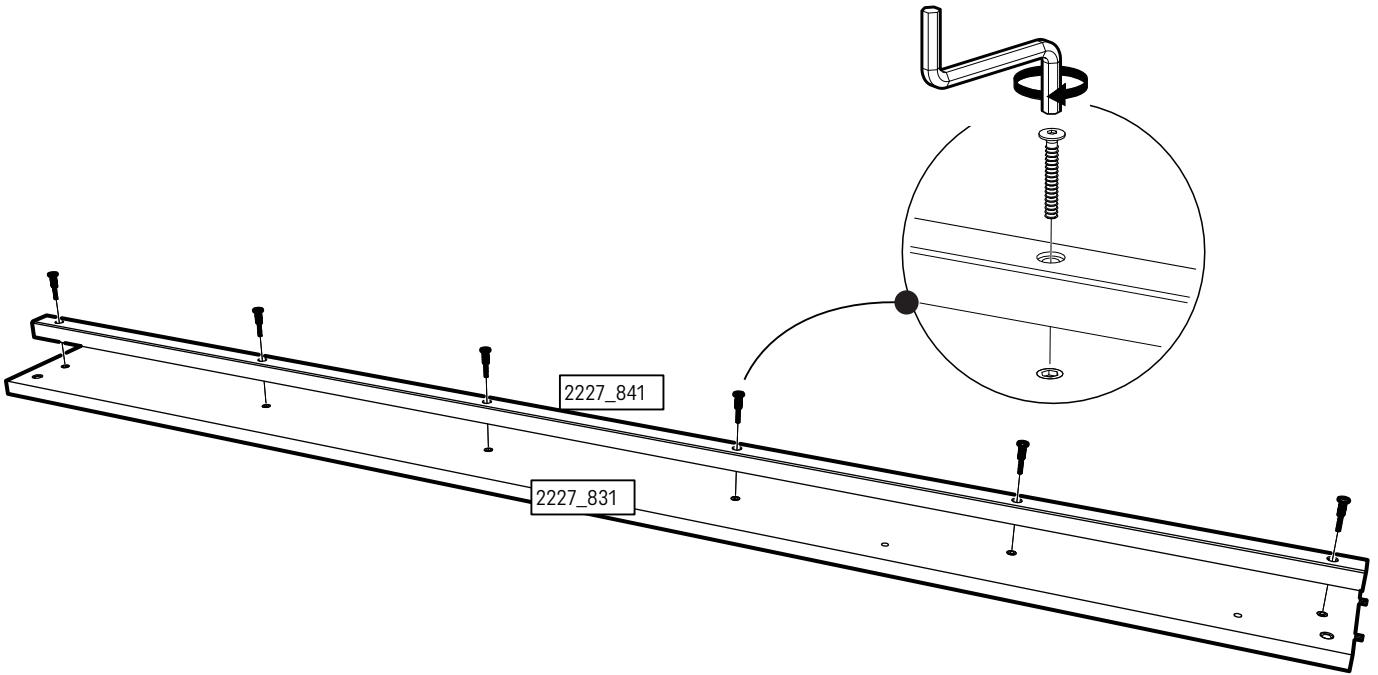
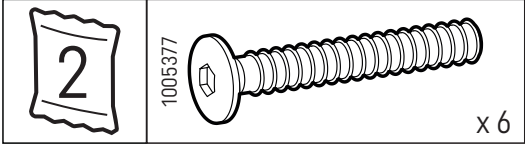


4

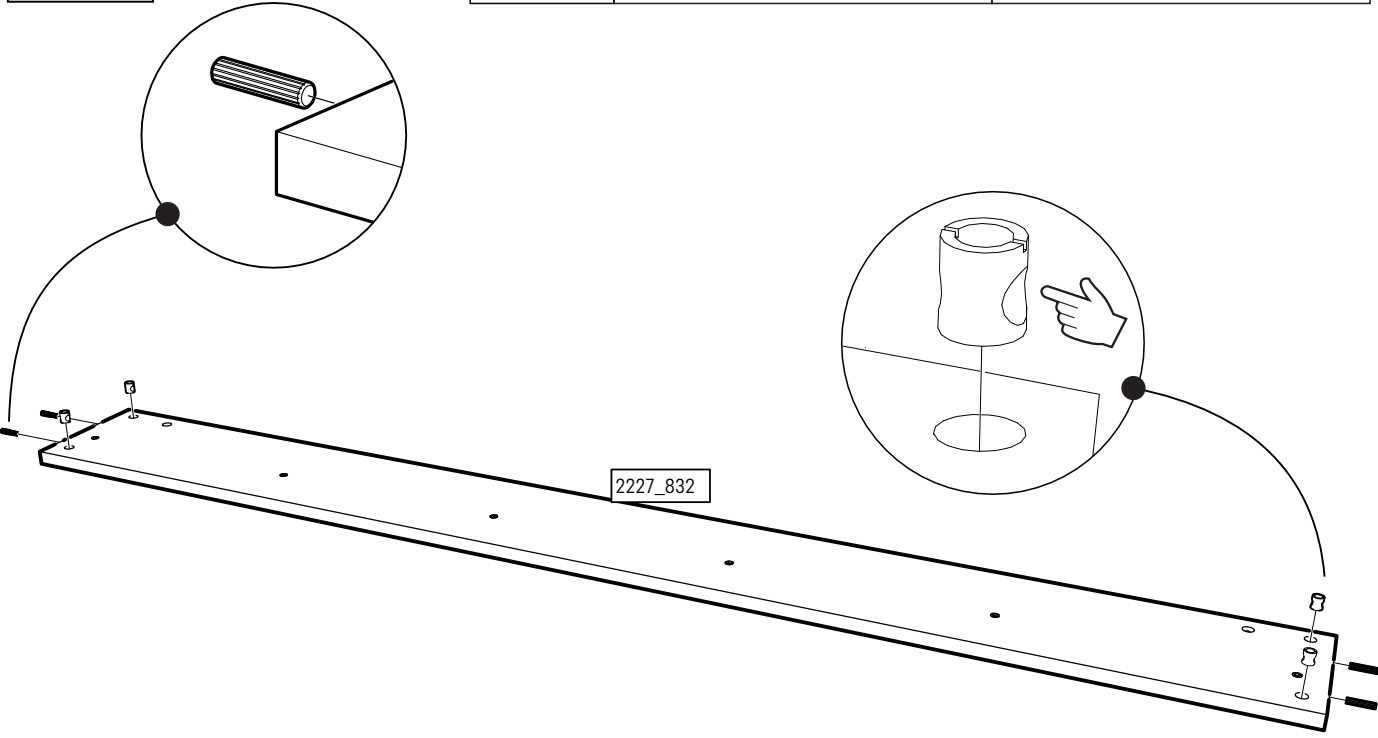
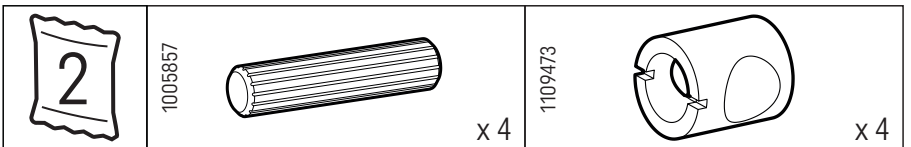
<p>2</p>	<p>1005857</p>		<p>x 4</p>	<p>1109473</p>		<p>x 4</p>
----------	----------------	--	------------	----------------	---	------------



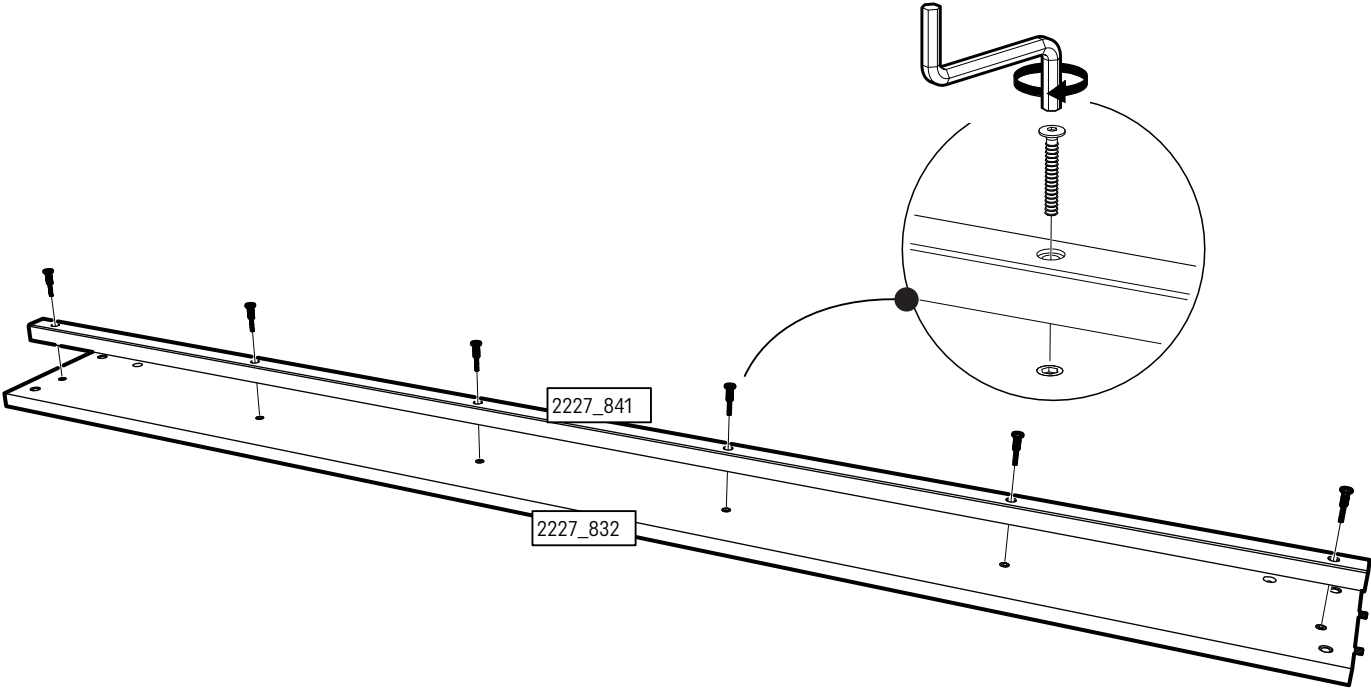
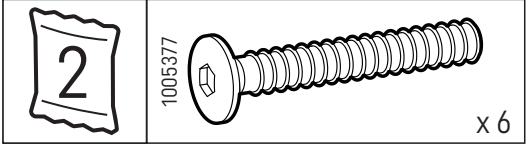
5



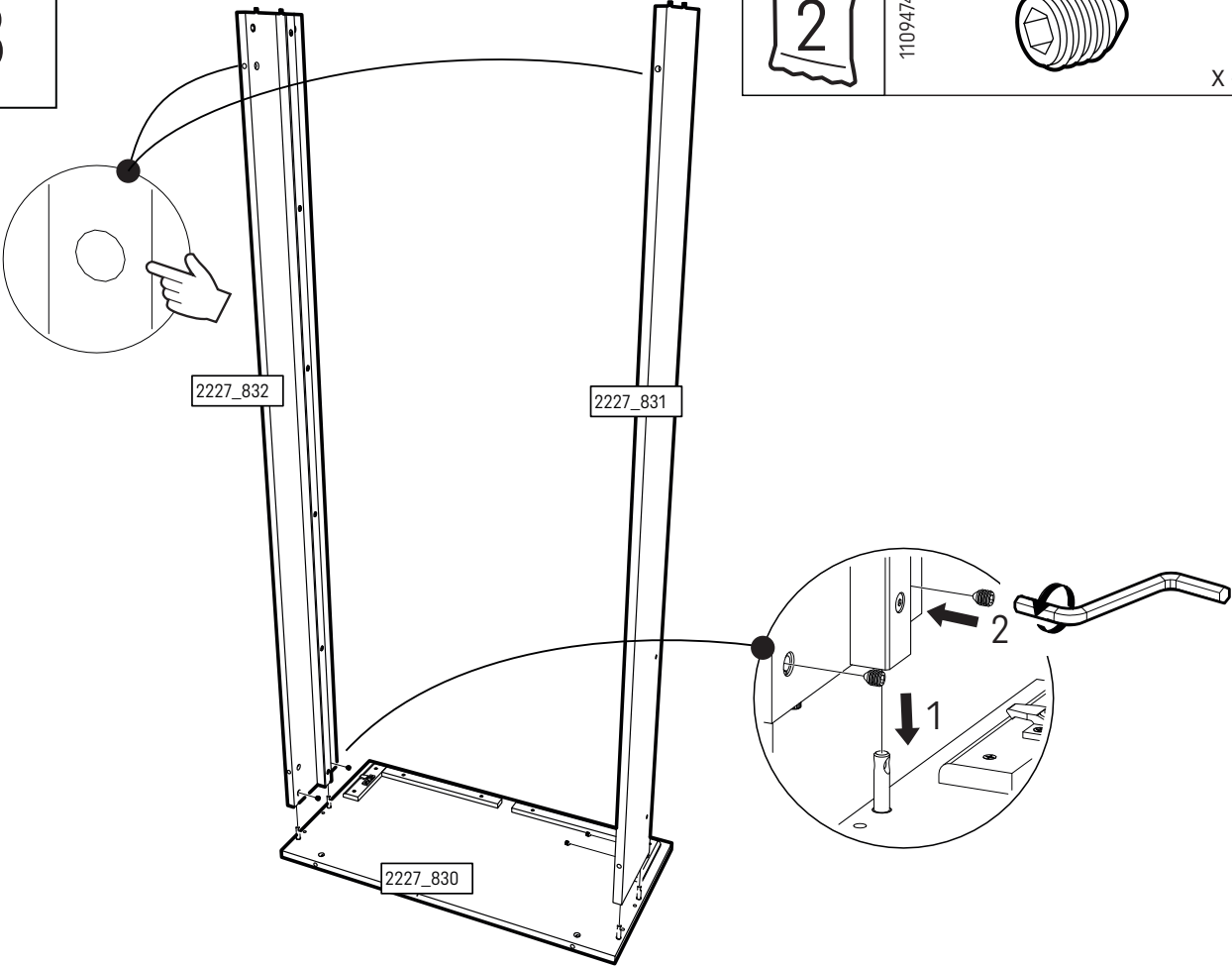
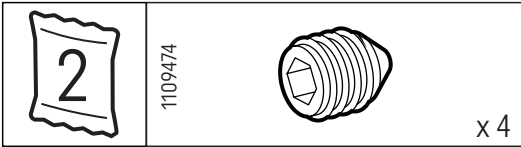
6



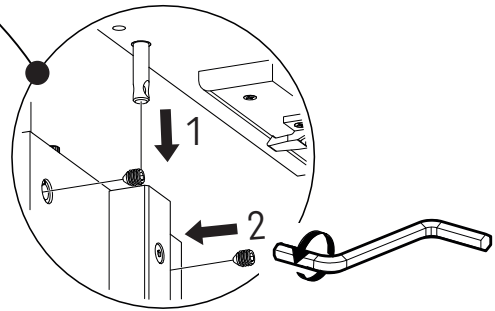
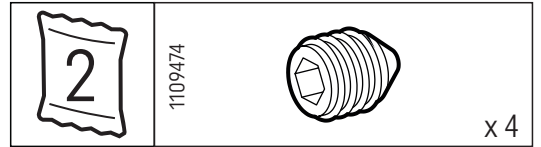
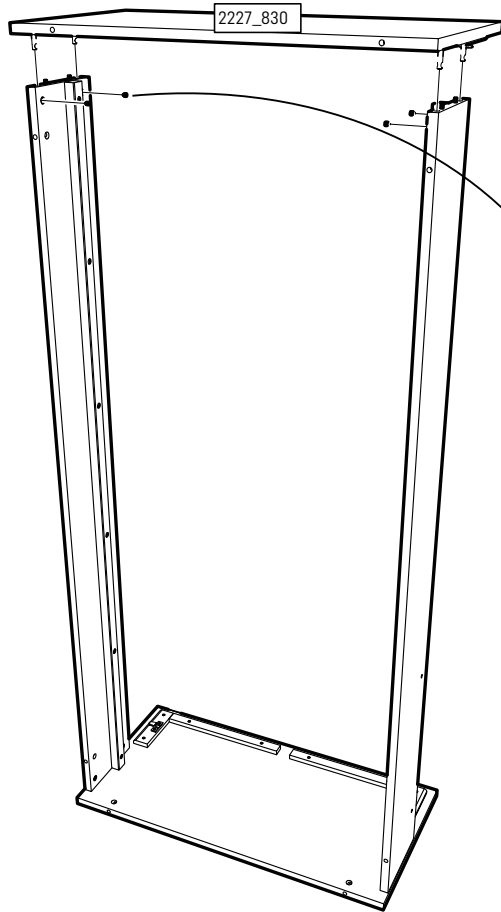
7



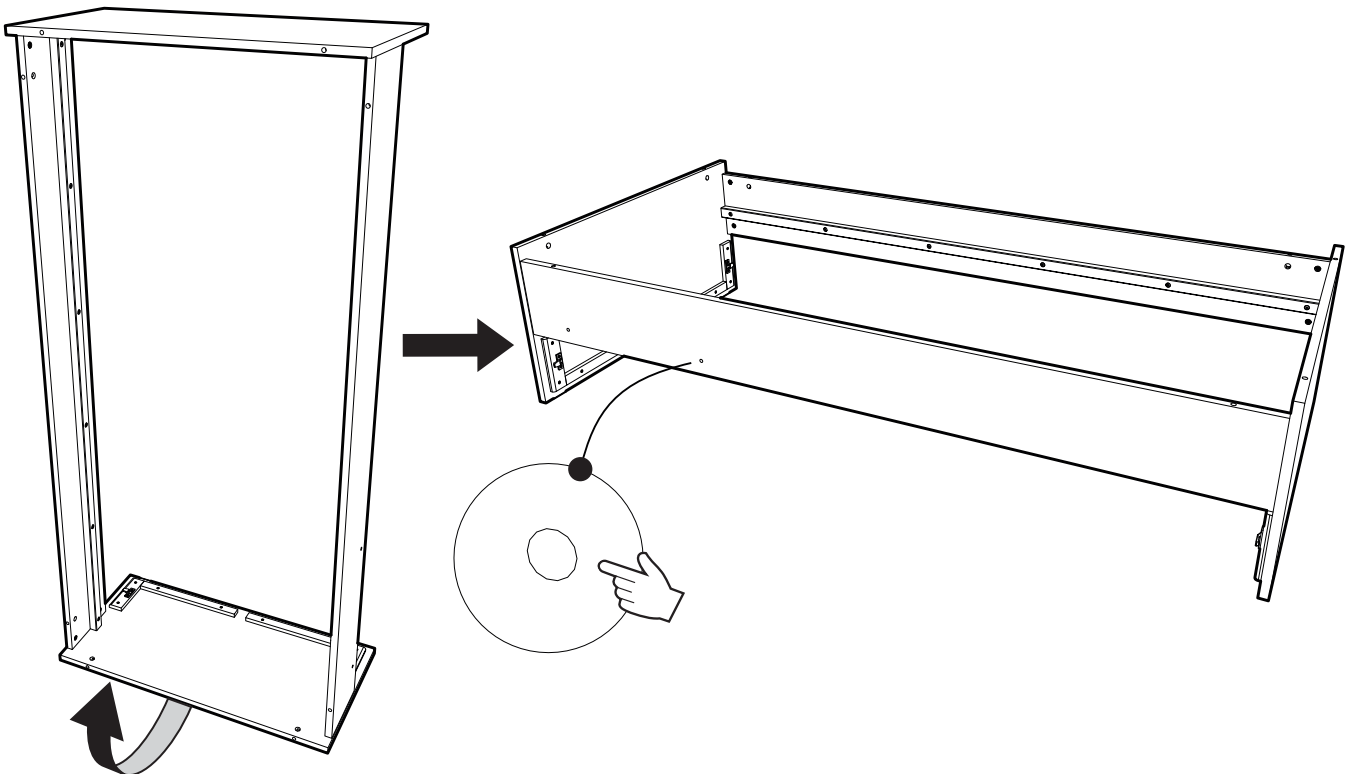
8



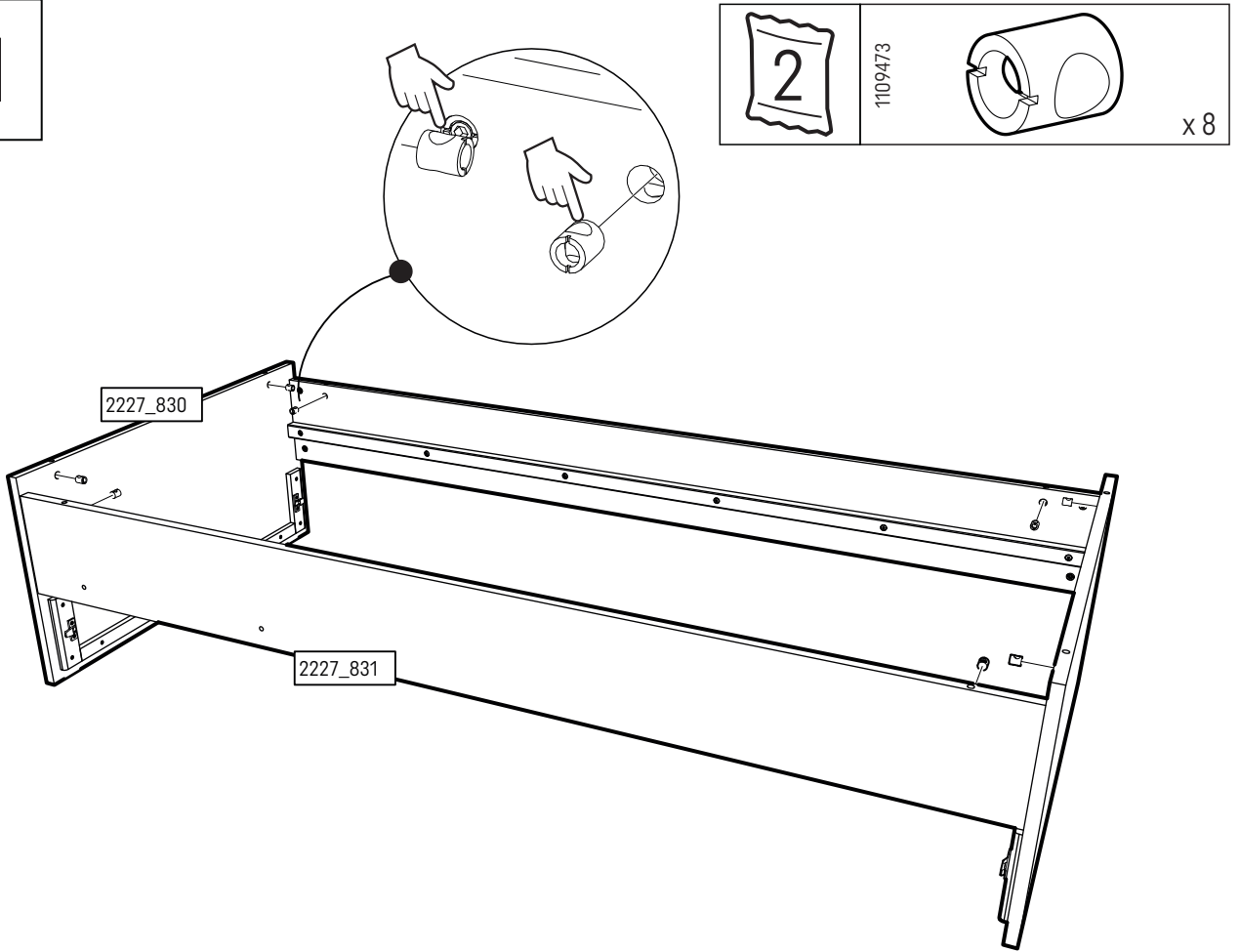
9



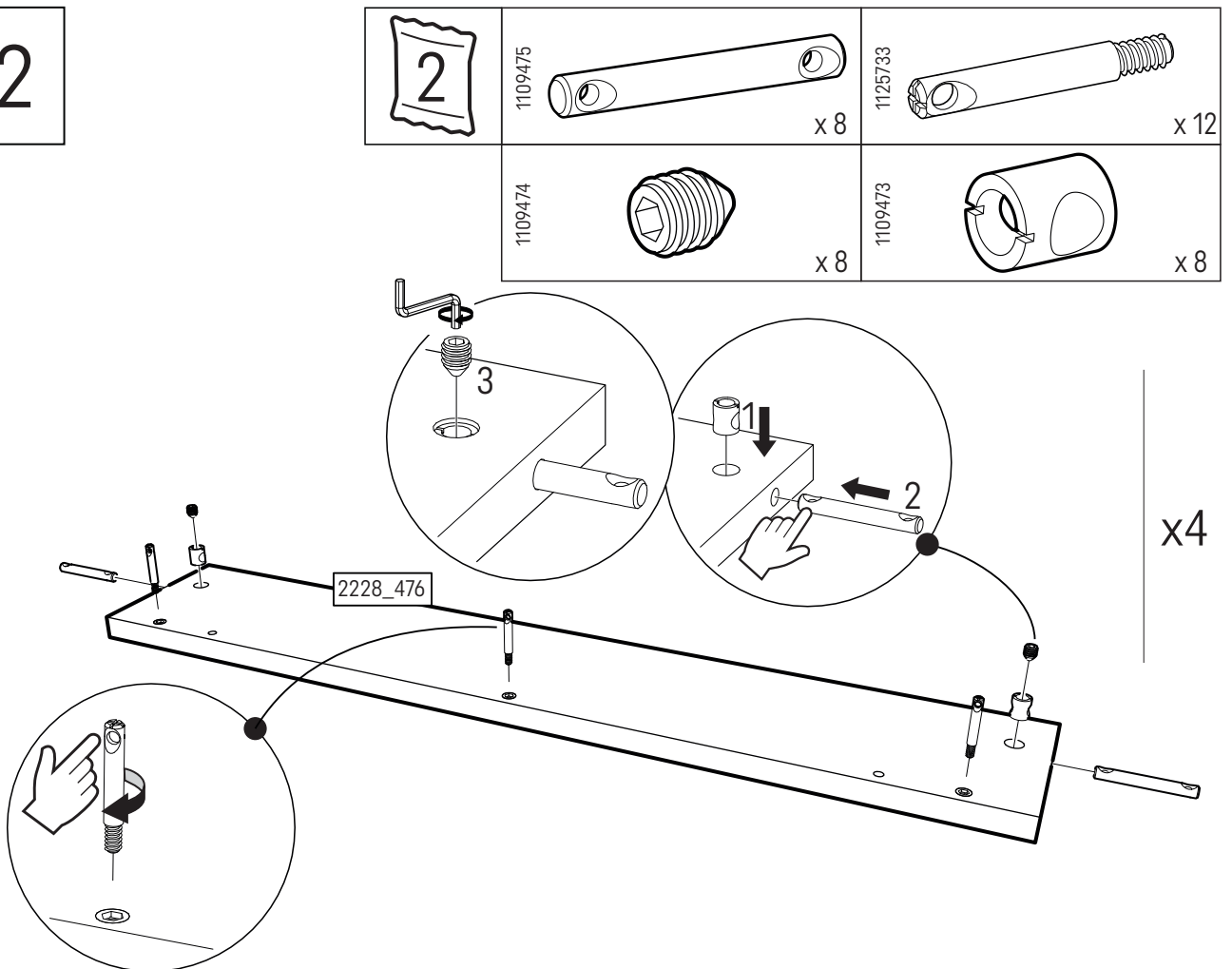
10



11

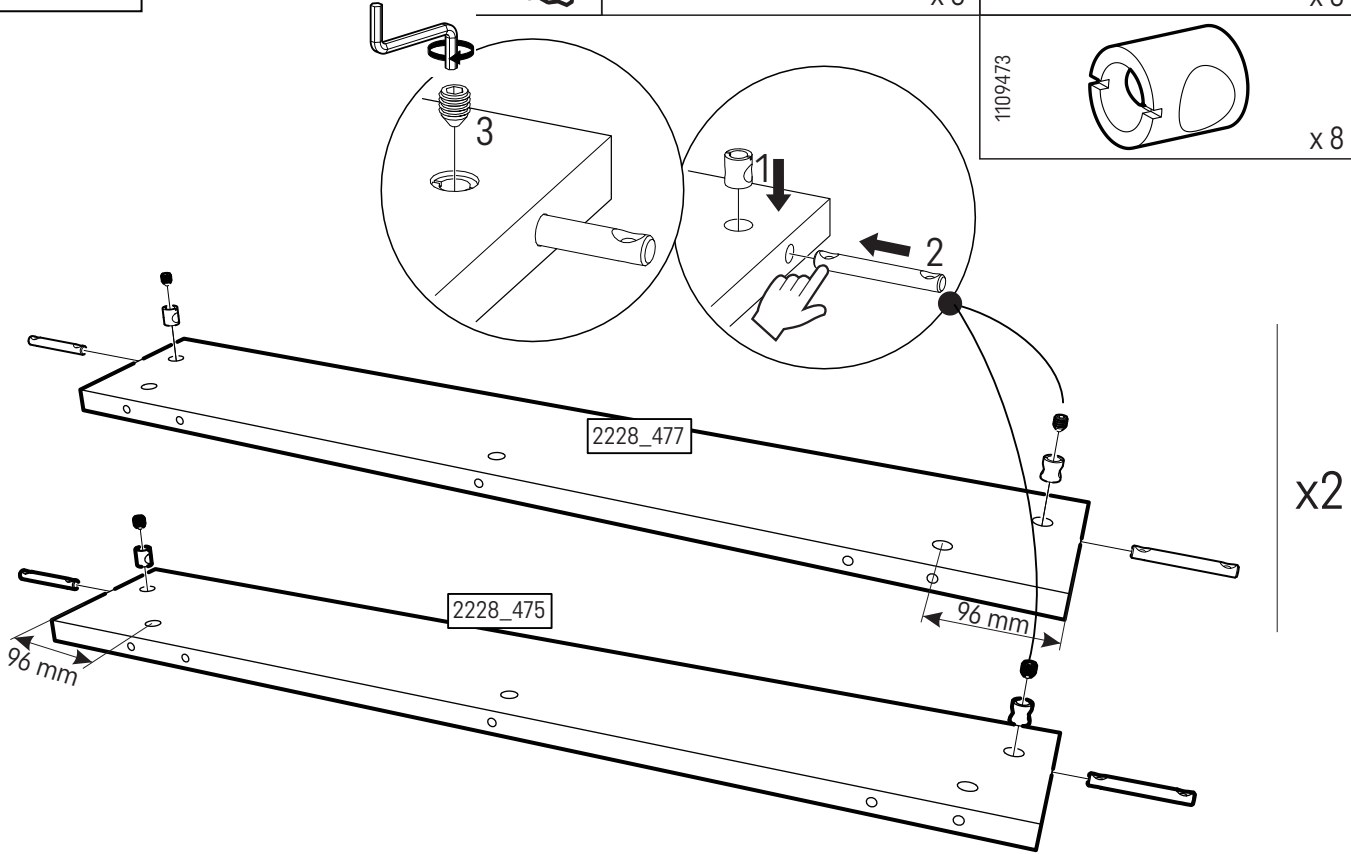


12



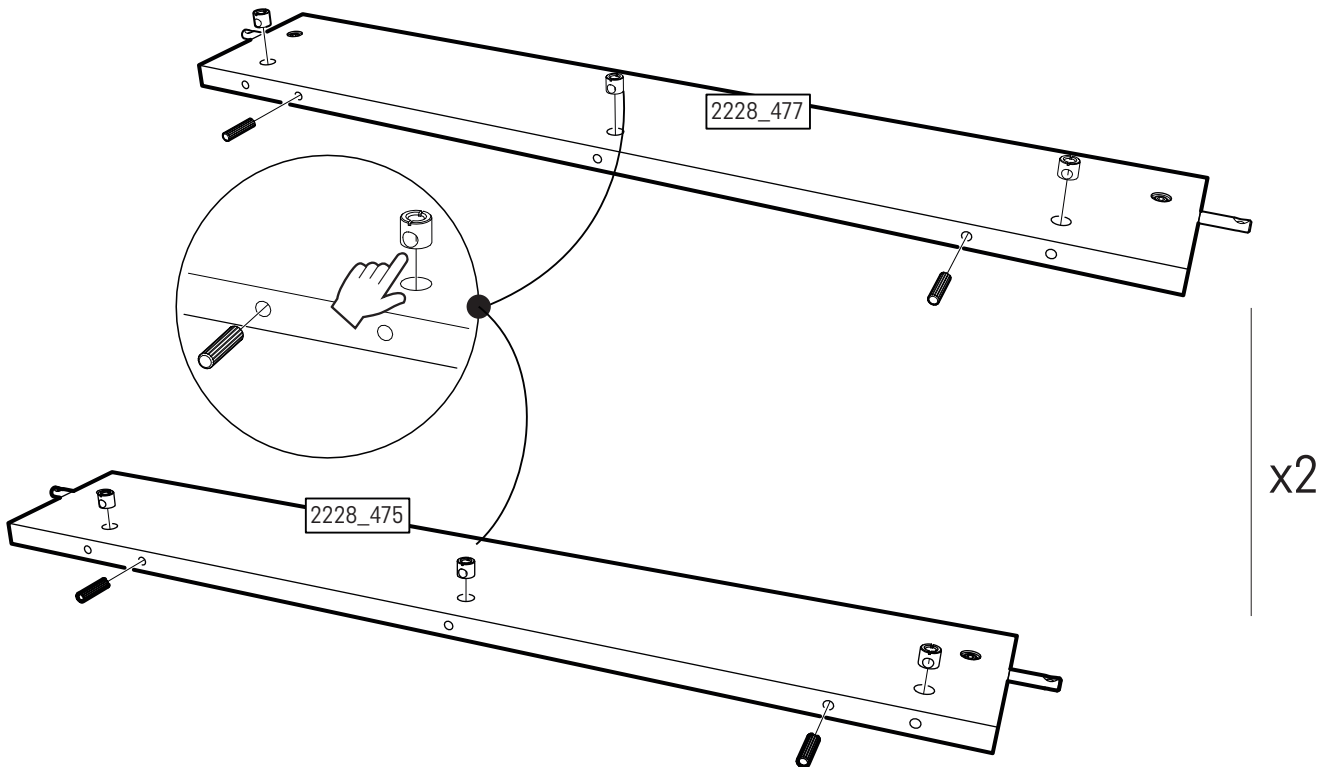
13

2	1109475 x 8	1109474 x 8
		1109473 x 8


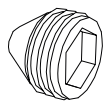


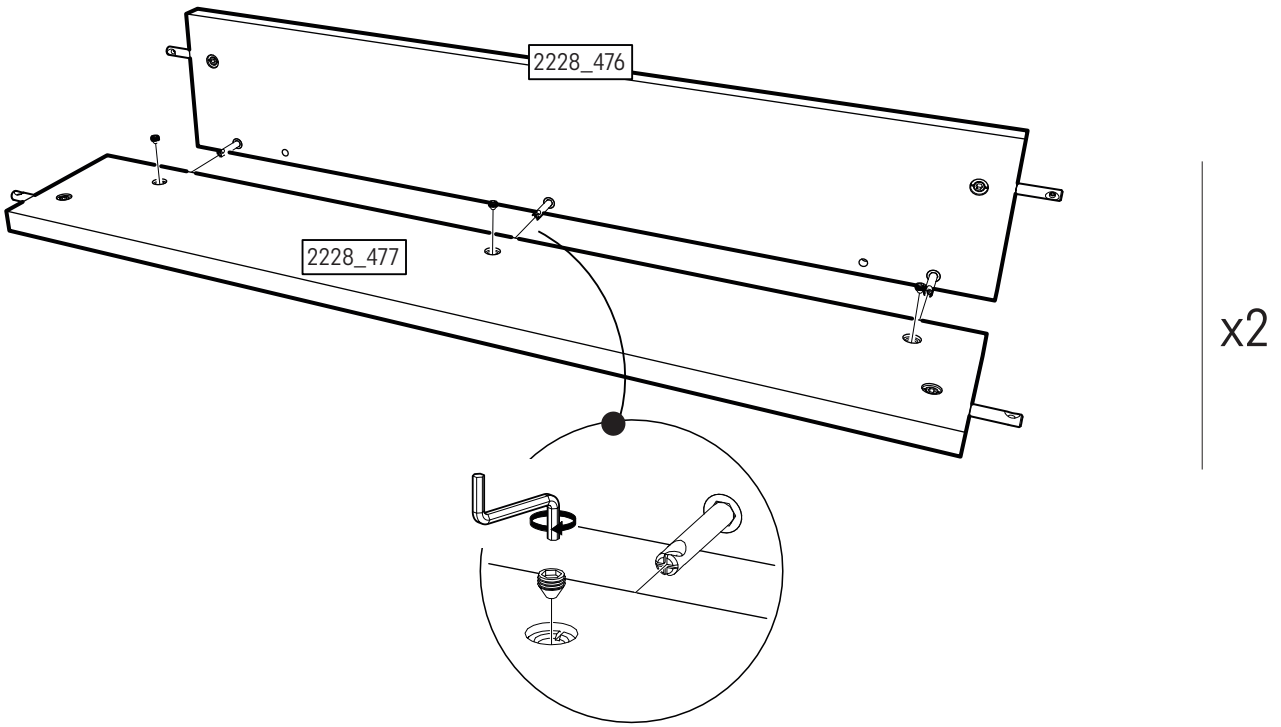
14

3	1005857 x 8	1125729 x 12
---	----------------	-----------------


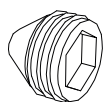


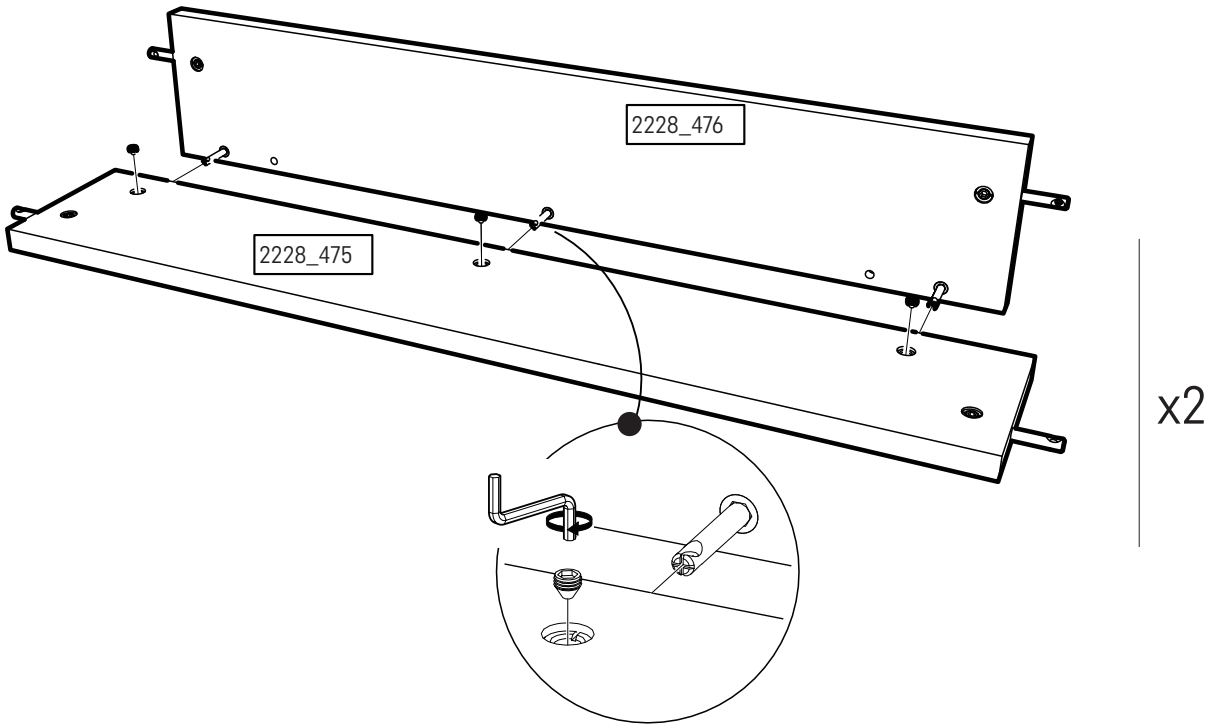
15

	1125731		x 6
--	---------	---	-----

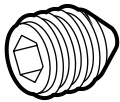


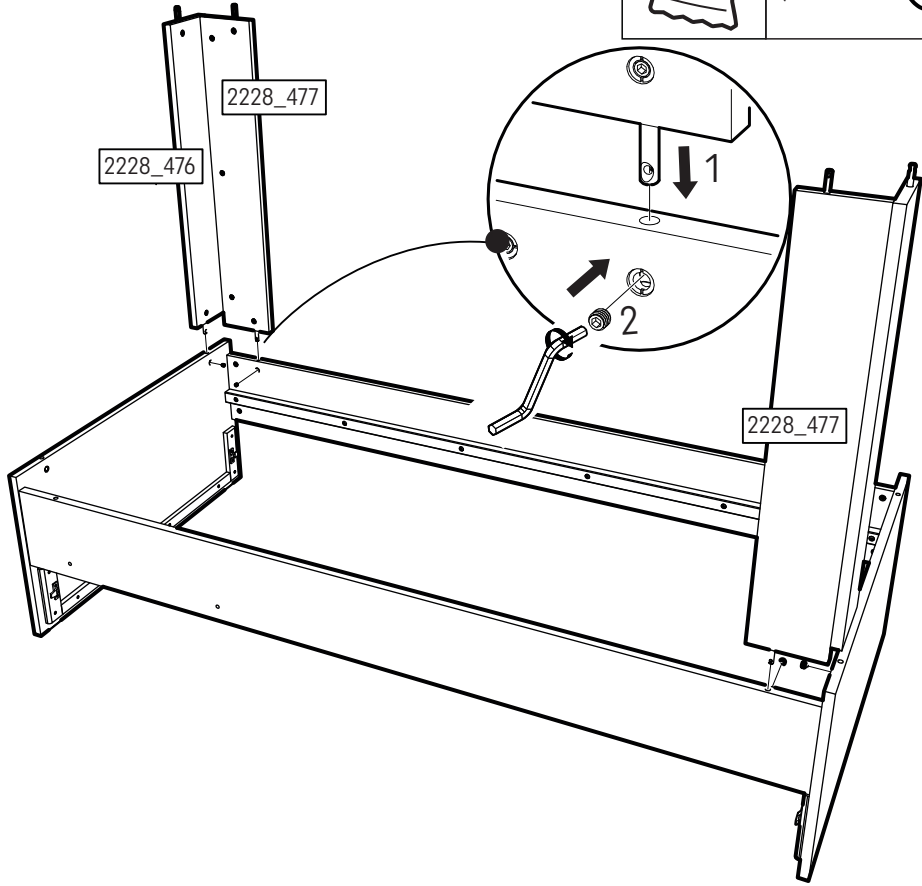
16

	1125731		x 6
--	---------	---	-----

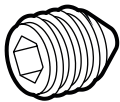


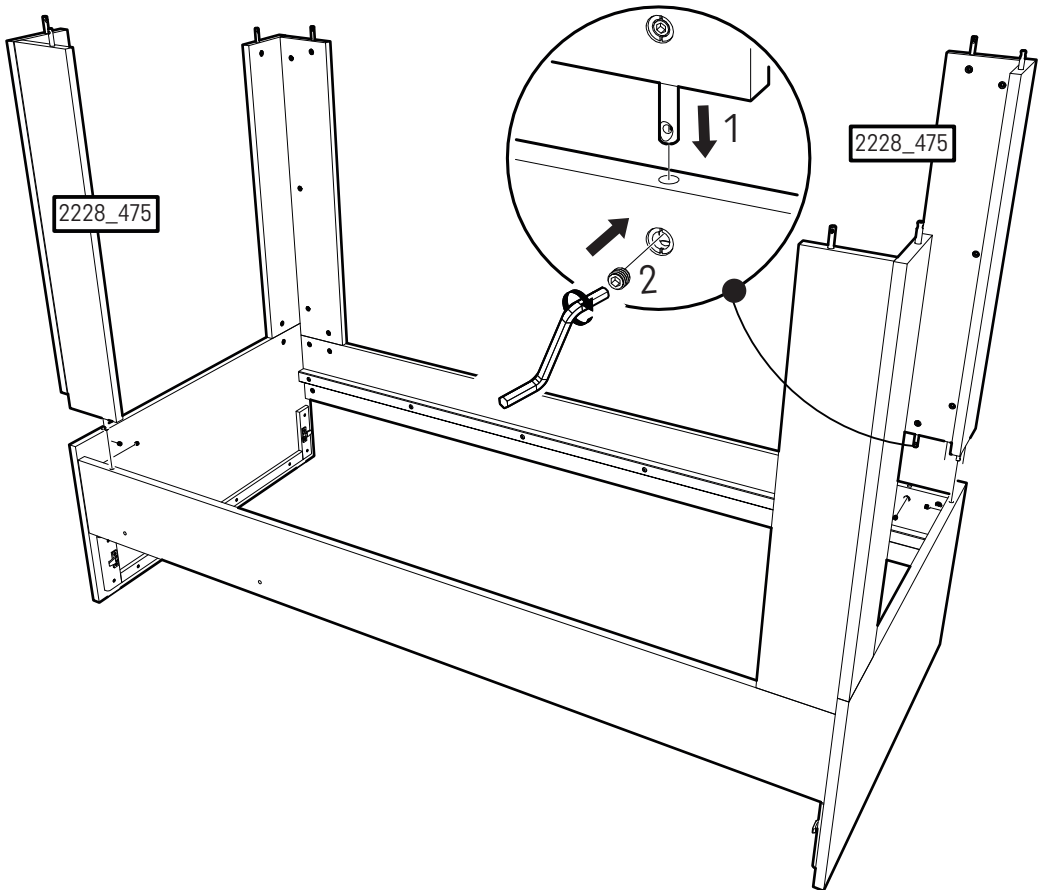
17

4	1109474	 x 4
---	---------	---

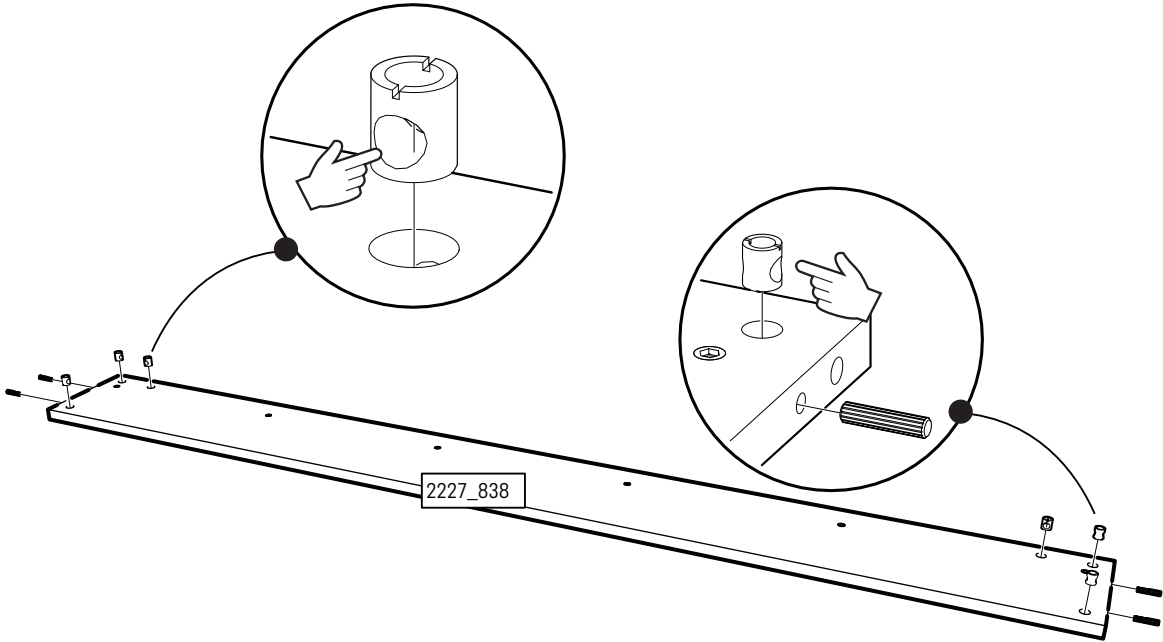
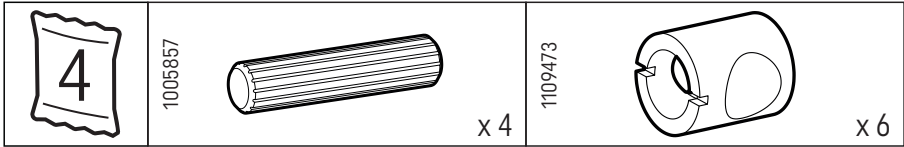


18

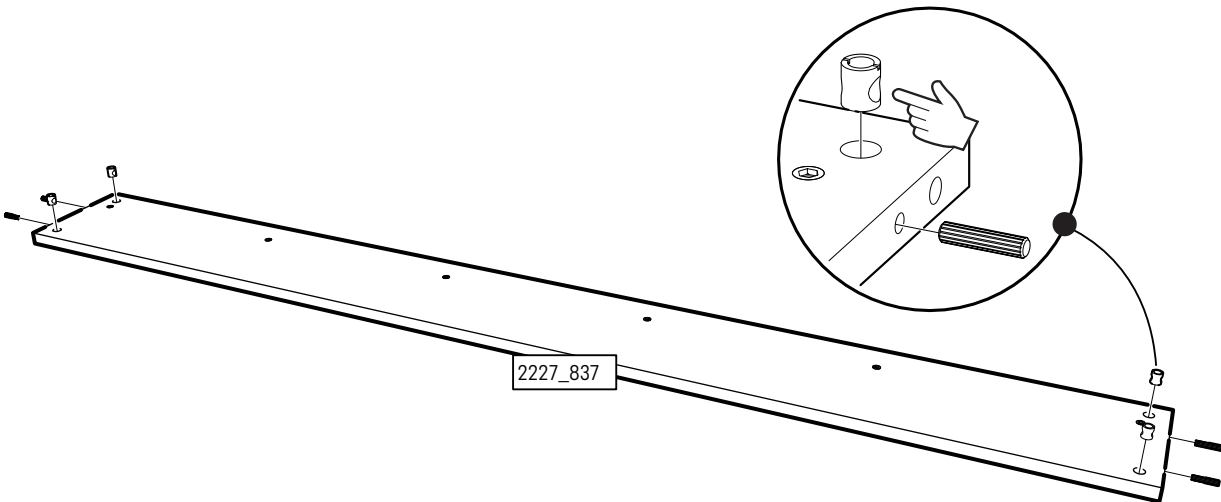
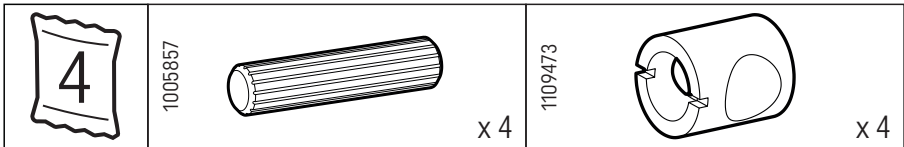
4	1109474	 x 4
---	---------	---



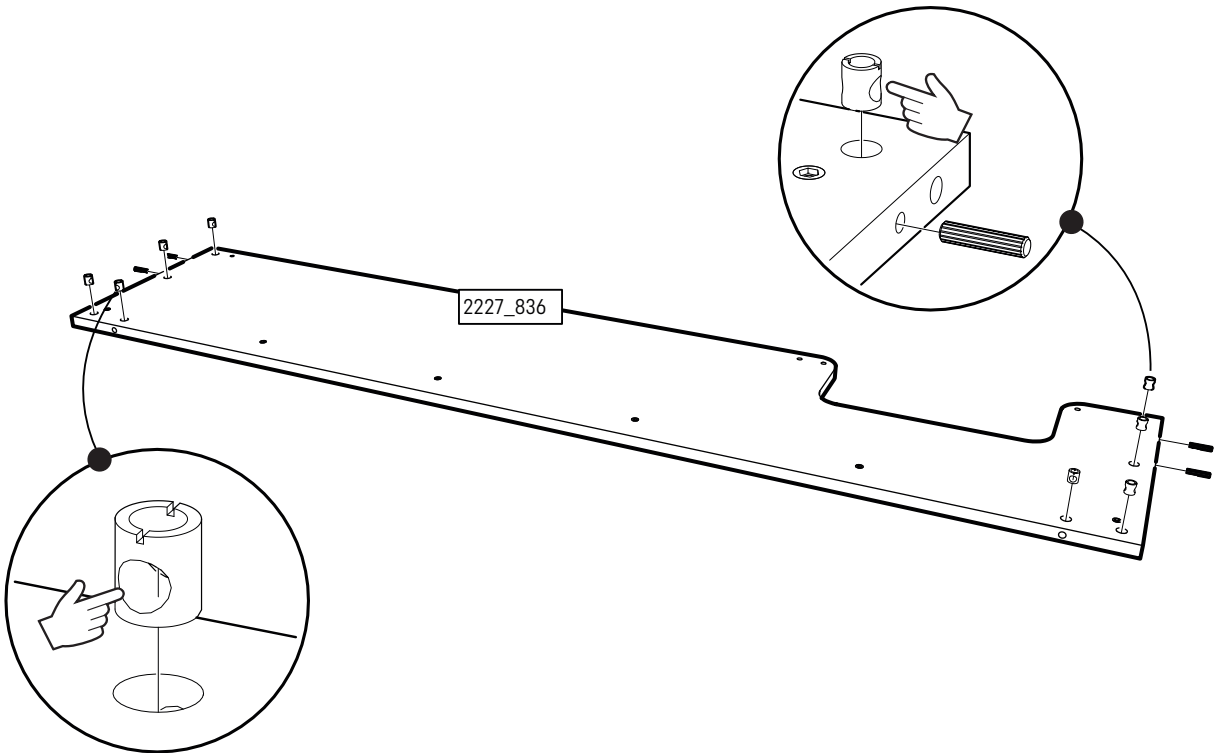
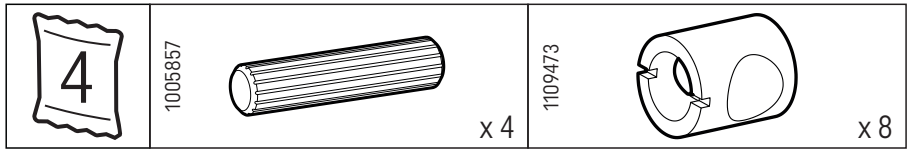
19



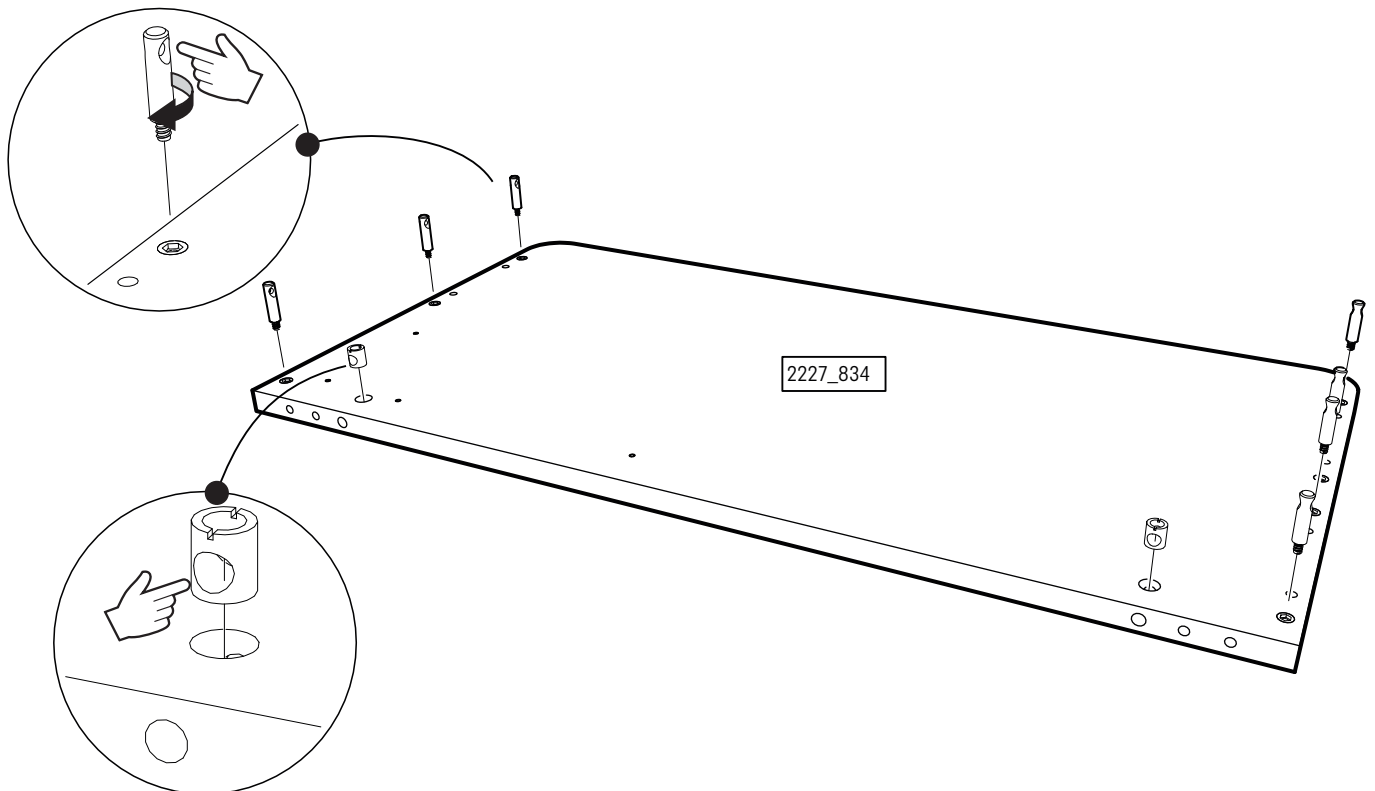
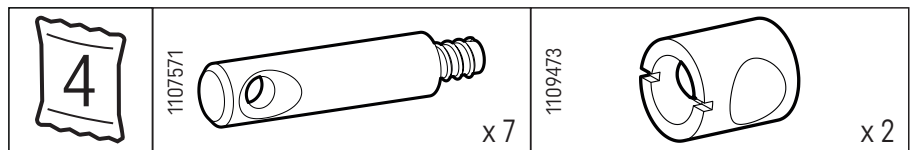
20



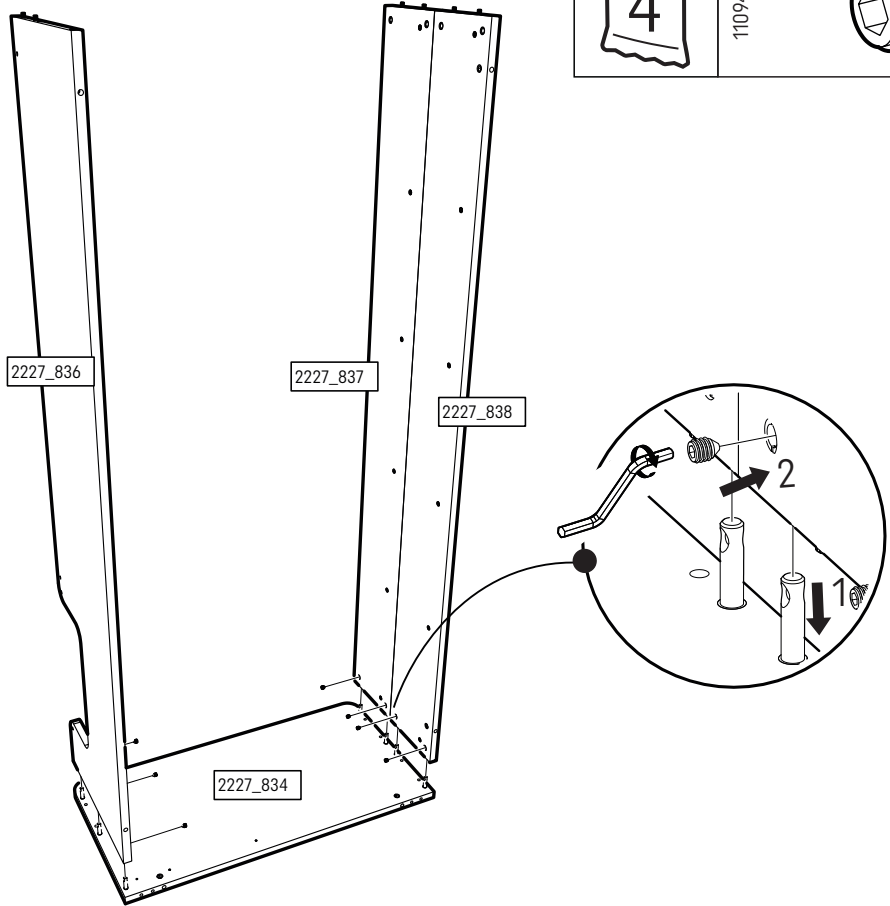
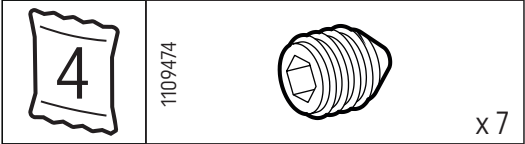
21



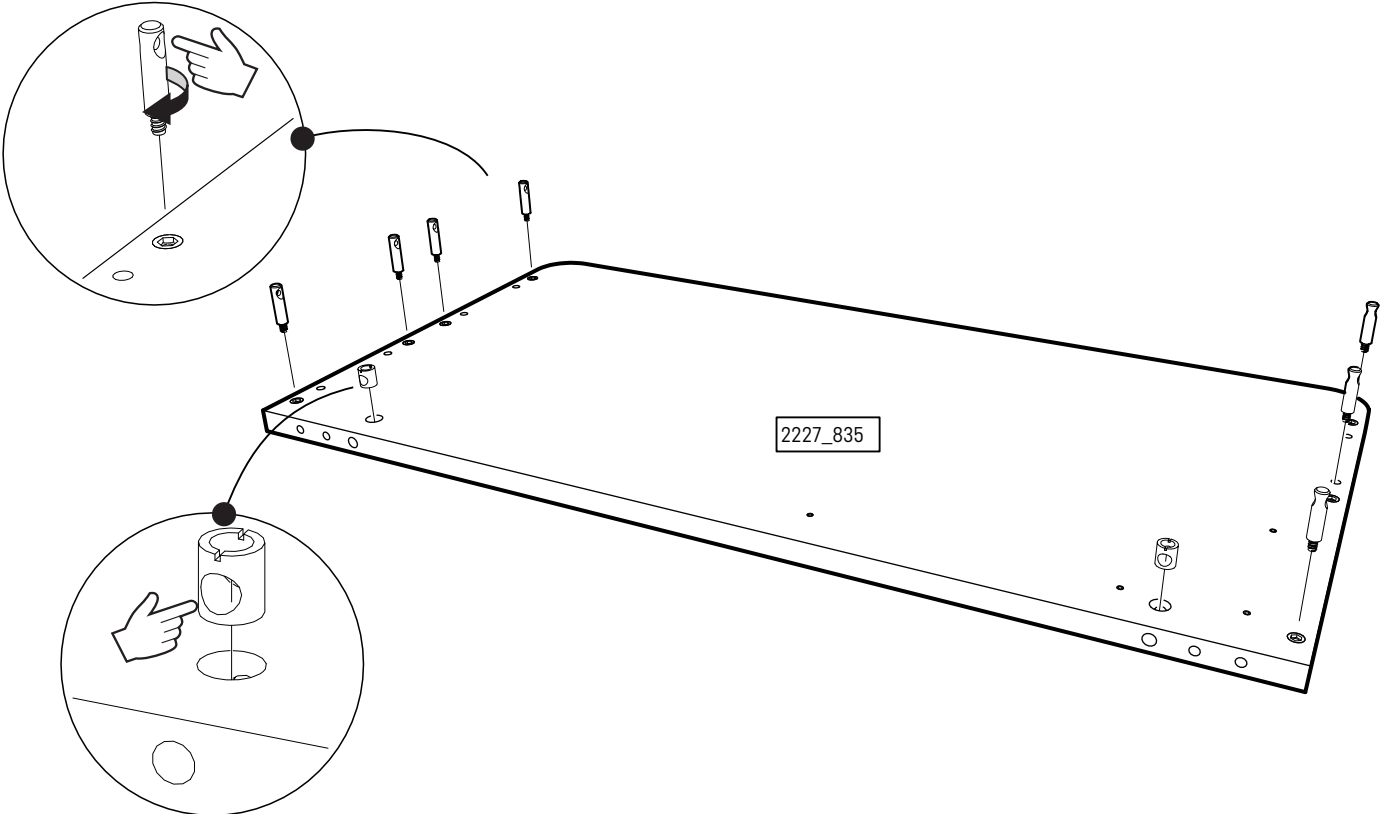
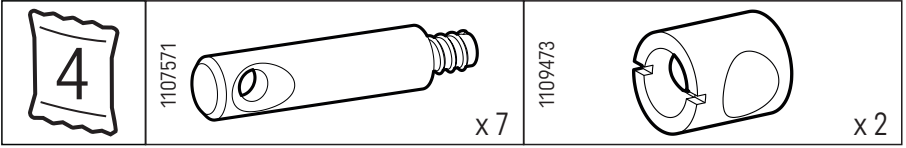
22



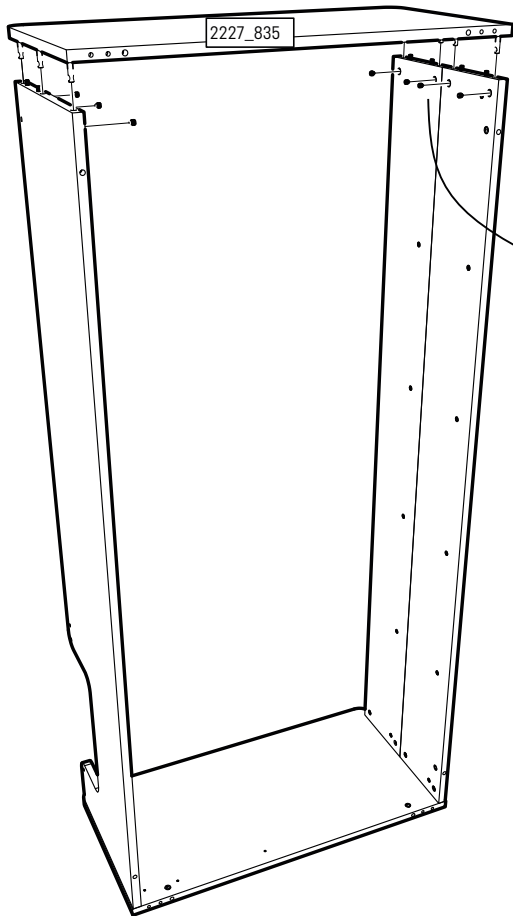
23

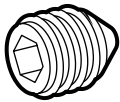


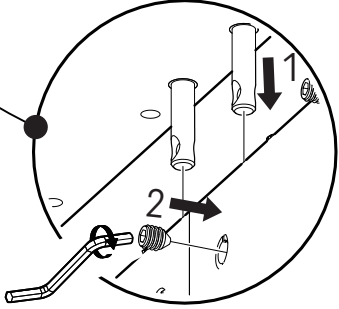
24



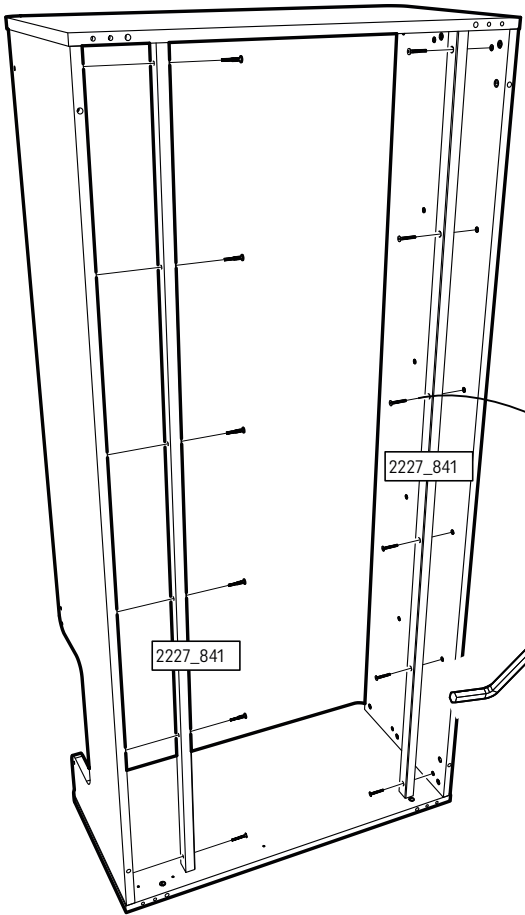
25

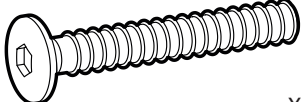


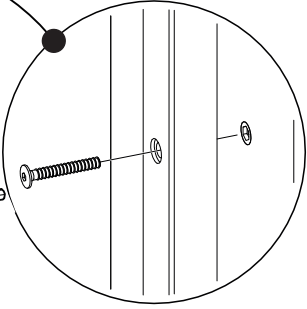
4	1109474	 x 7
---	---------	--



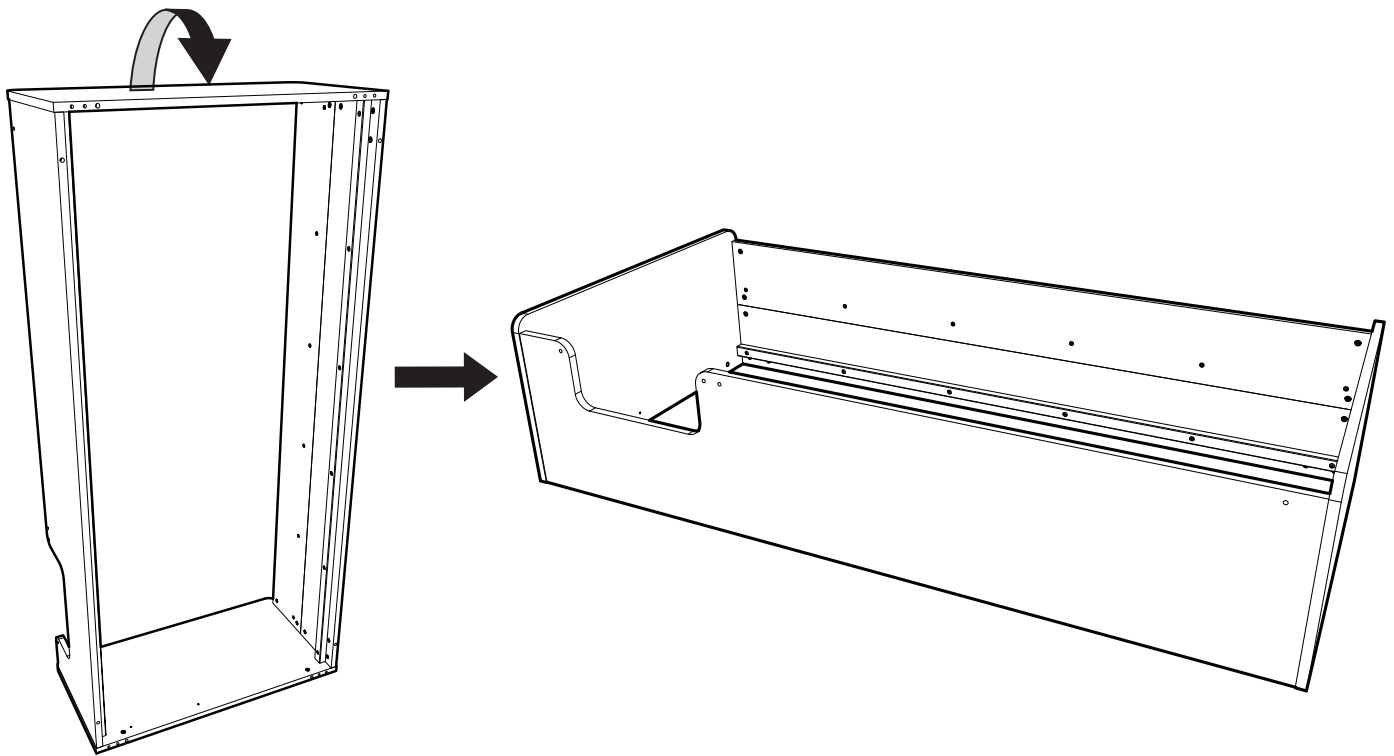
26



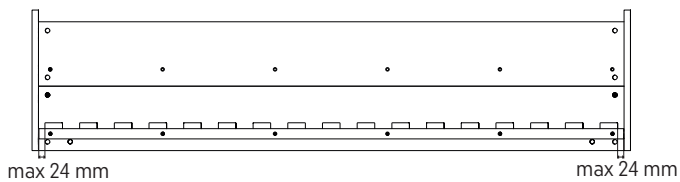
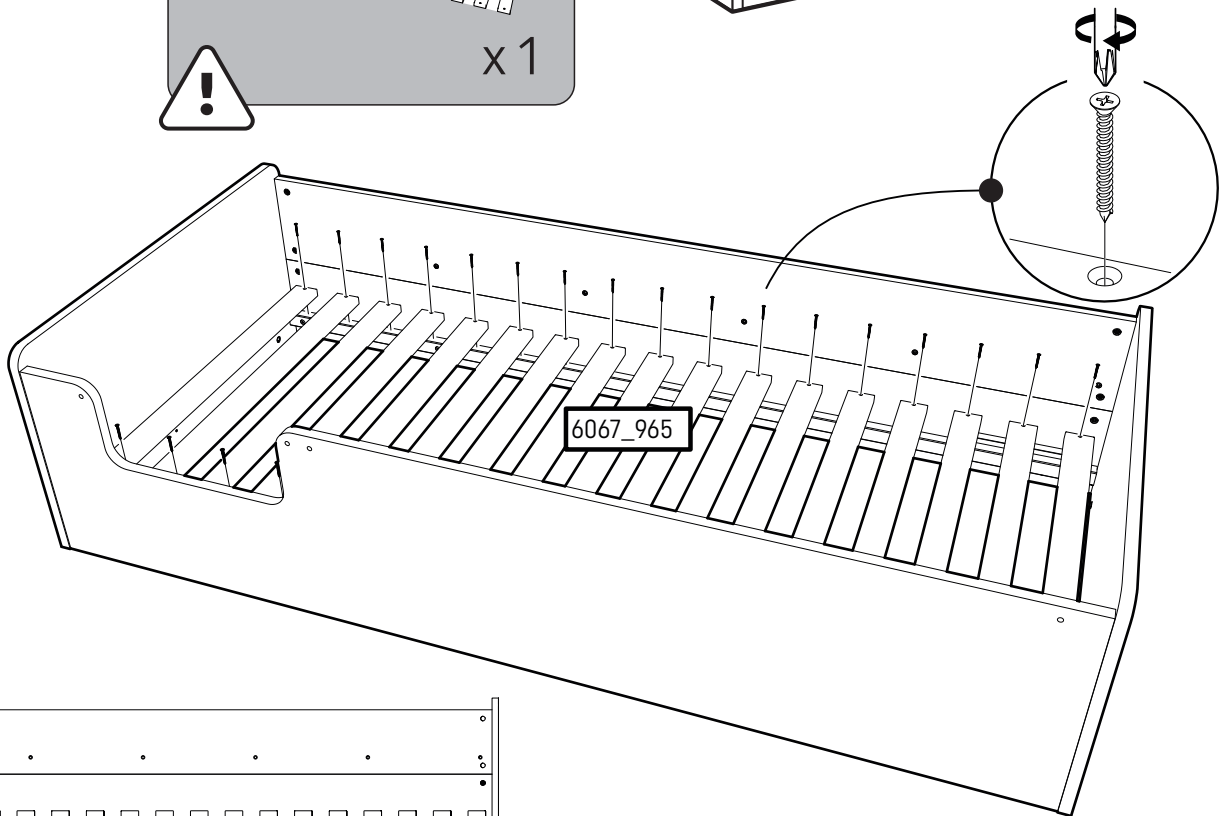
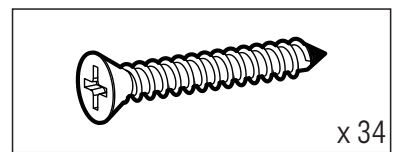
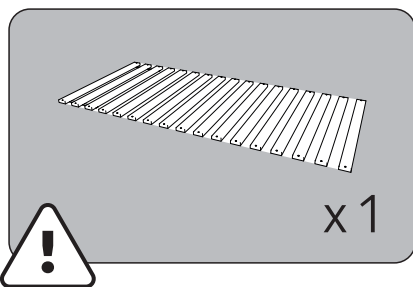
5	1005377	 x 12
---	---------	---



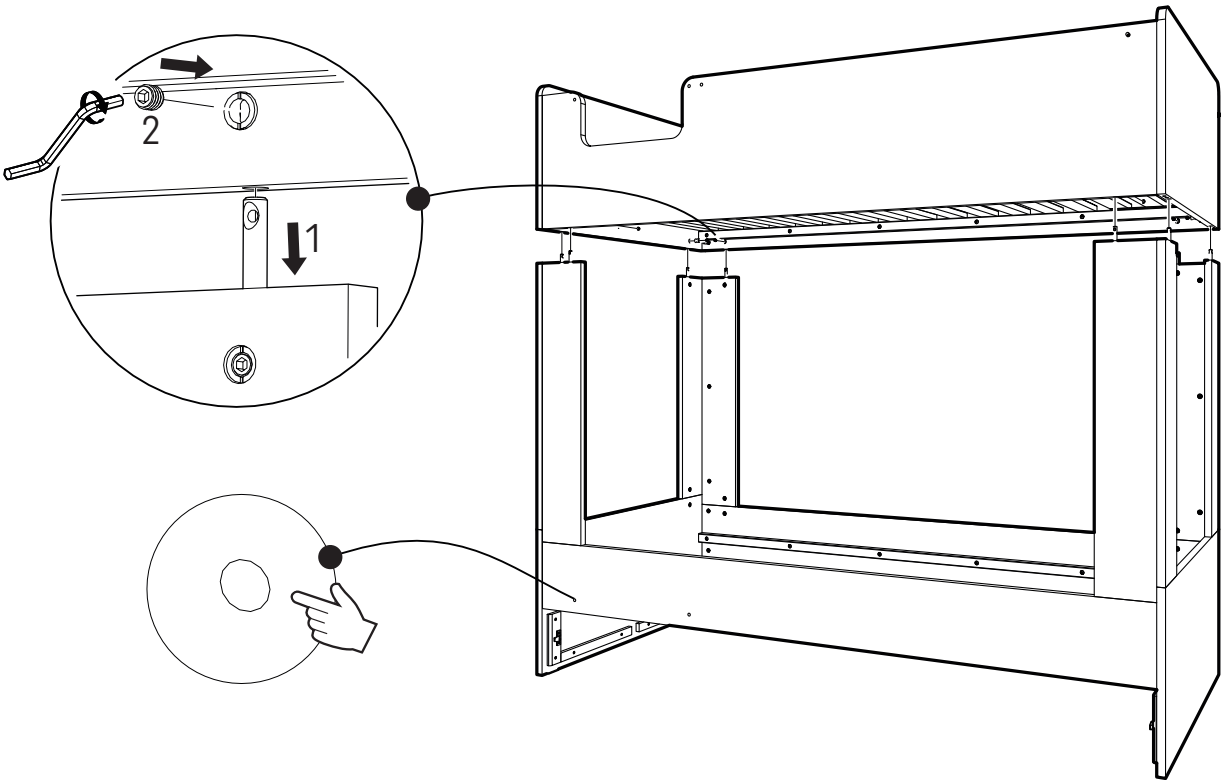
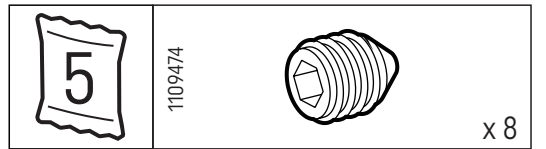
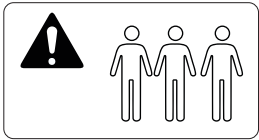
27



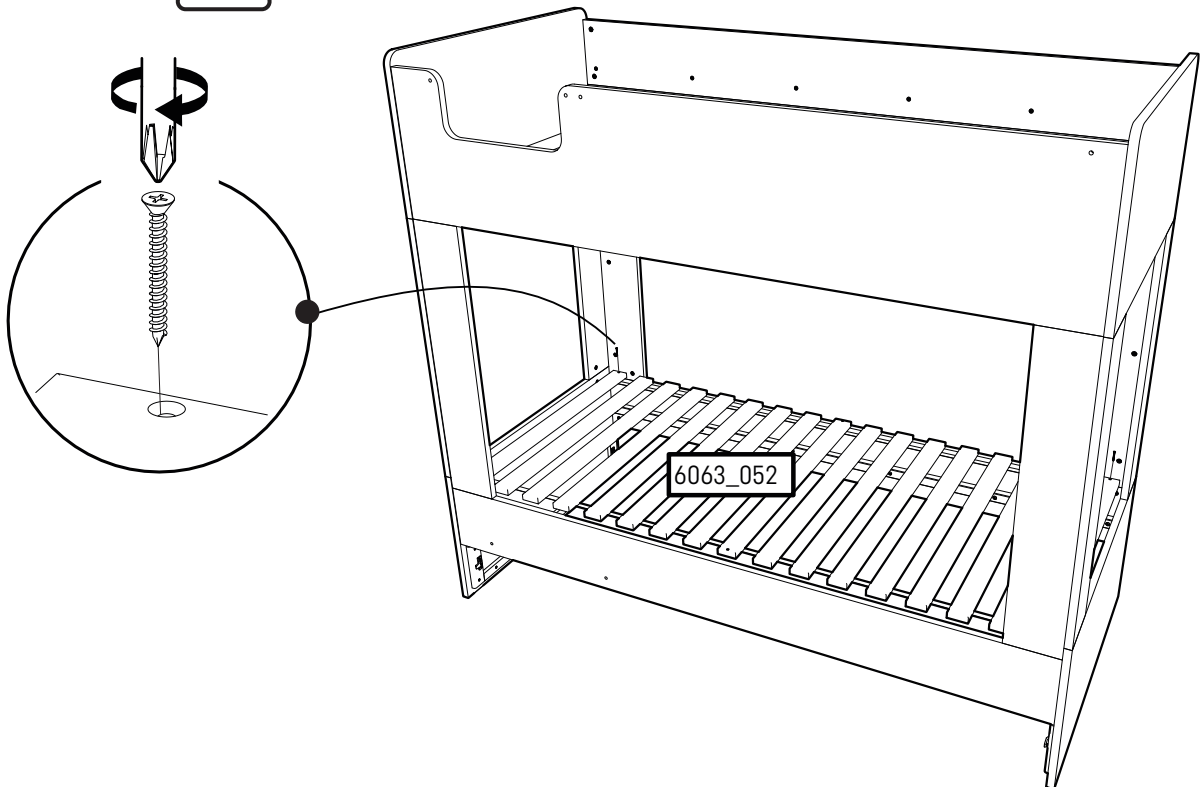
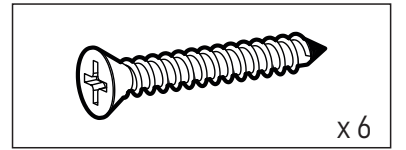
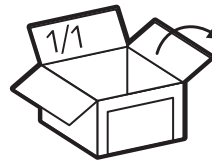
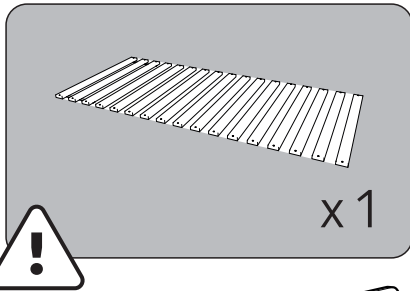
28





29

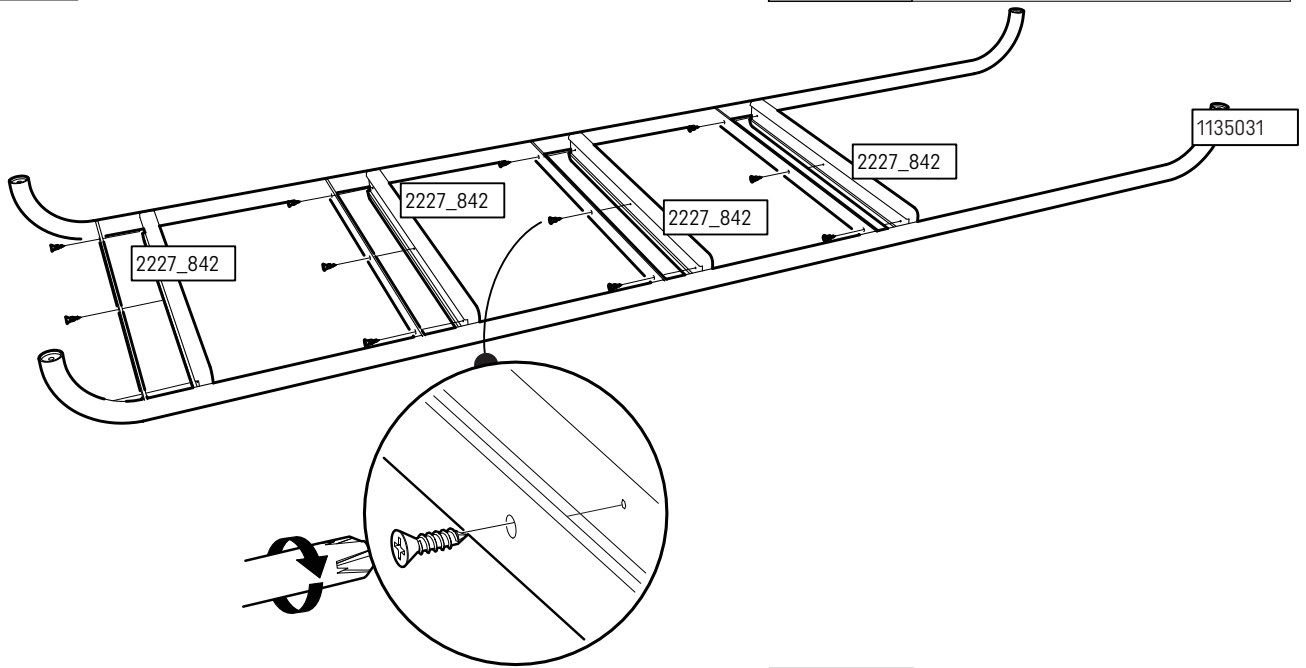


30


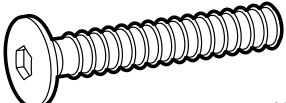


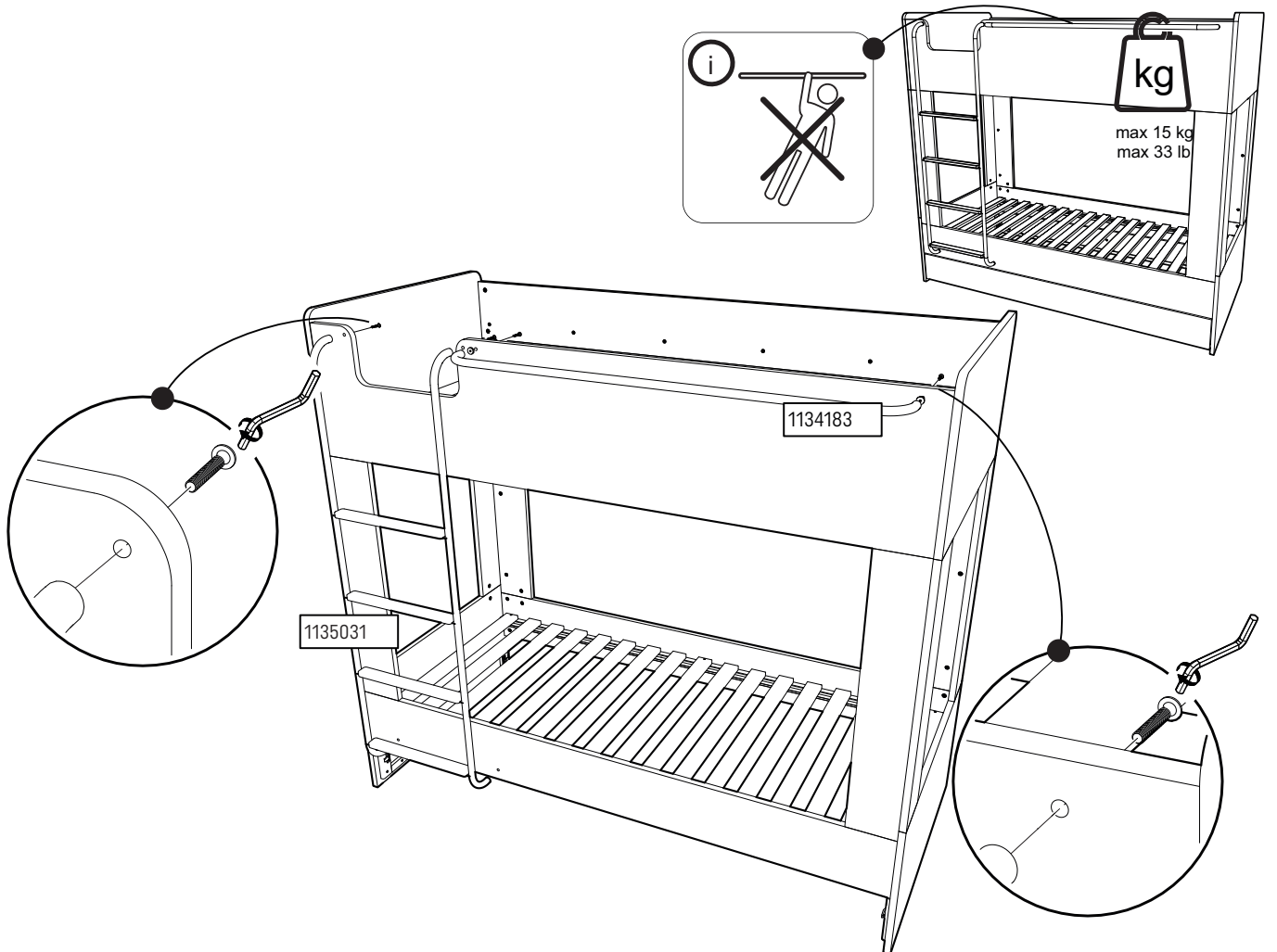
31

	1005681		x 12
--	---------	---	------

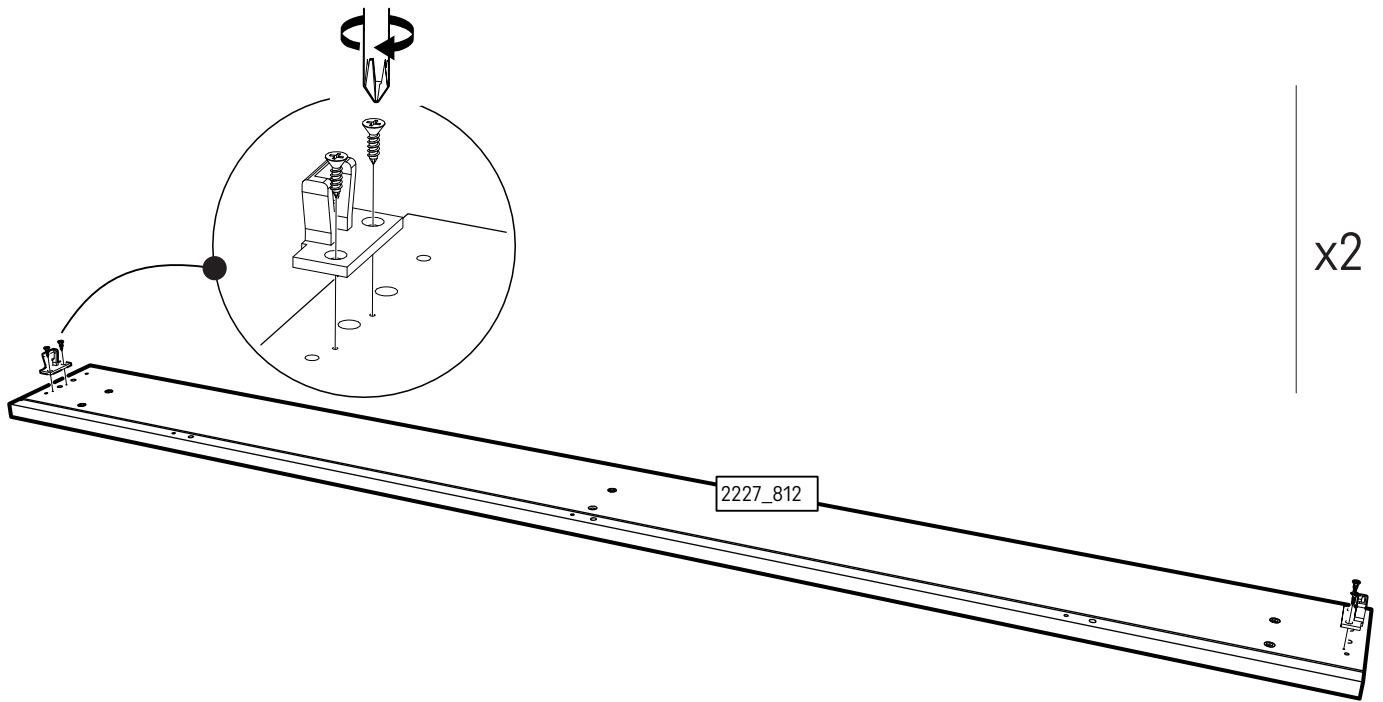
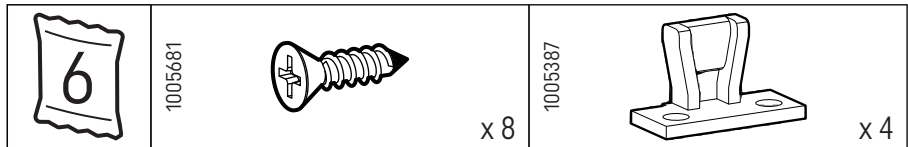


32

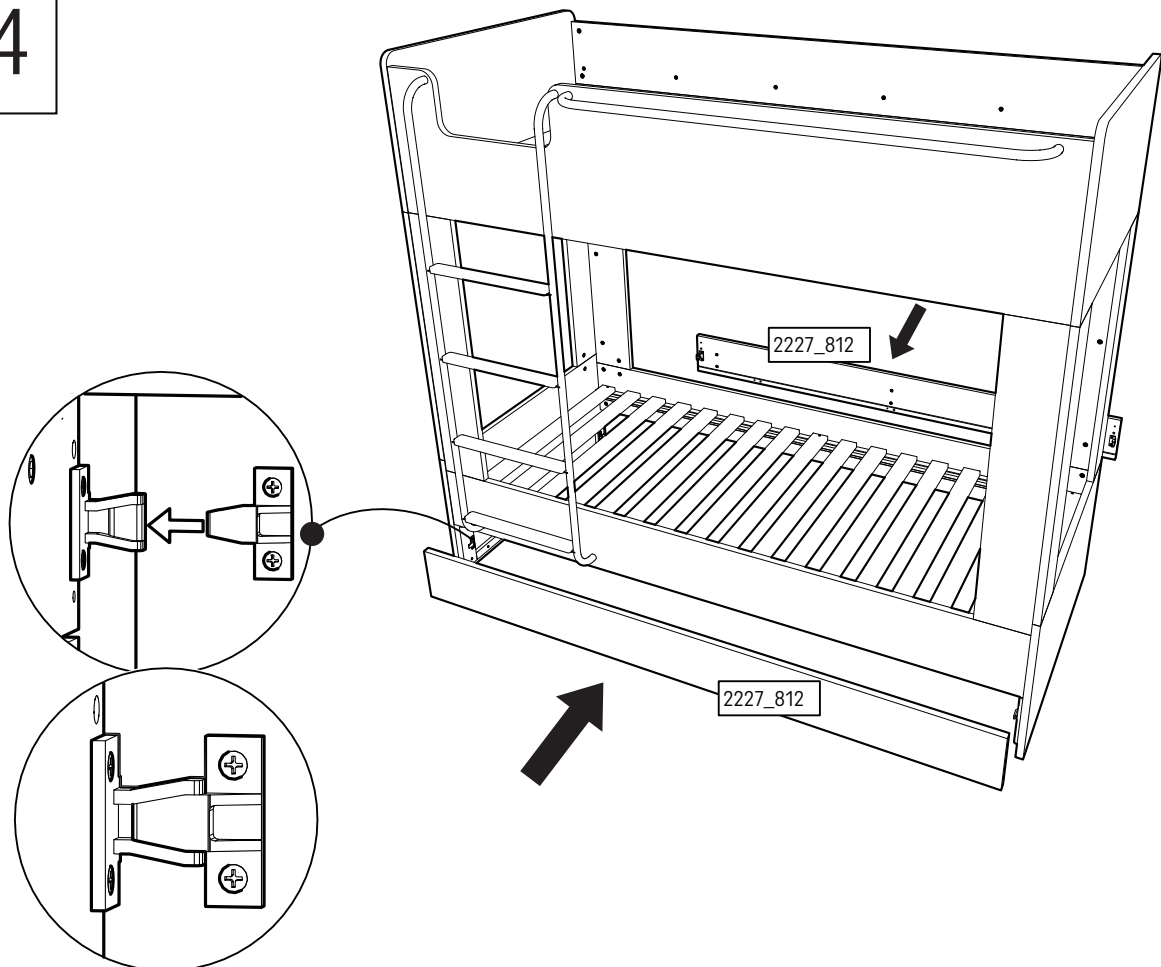
	1006073		x 6
---	---------	--	-----

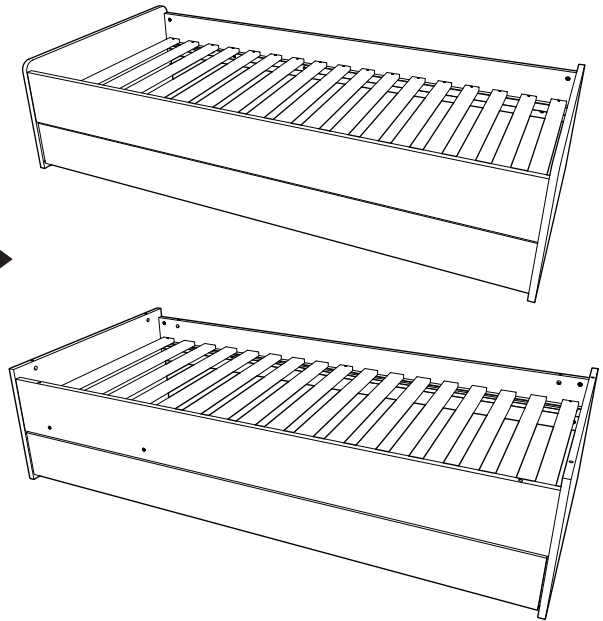
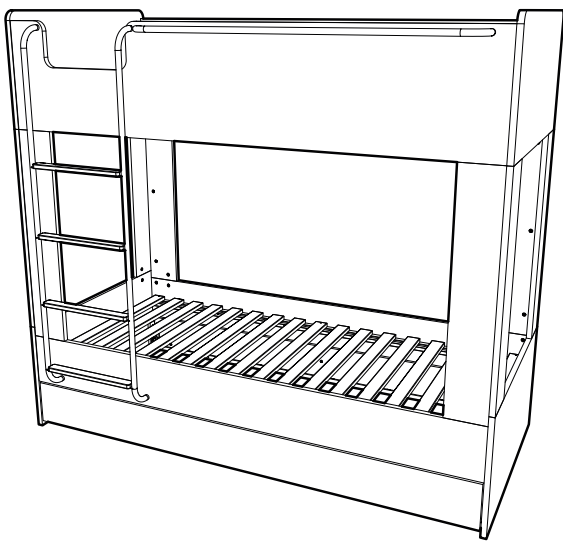


33

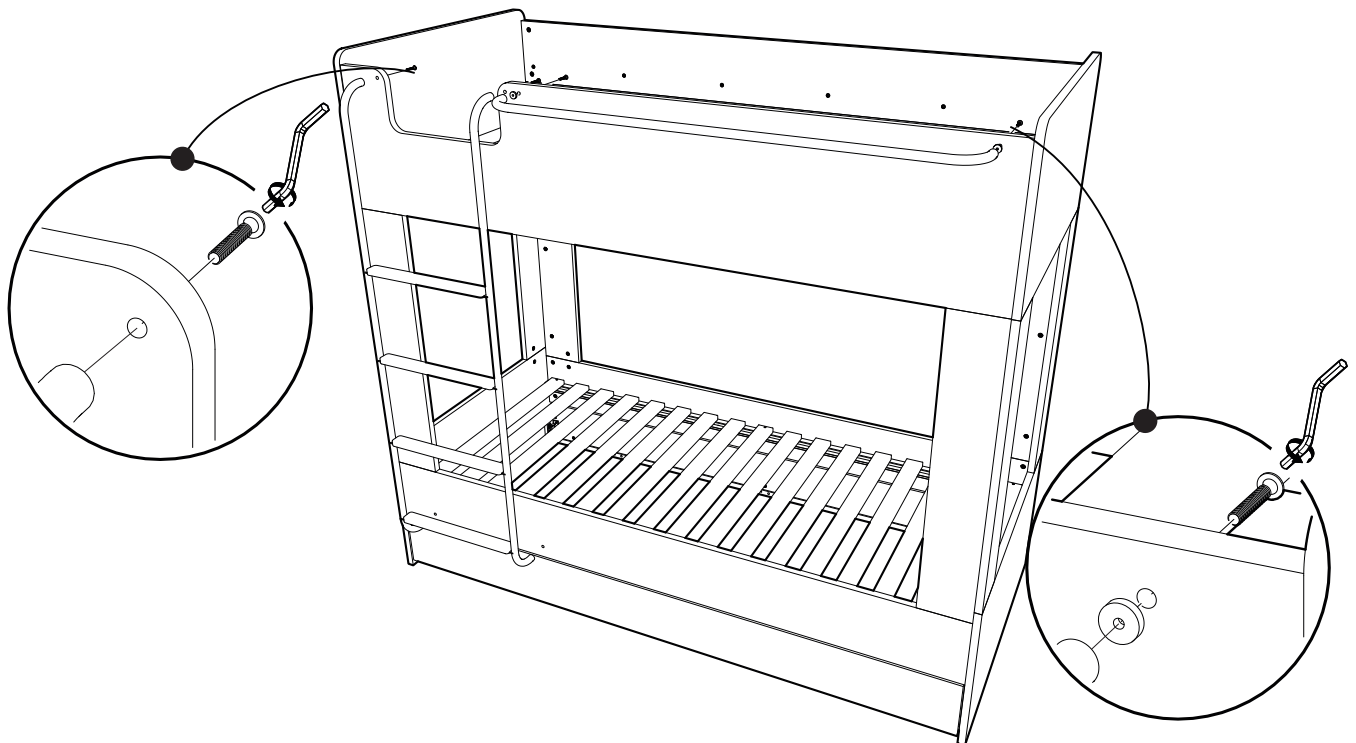


34

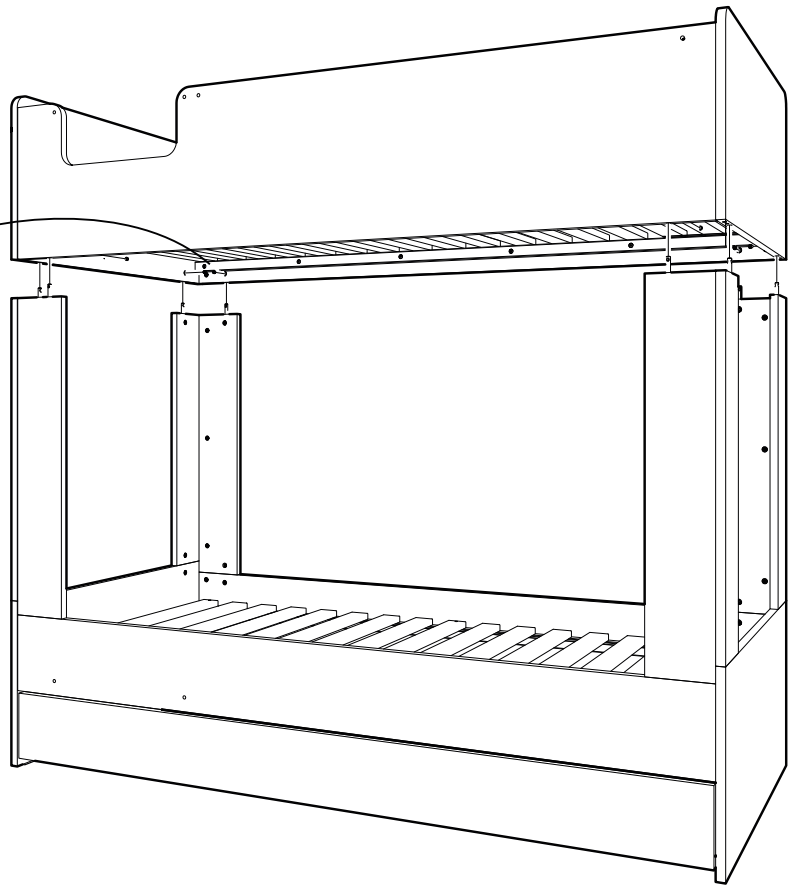
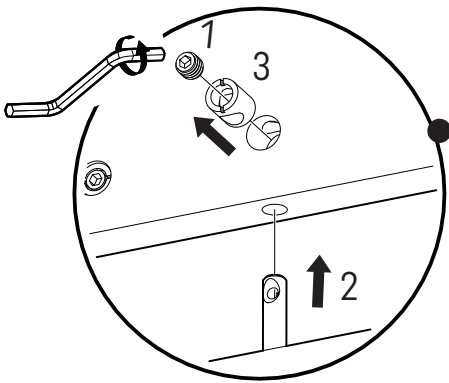




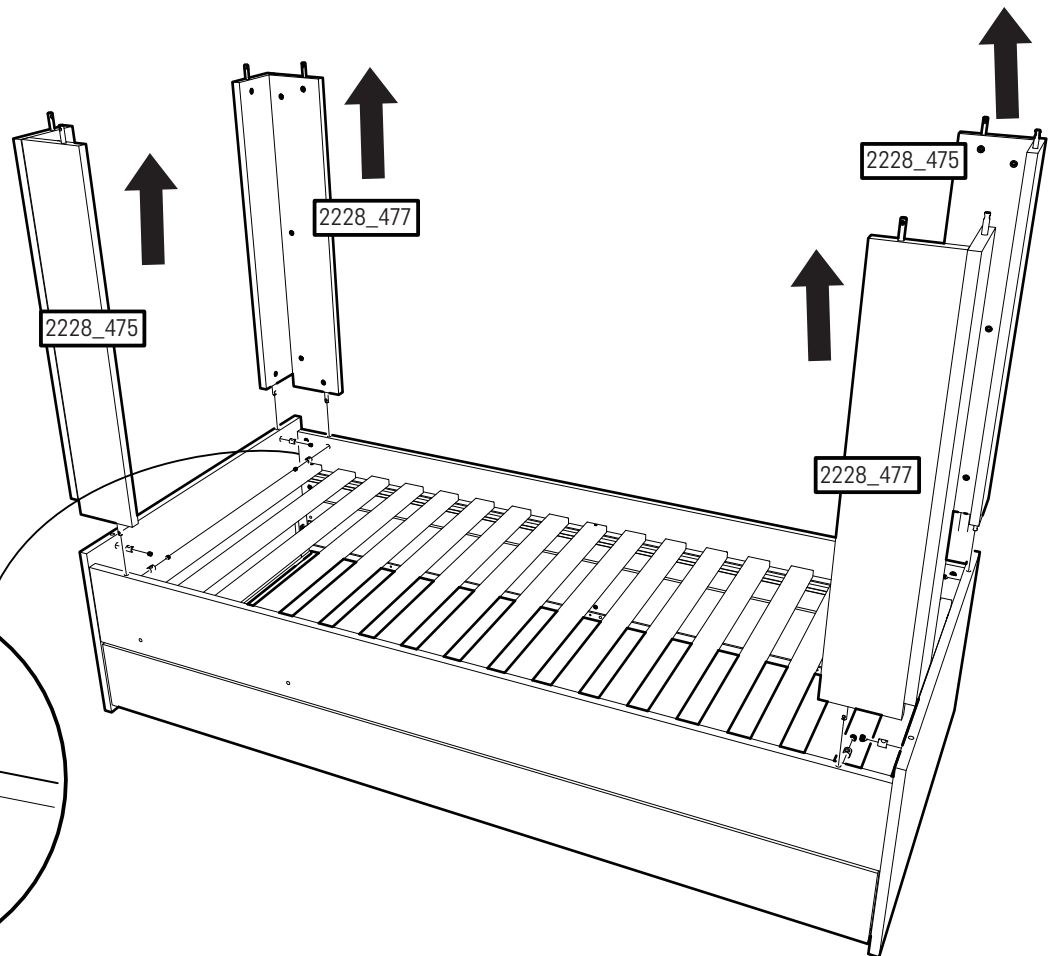
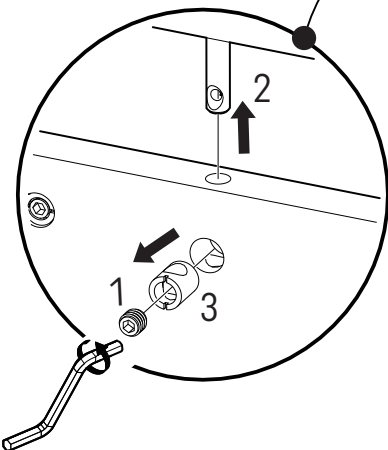
35



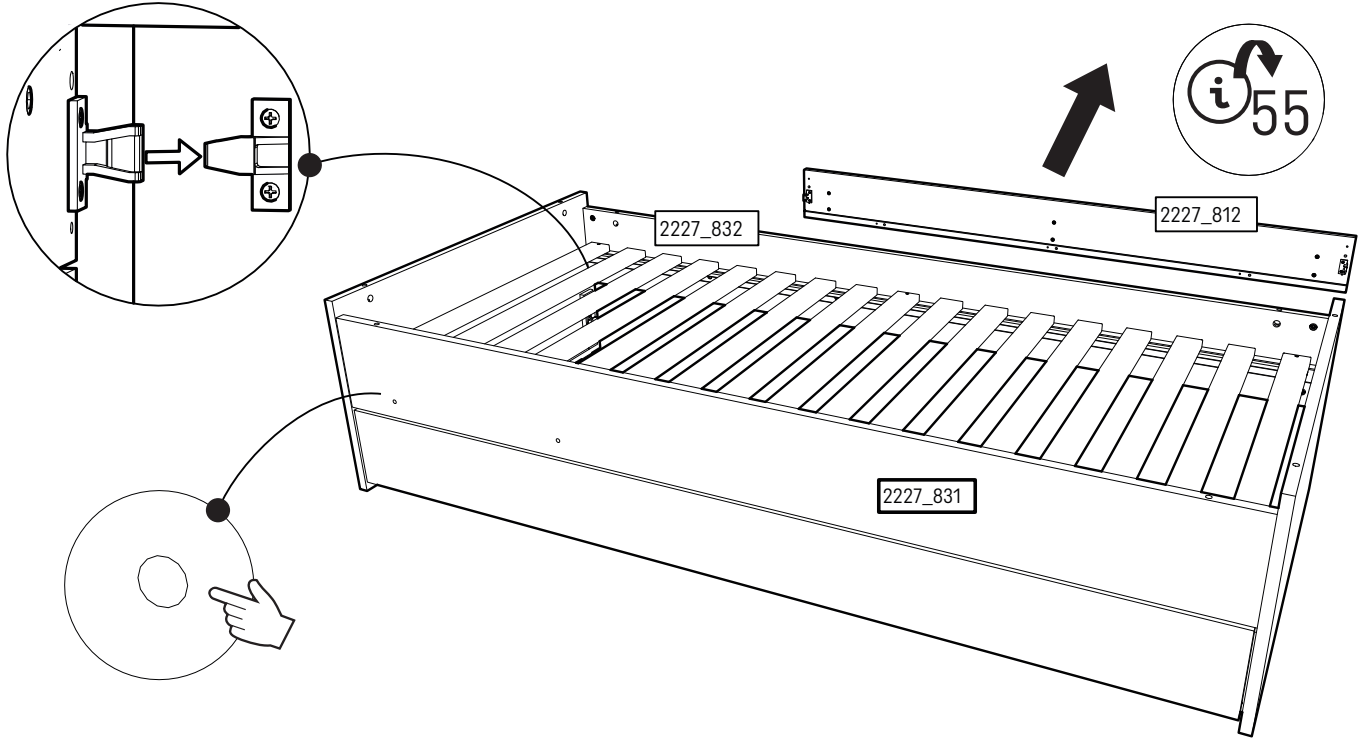
36



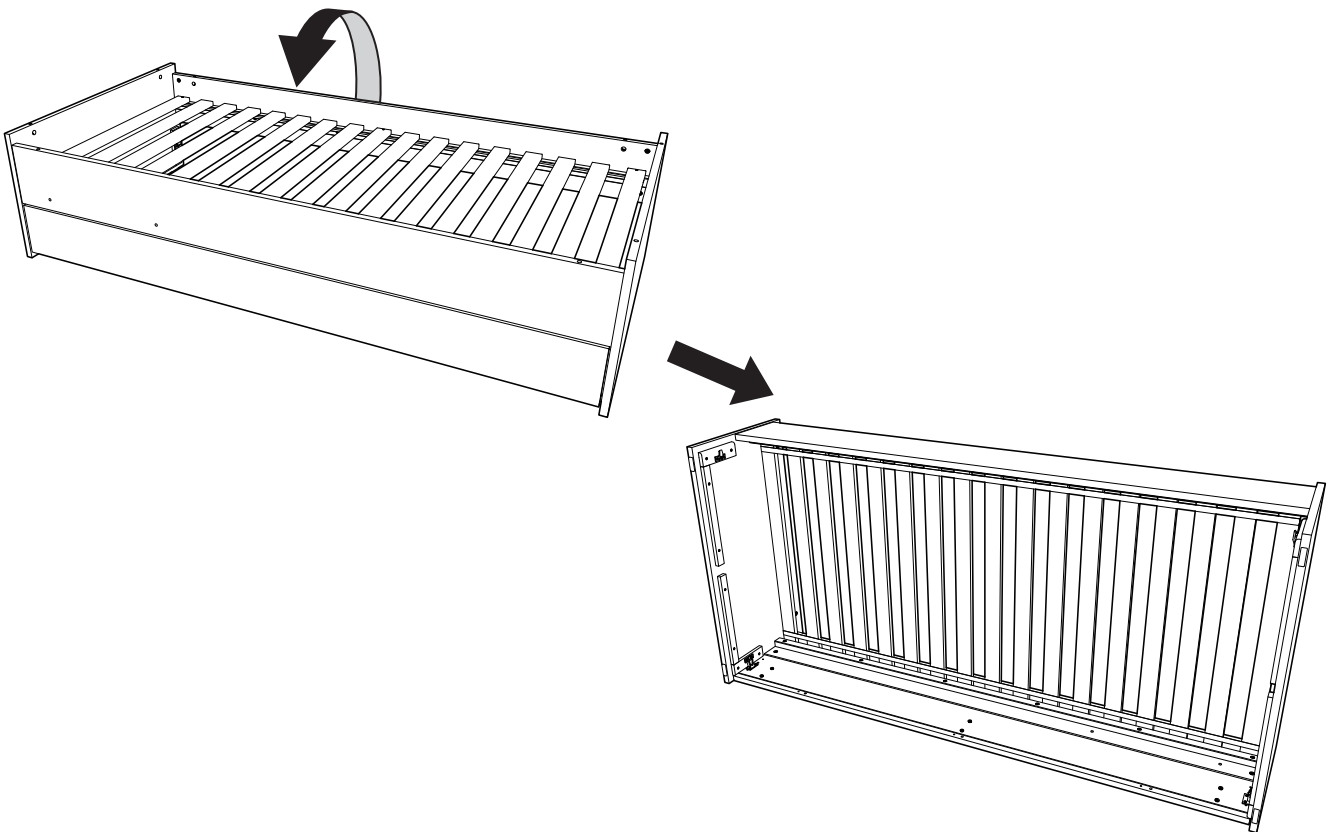
37



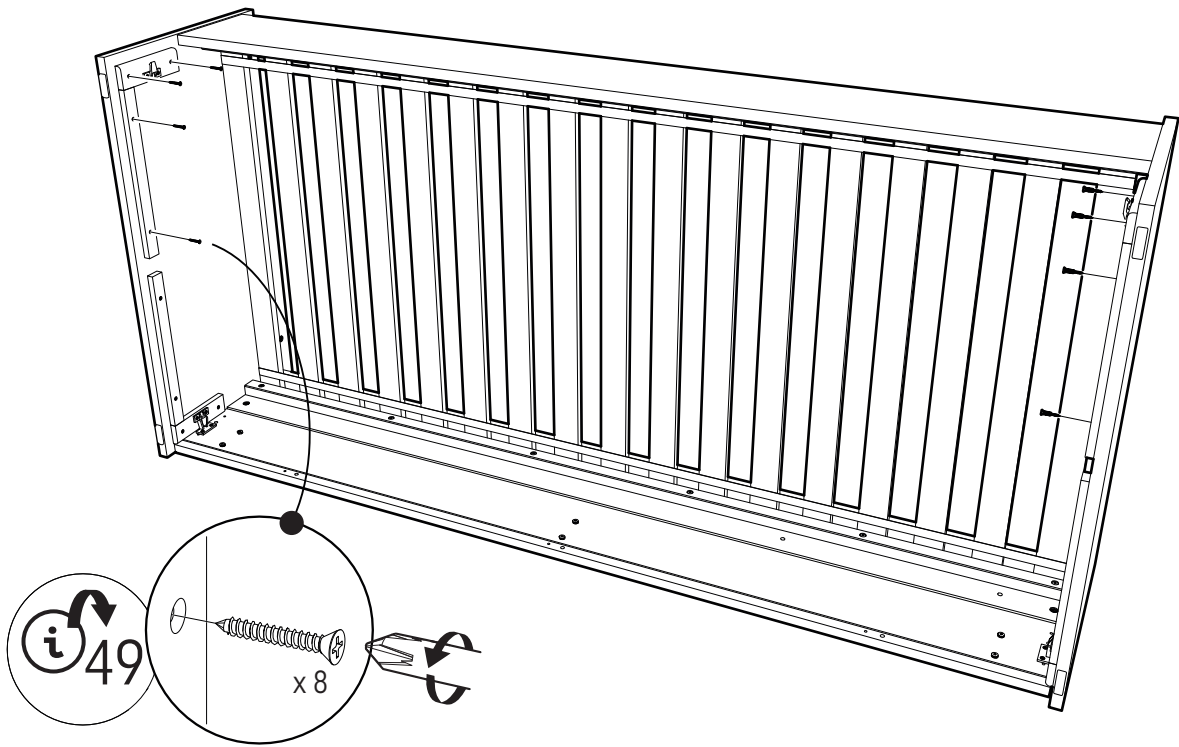
38



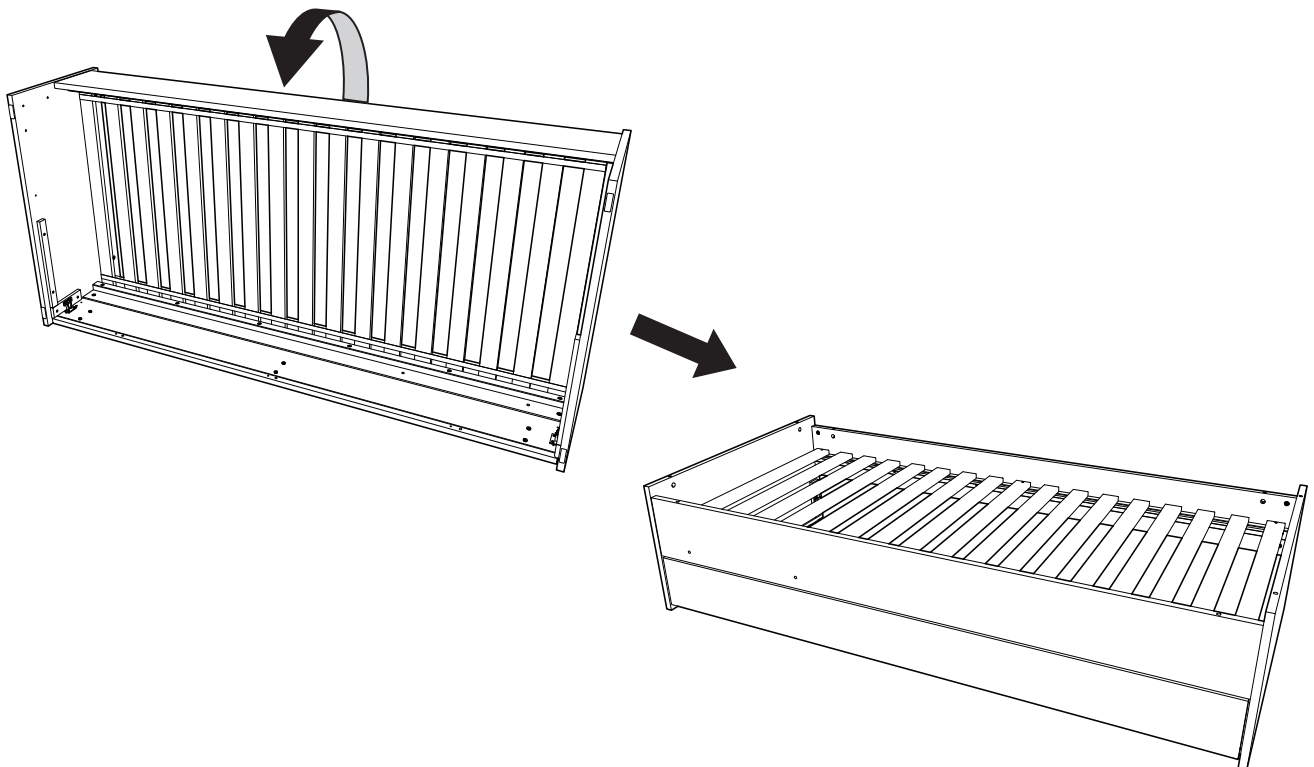
39



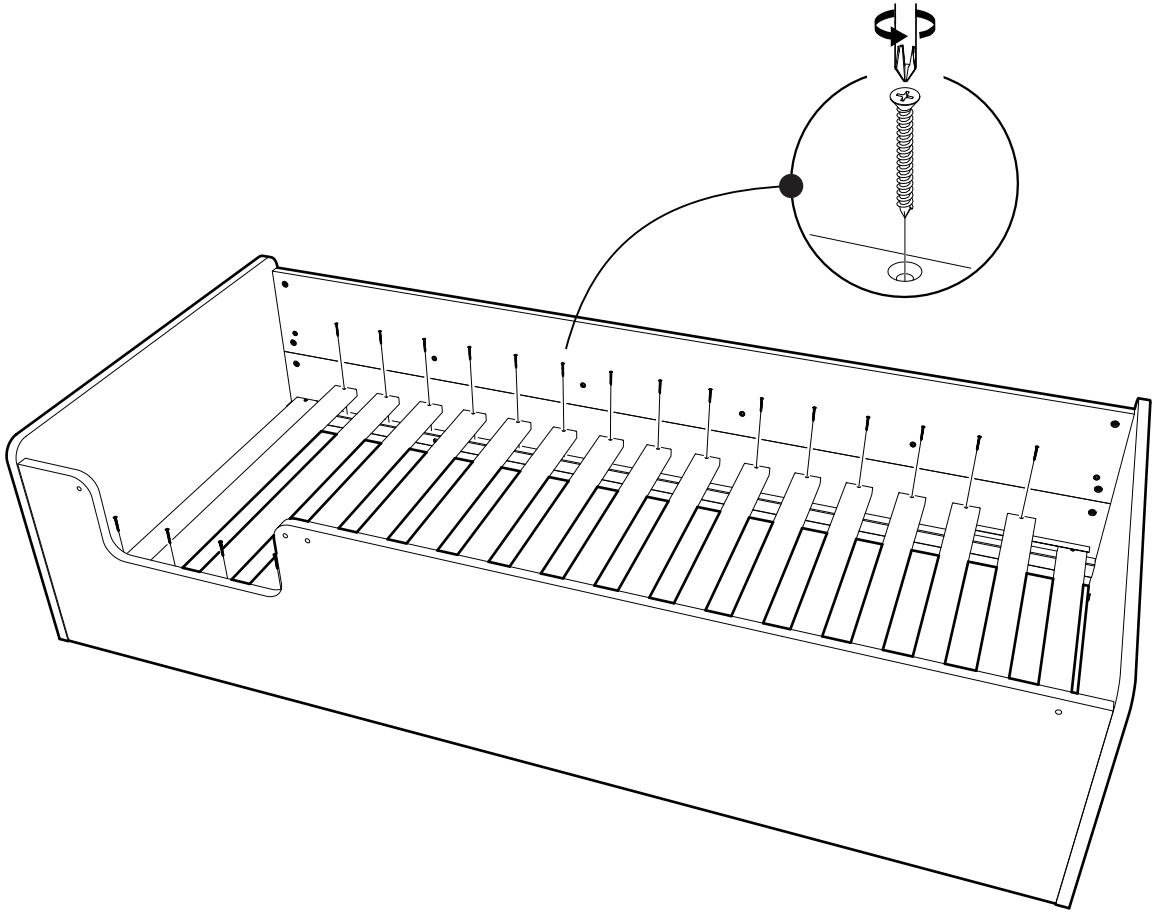
40



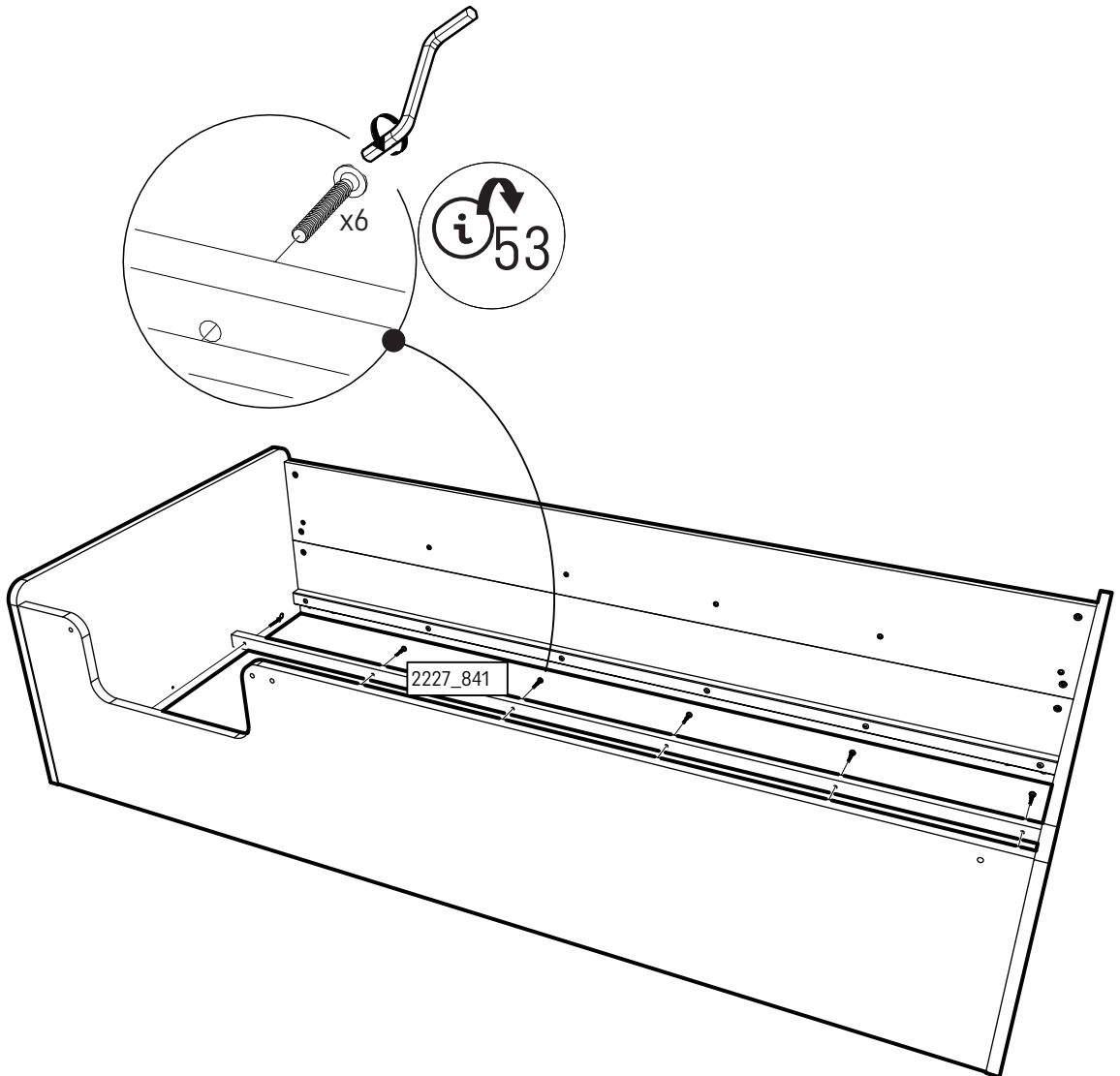
41



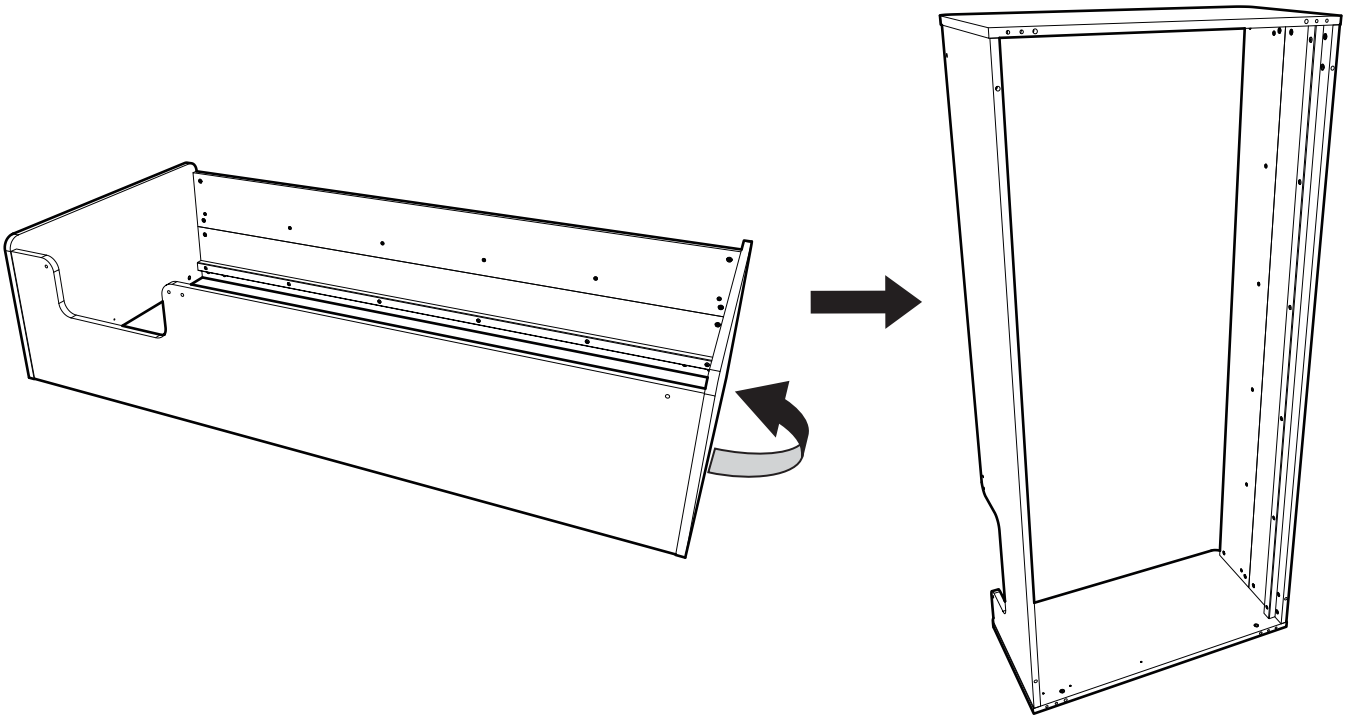
42



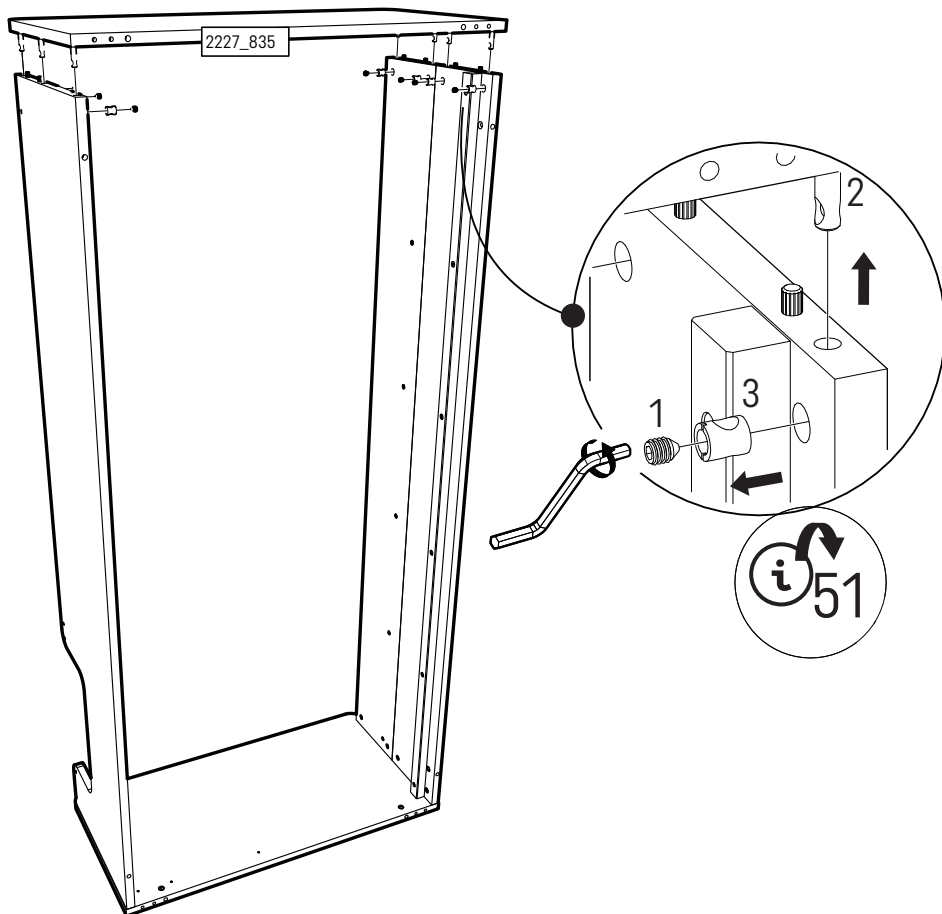
43



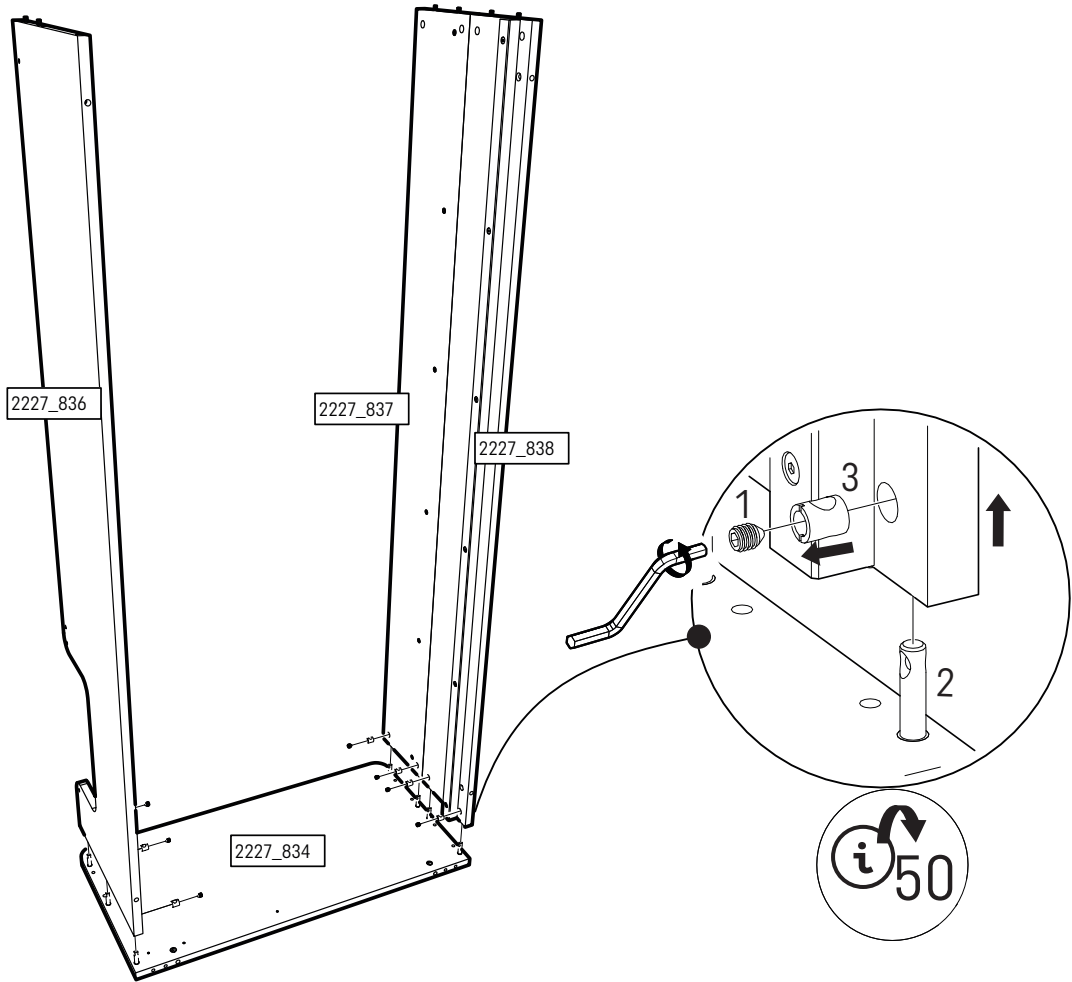
44



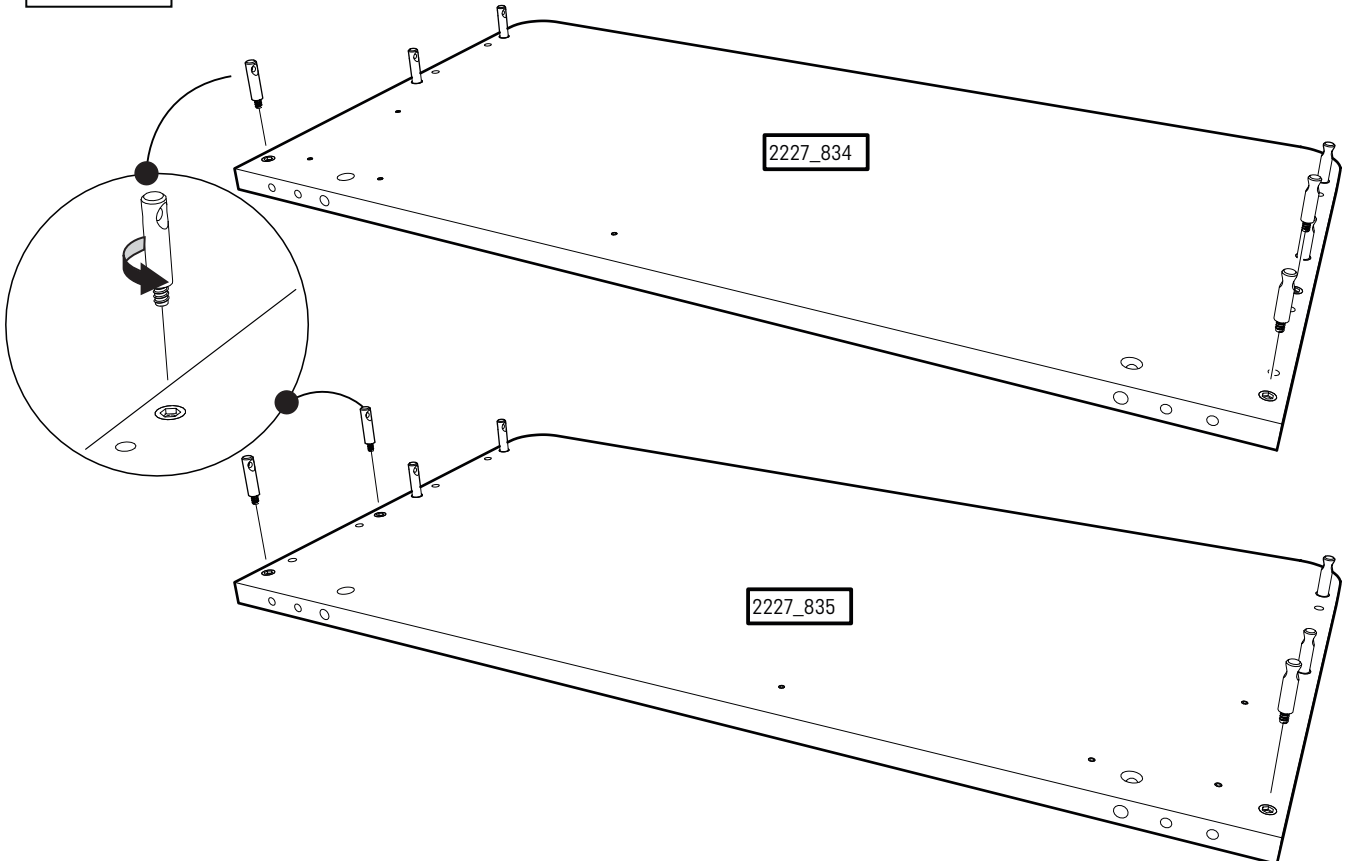
45




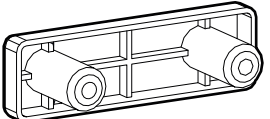
46

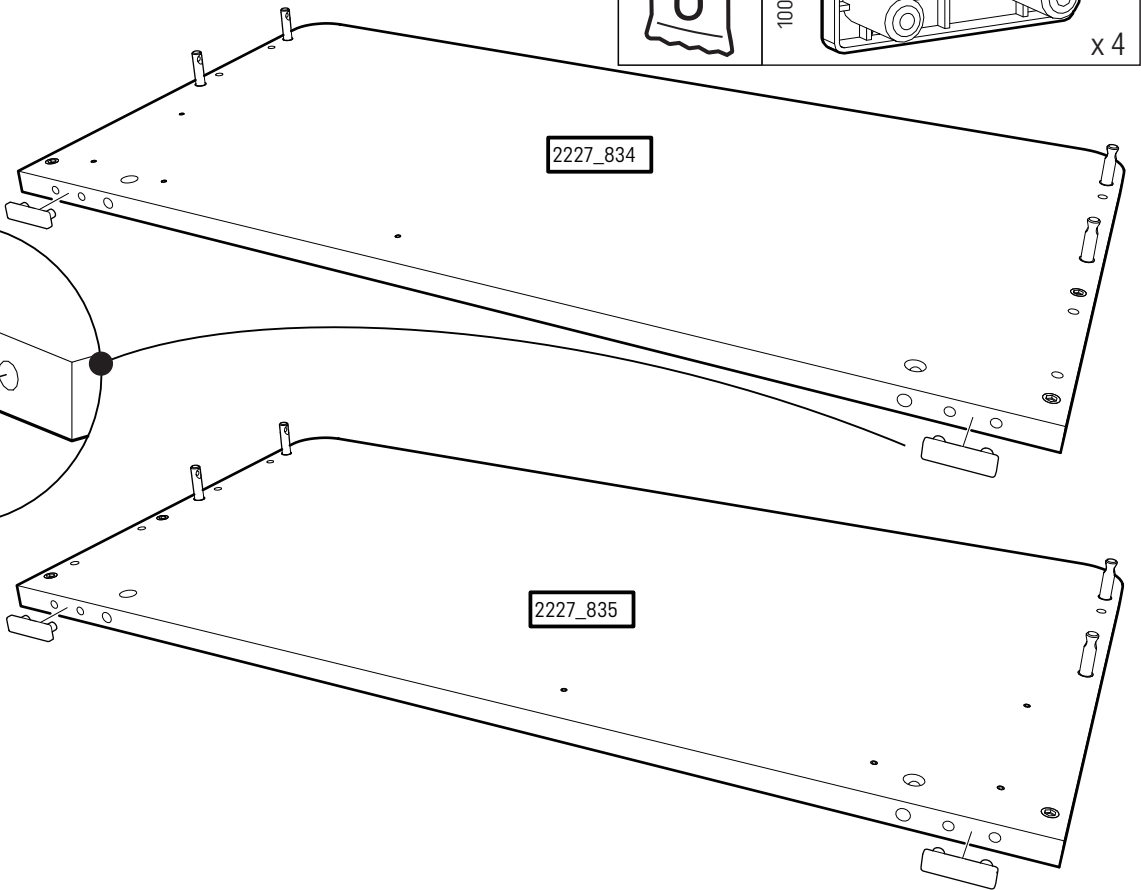
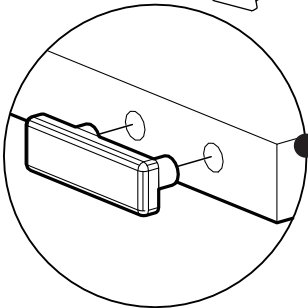


47

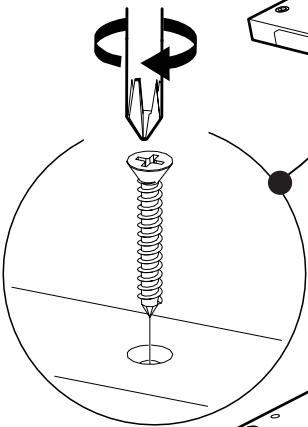
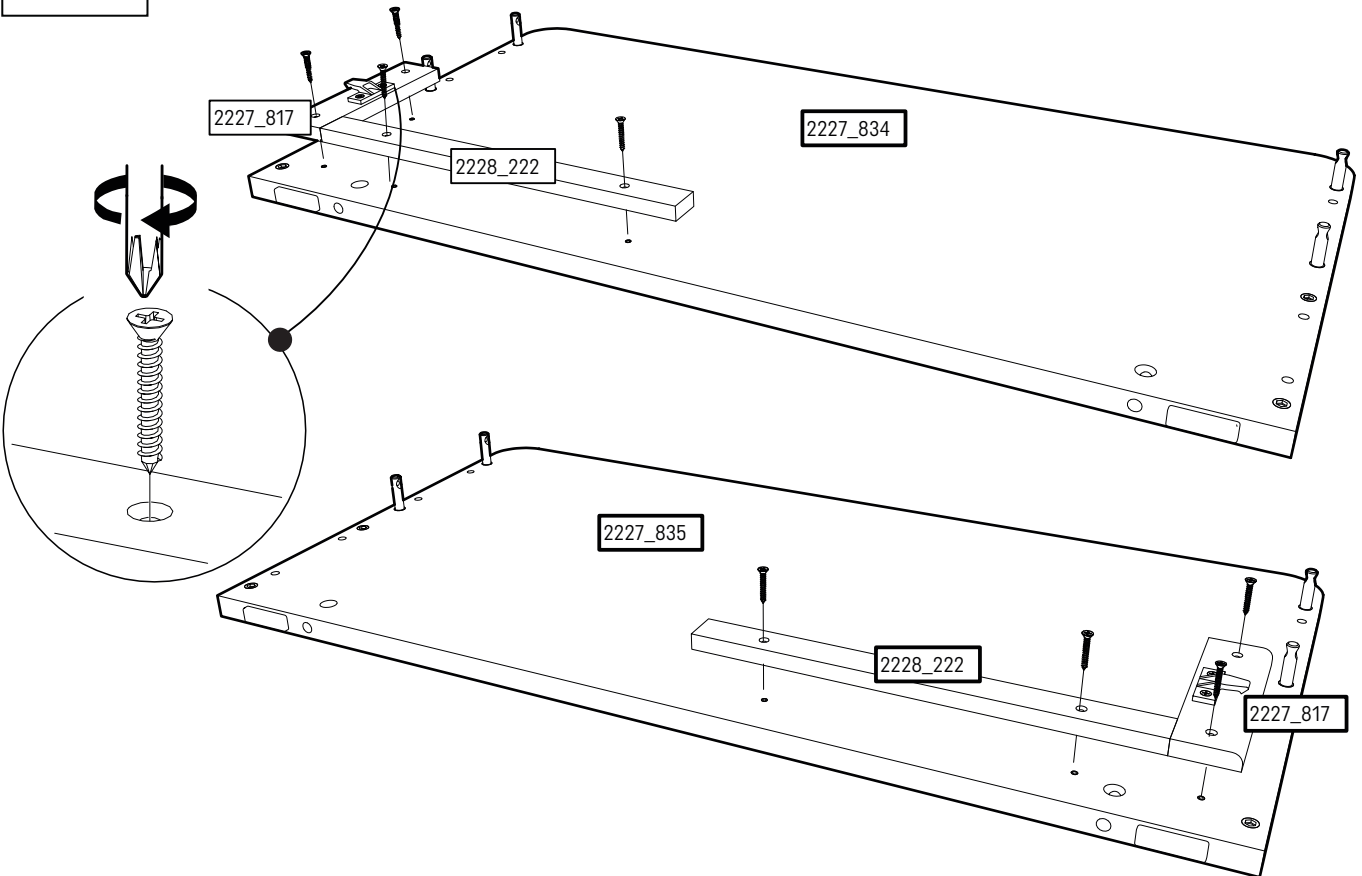


48

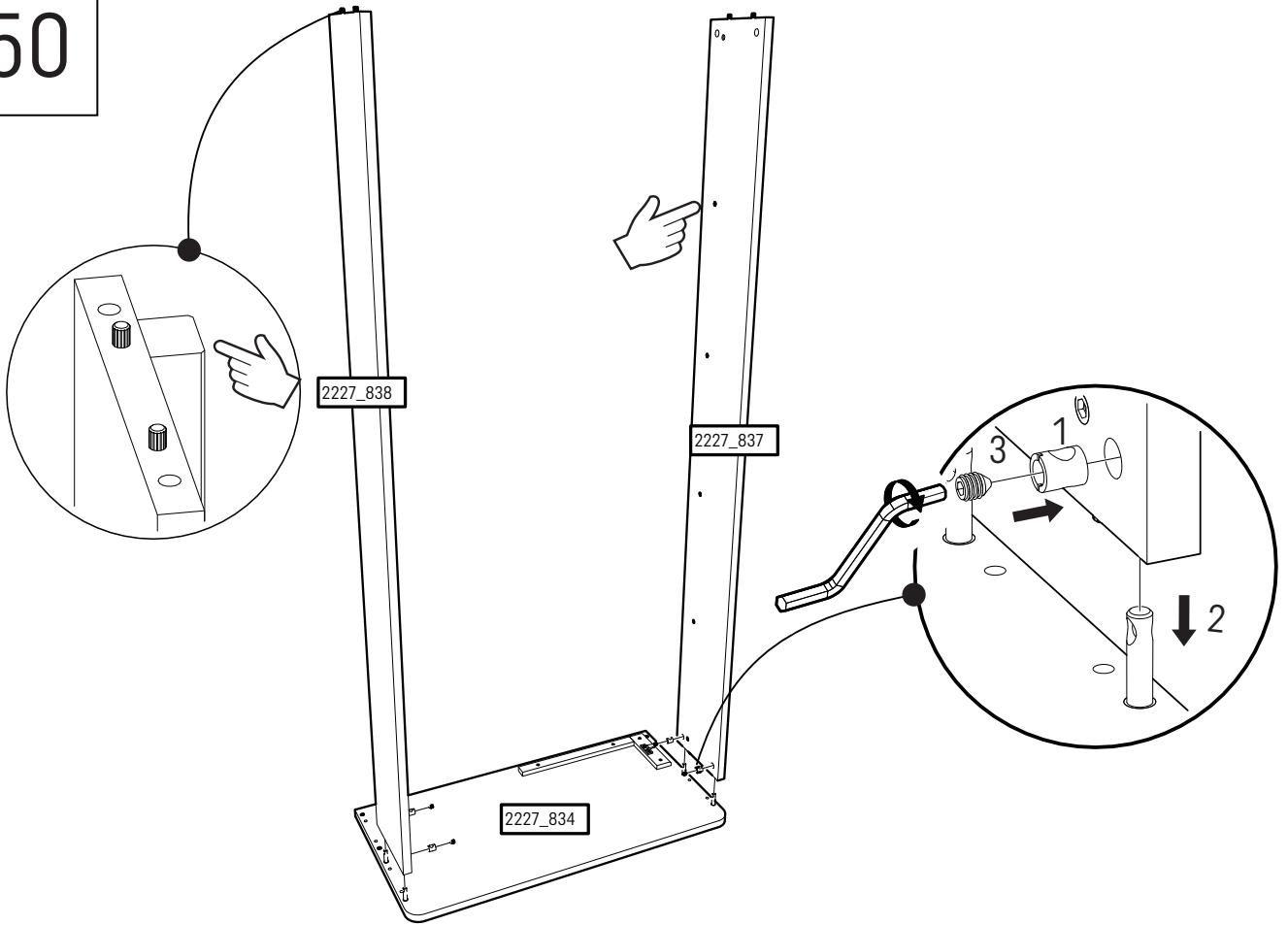
 <p>6</p>	<p>1000868</p>	 <p>x 4</p>
---	----------------	--



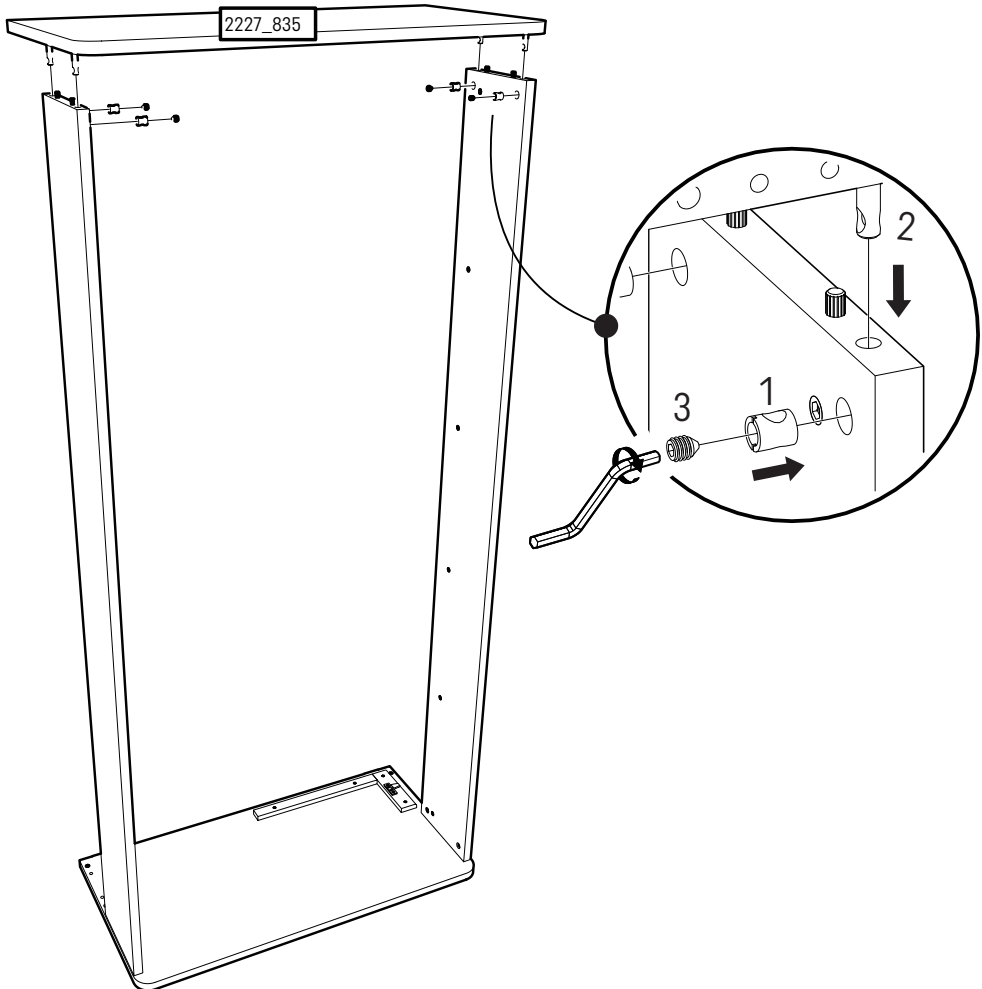
49



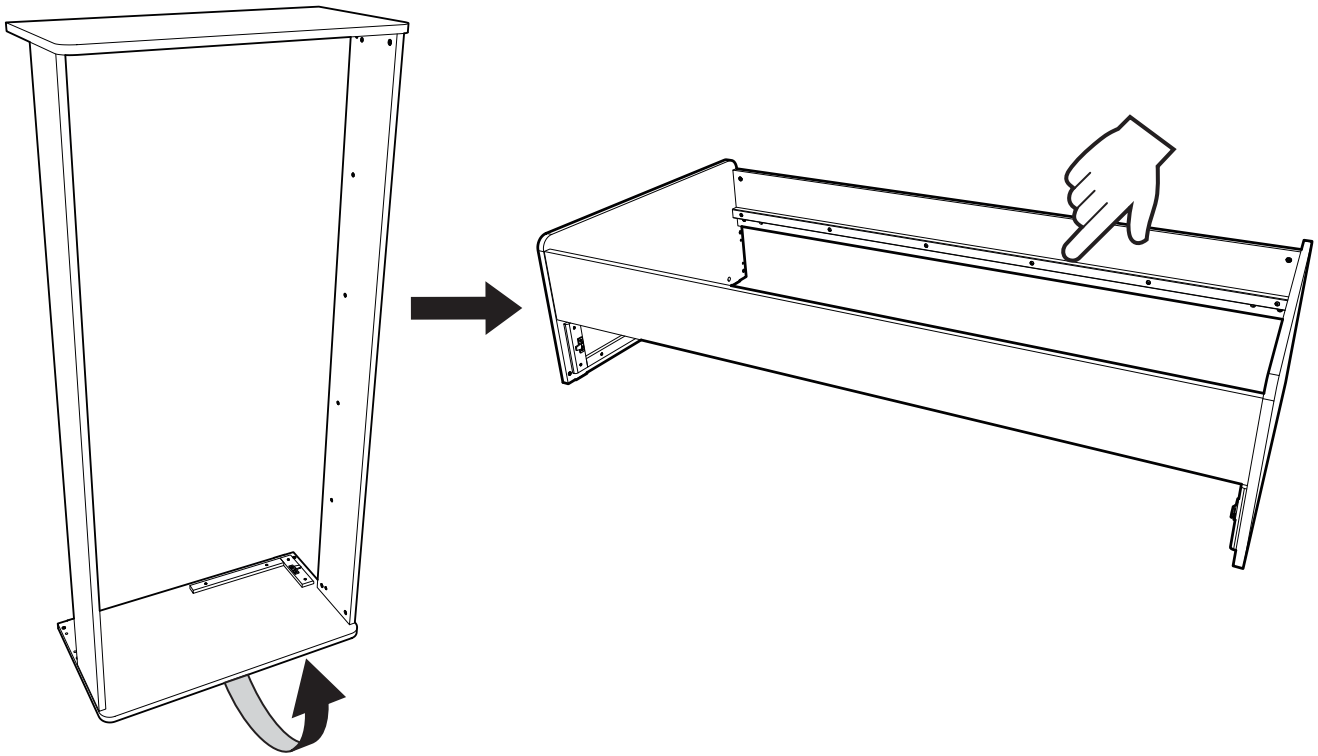
50



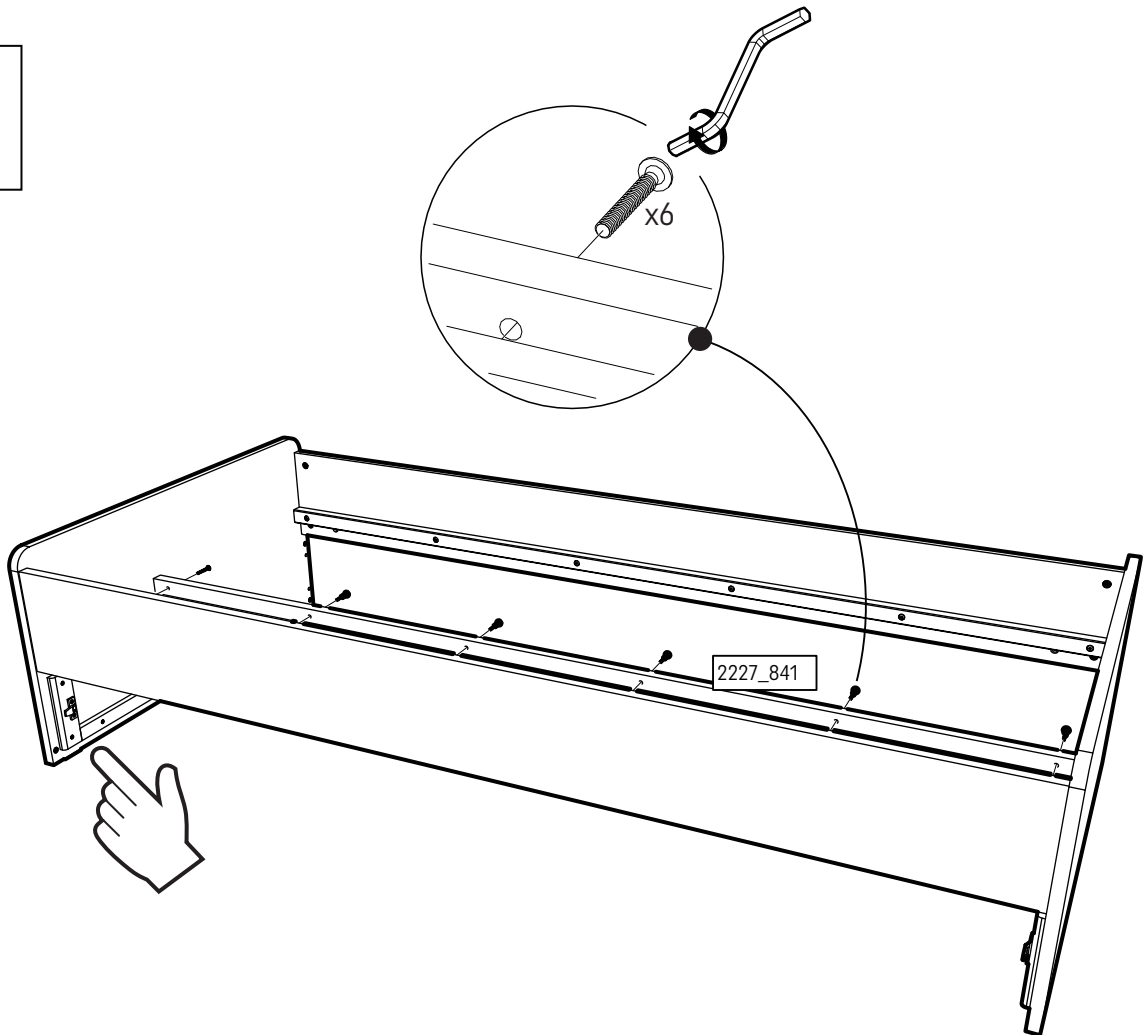
51



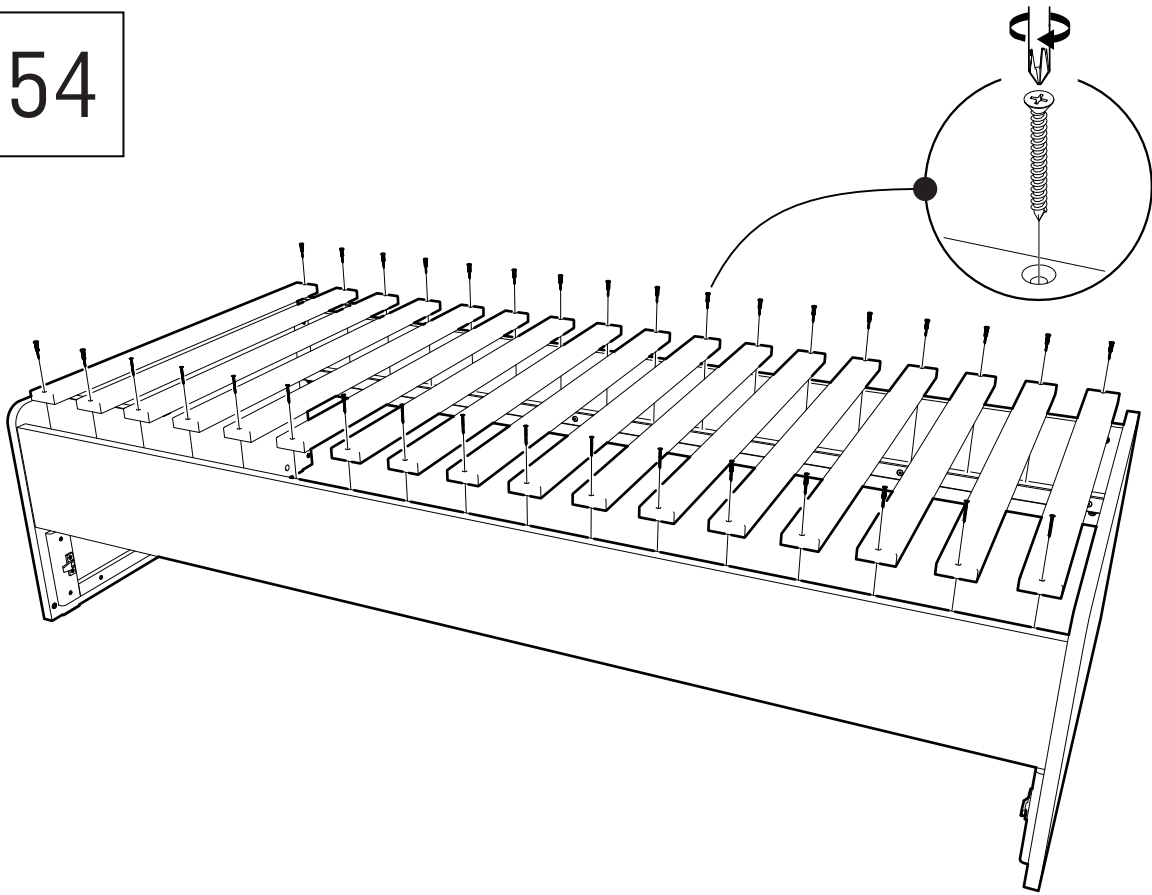
52



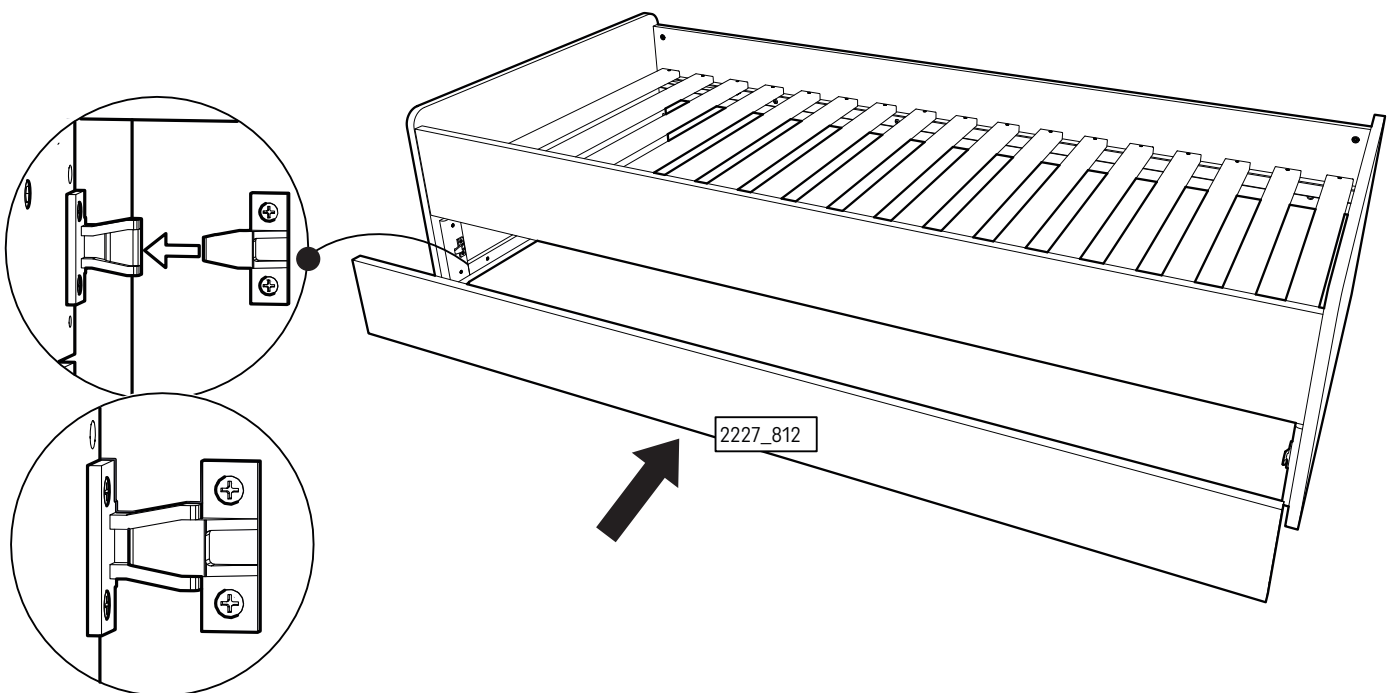
53



54

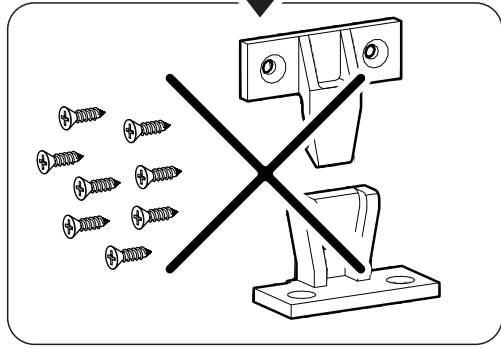
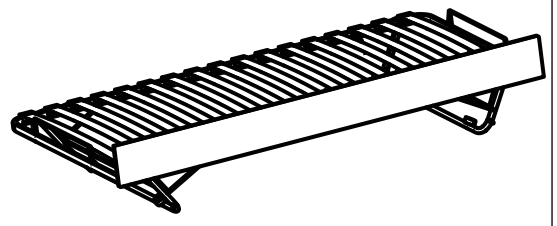


55



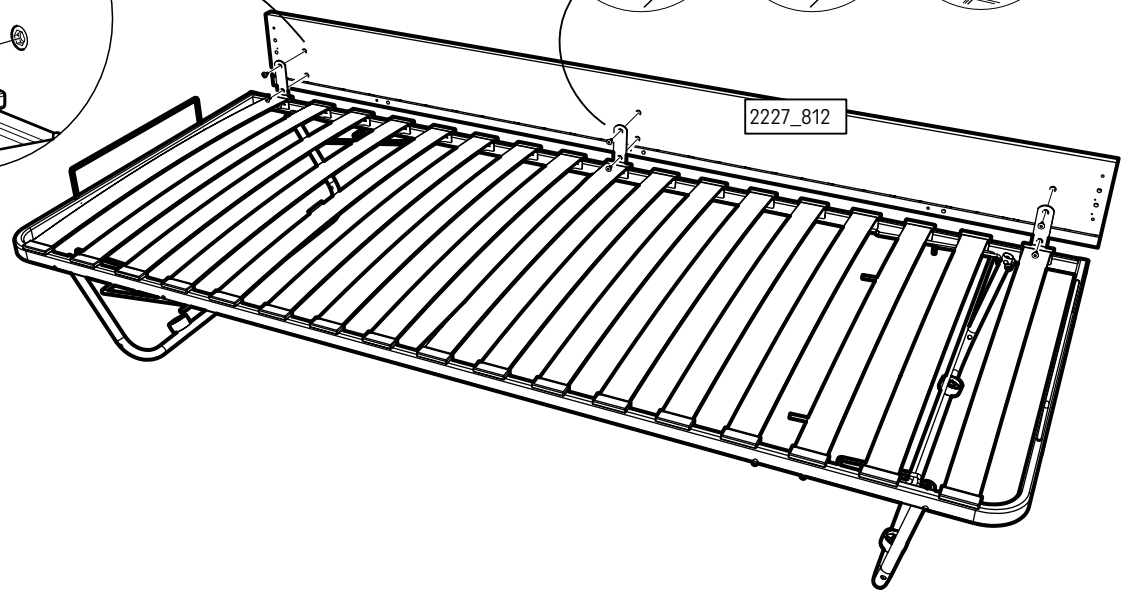
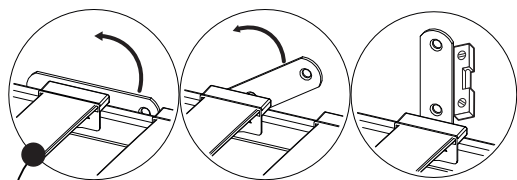
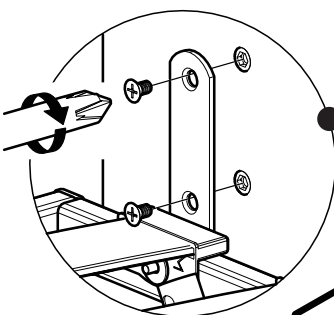


+

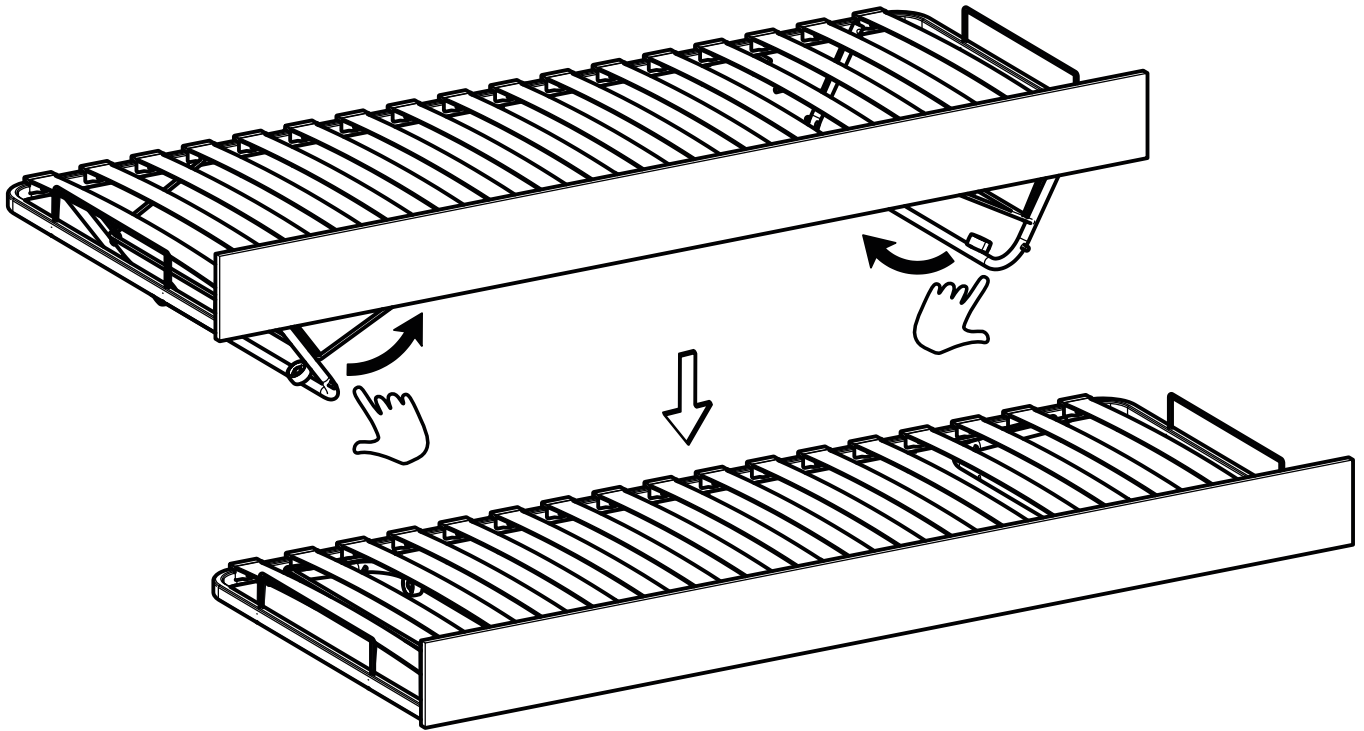


56

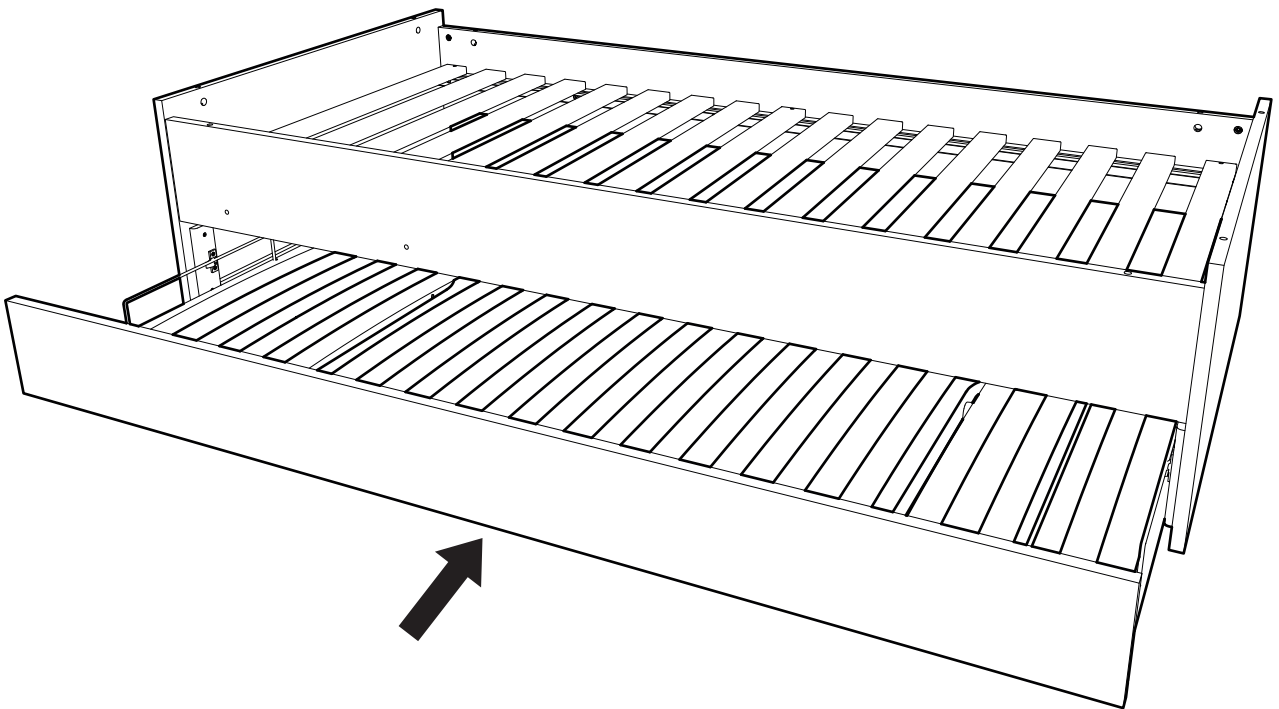
	1005386		x 6
--	---------	--	-----



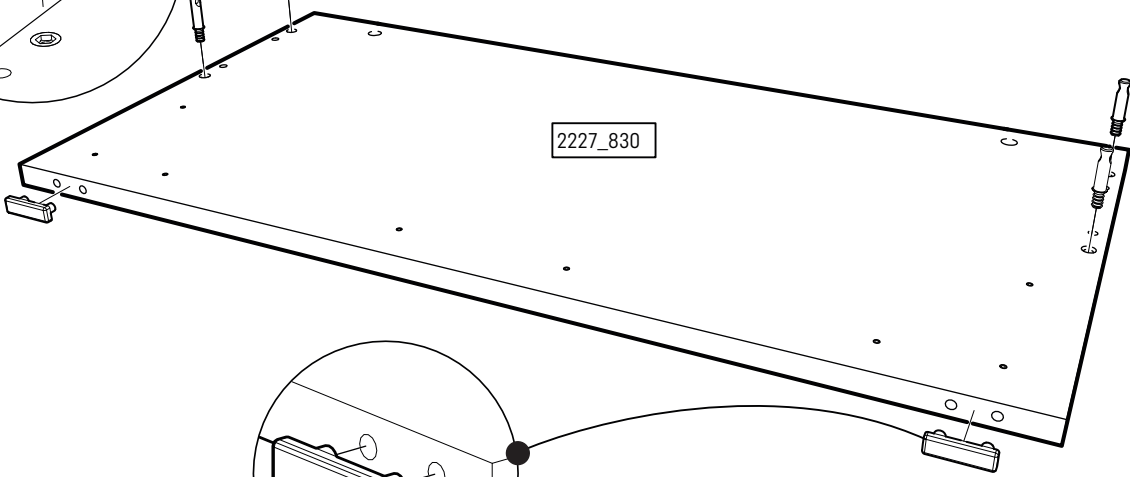
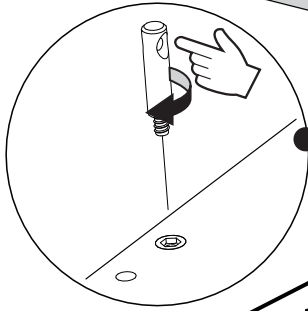
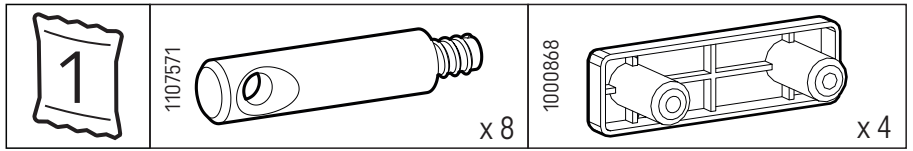
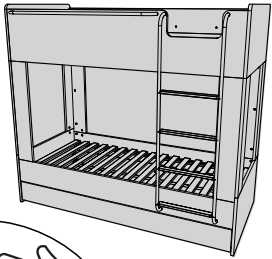
57



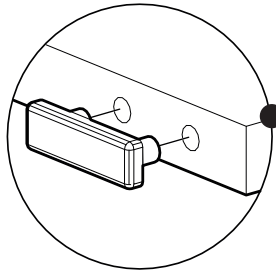
58



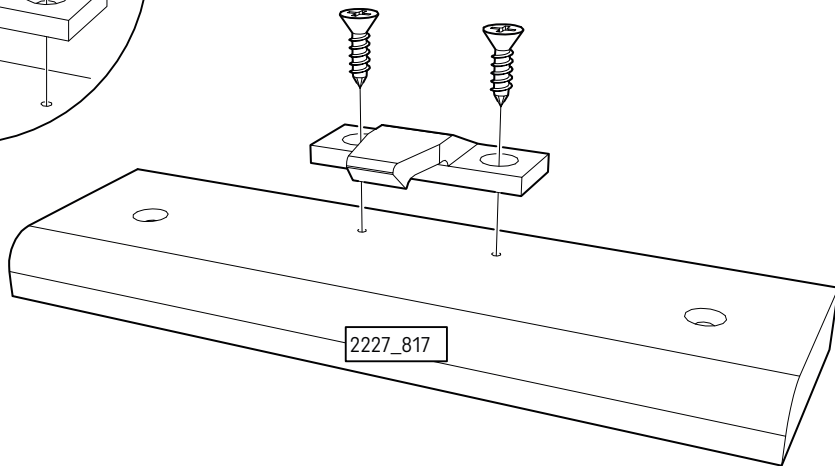
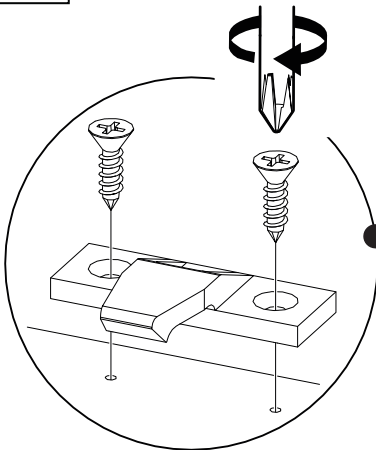
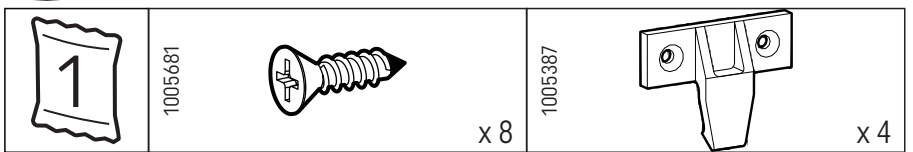
1



x2


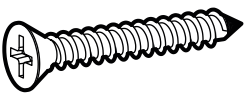


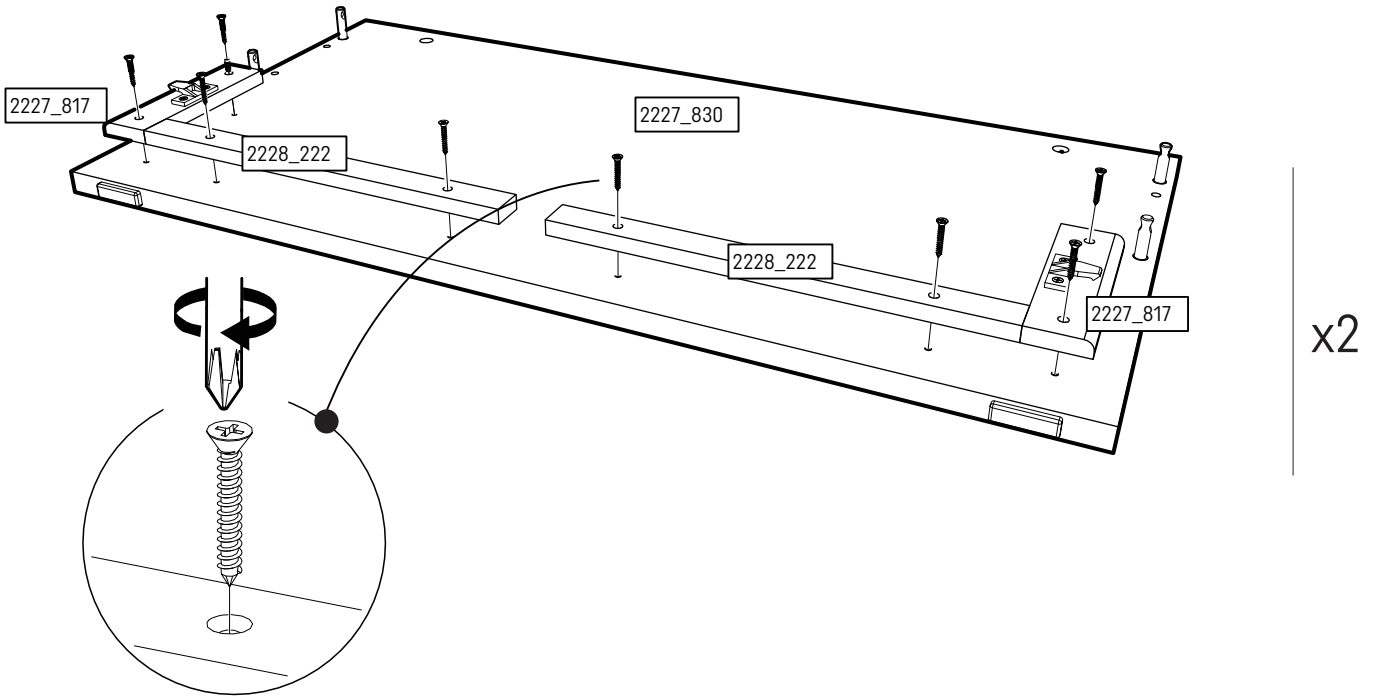
2




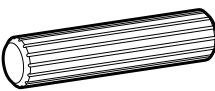
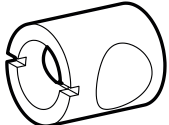
x4

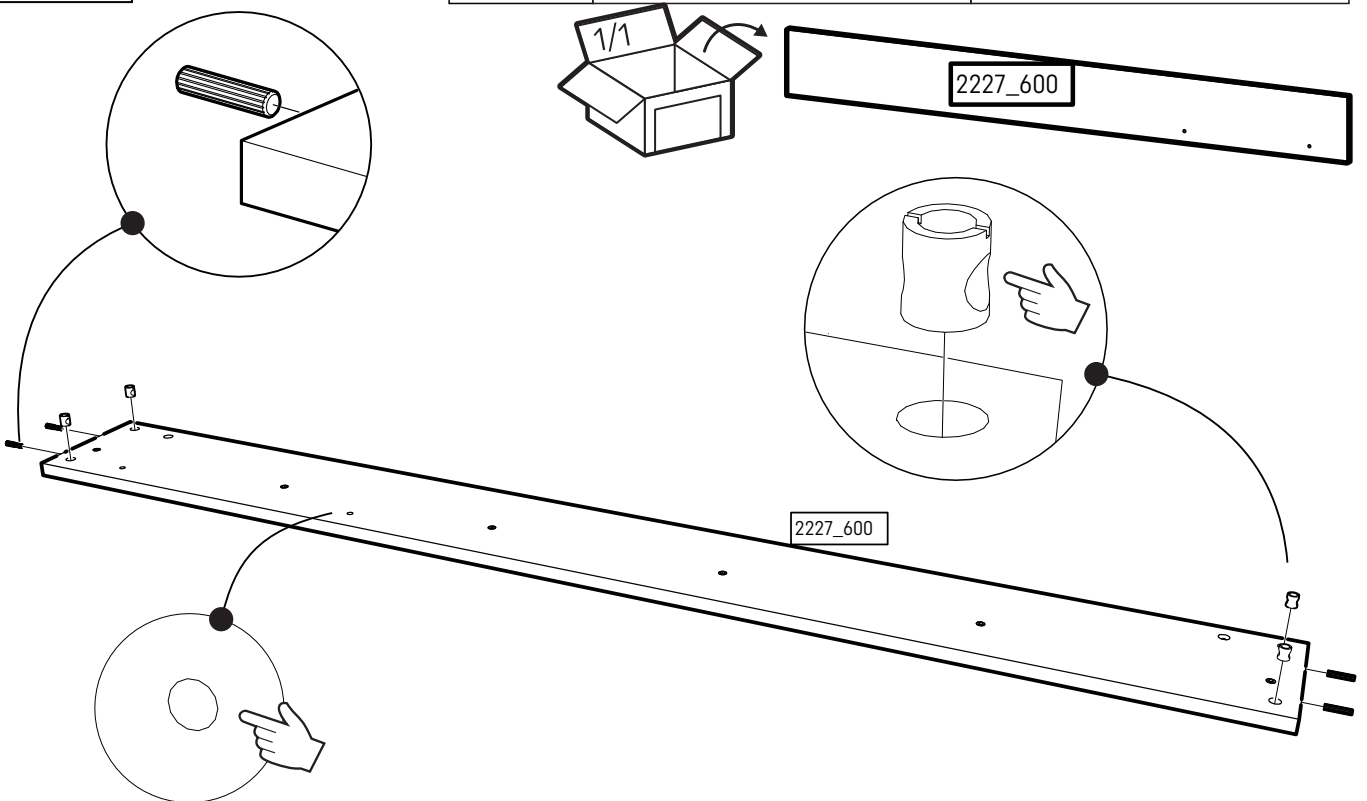
3

 <p>1</p>	<p>1005426</p>	 <p>x 16</p>
---	----------------	---

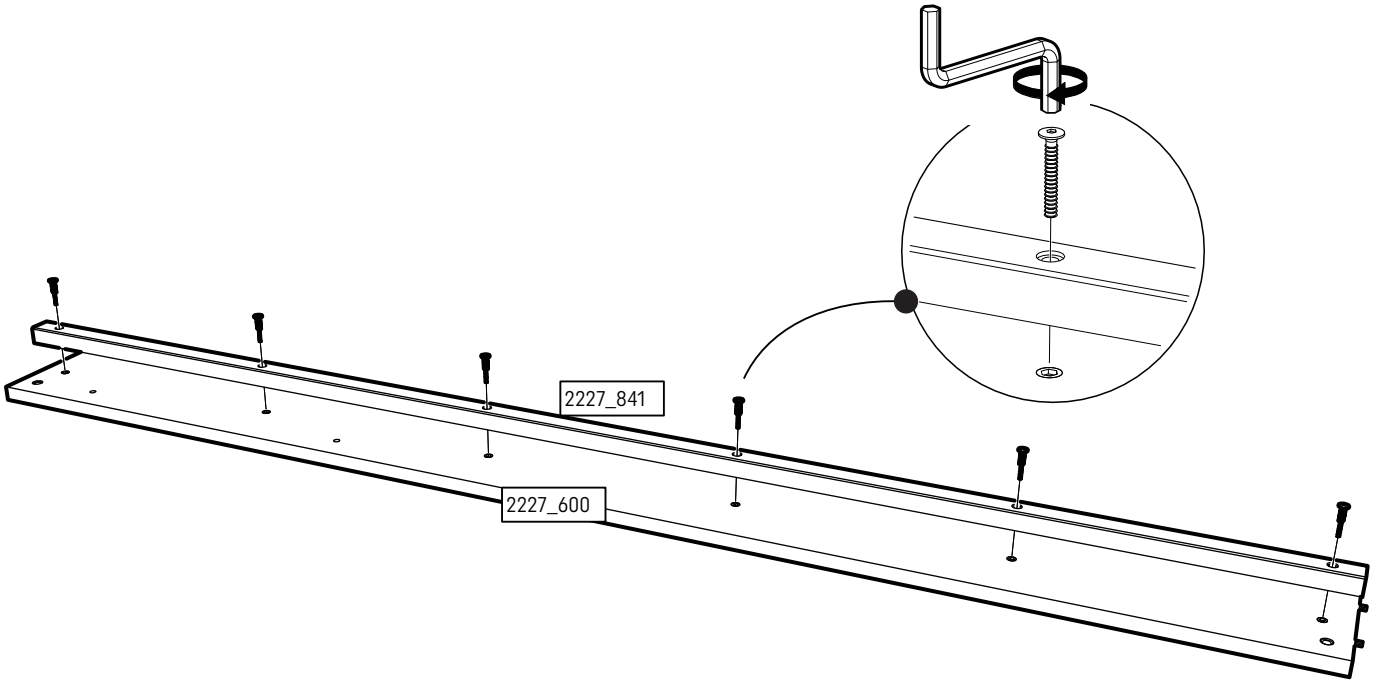
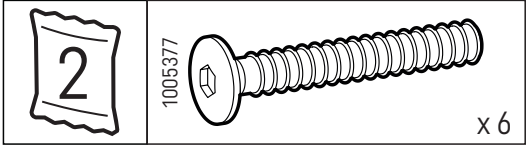


4

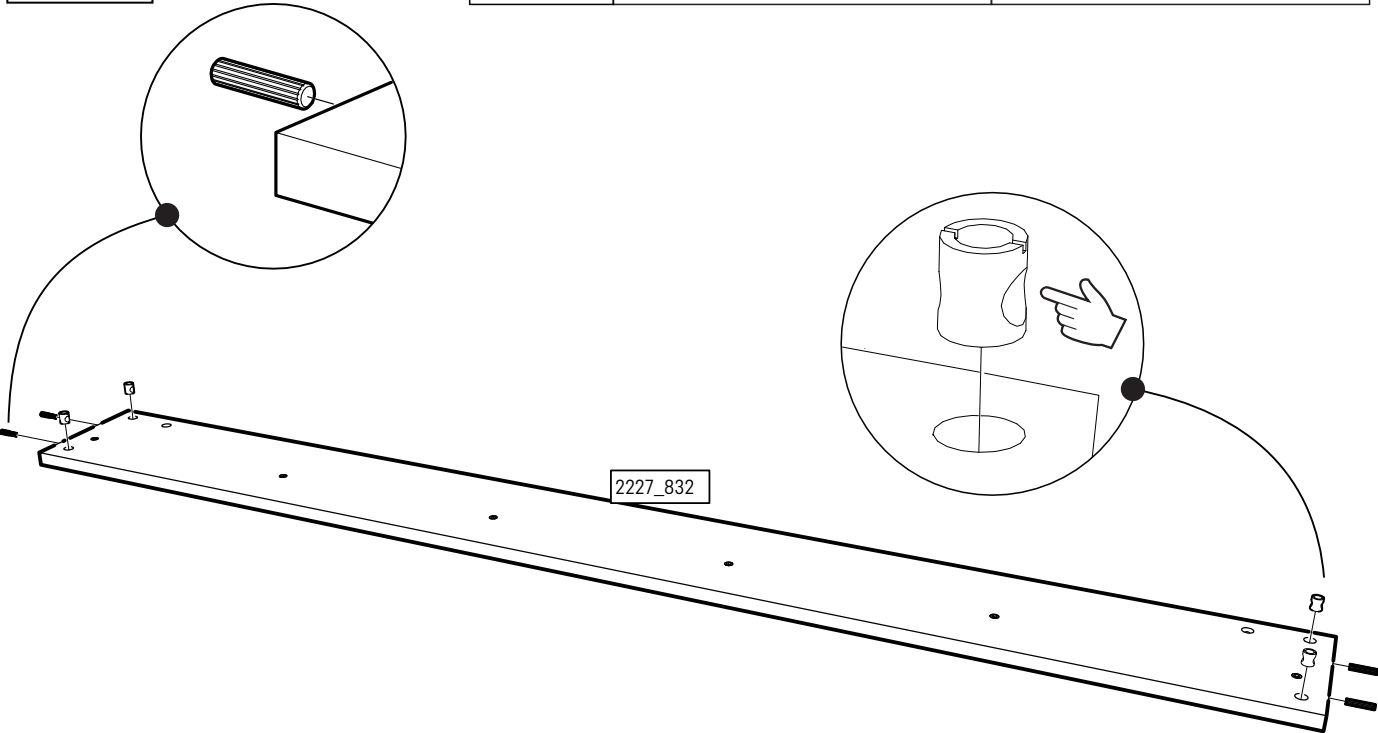
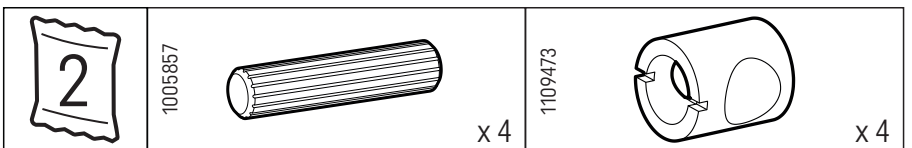
 <p>2</p>	<p>1005857</p>  <p>x 4</p>	<p>1109473</p>  <p>x 4</p>
--	--	---



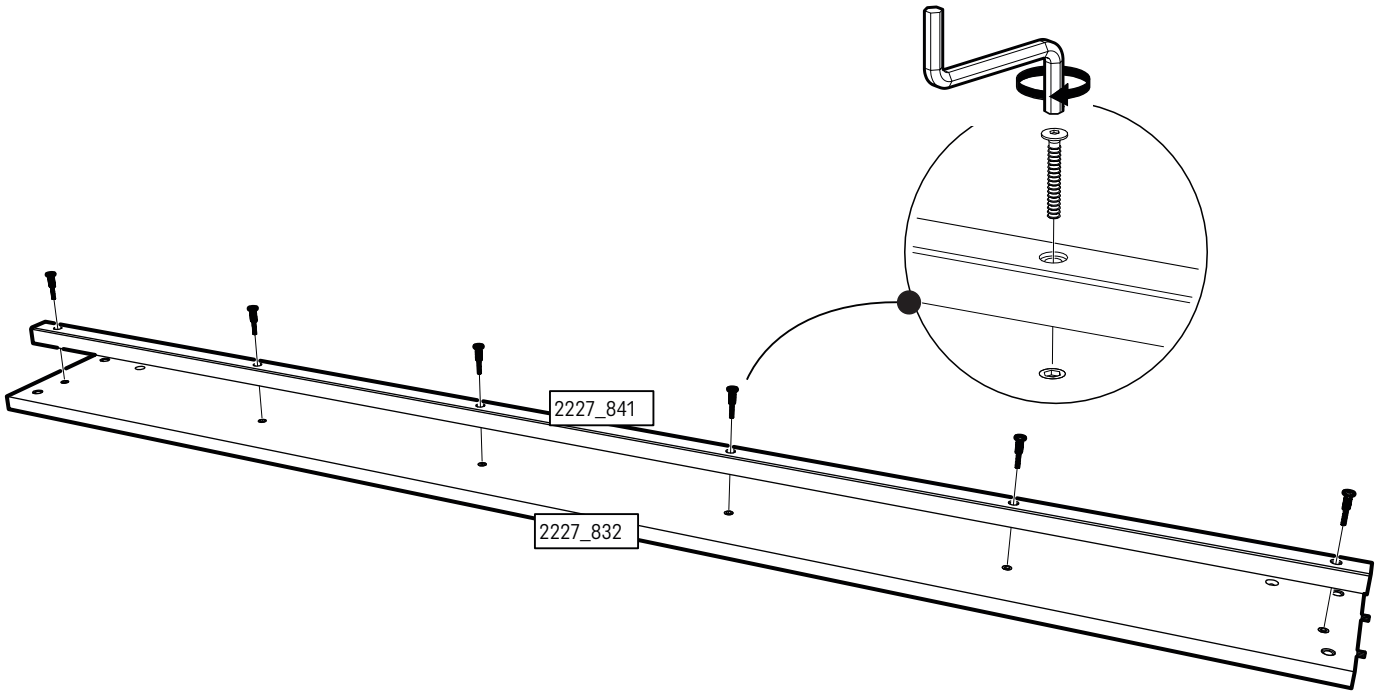
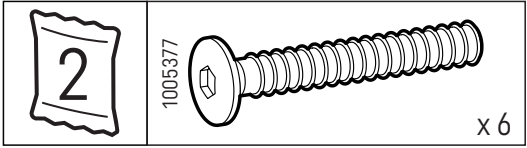
5



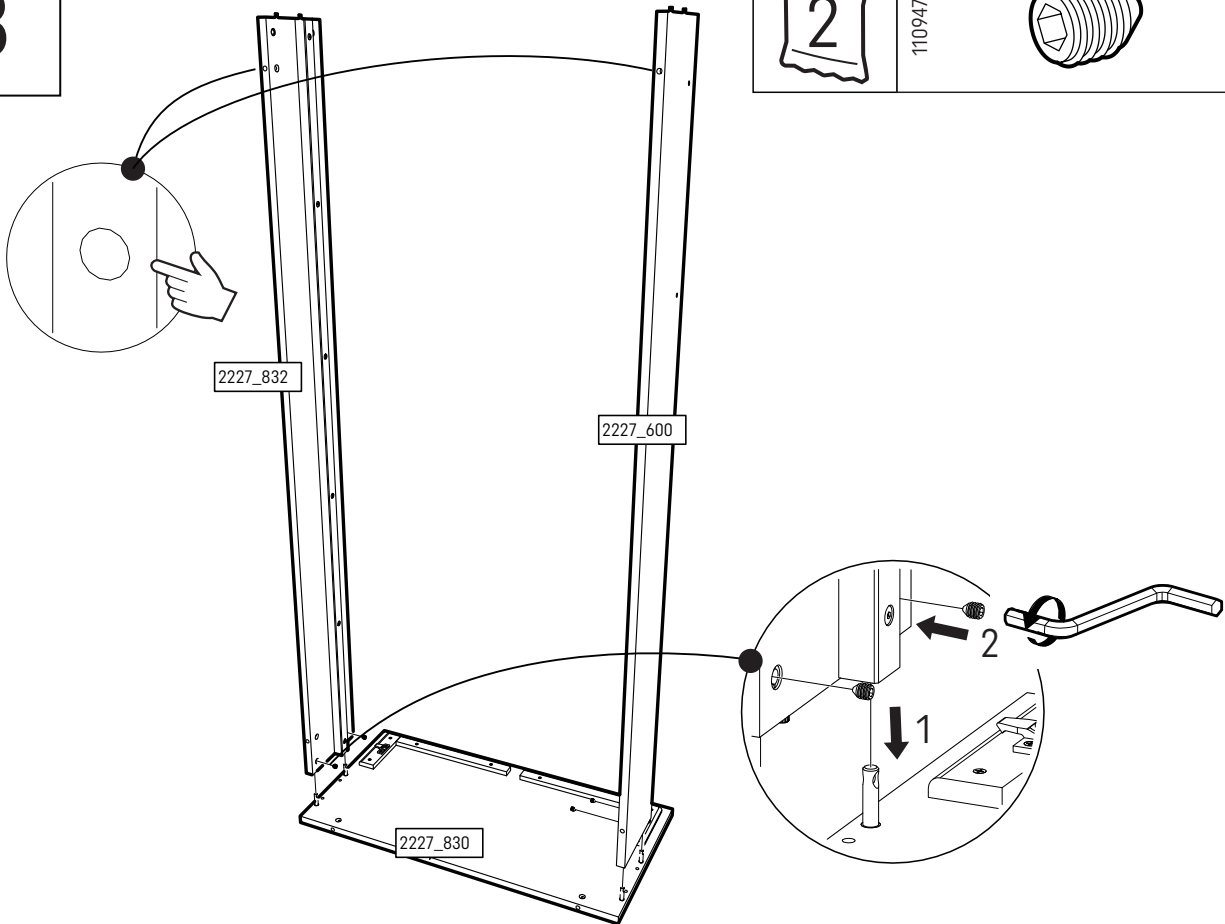
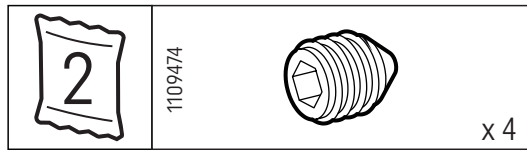
6



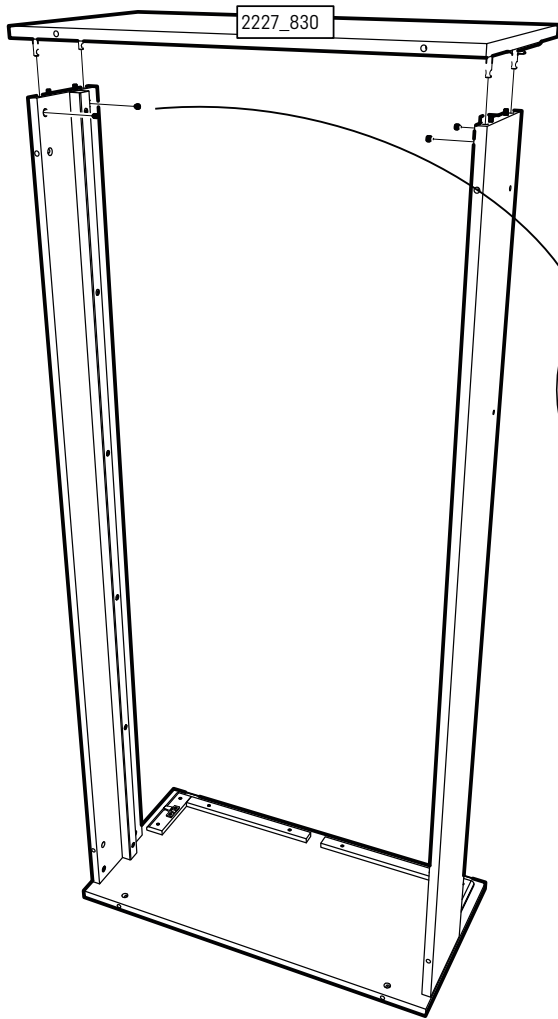
7


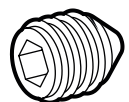


8

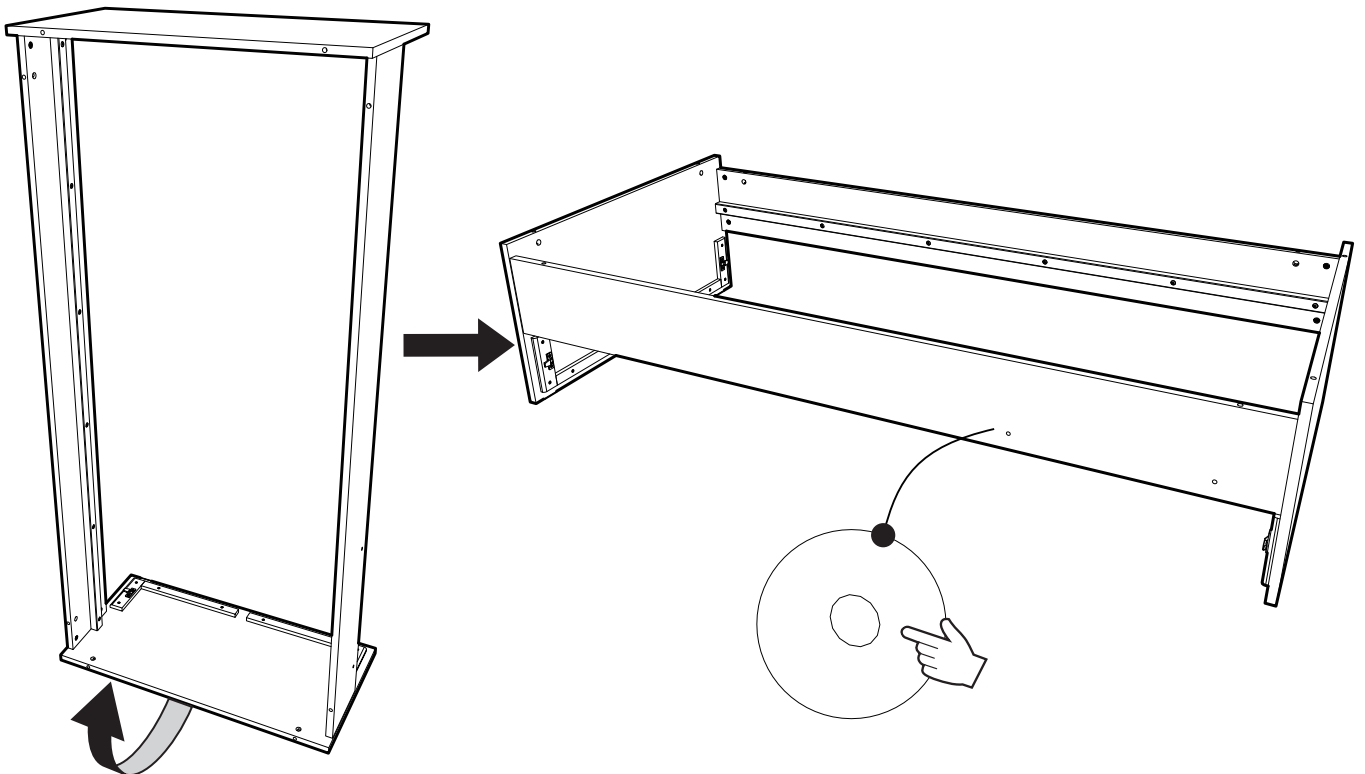


9

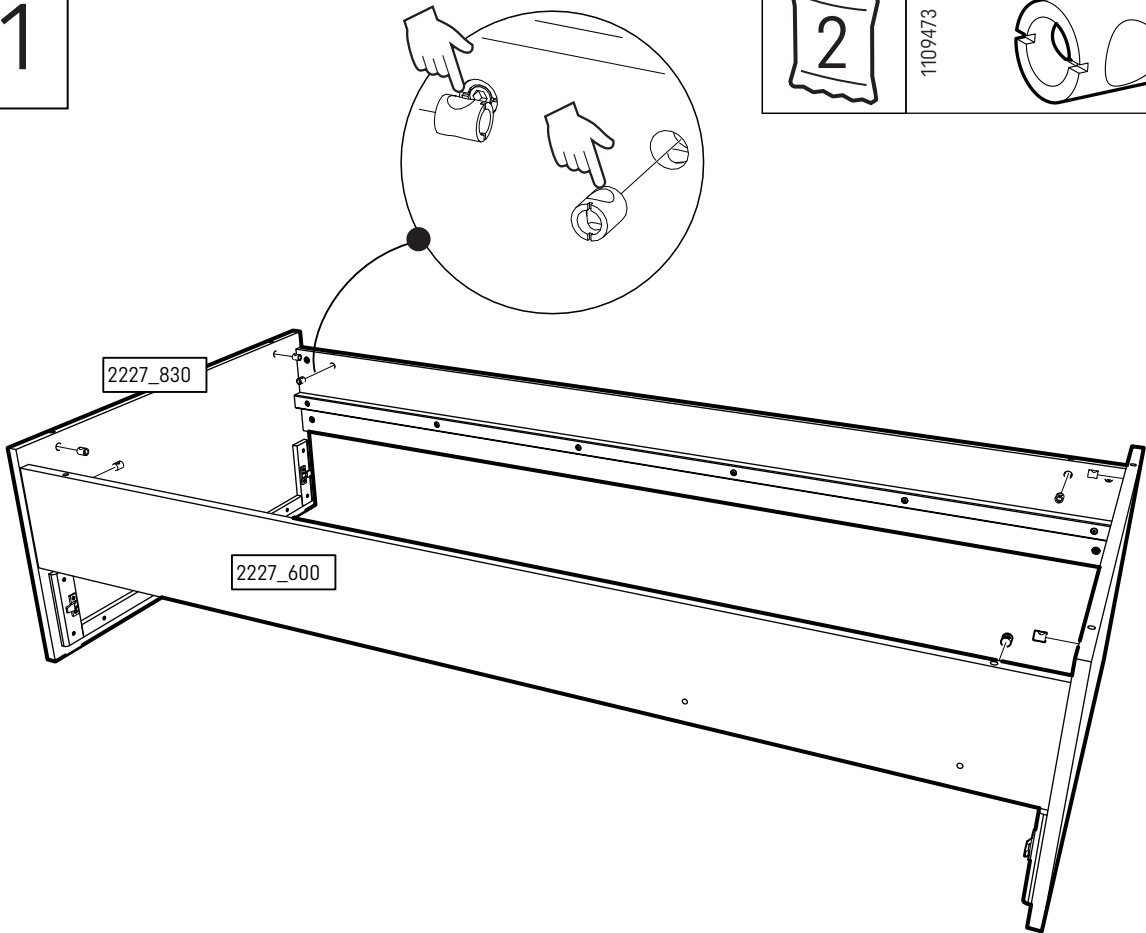


 <p>2</p>	<p>1109474</p>	 <p>x 4</p>
---	----------------	--

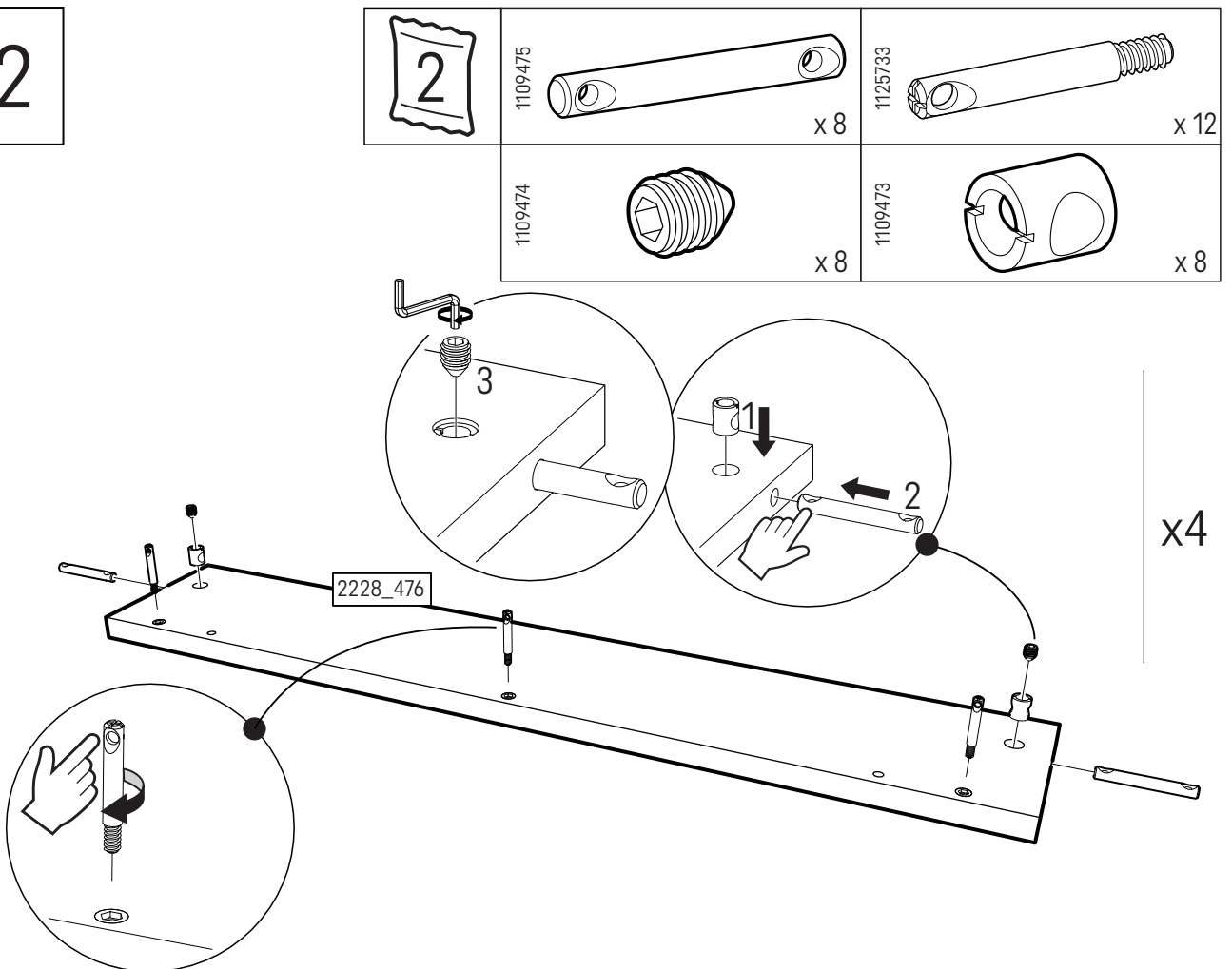
10



11

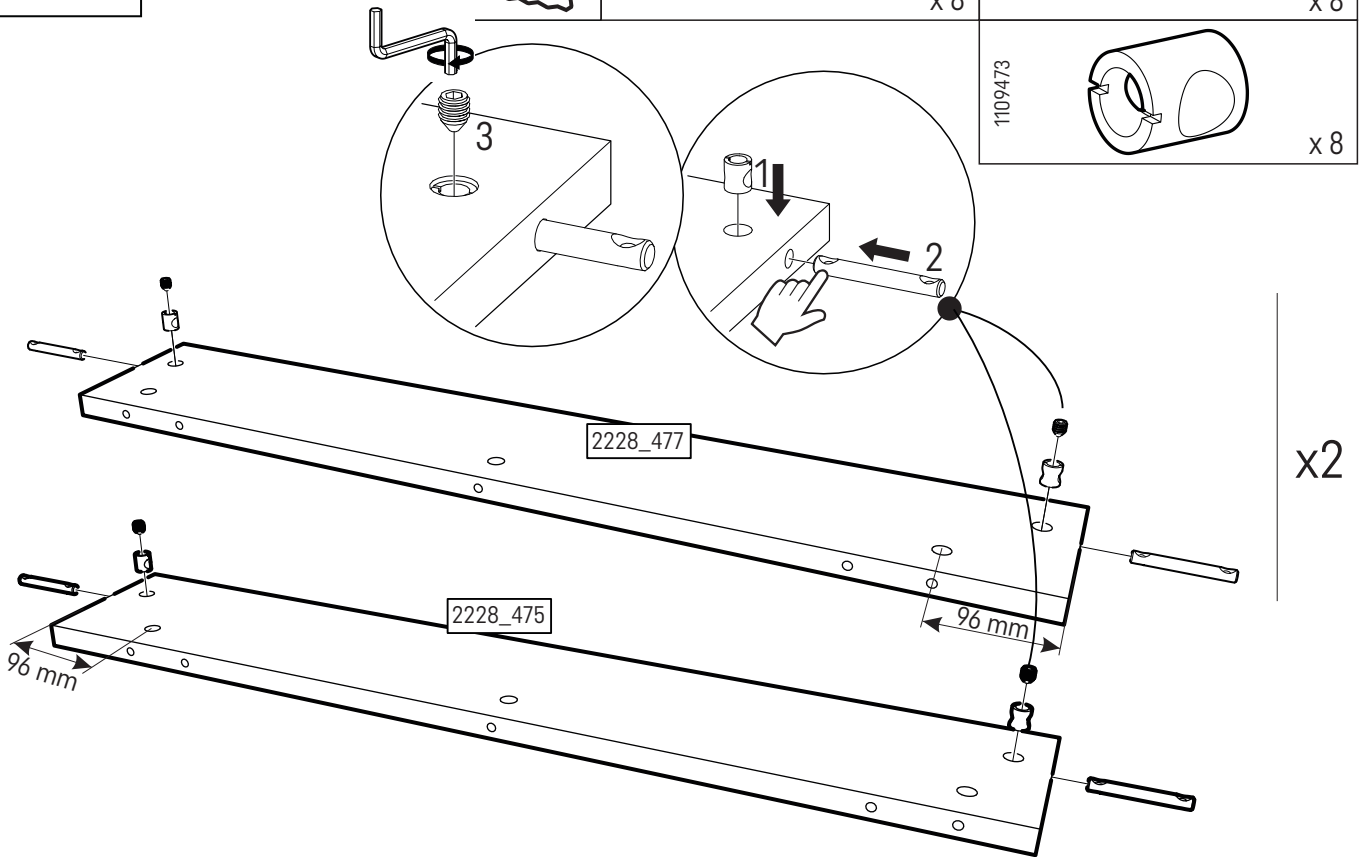


12



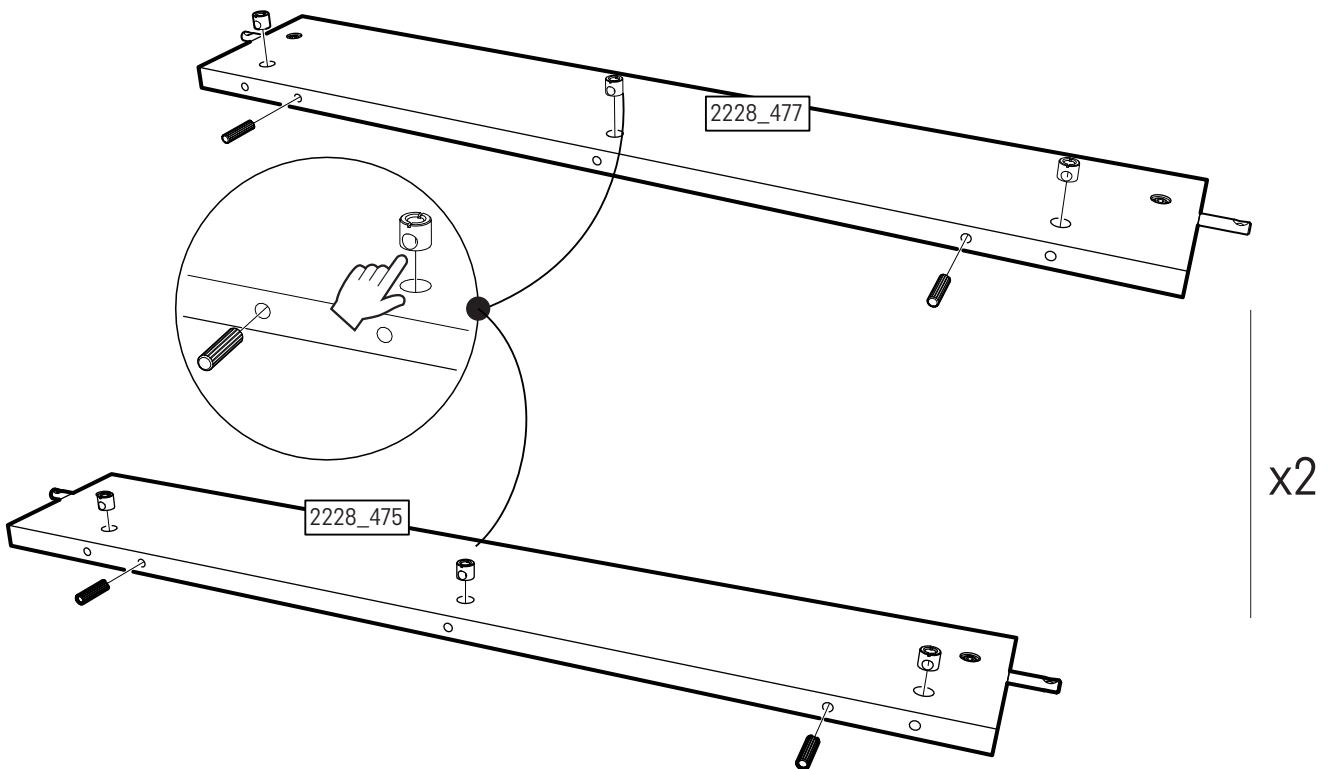
13

2	1109475 x 8	1109474 x 8
		1109473 x 8


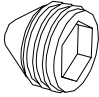


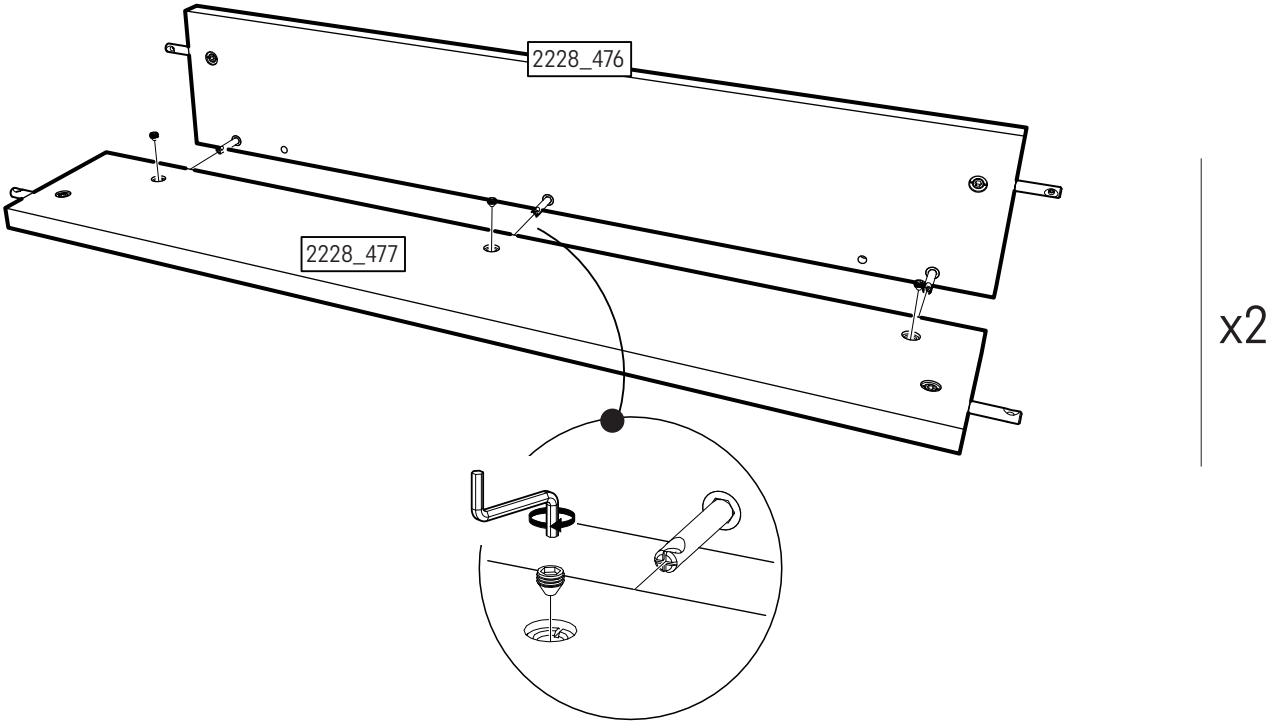
14

3	1005857 x 8	1125729 x 12
---	----------------	-----------------


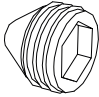


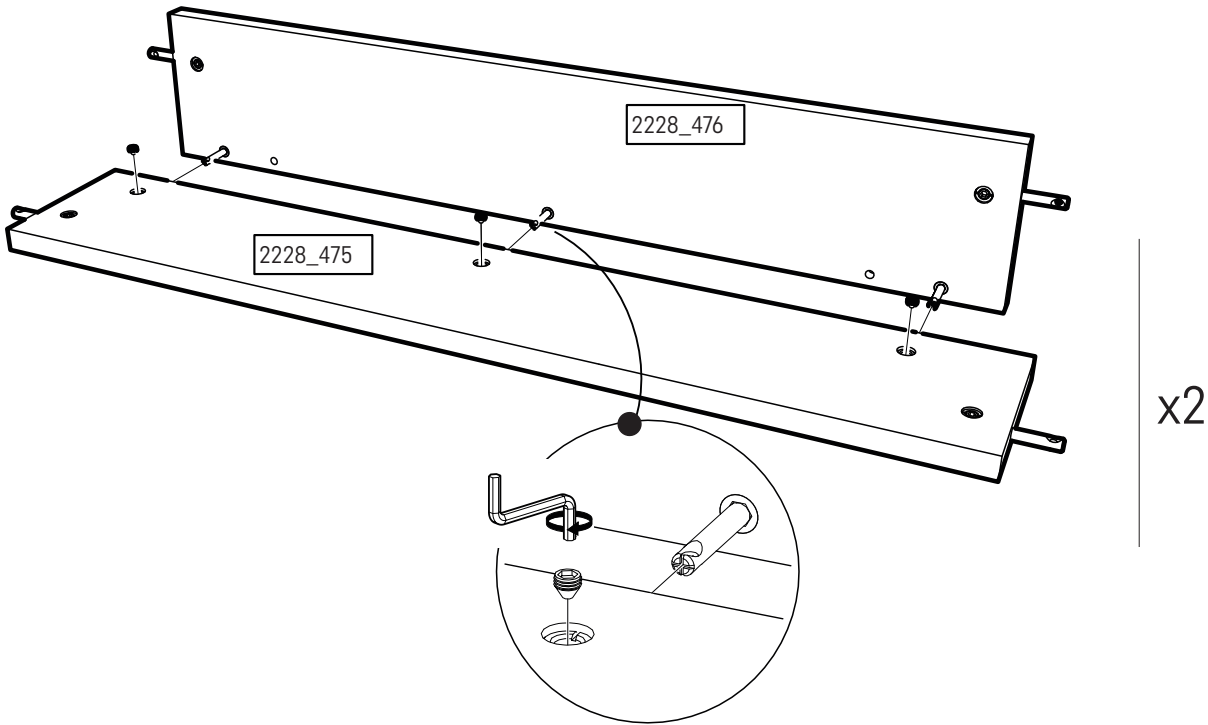
15

	1125731		x 6
--	---------	---	-----


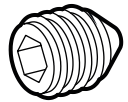


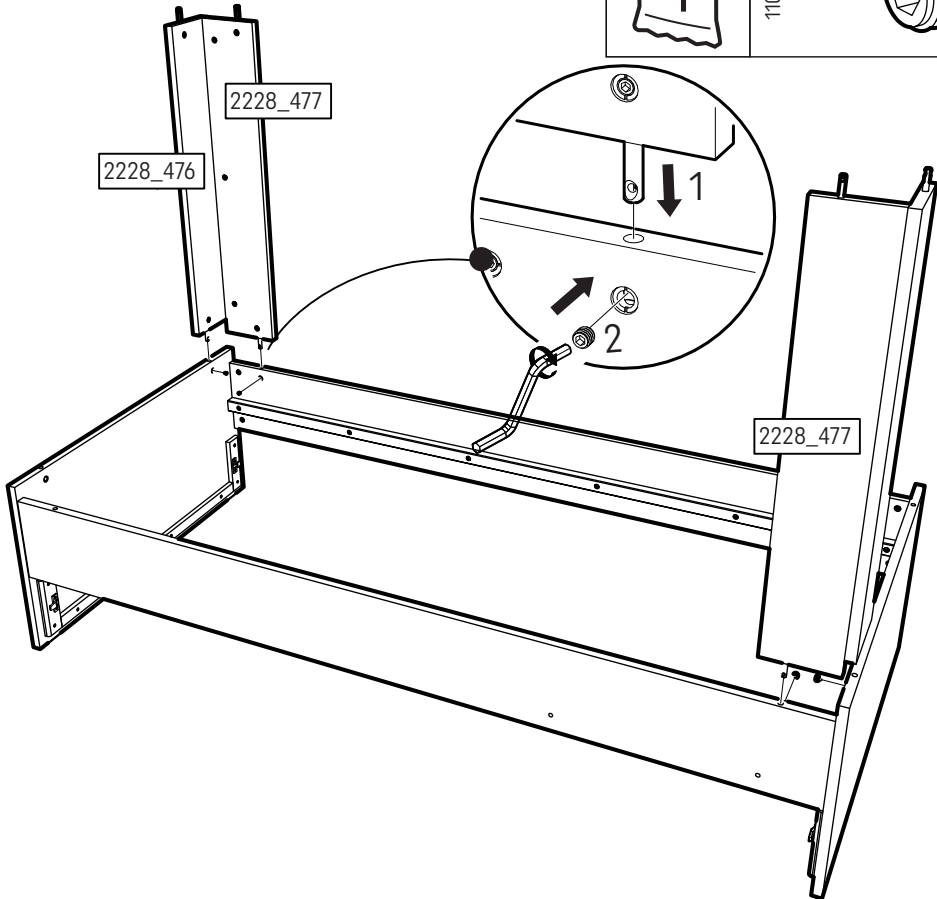
16

	1125731		x 6
--	---------	---	-----


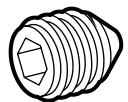


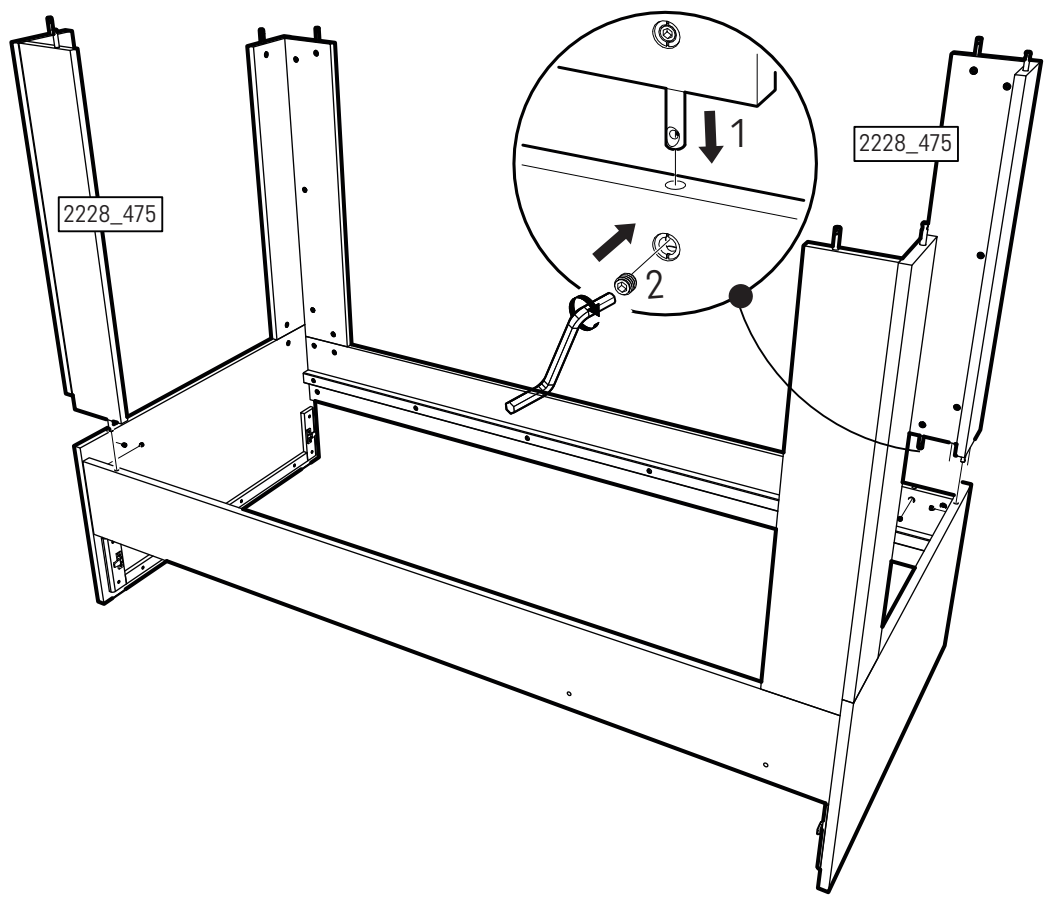
17

	1109474		x 4
--	---------	---	-----

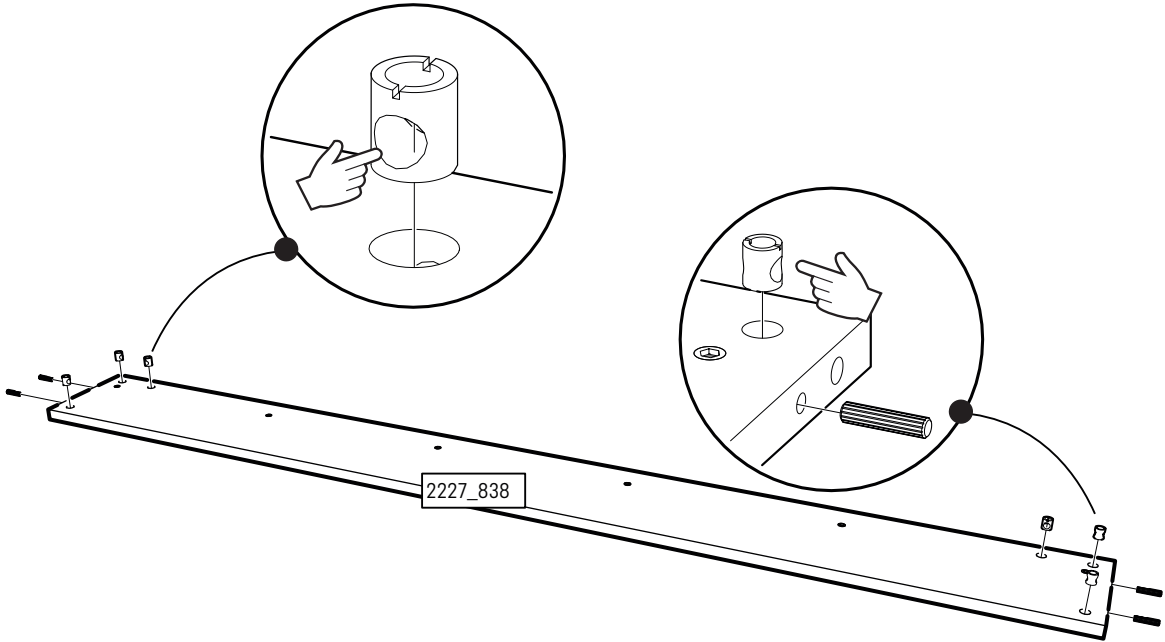
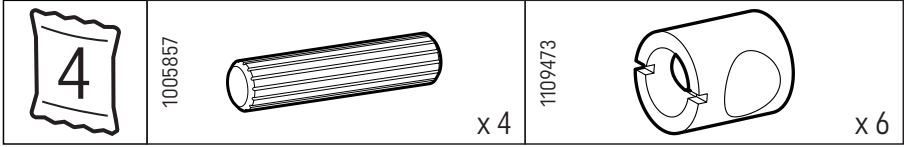


18

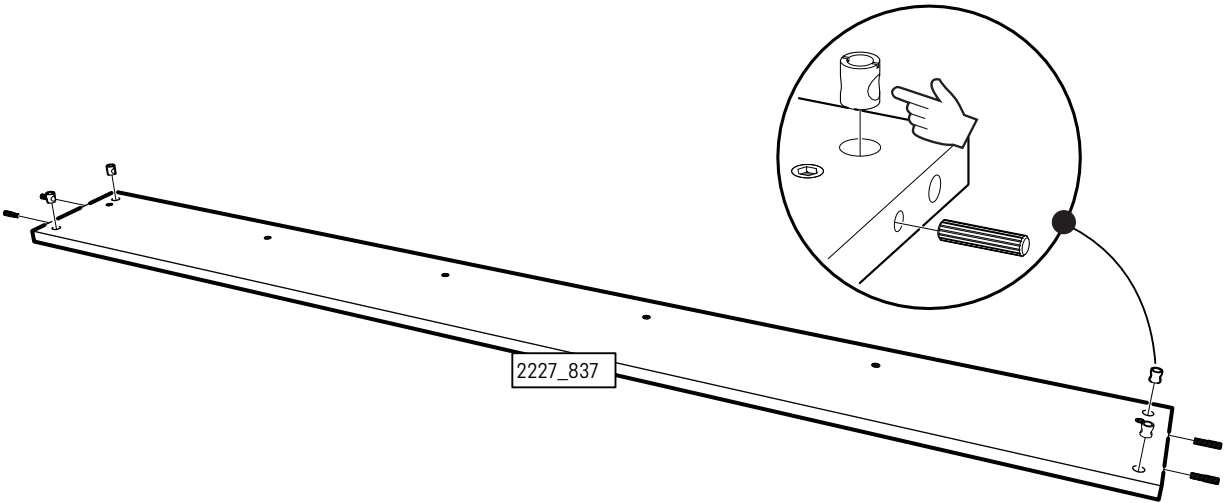
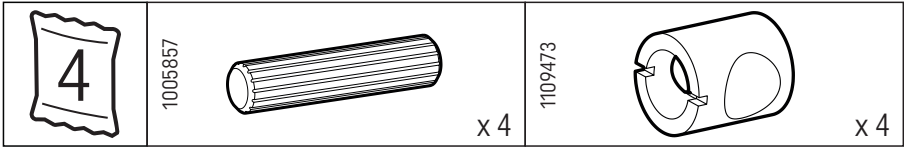
	1109474		x 4
--	---------	---	-----



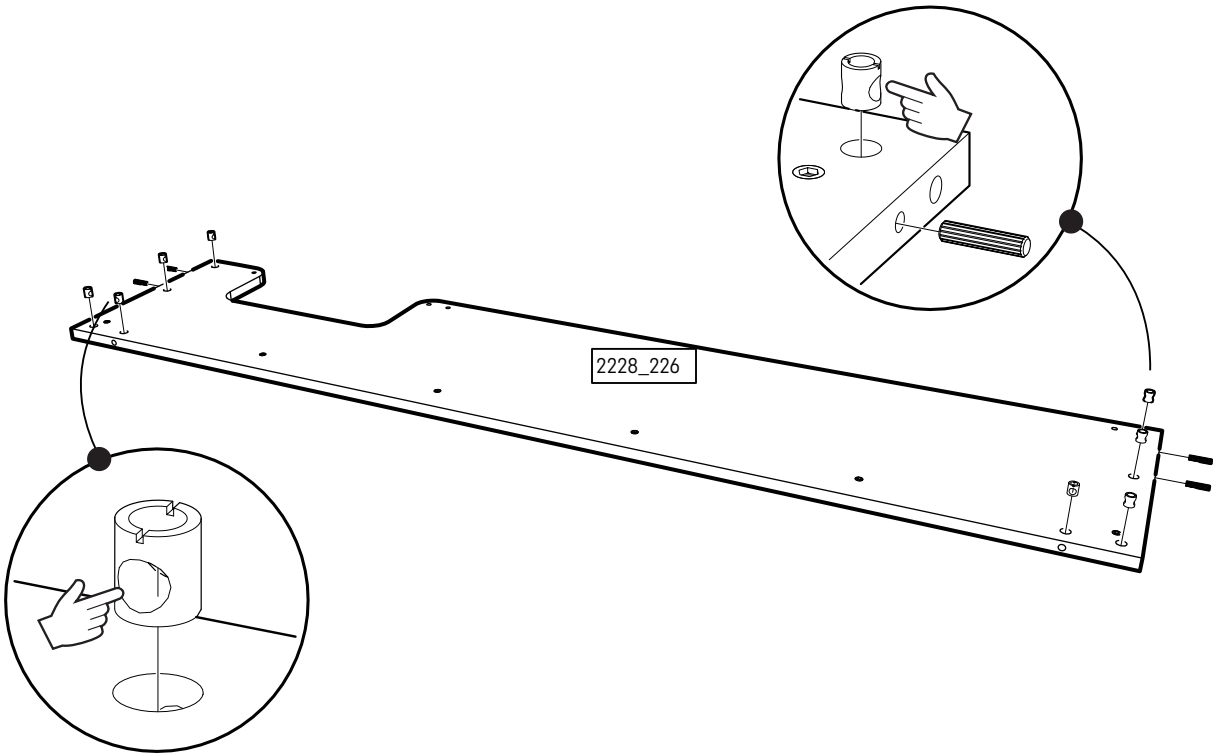
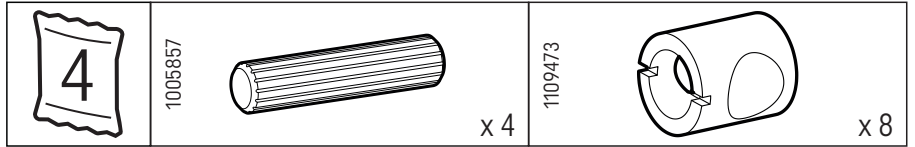
19



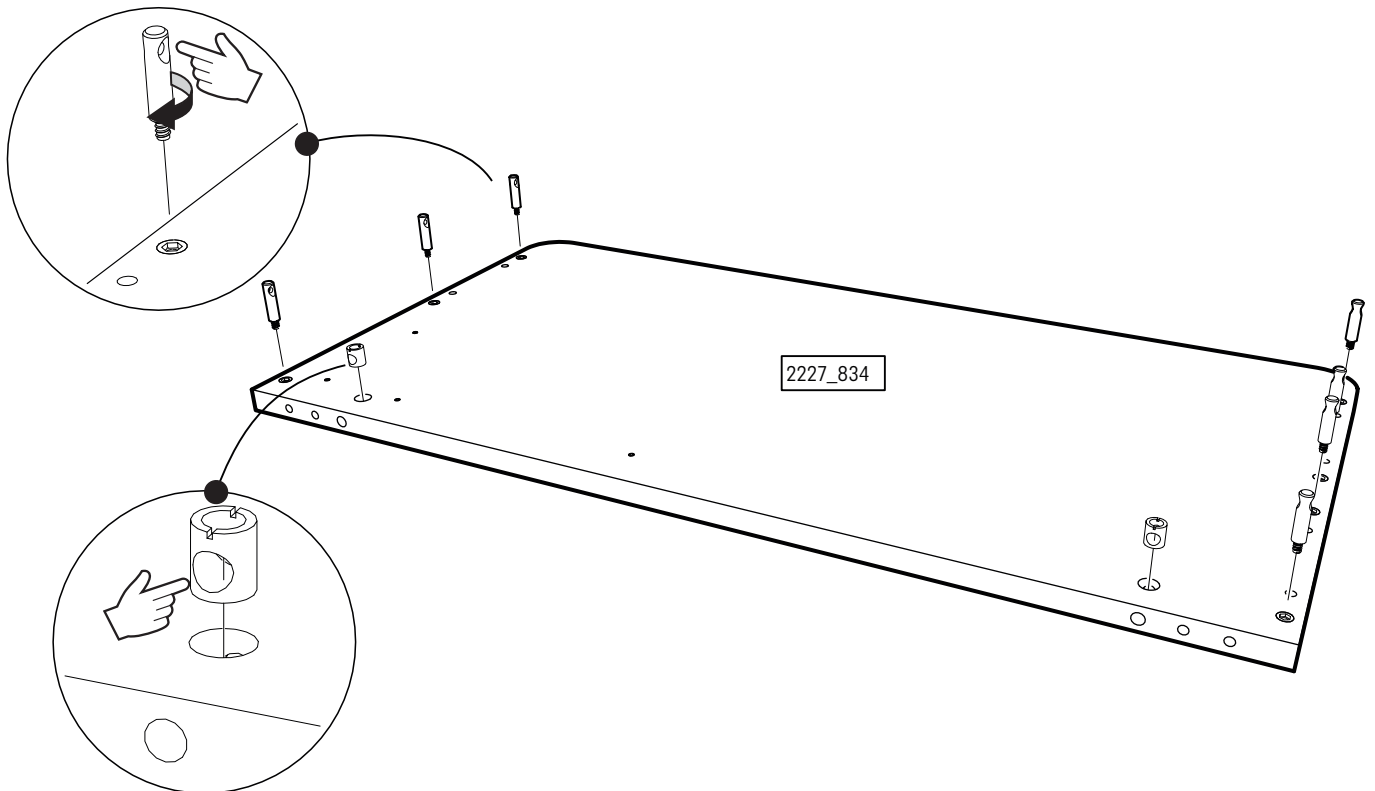
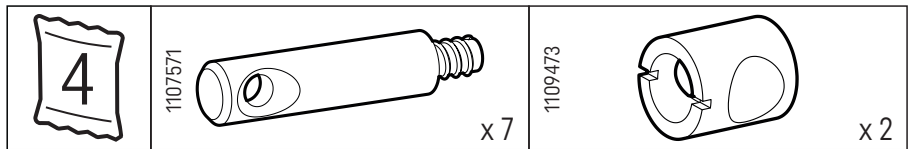
20



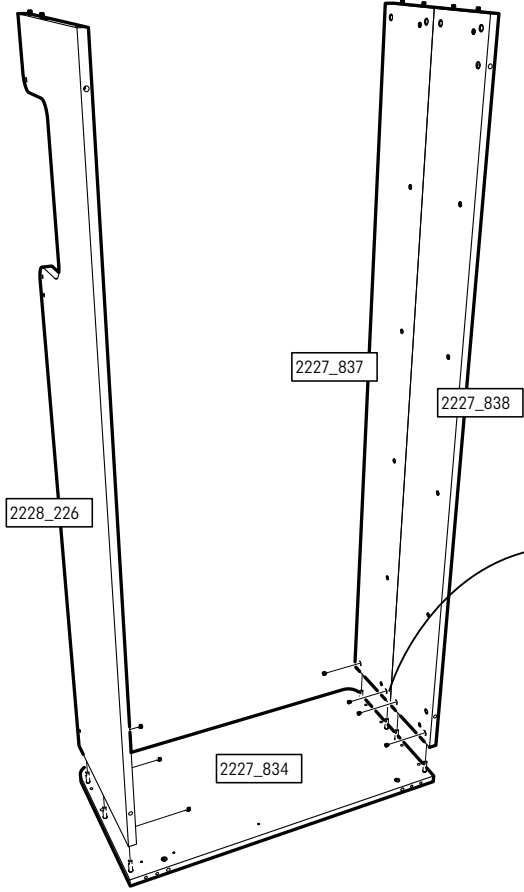
21



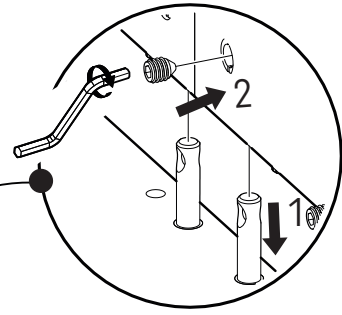
22



23

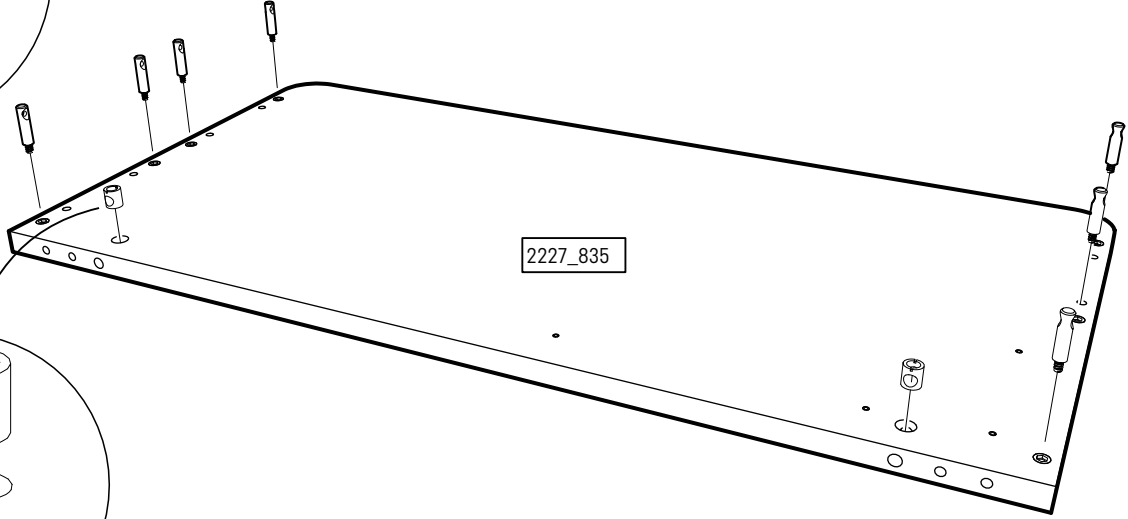
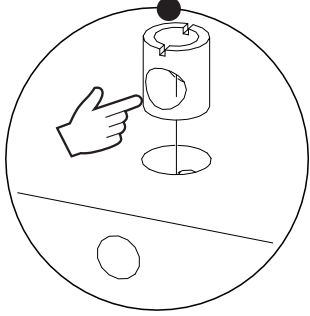
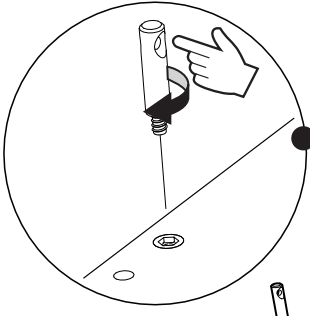


	1109474		x7
--	---------	--	----

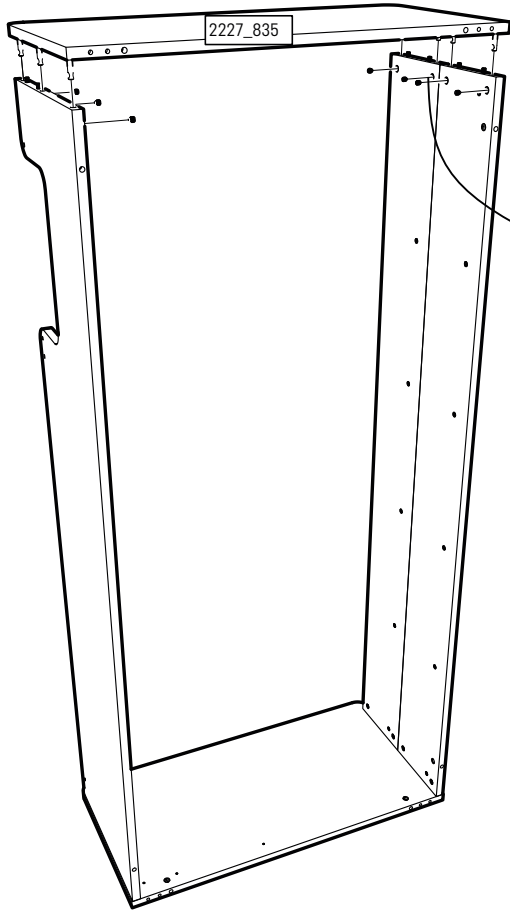


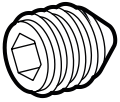
24

	1107571		x7
1109473		x2	

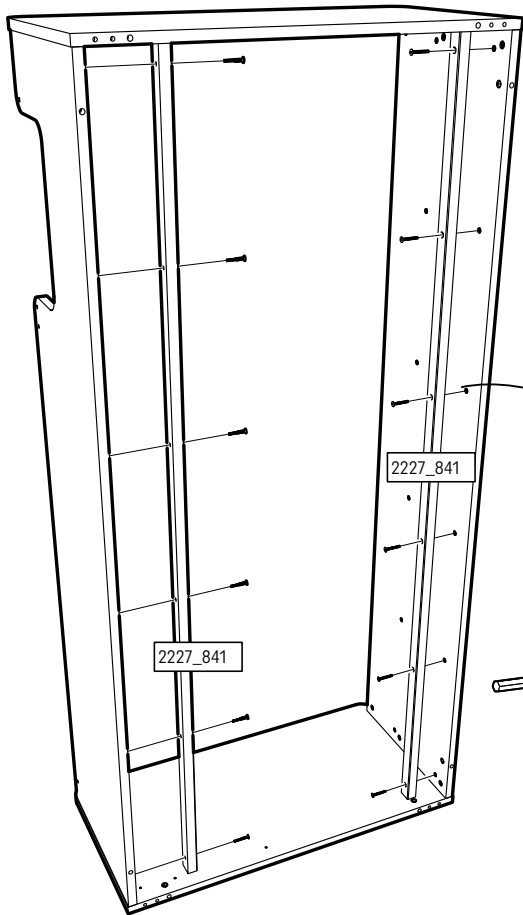


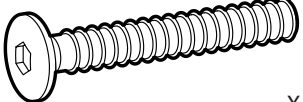
25



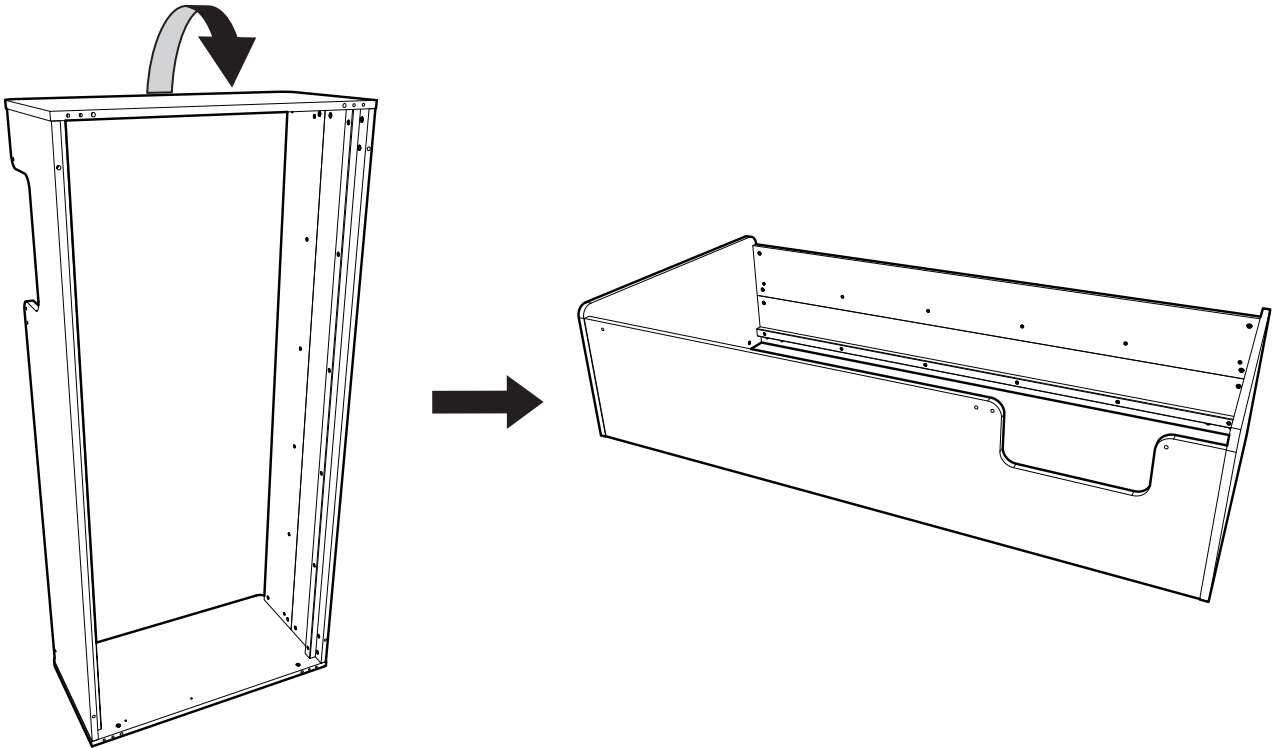
4	1109474	 x 7
---	---------	--

26

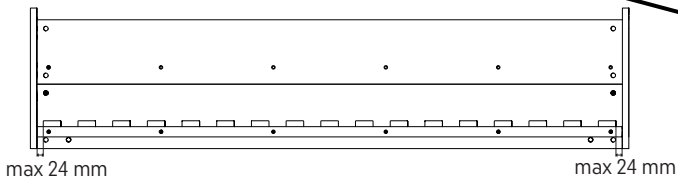
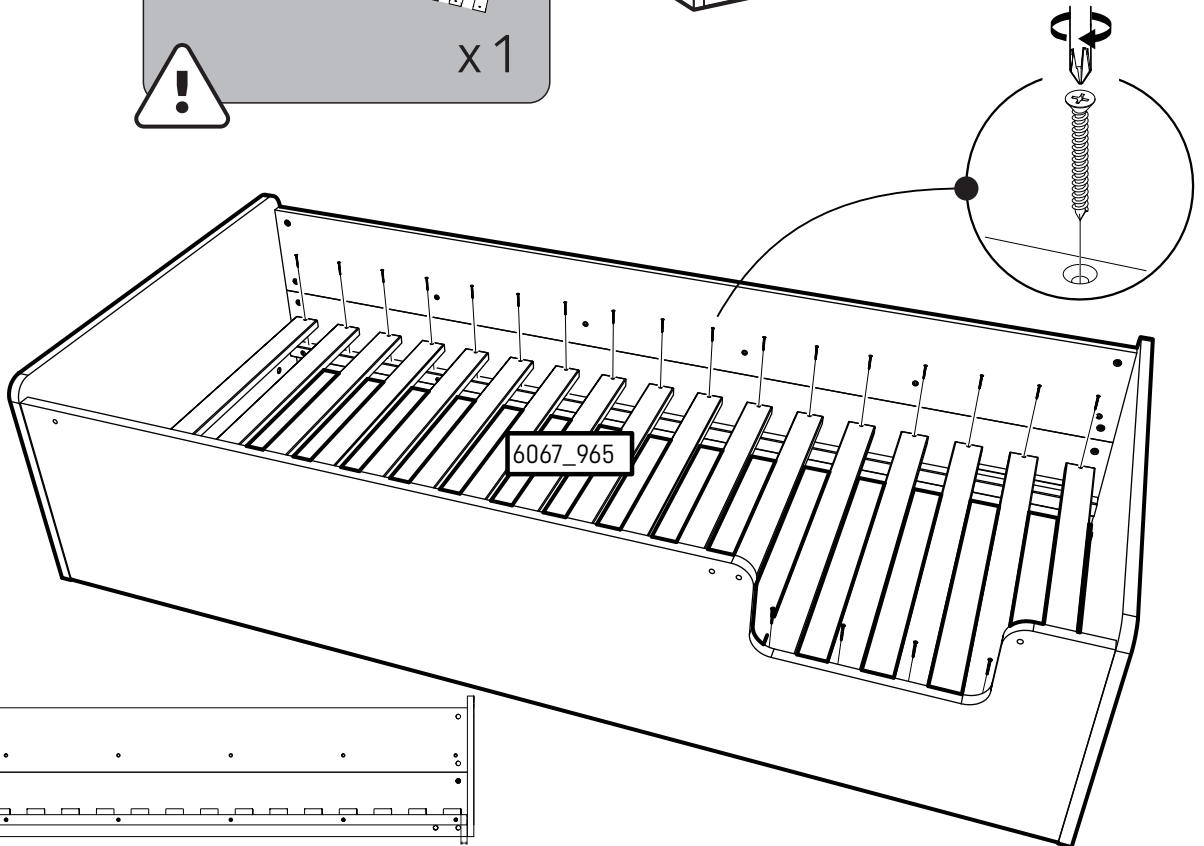
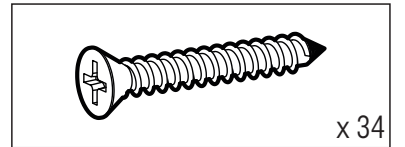
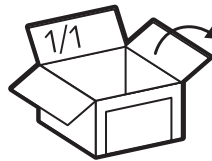
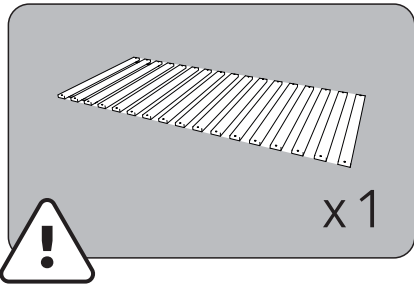


5	1005377	 x 12
---	---------	---

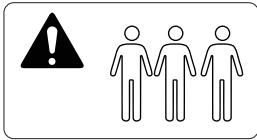
27



28

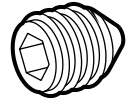


29

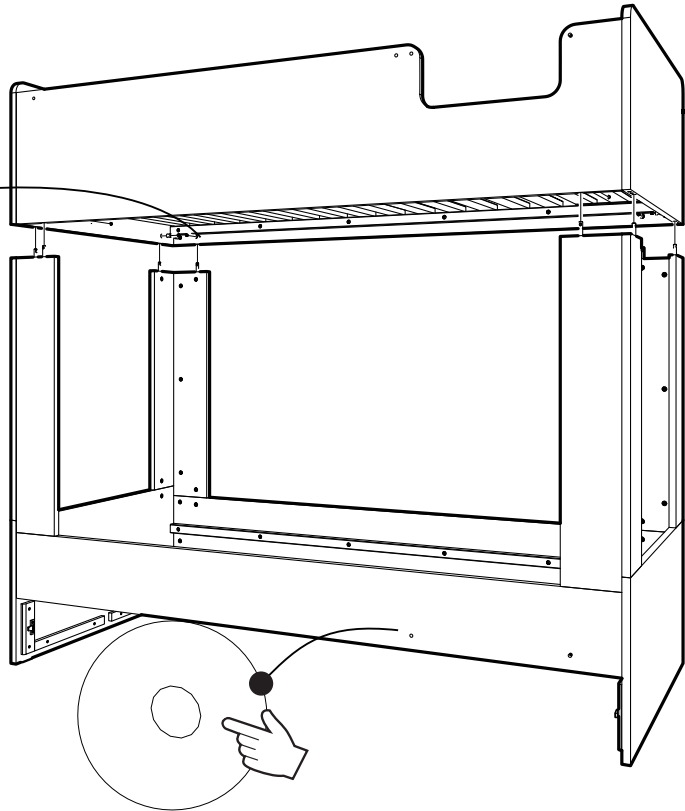
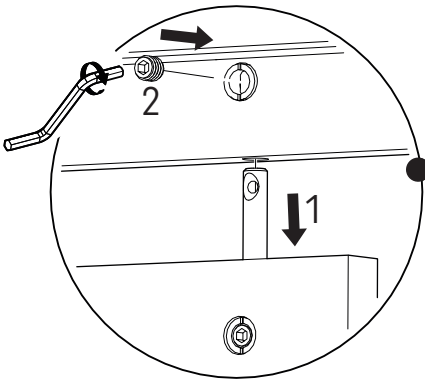


5

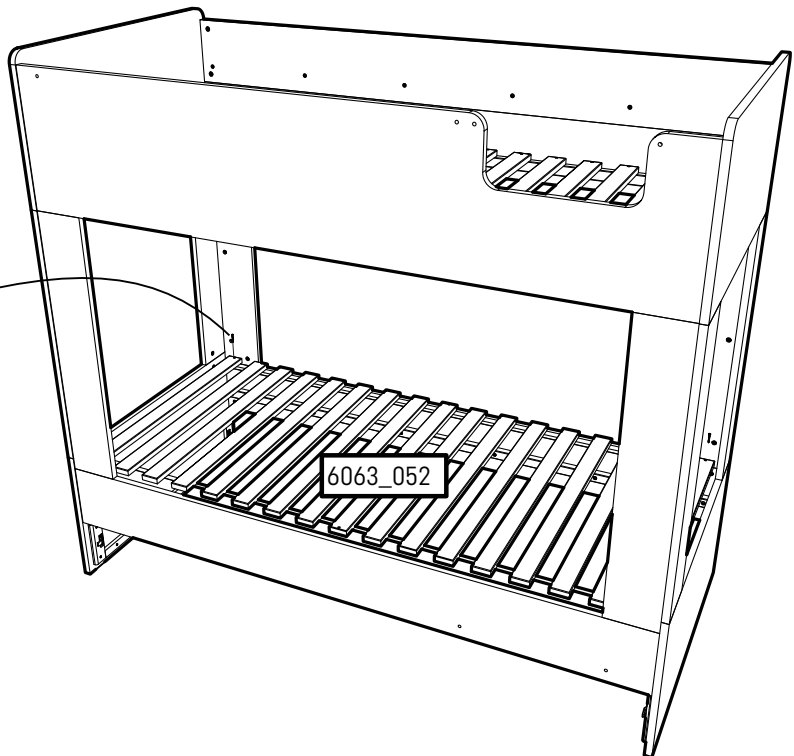
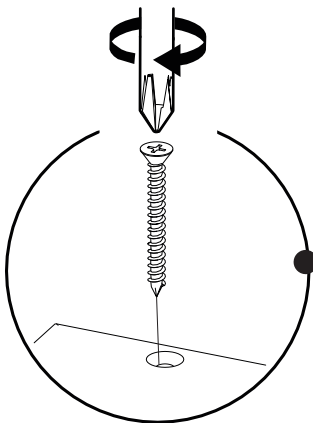
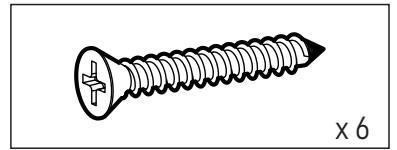
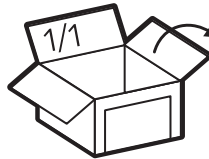
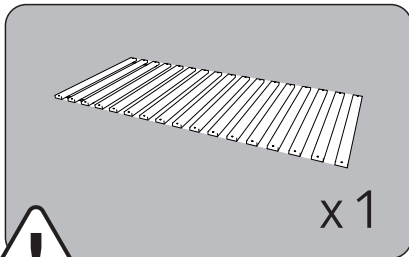
1109474





x 8

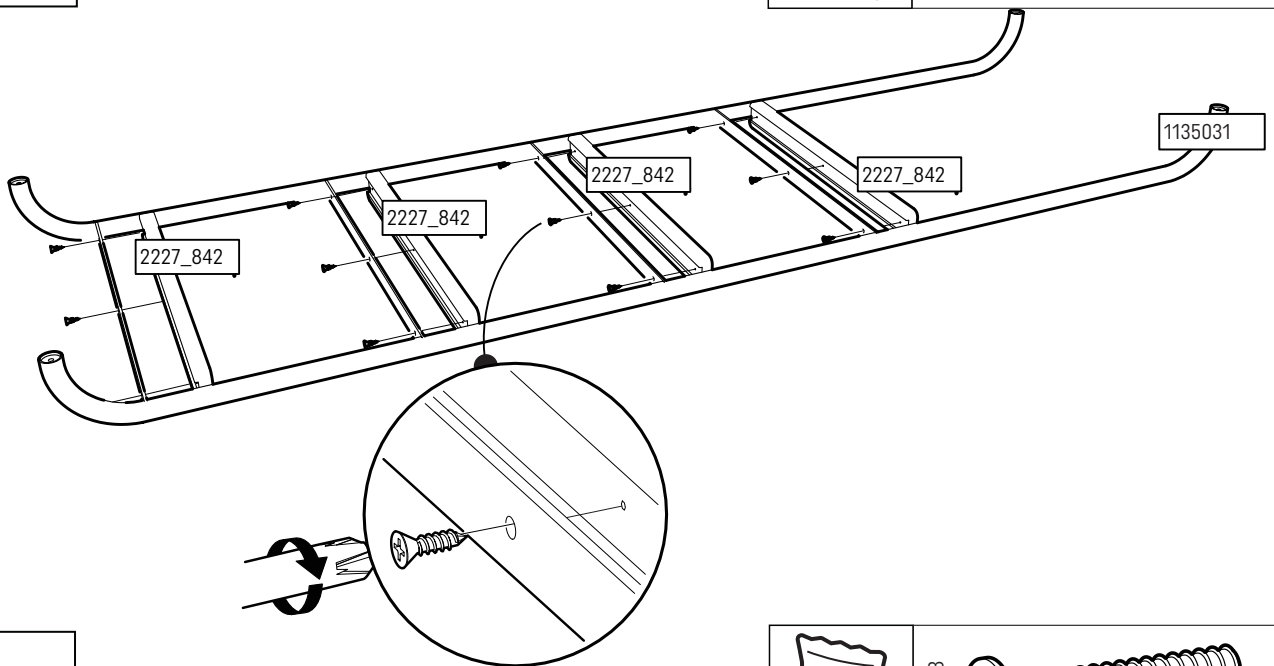


30


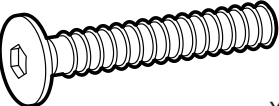


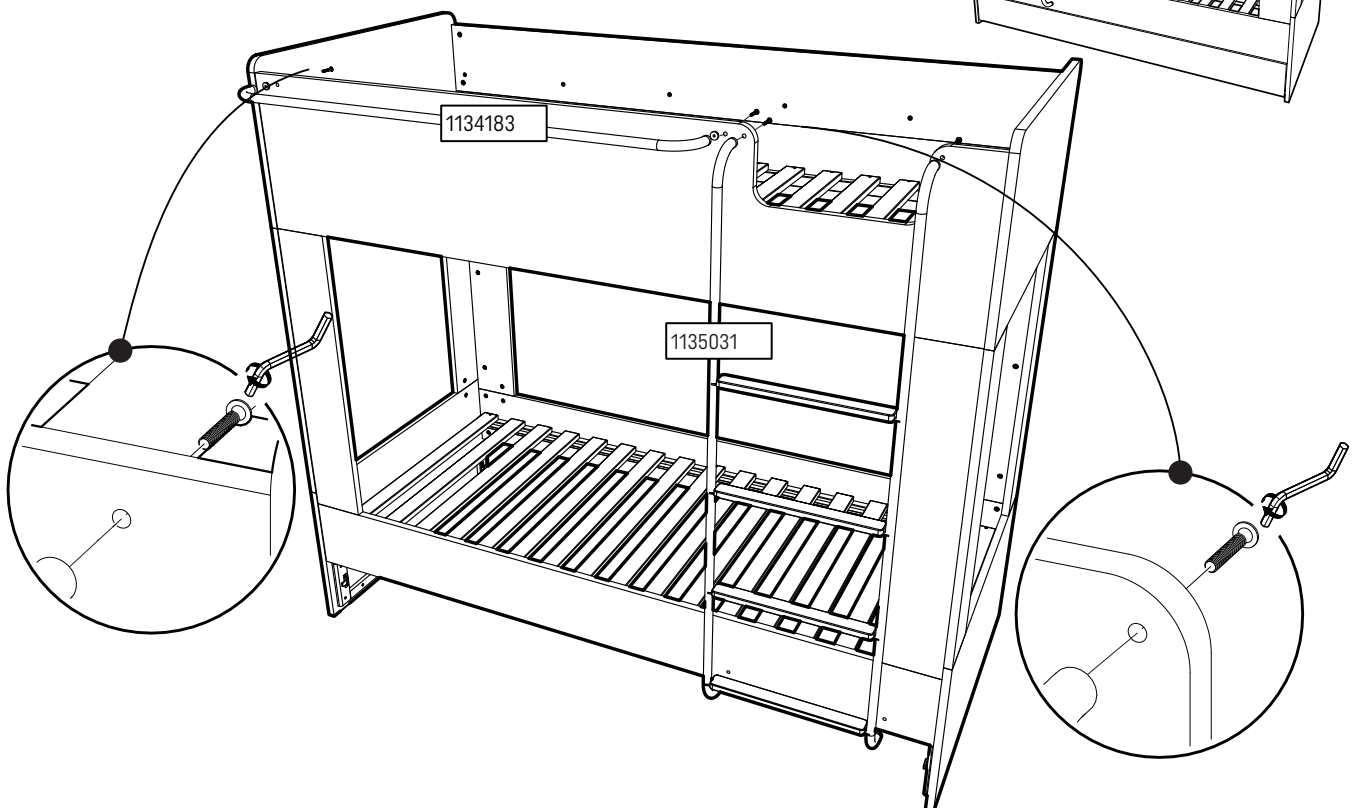
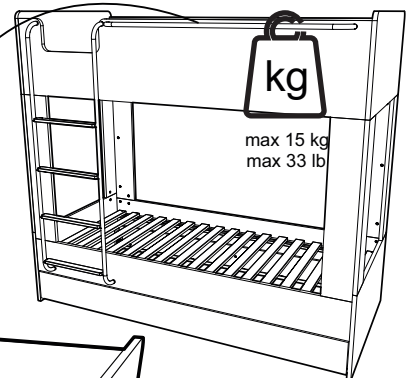
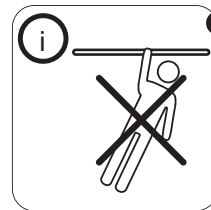
31

	1005681		x 12
--	---------	---	------

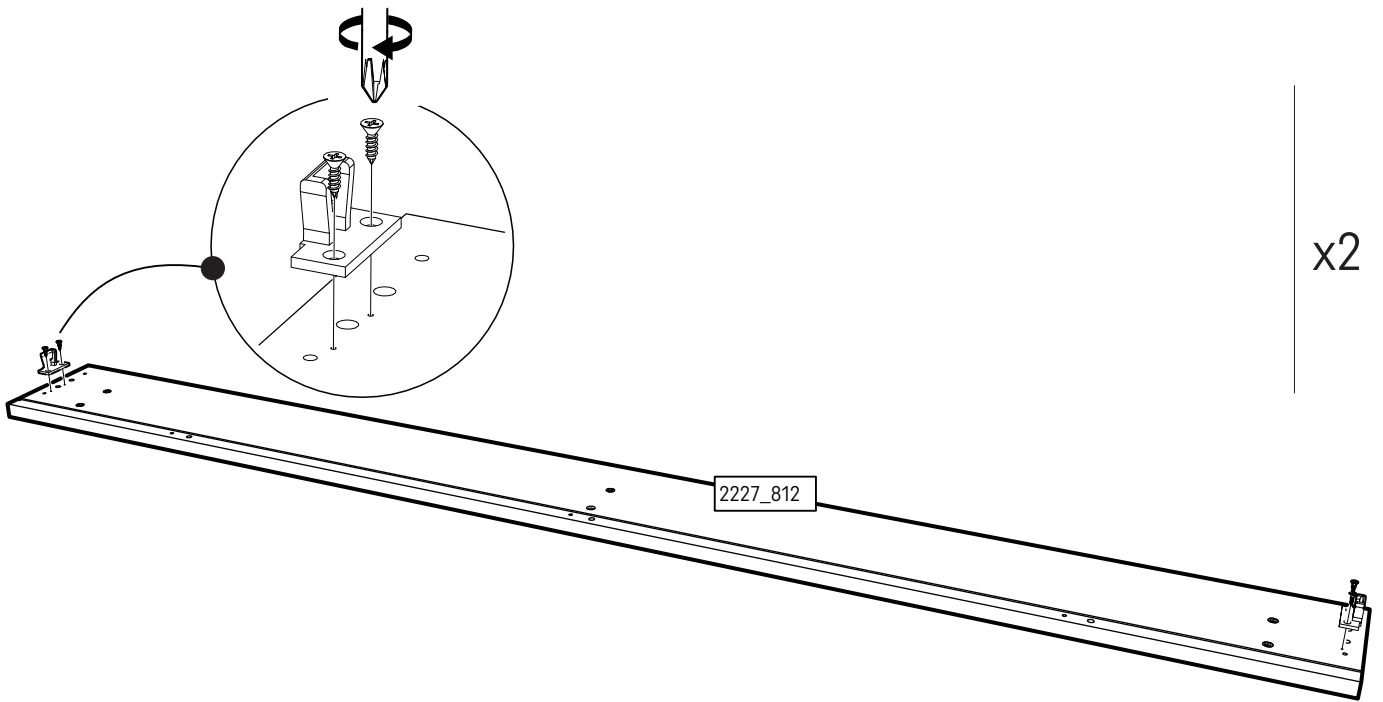
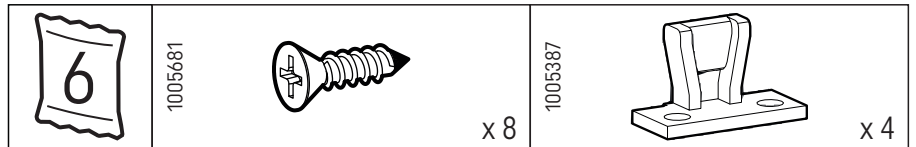


32

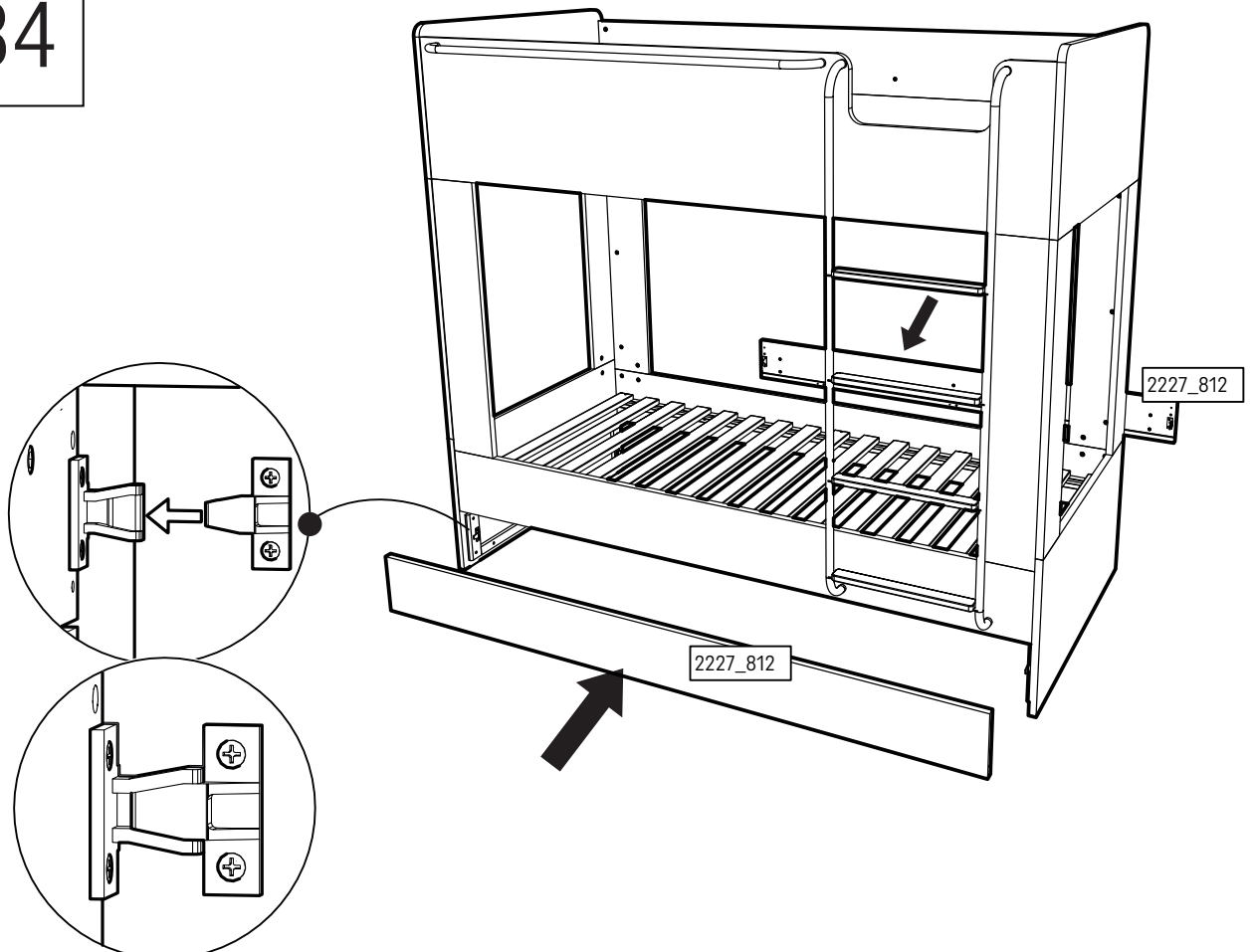
	1006073		x 6
---	---------	---	-----

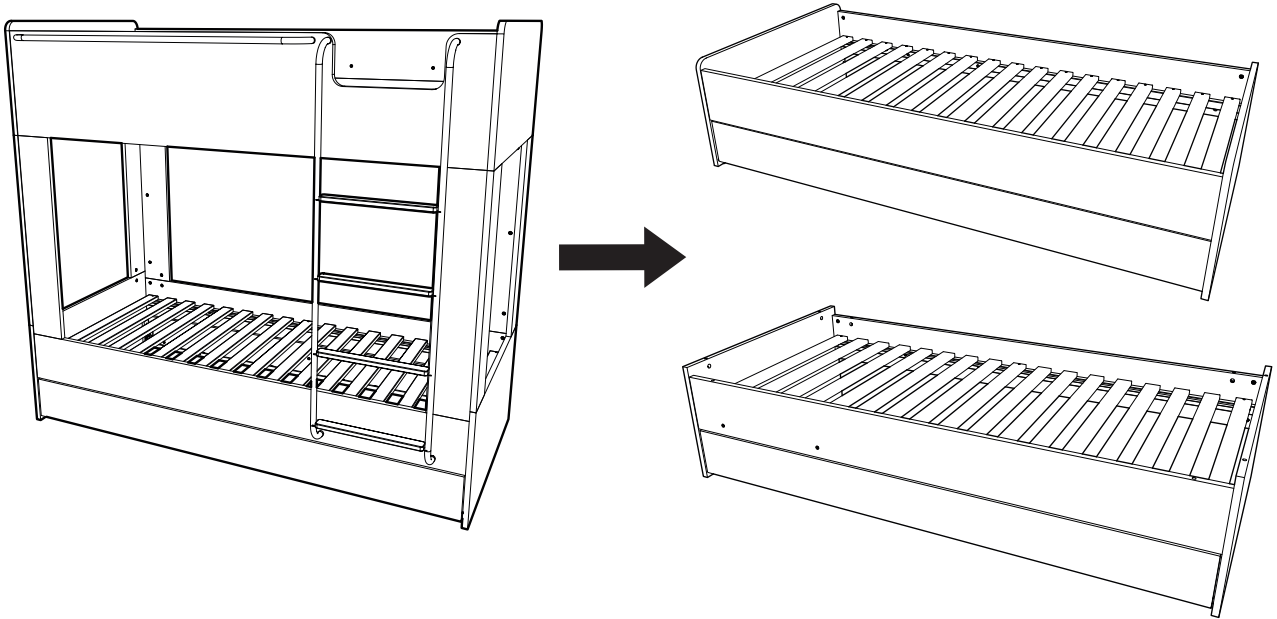


33

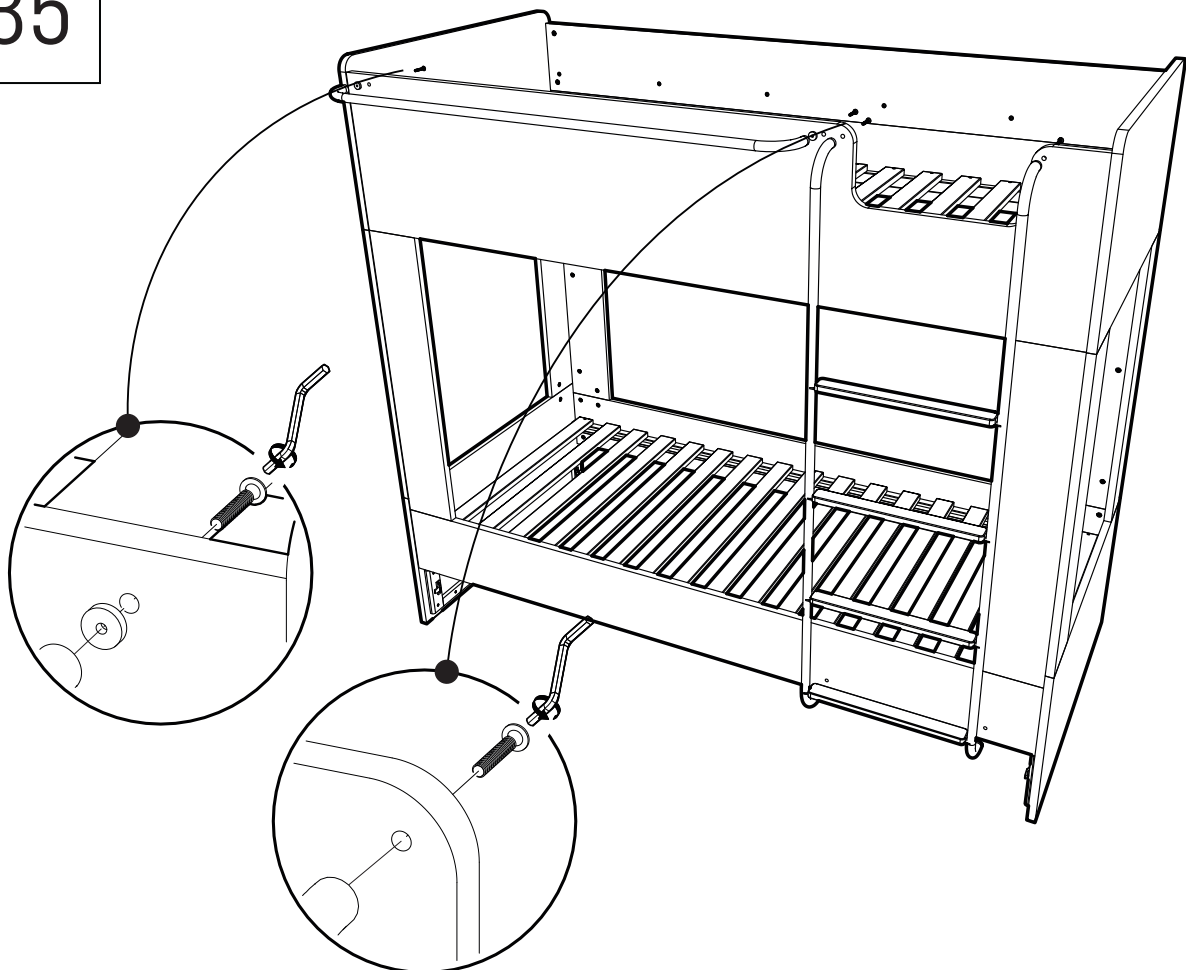


34

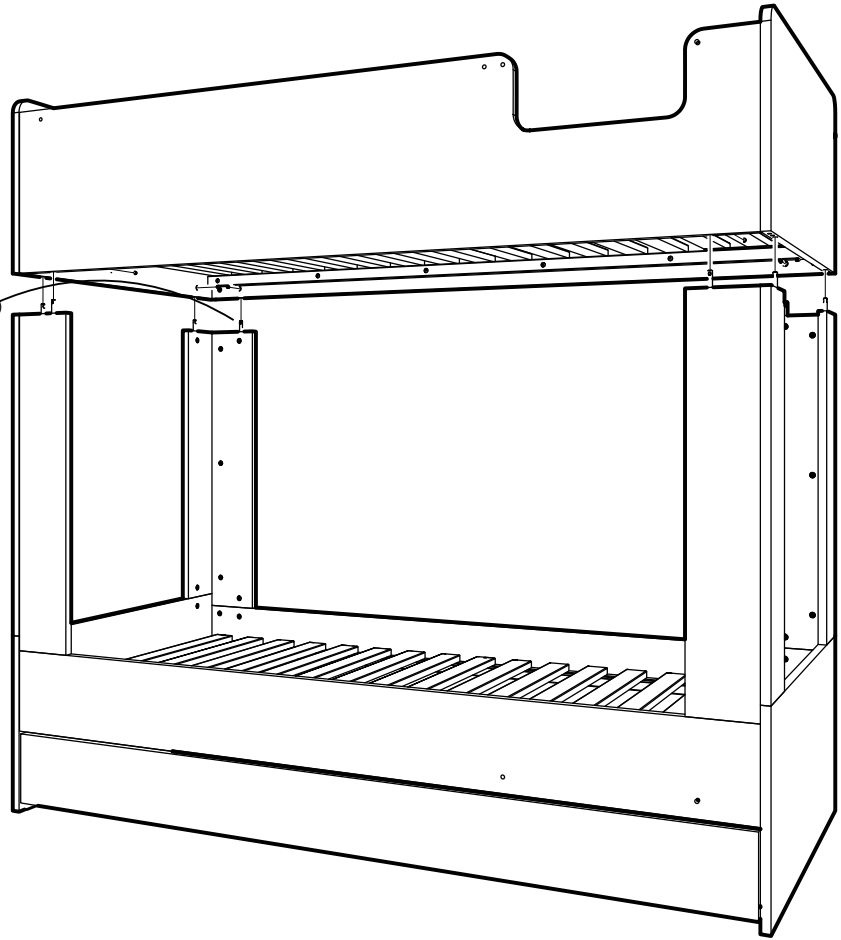
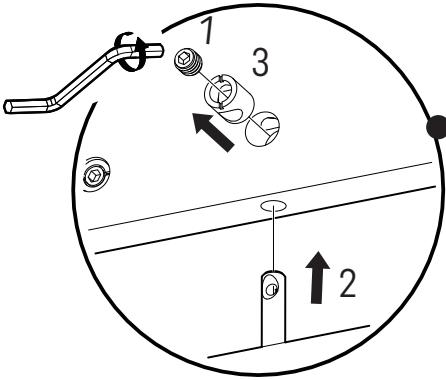




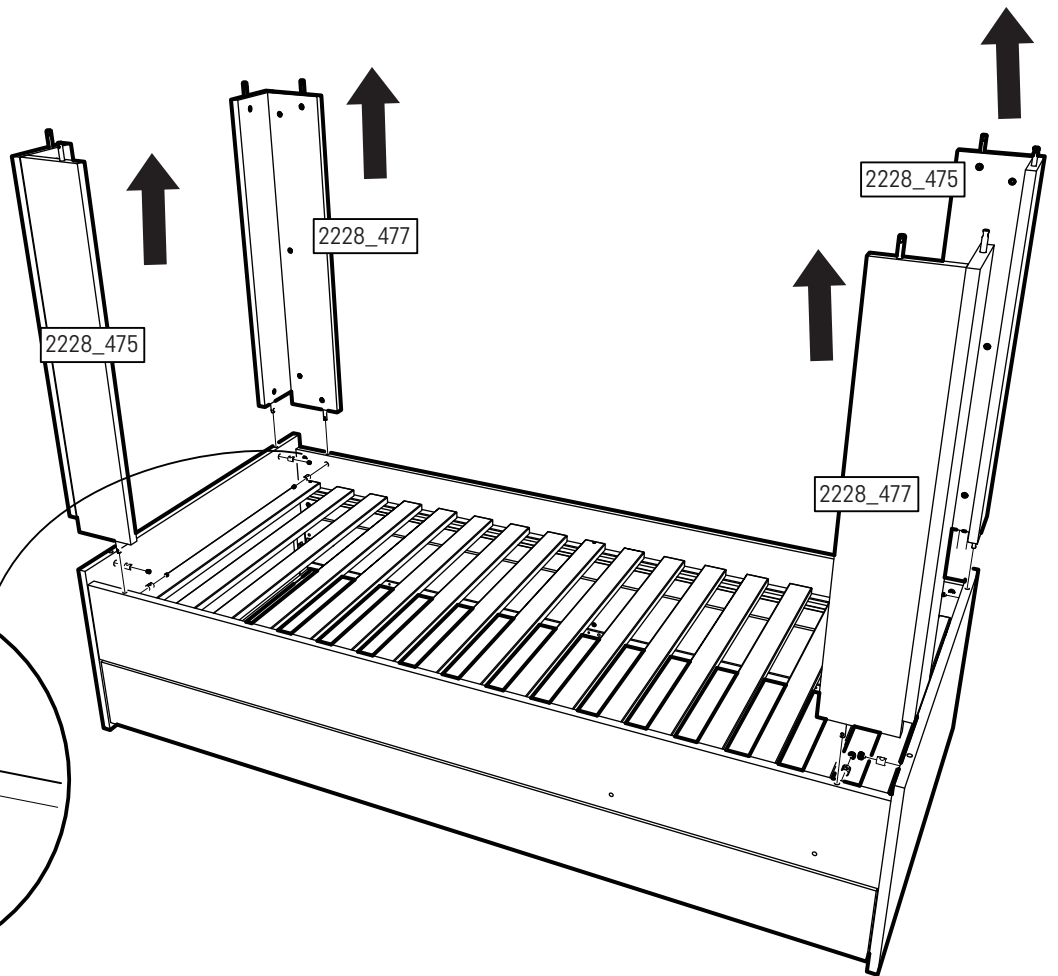
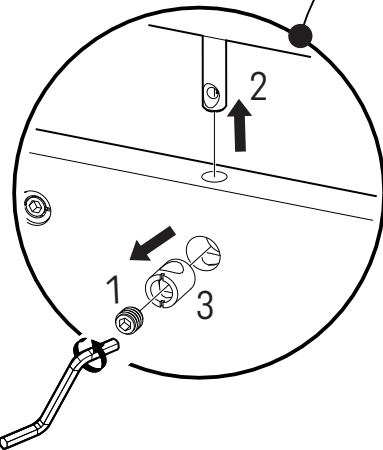
35



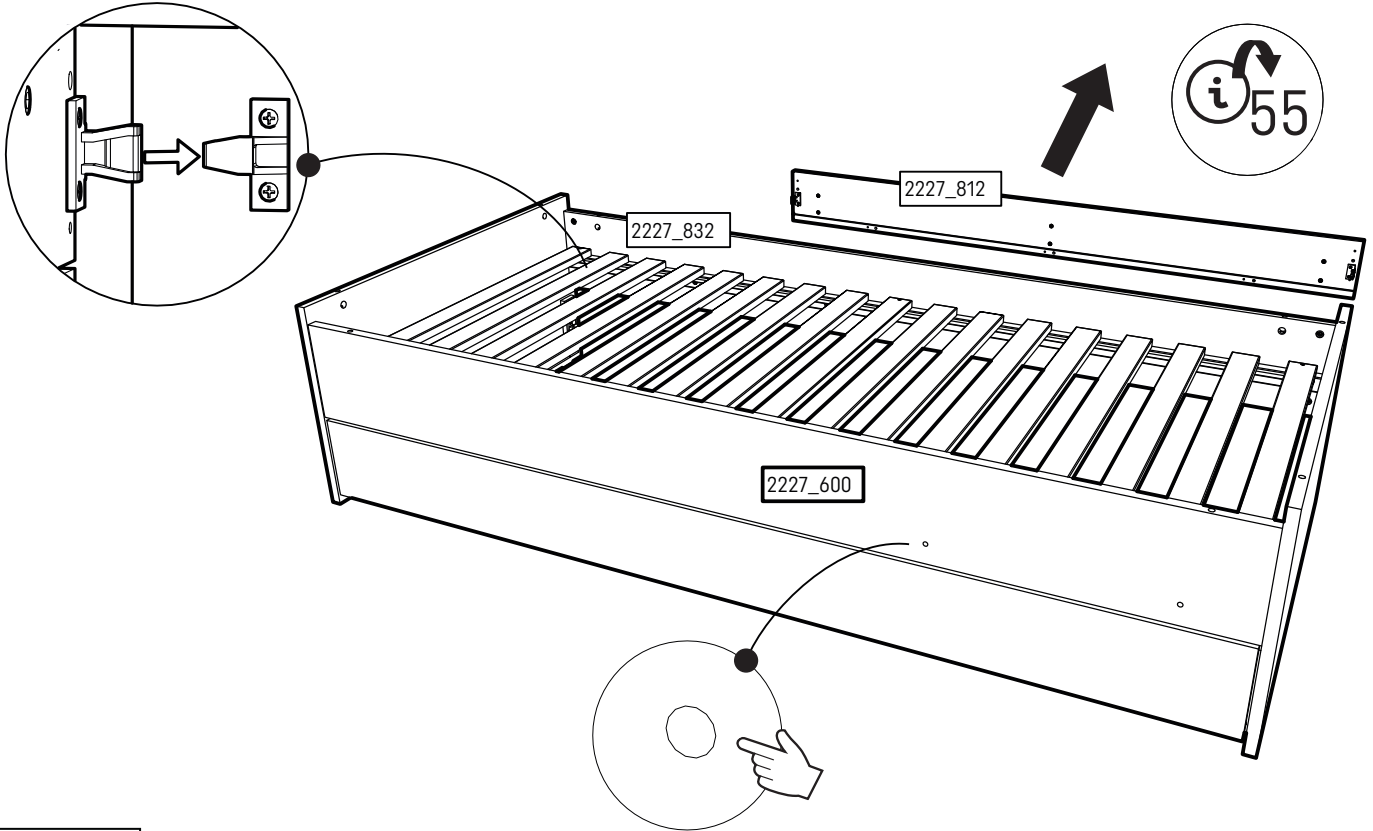
36



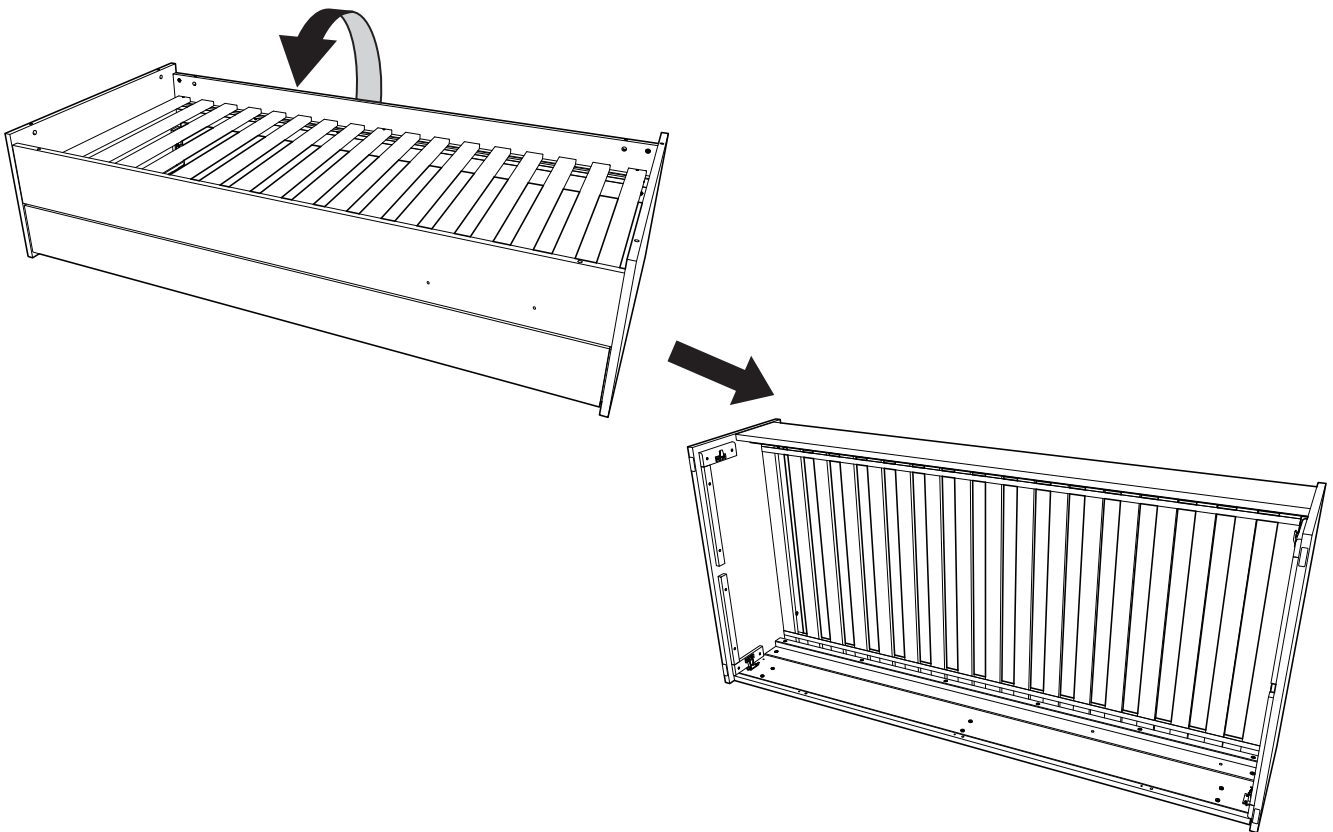
37



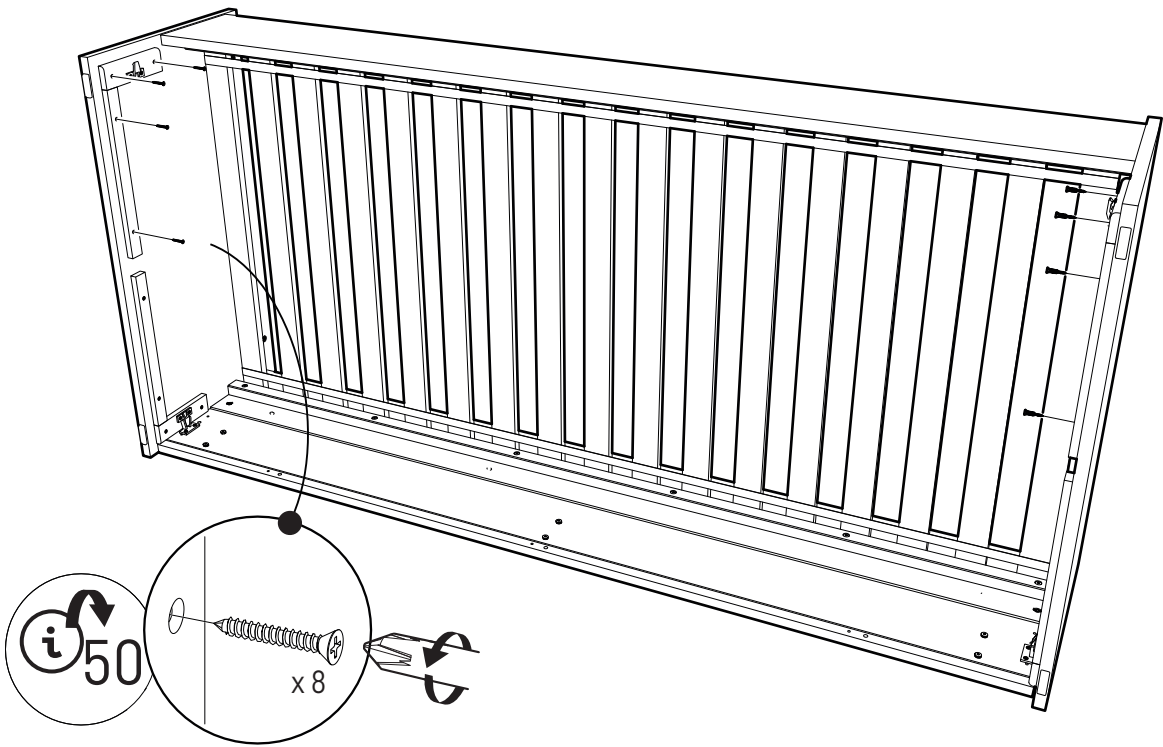
38



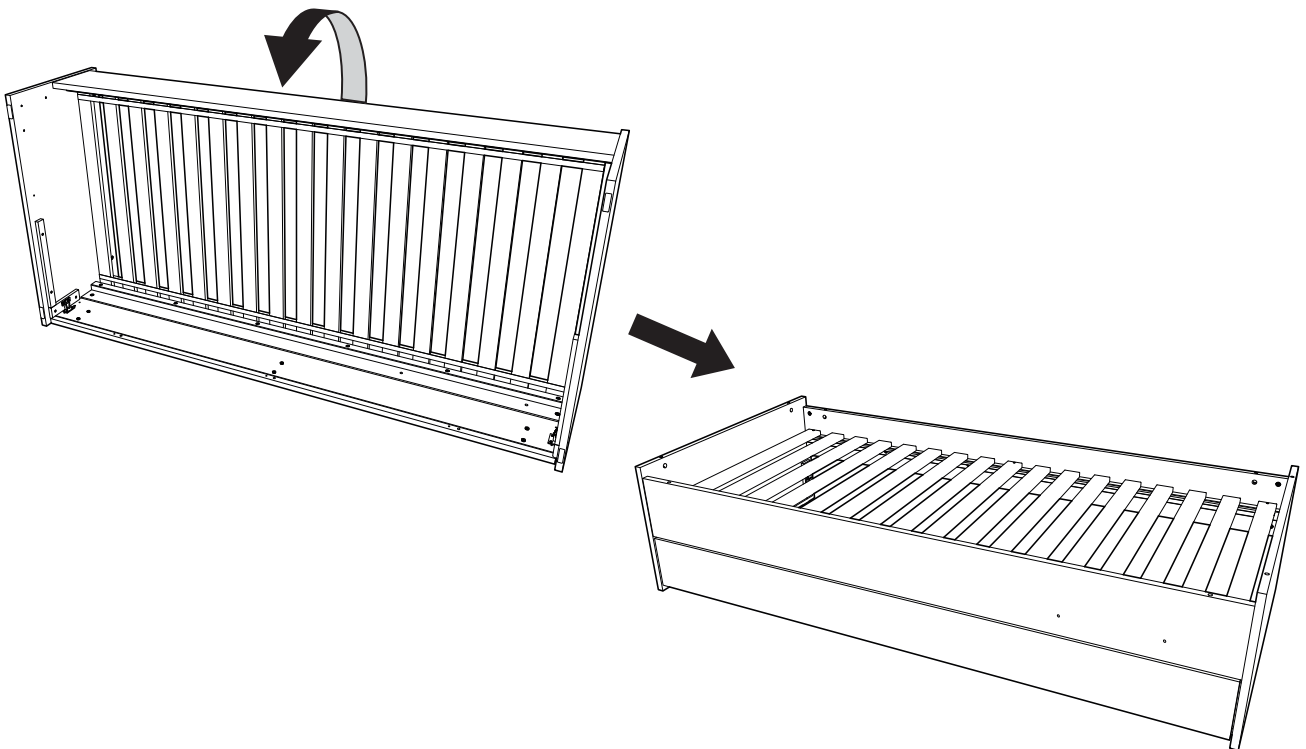
39



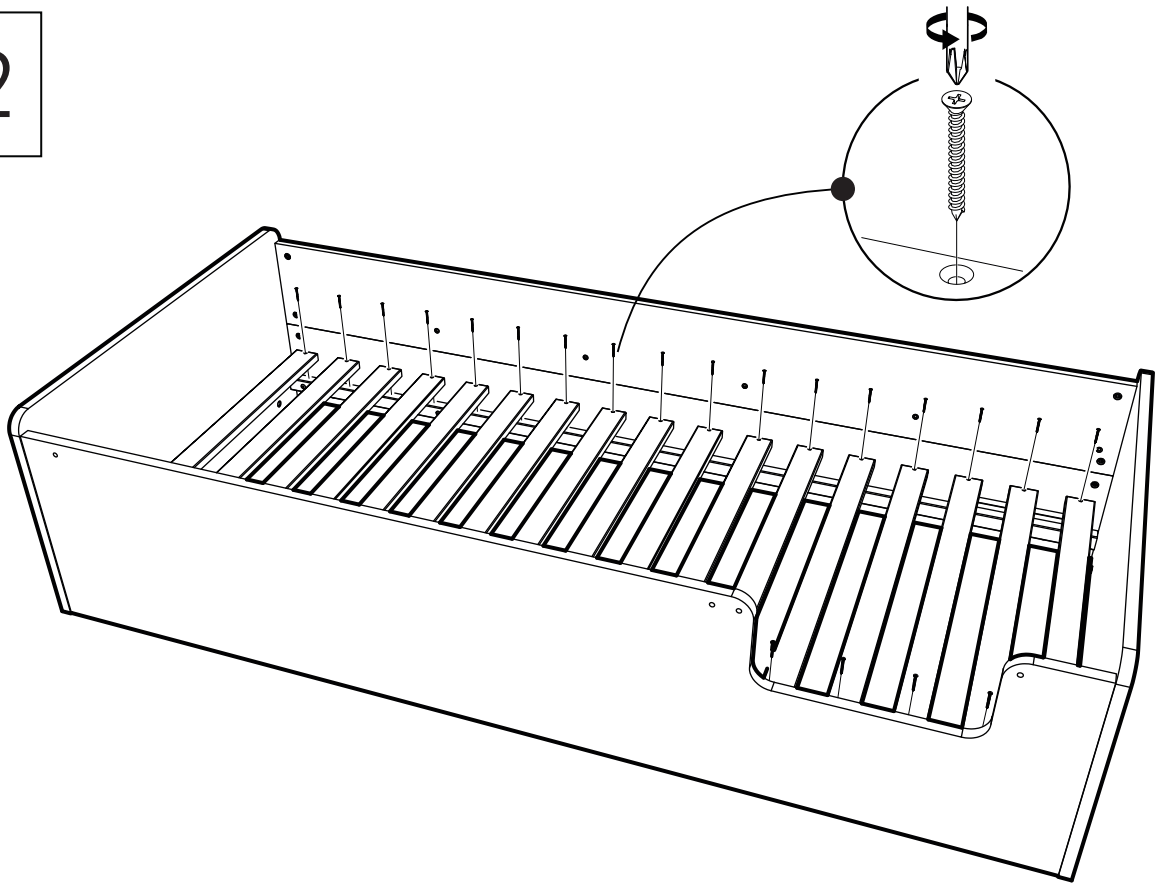
40



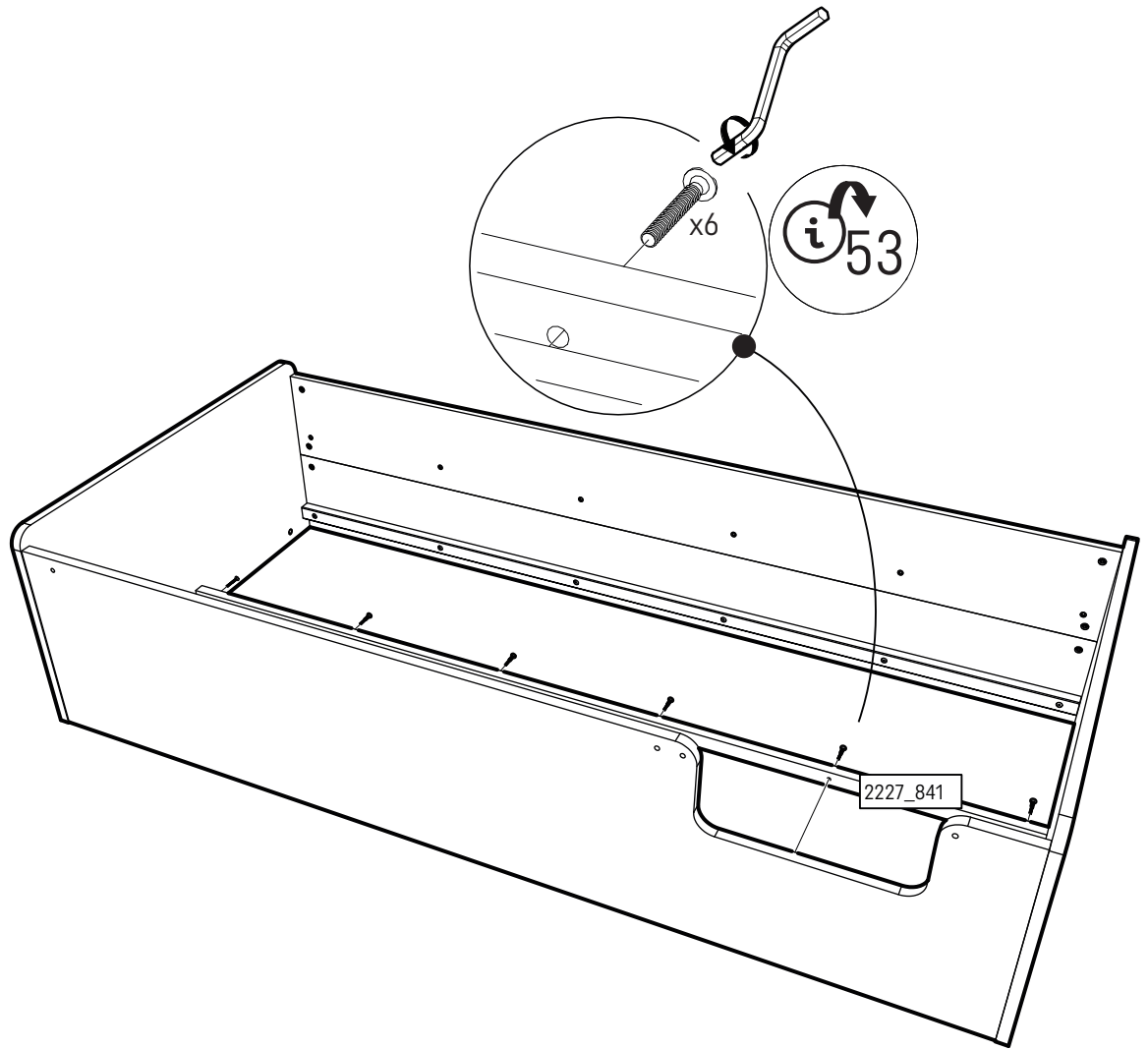
41



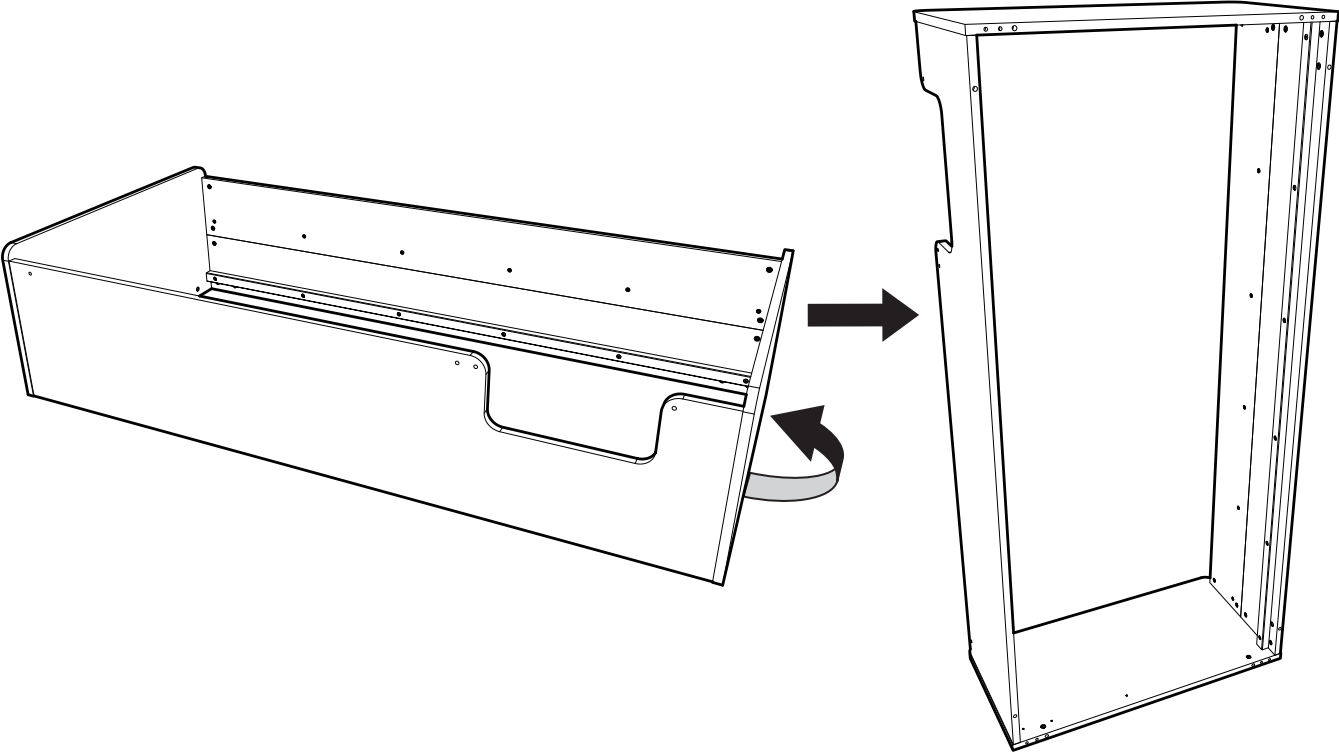
42



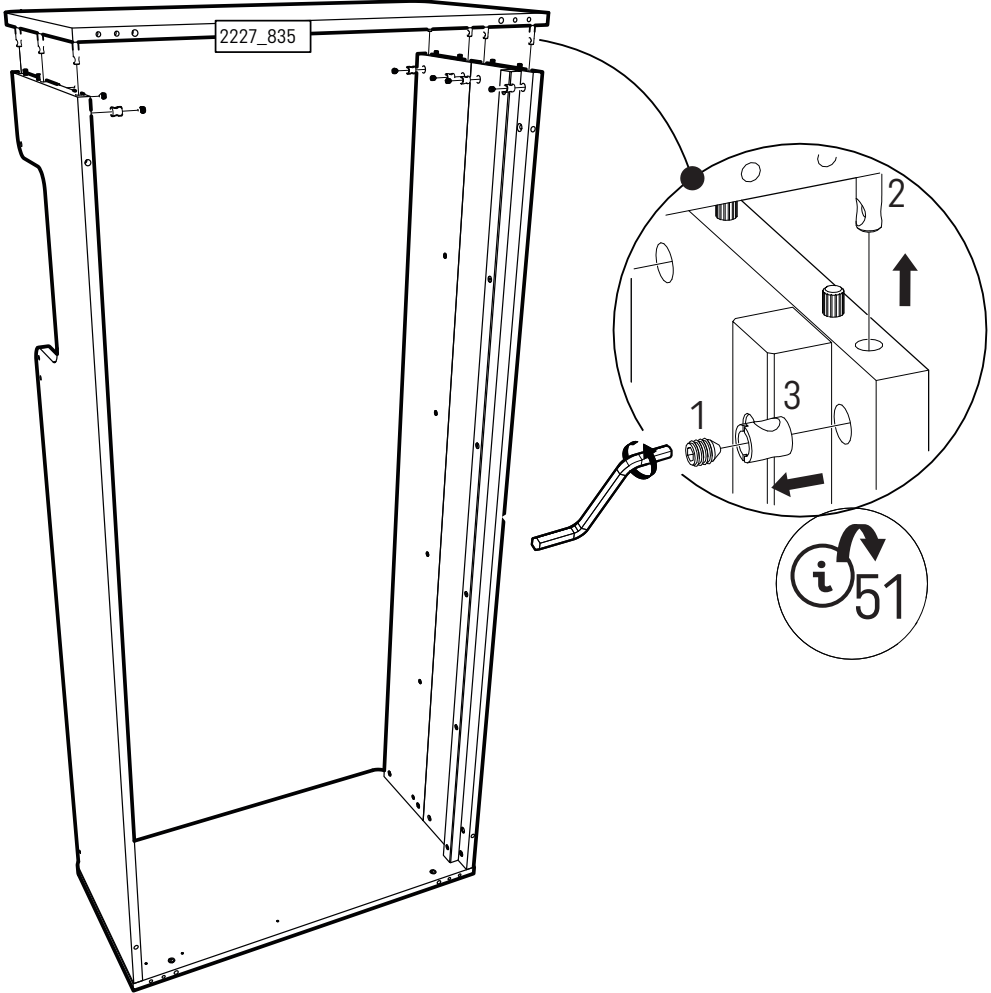
43



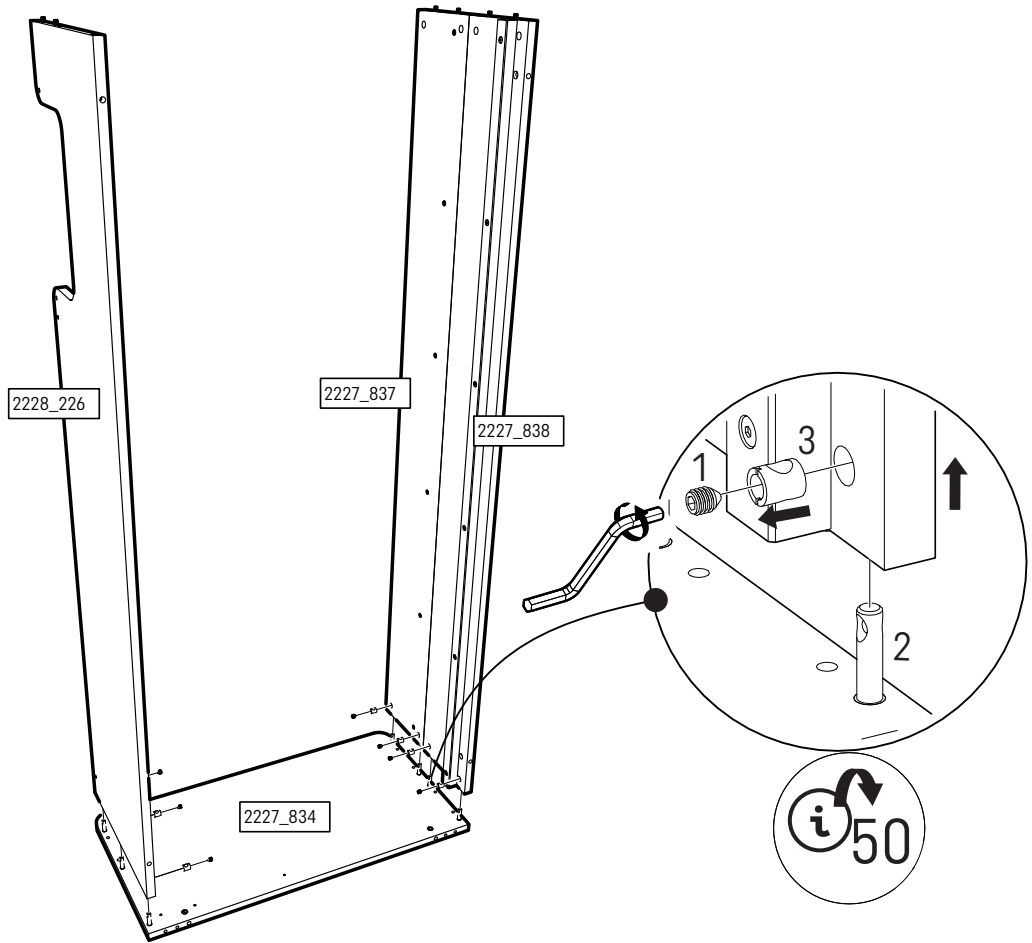
44



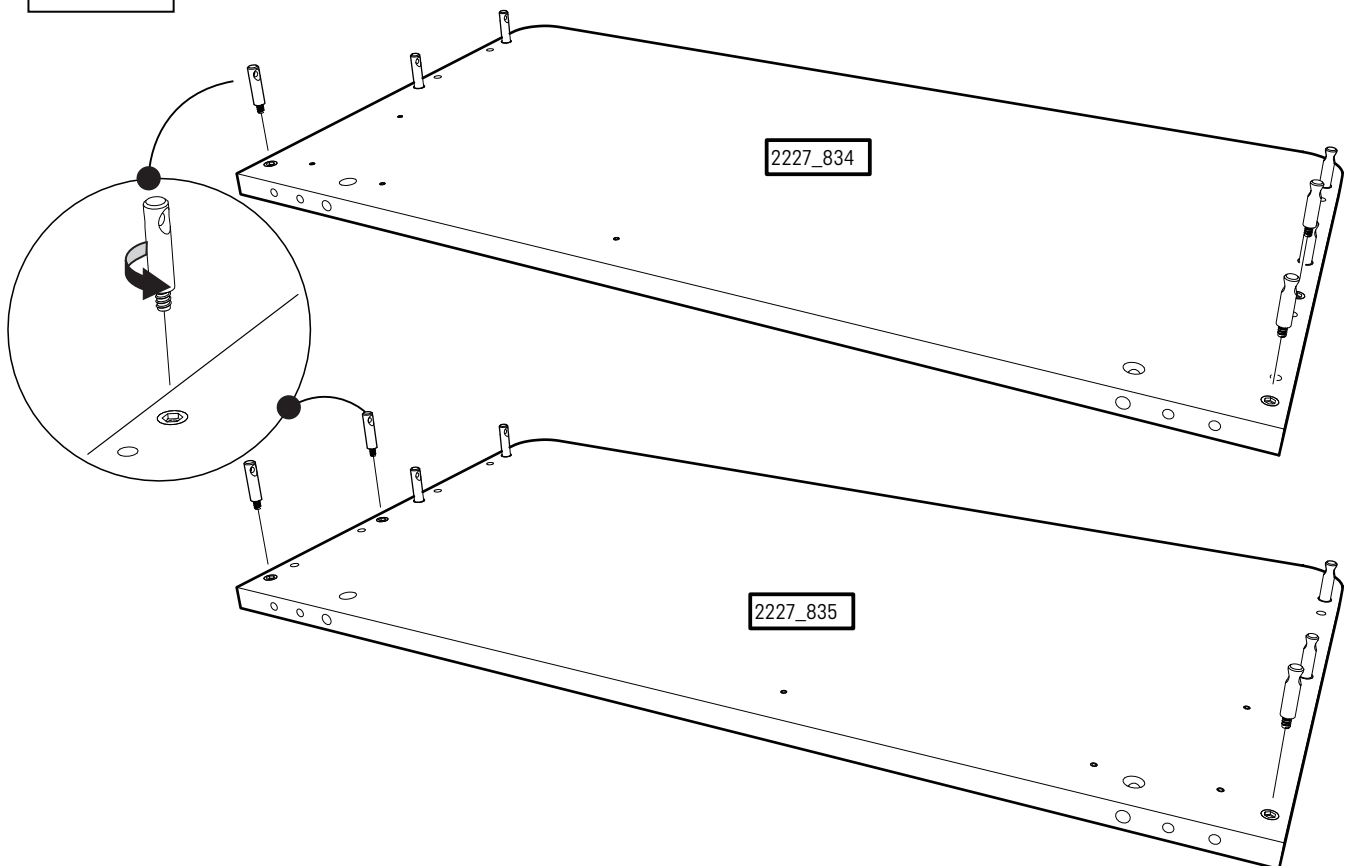
45




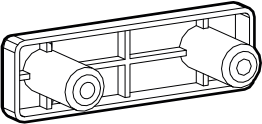
46

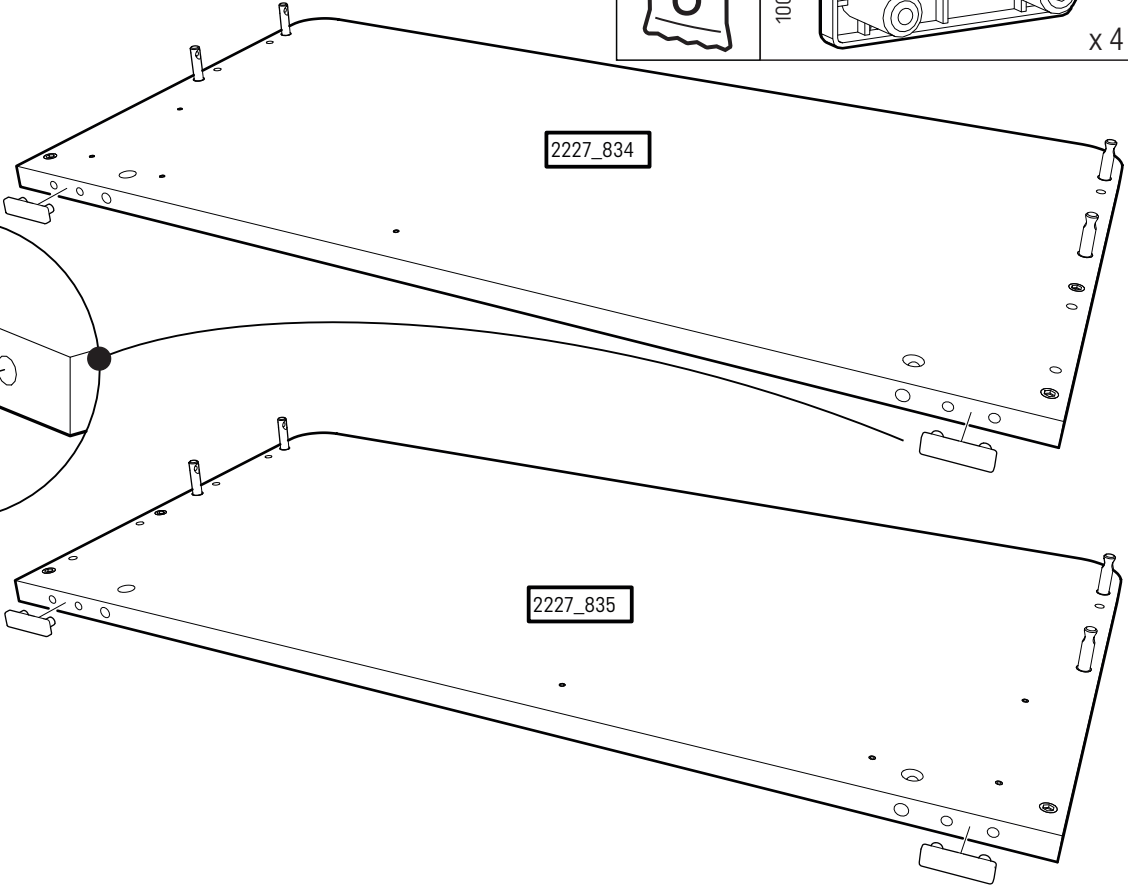
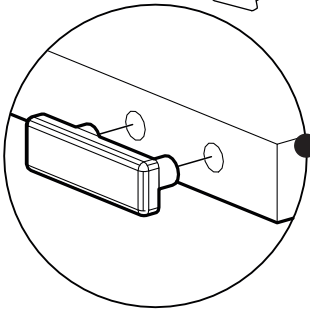


47

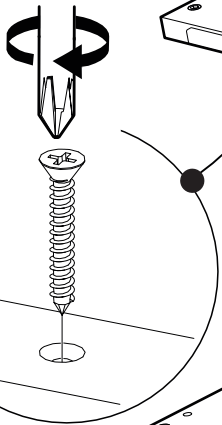
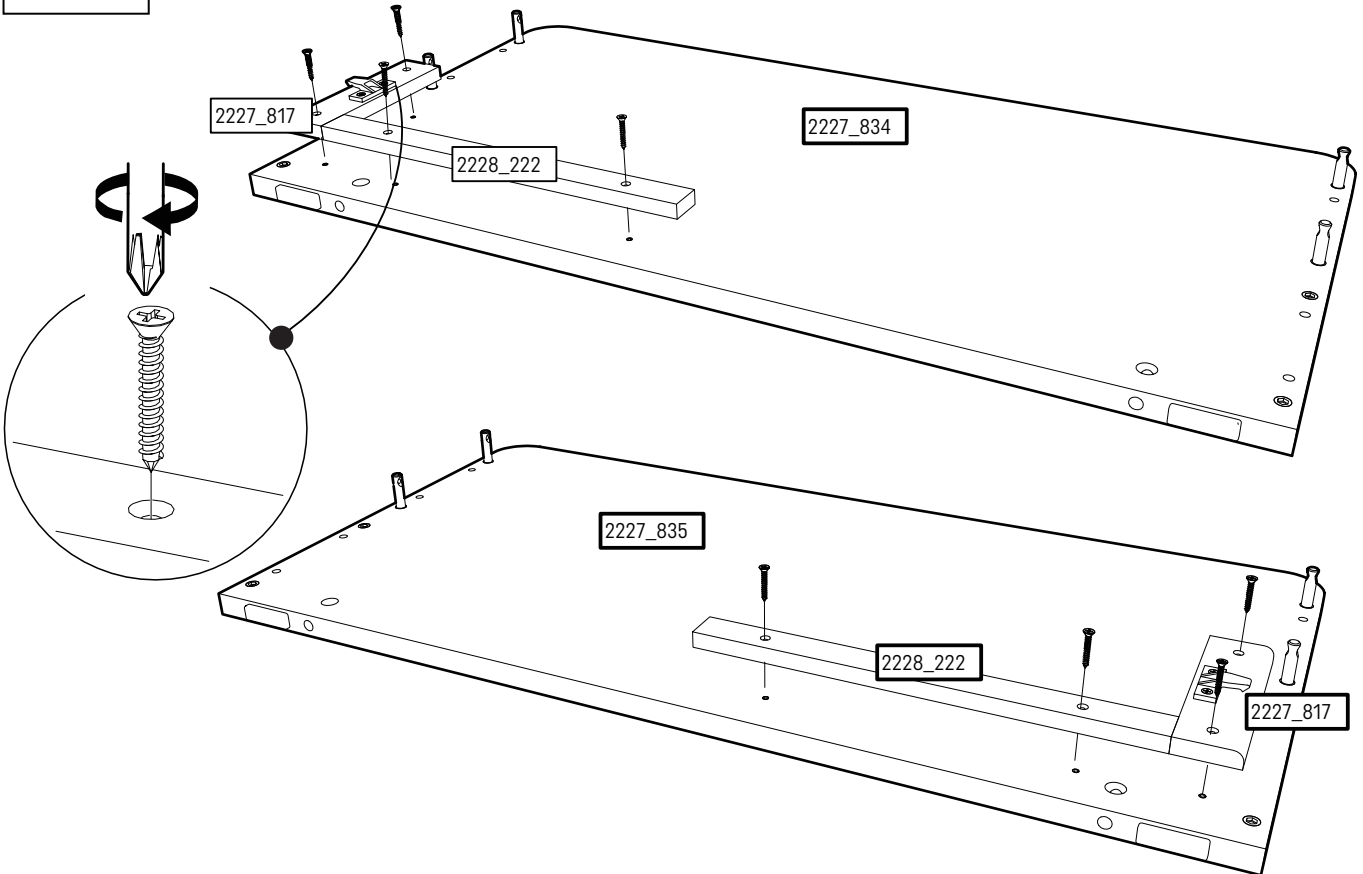


48

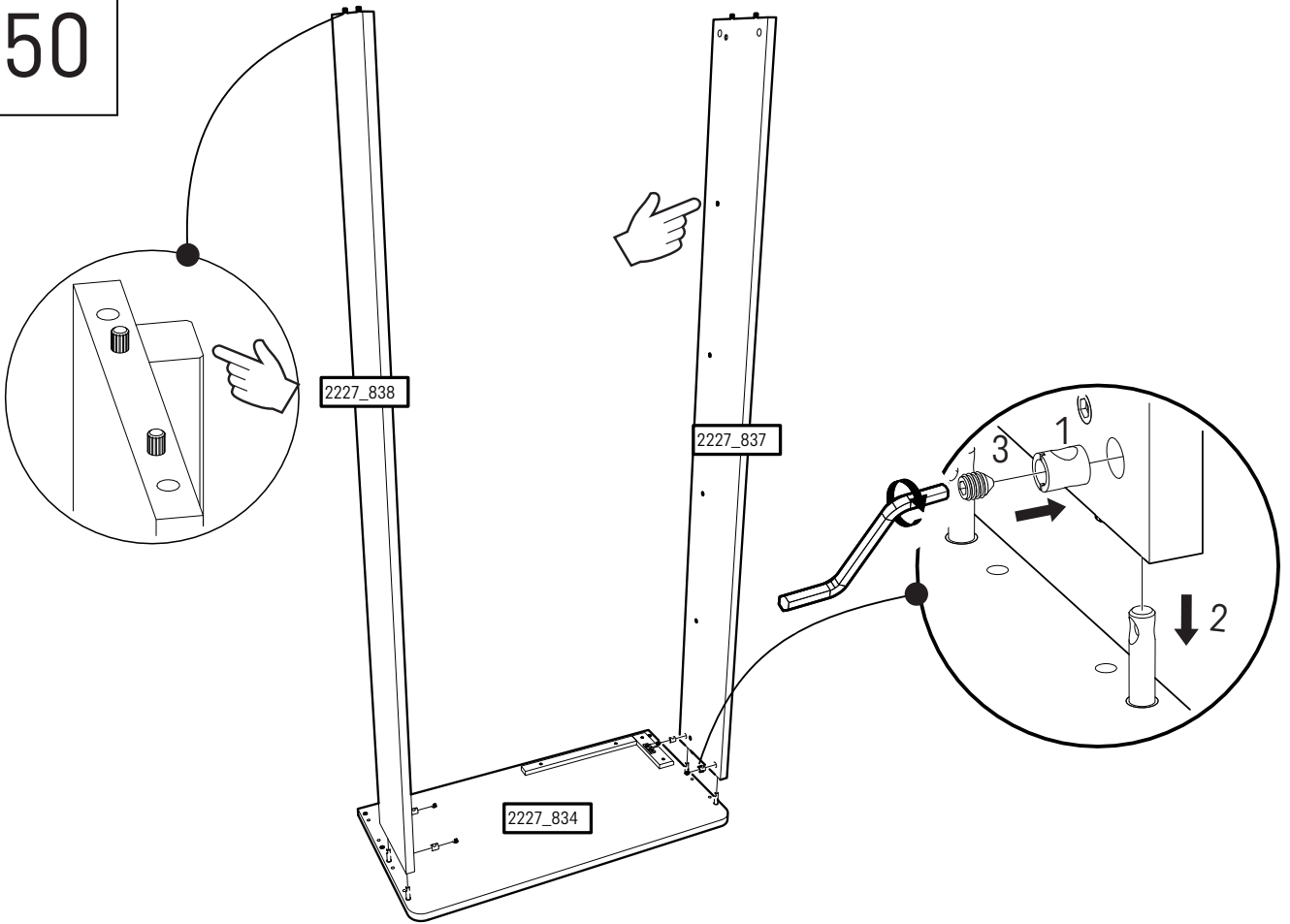
 <p>6</p>	<p>1000868</p>	 <p>x 4</p>
---	----------------	--



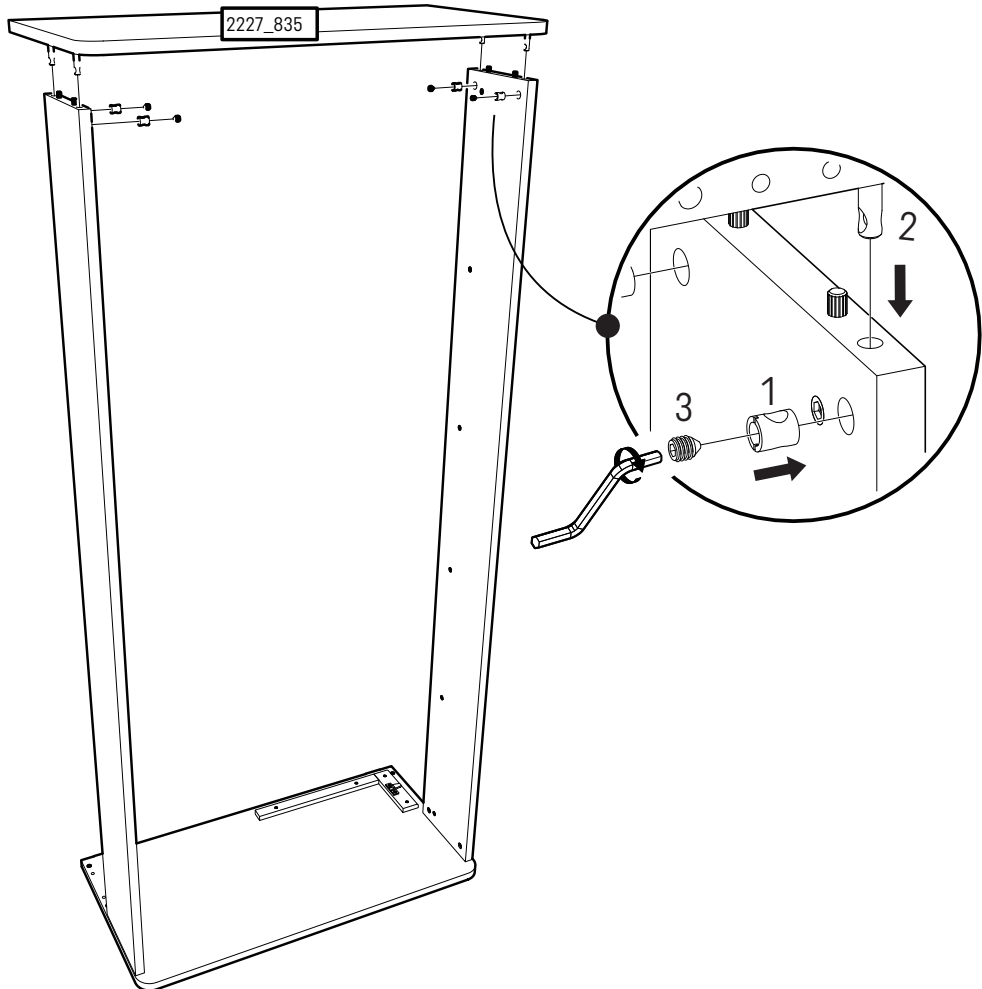
49



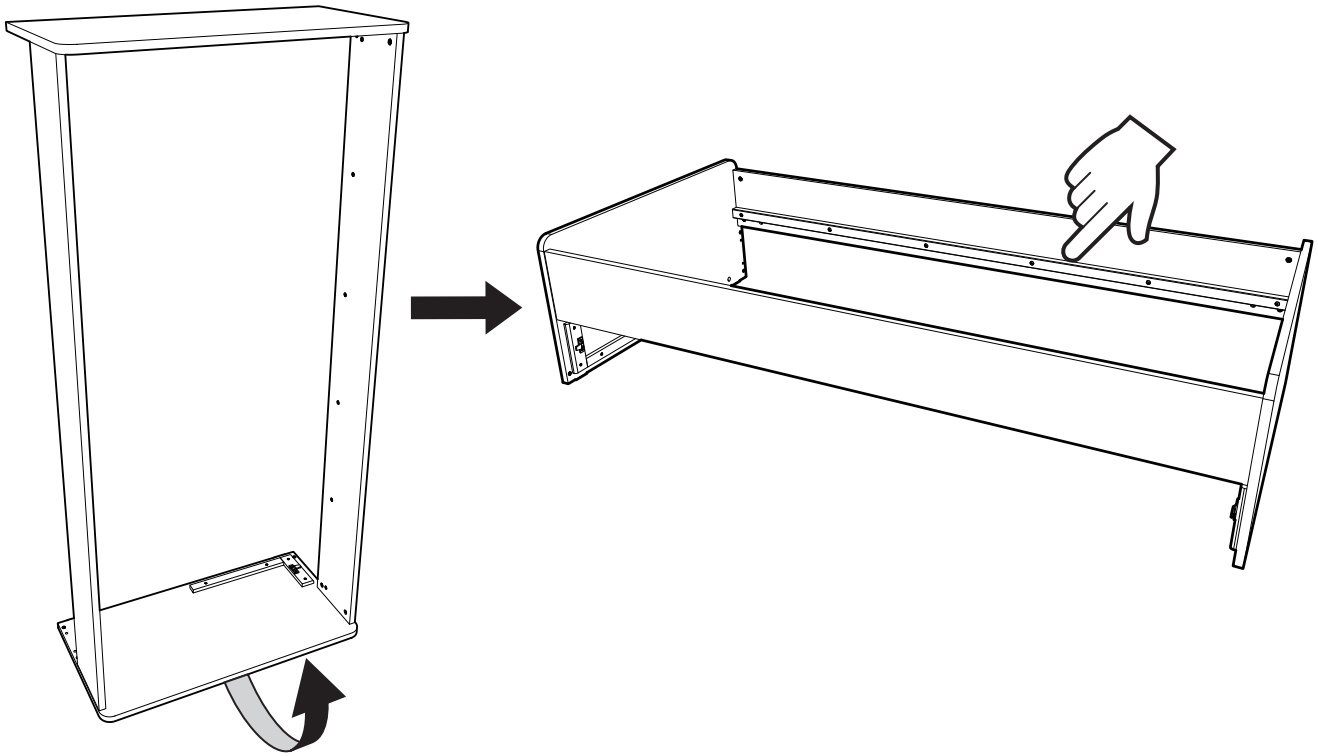
50



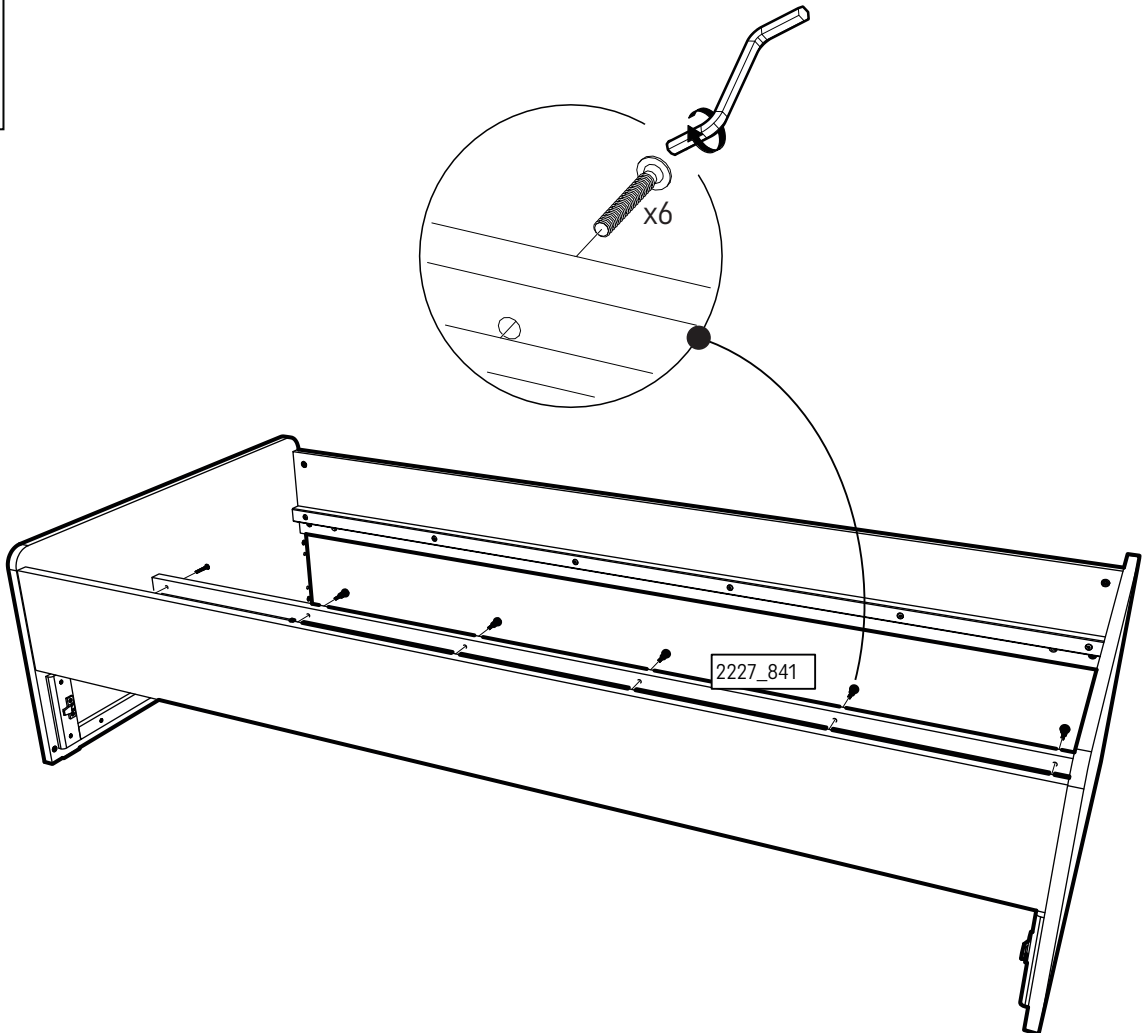
51



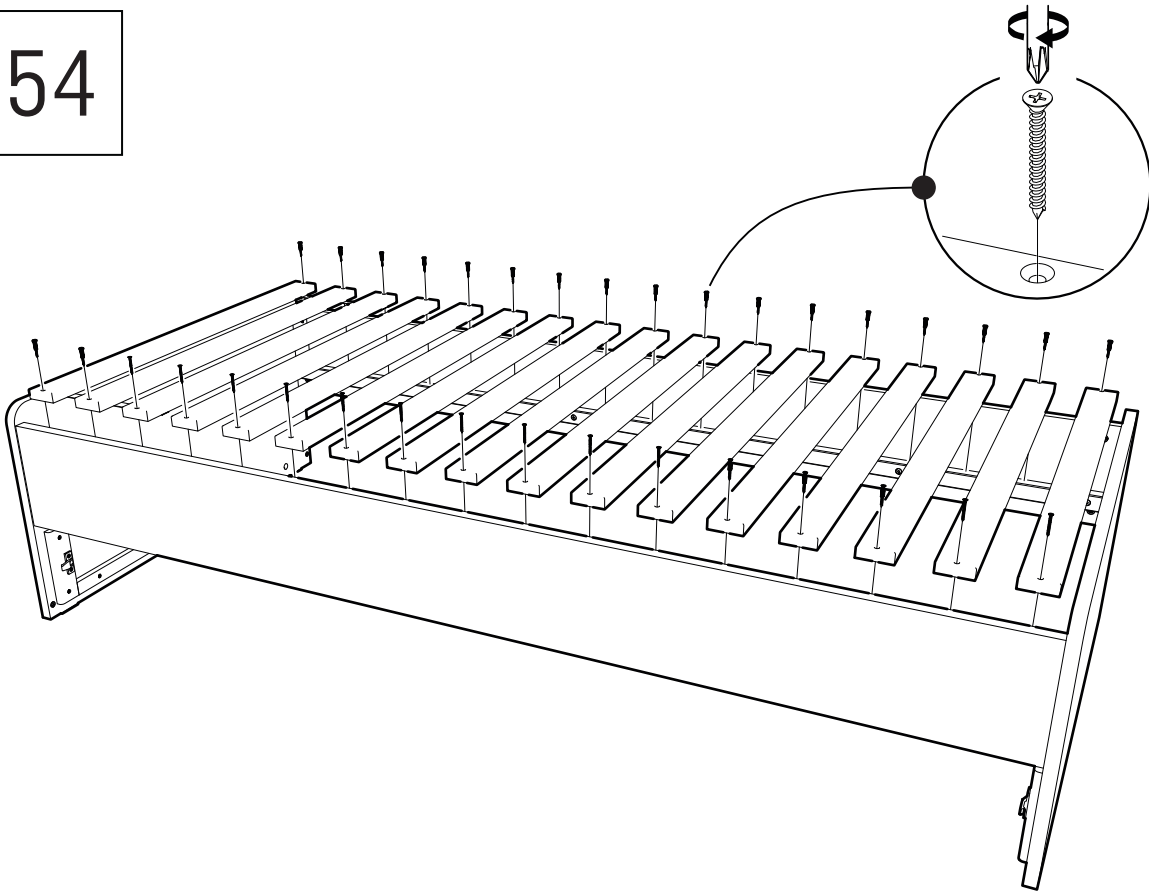
52



53



54



55

