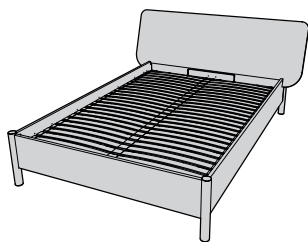


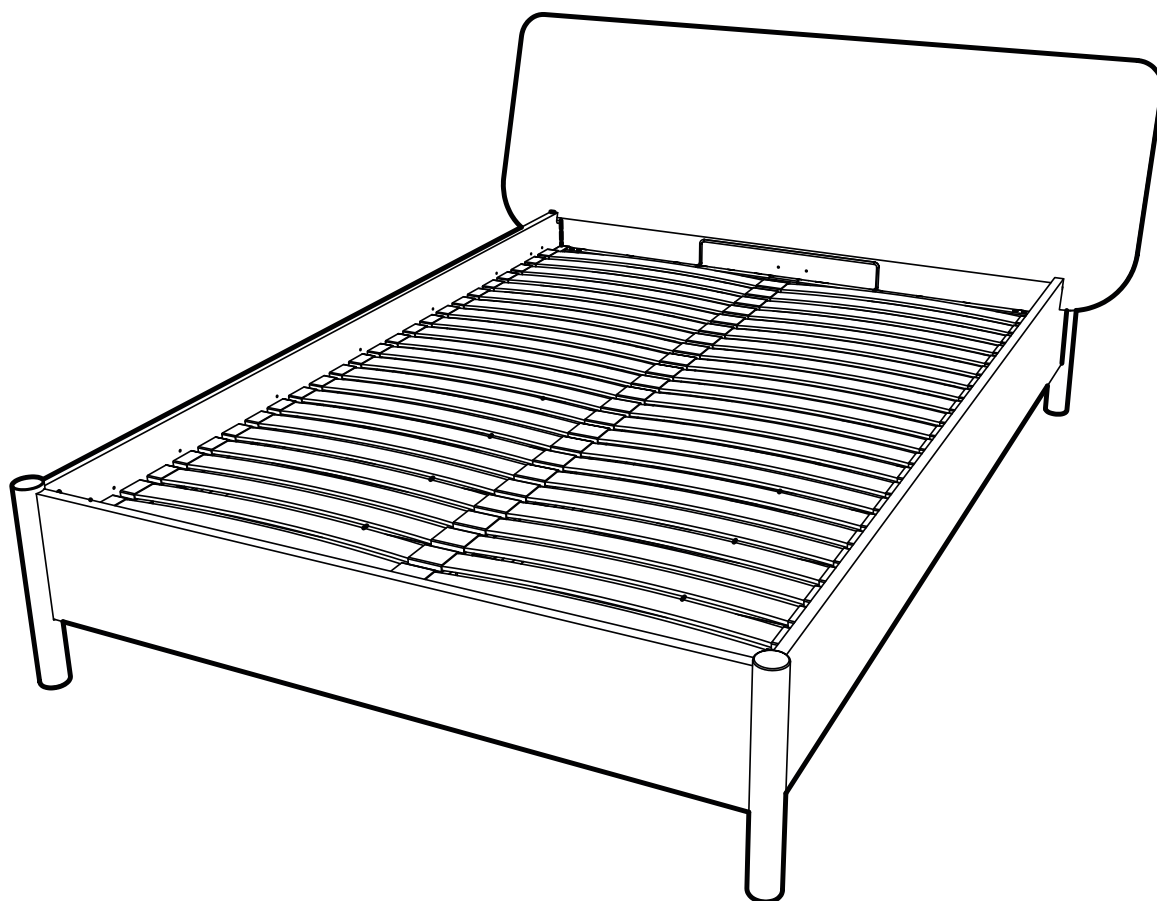
# OMM



4022483\_001



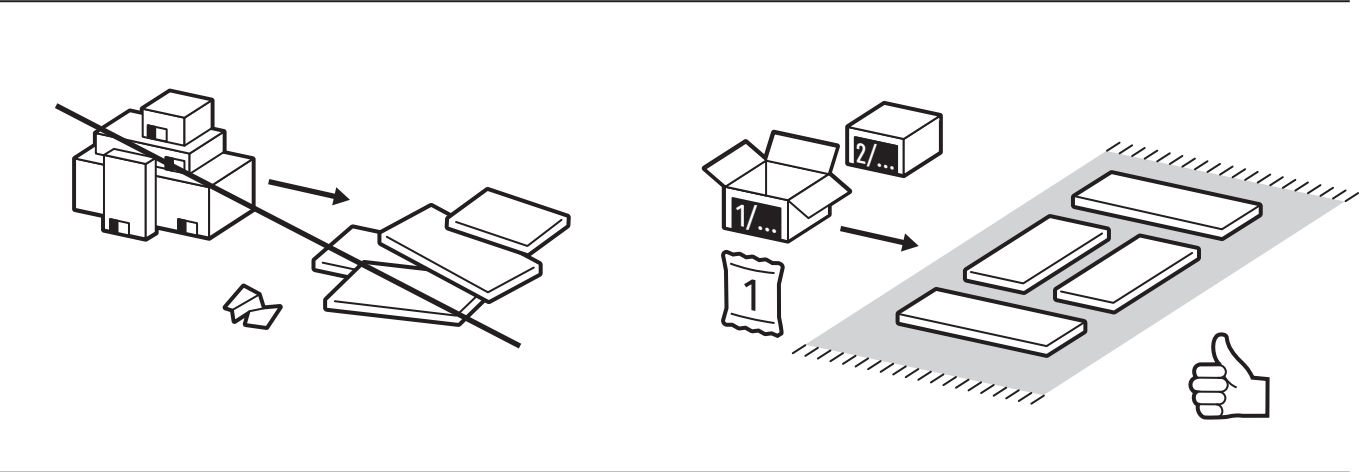
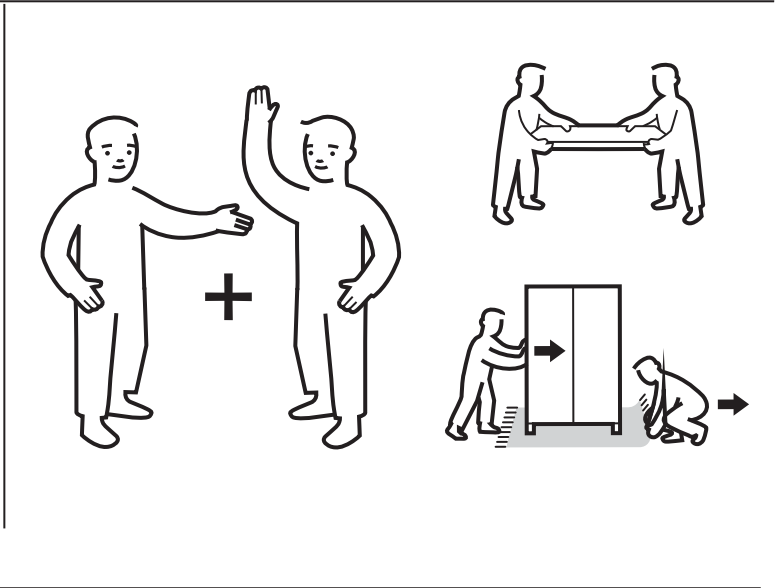
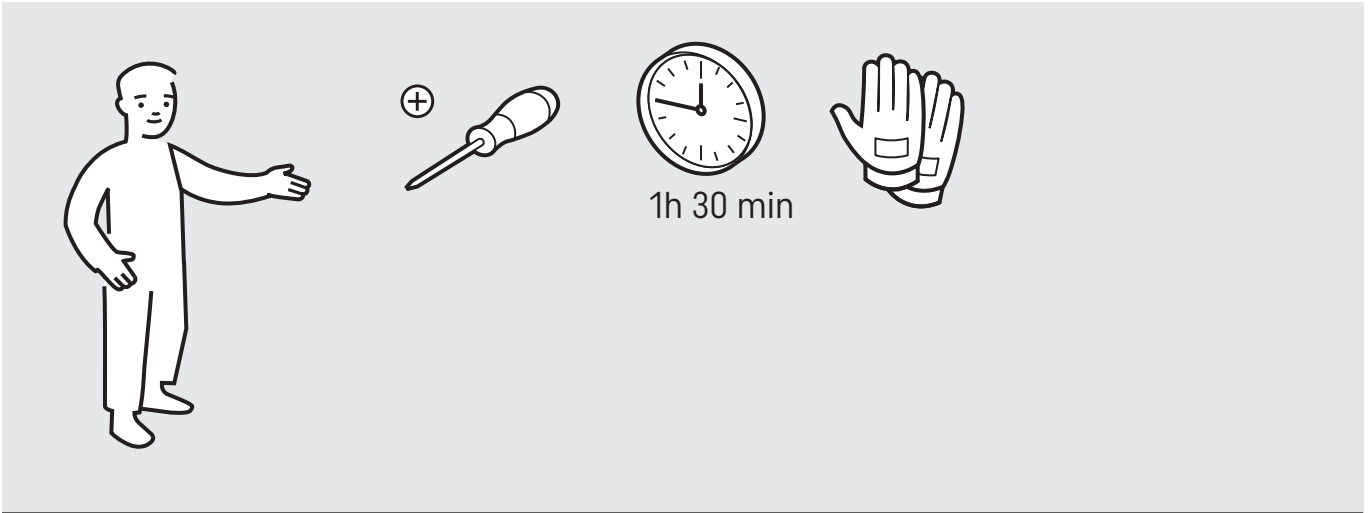
197,5x224x92,5 cm  
77 ¾x88 ¼x36 ½"

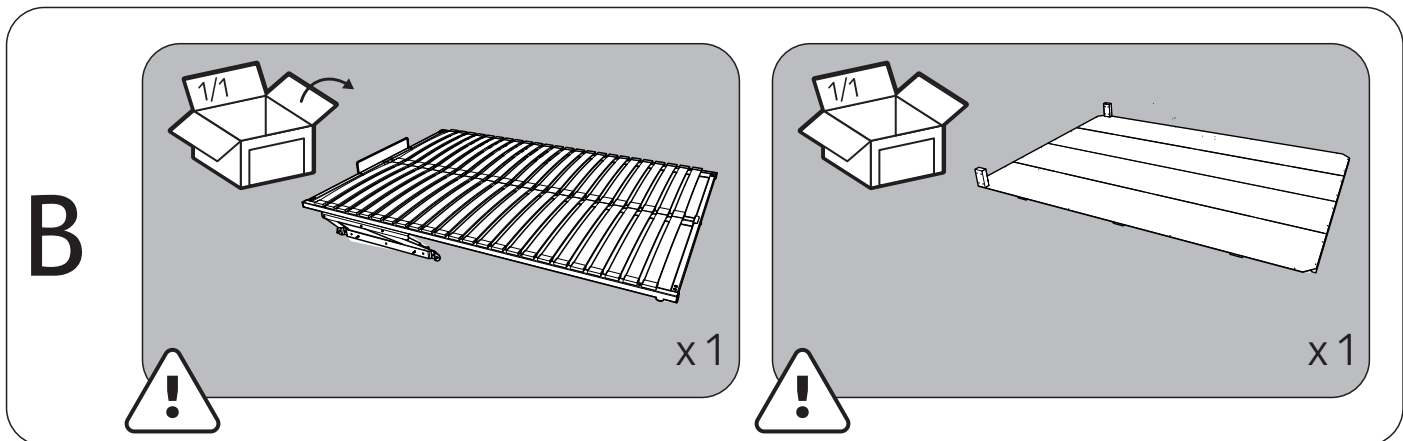
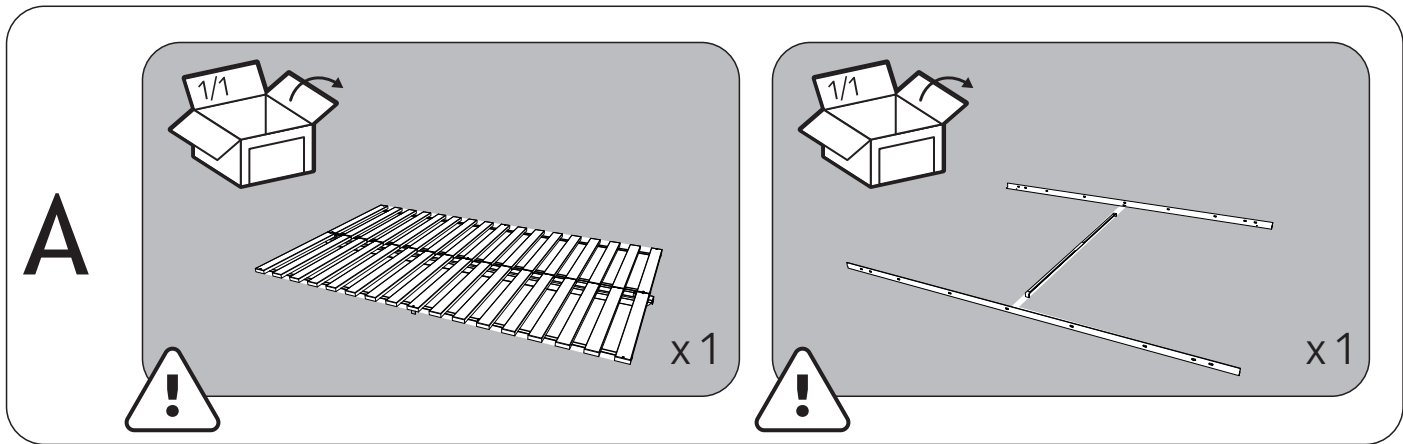
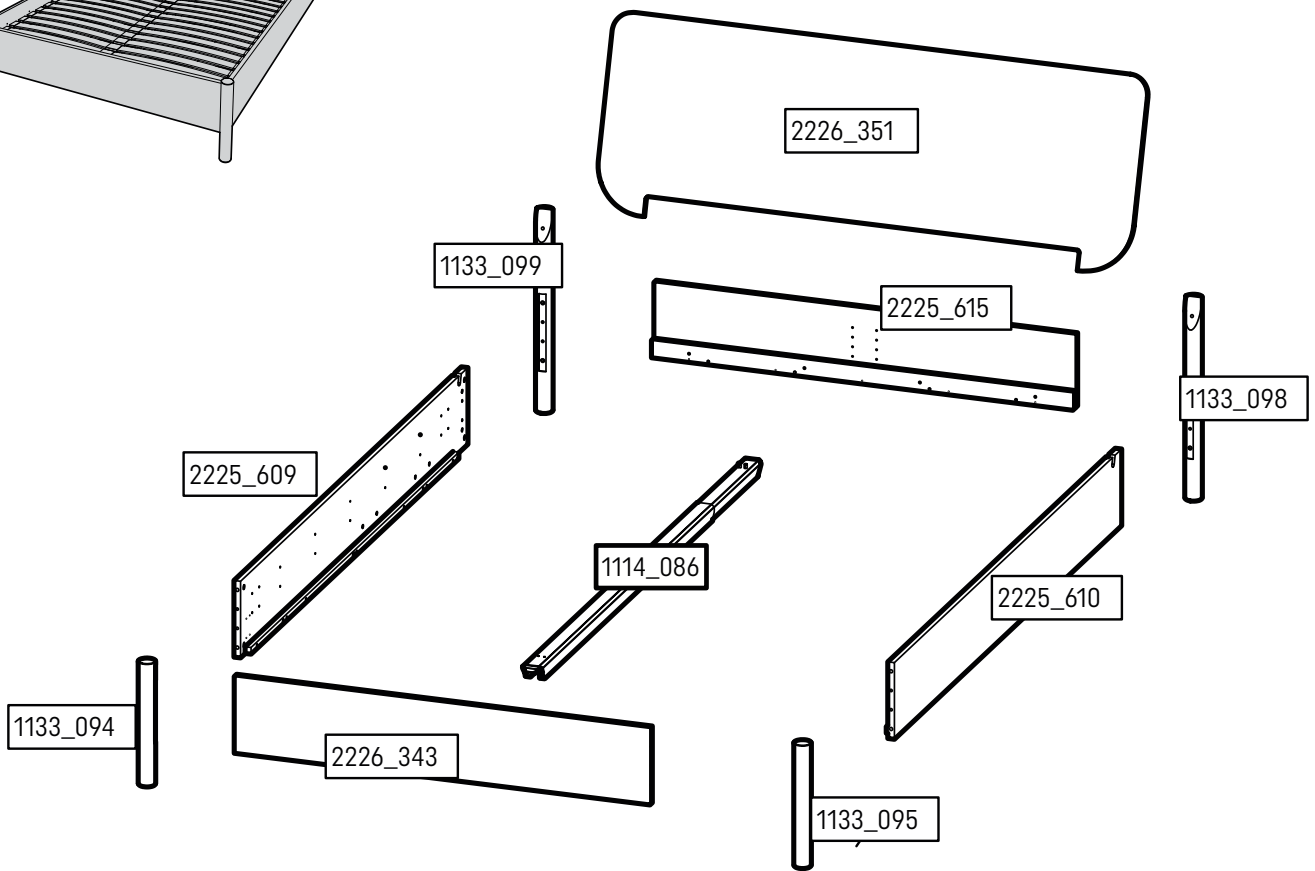
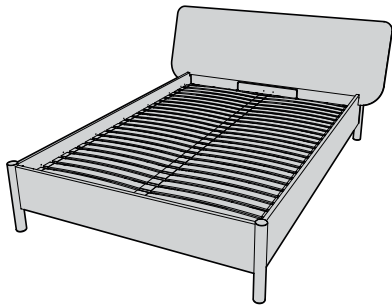


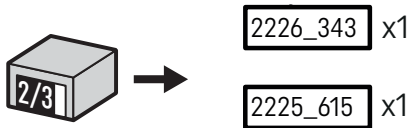
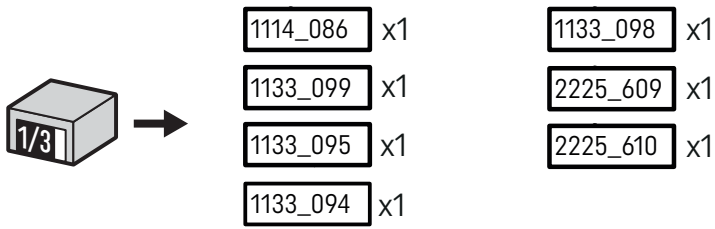
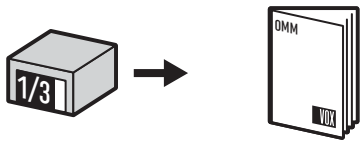
PL • vox.pl



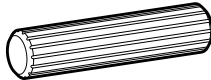
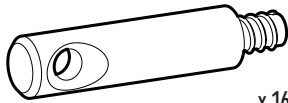

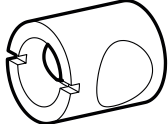
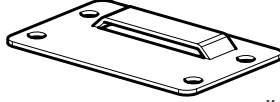


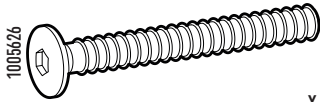
EU • voxfurniture.com

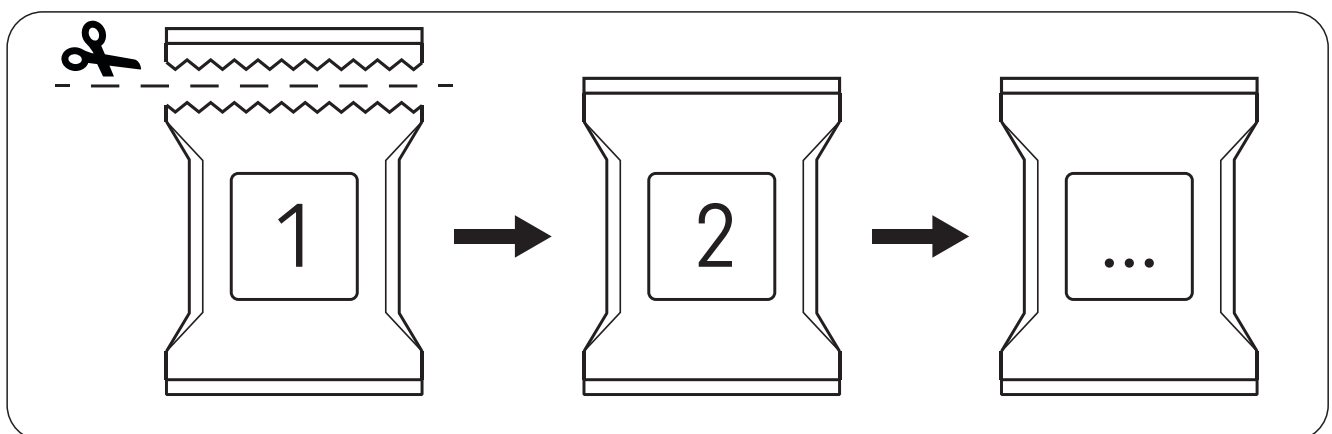
US • voelkelcorp.com



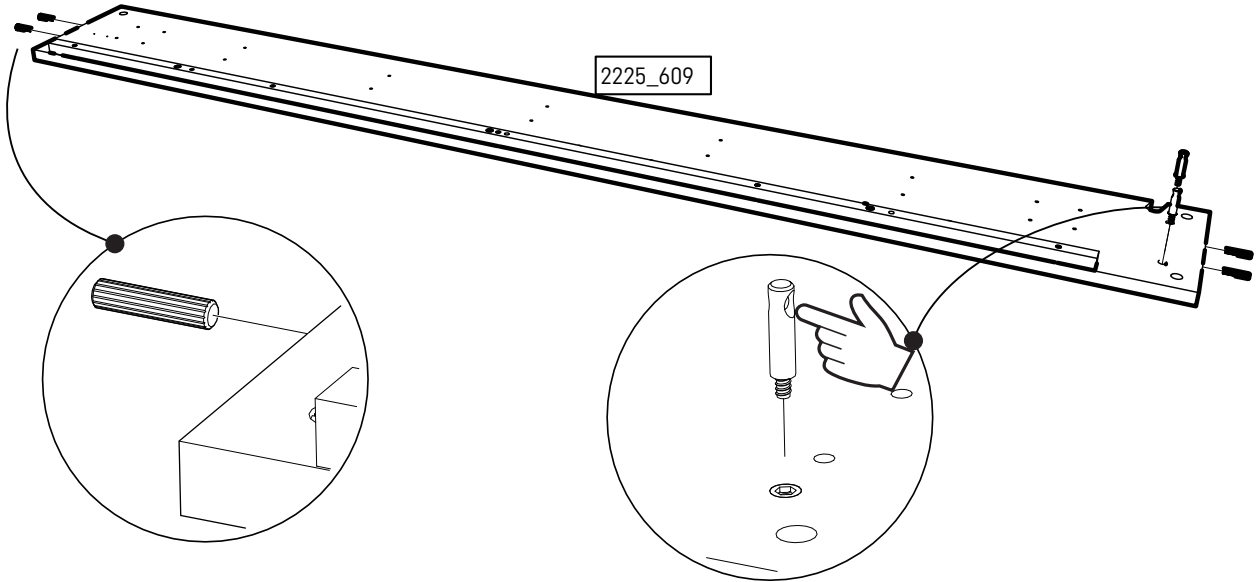
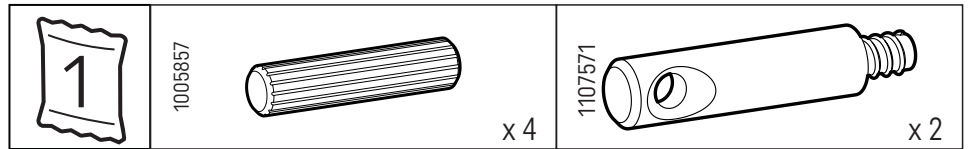




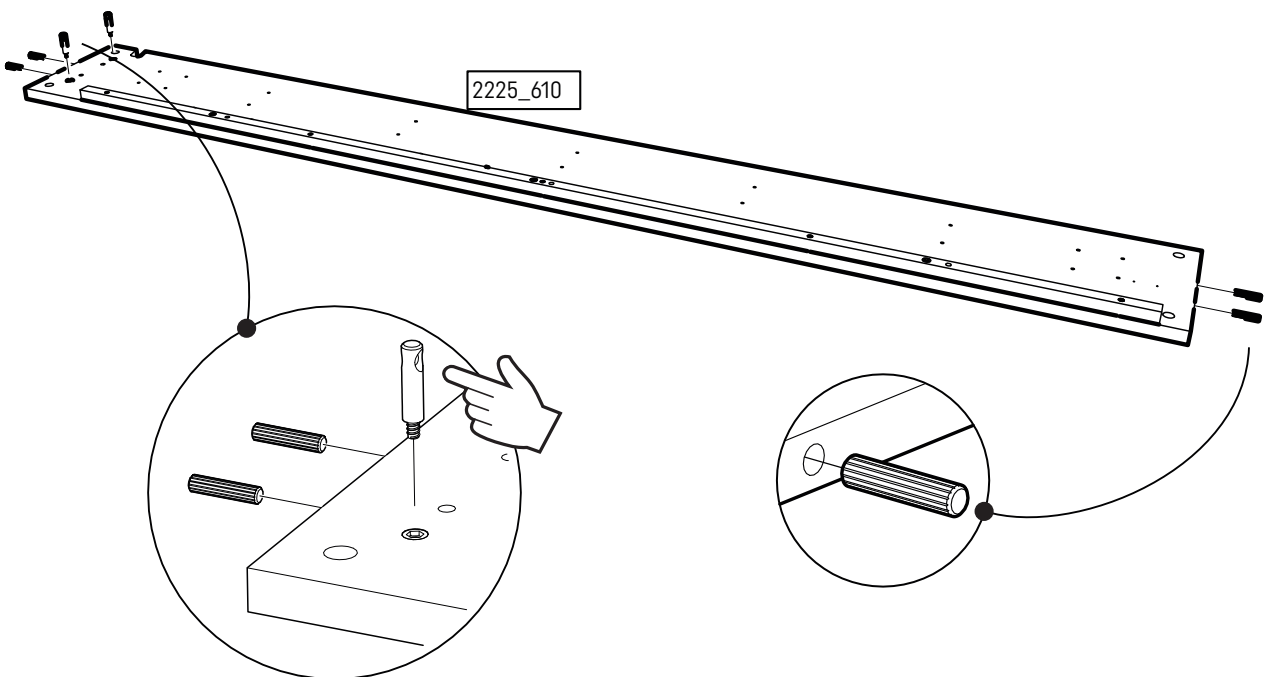
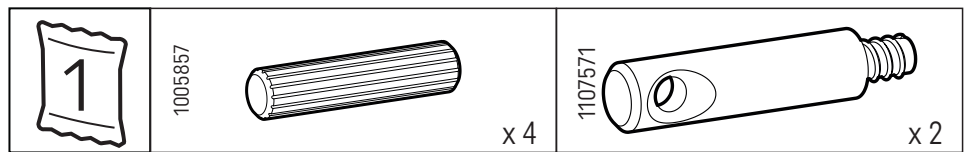
1000806  x1	1111440  x1	1005857  x14	1107571  x16
1109474  x16	1109473  x16	1114087  x2	1005714  x8
1113824  x4	1005626  x2		



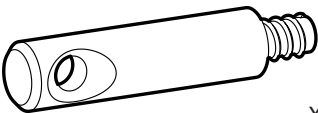

1




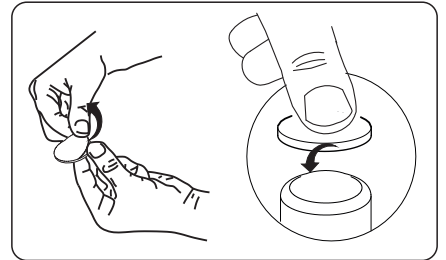
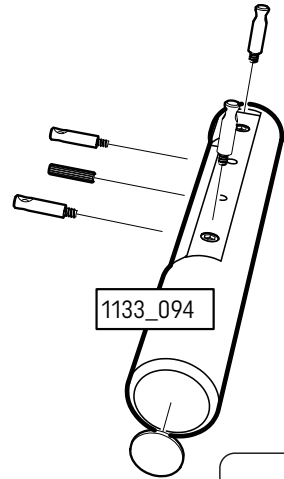
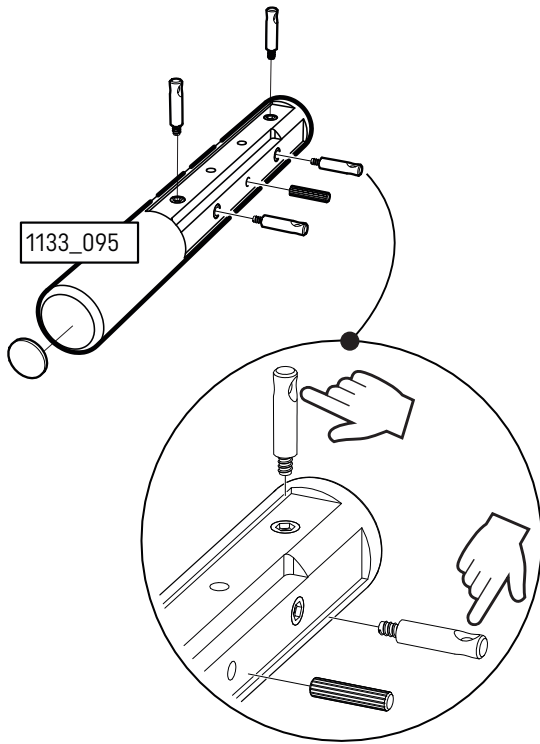
2



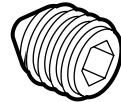
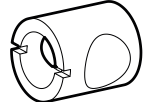
3

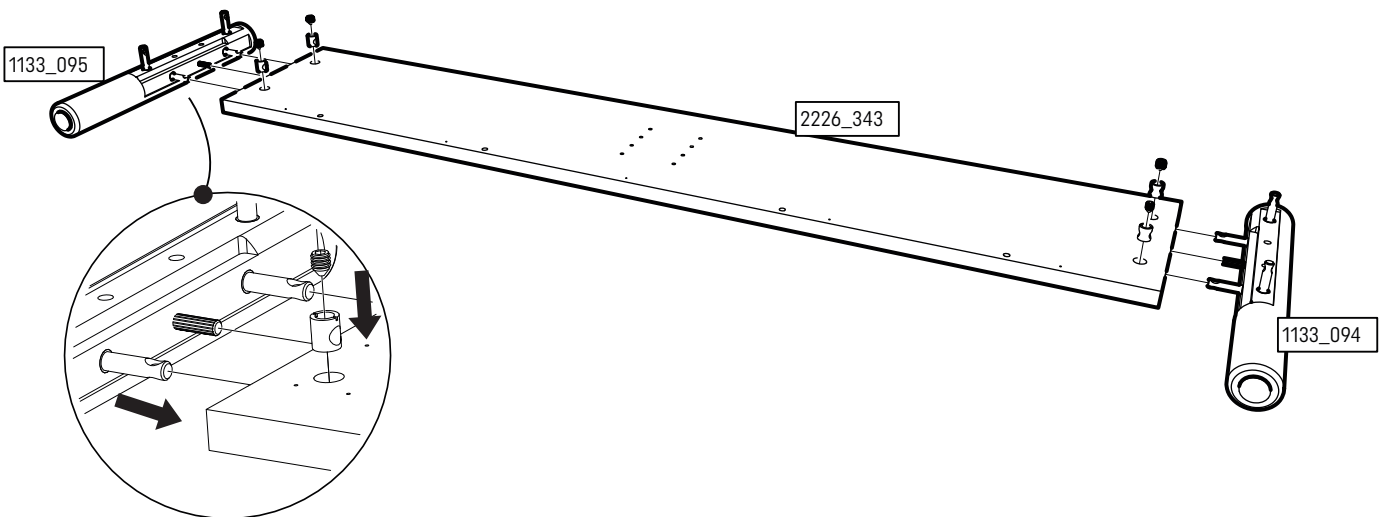
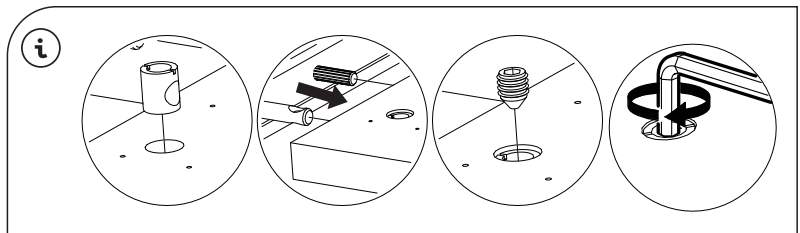
1	1107571  x 8	1005857  x 2
---	--	---

1113824  x 2
---

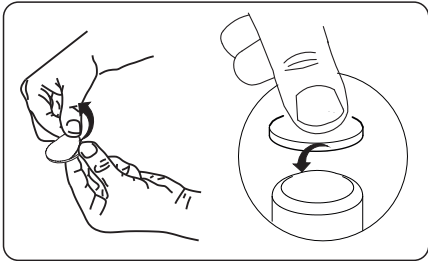
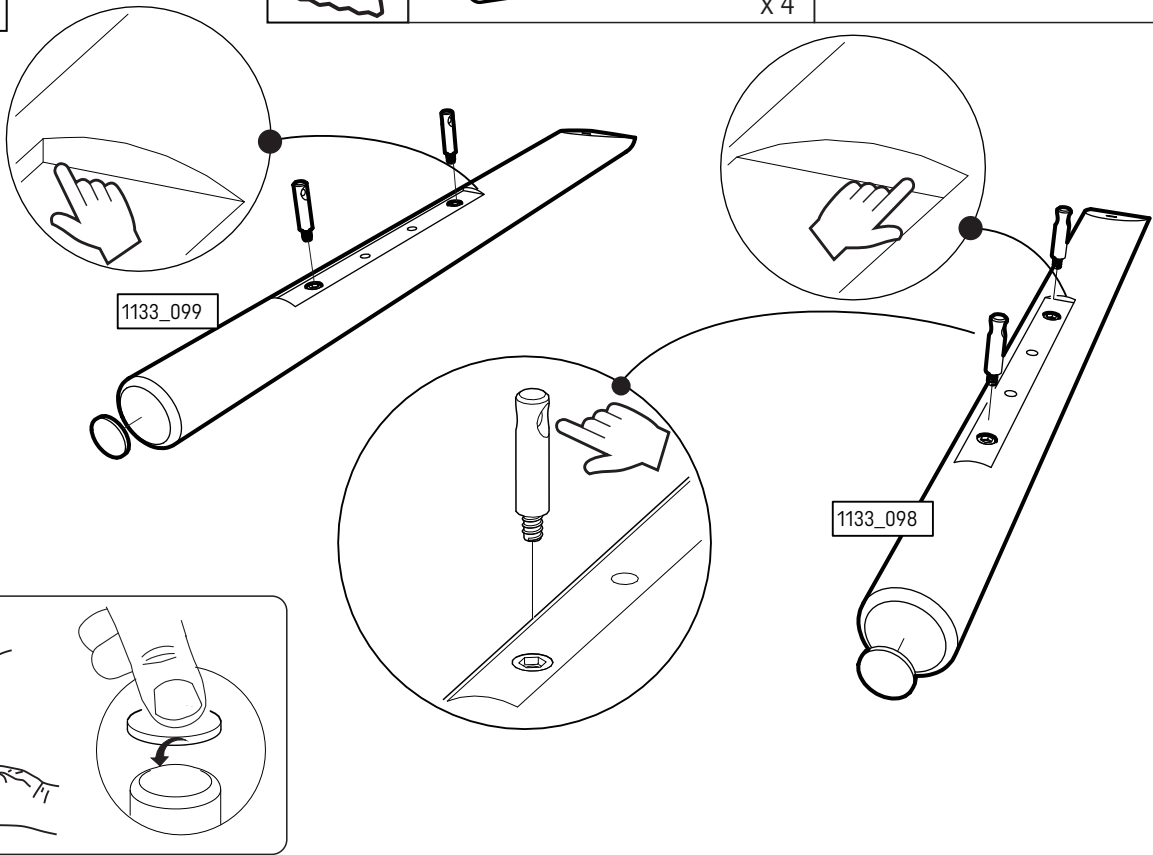
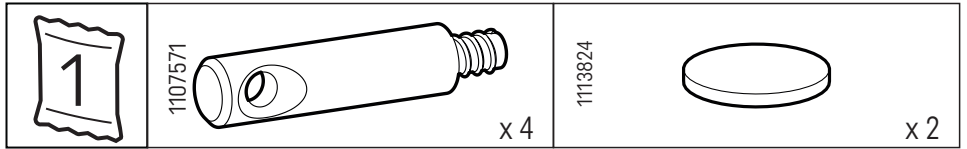


4

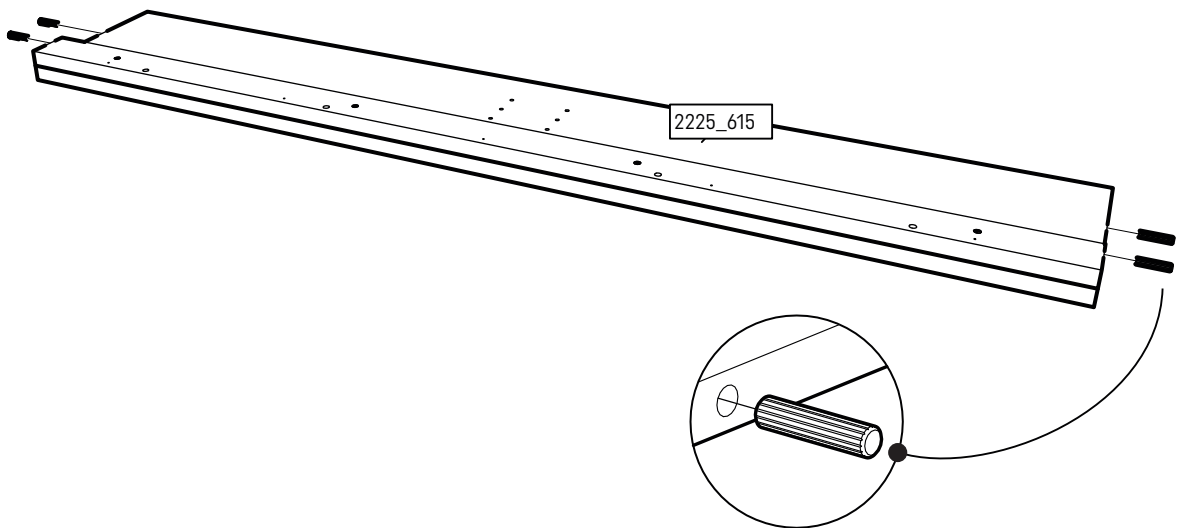
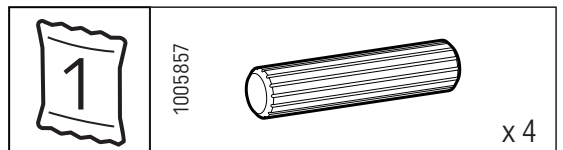
1	1109474  x 4	1109473  x 4
---	---	---



5

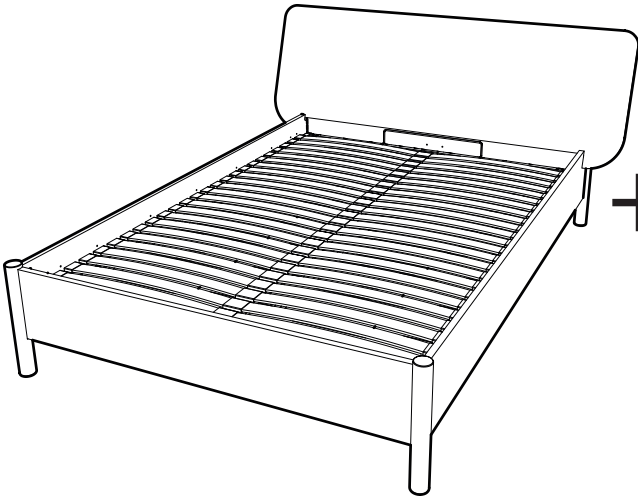


6

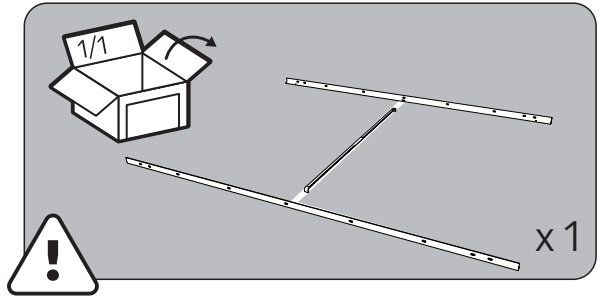
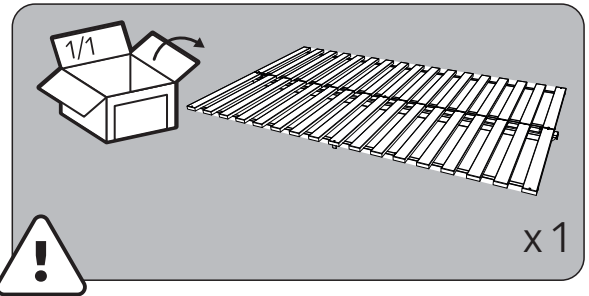




# A ?



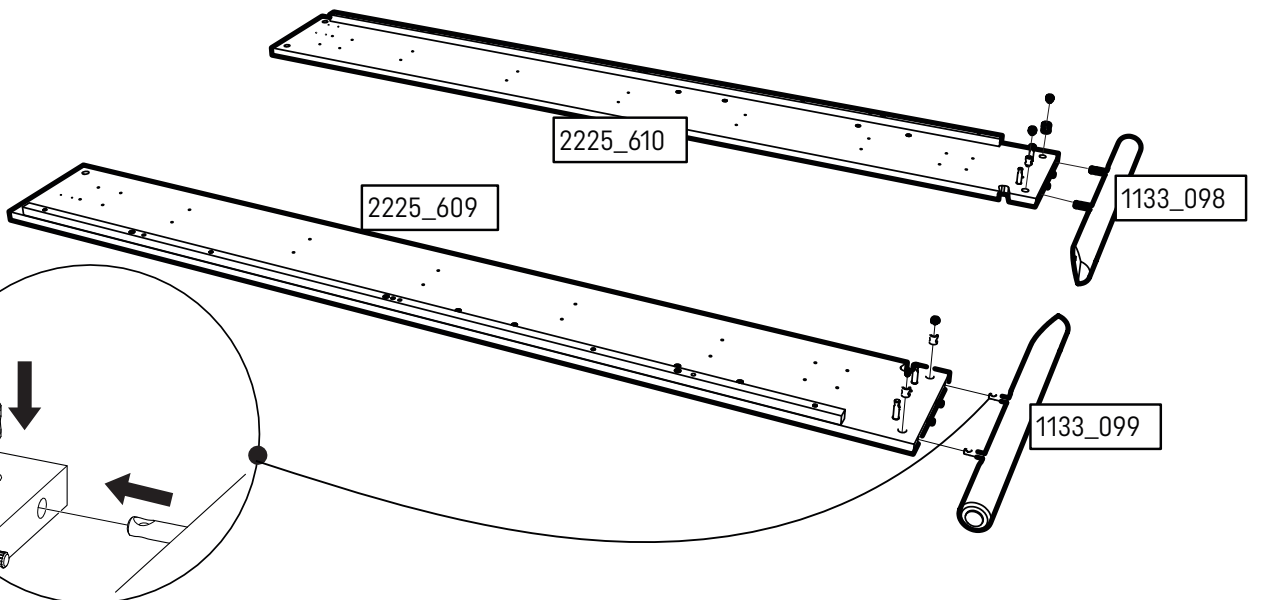
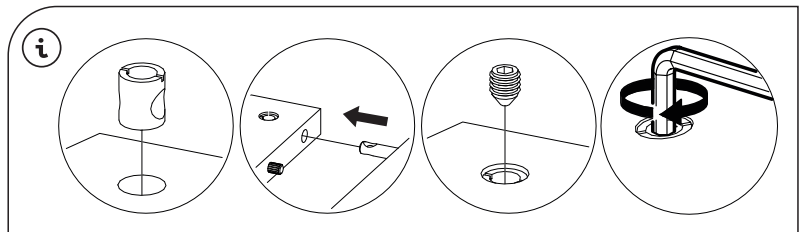
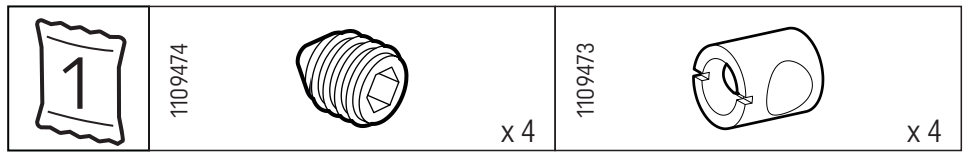
+




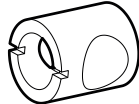
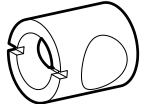
# B ?


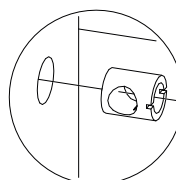
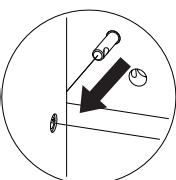
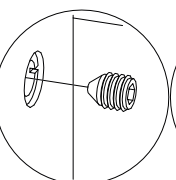
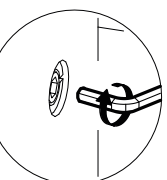


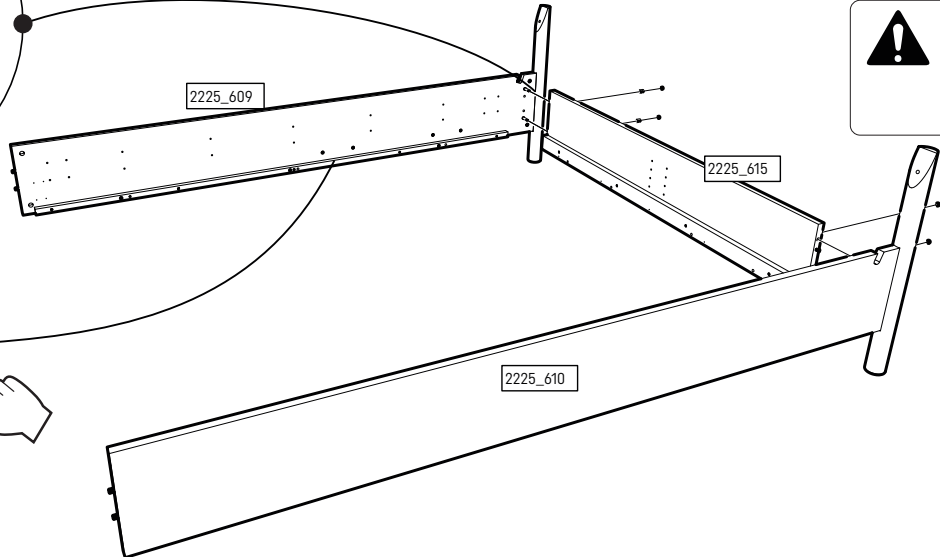
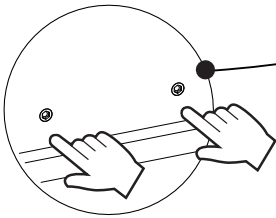
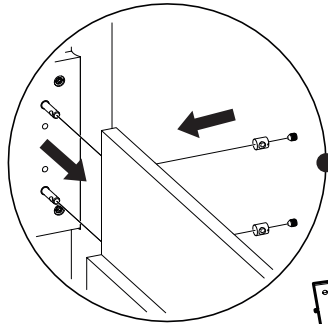
7




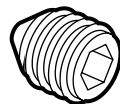
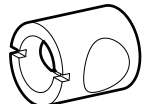
8


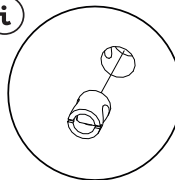
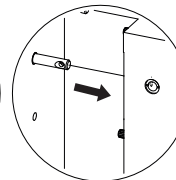
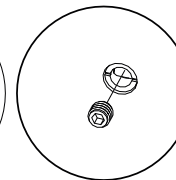
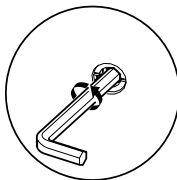
	1109474		x 4	1109473		x 4
---	---------	---	-----	---------	---	-----

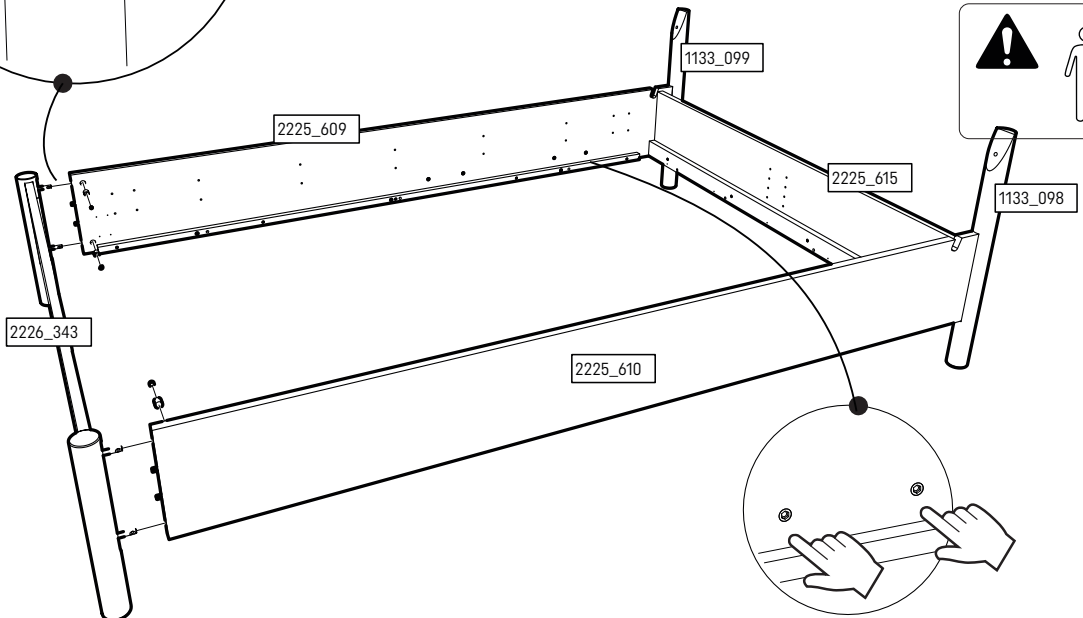
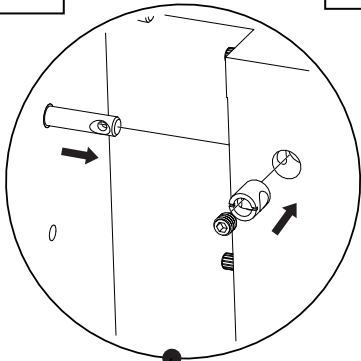
    






9

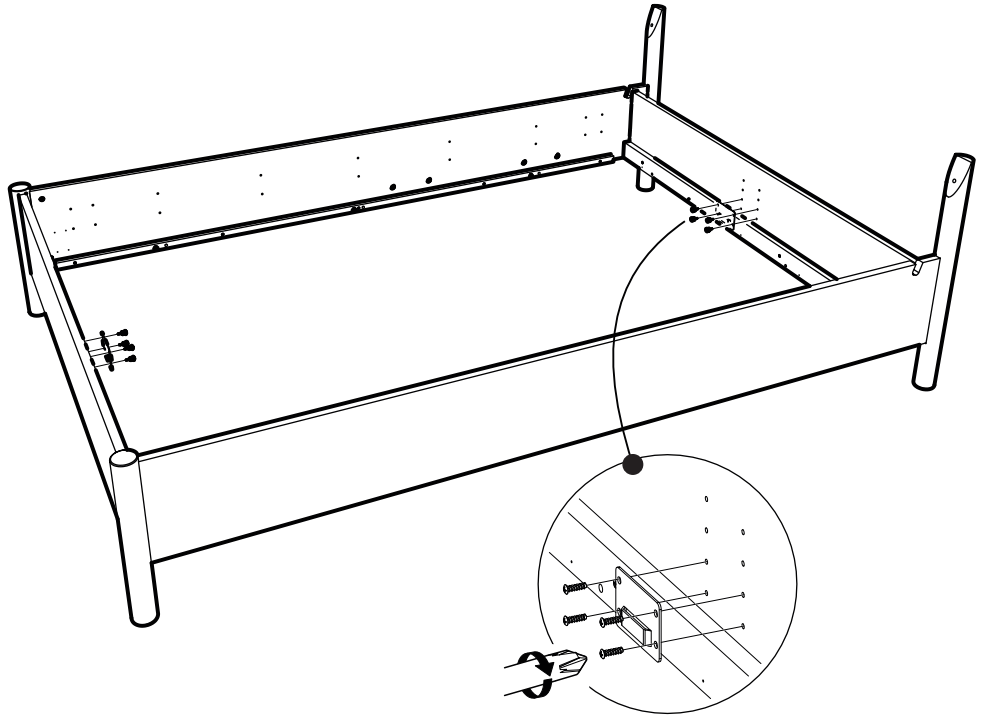
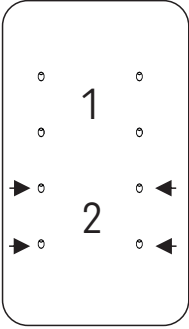
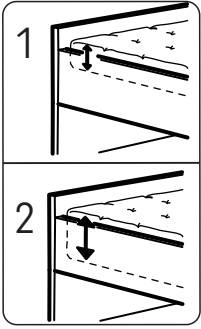
	1109474		x 4	1109473		x 4
---	---------	---	-----	---------	---	-----

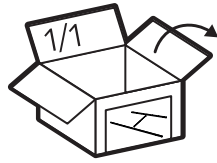


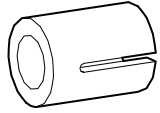
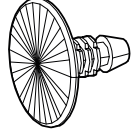
10

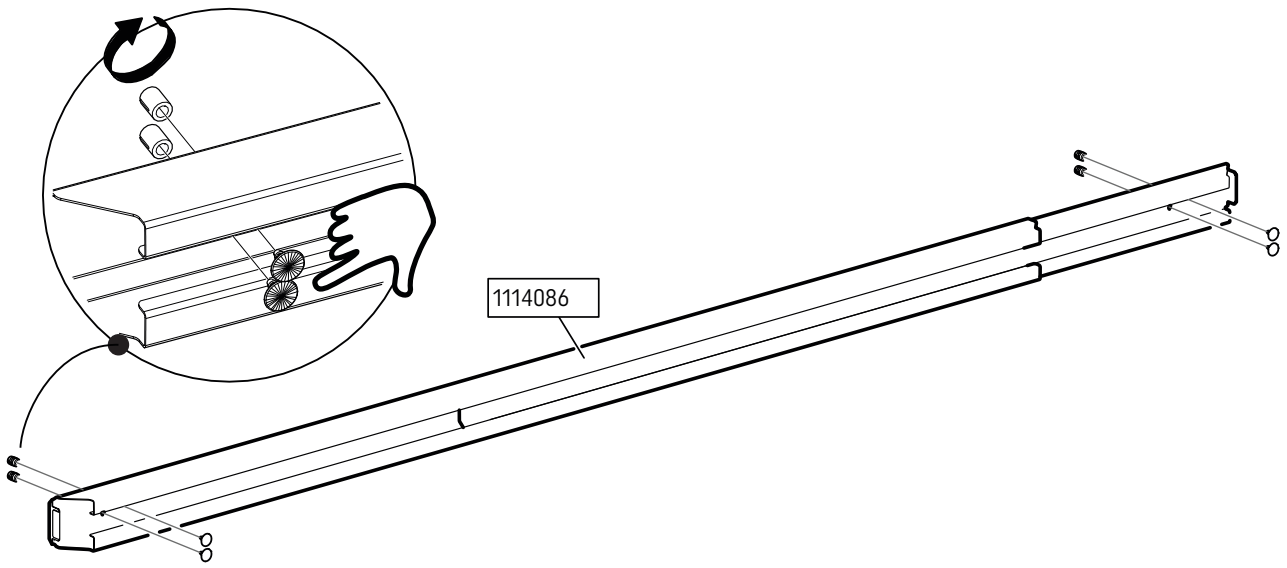
	1005714		x 8	1114087		x 2
---	---------	---	-----	---------	---	-----



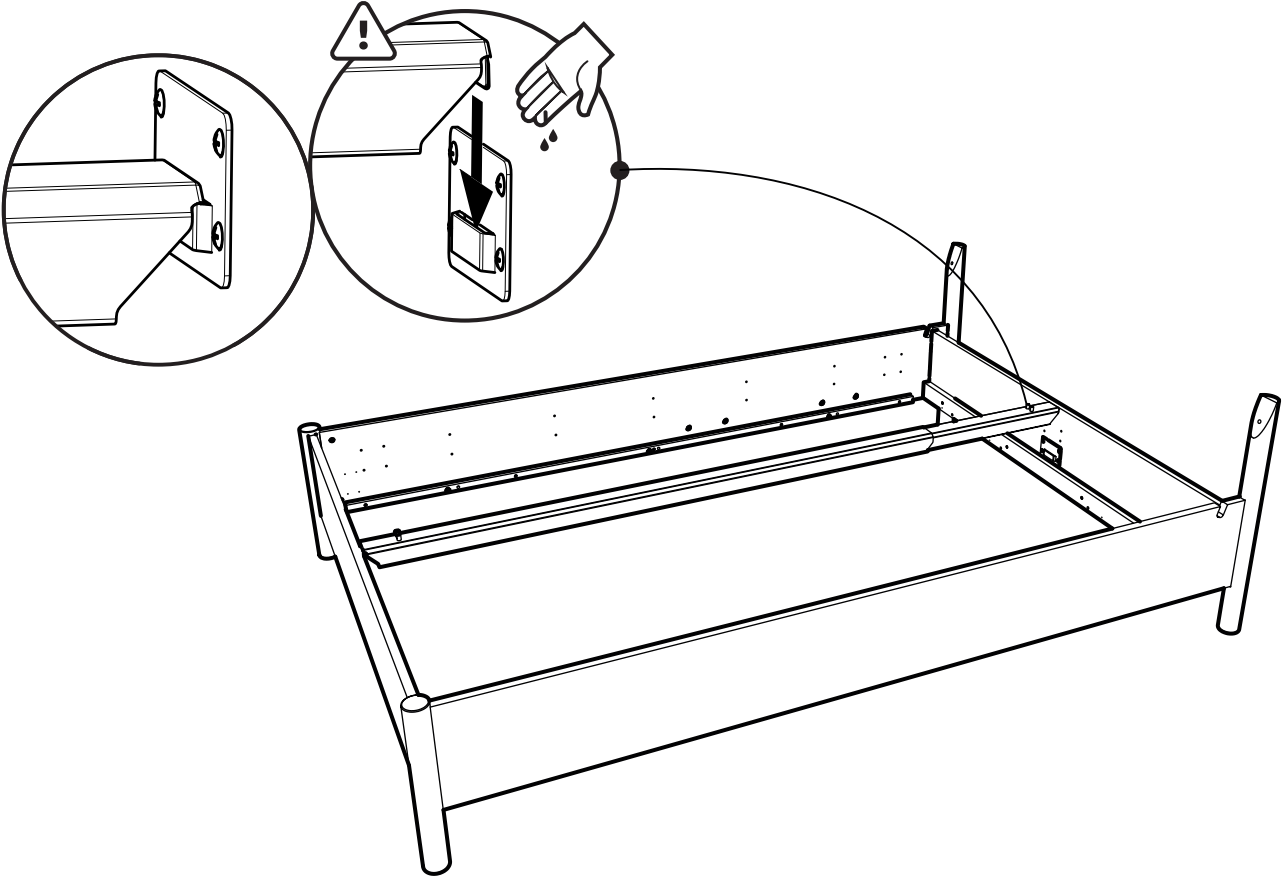
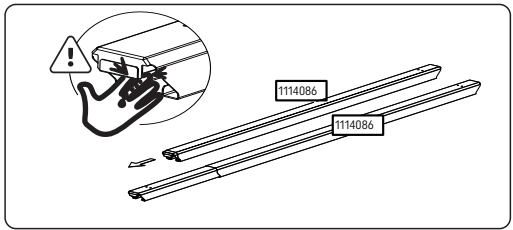
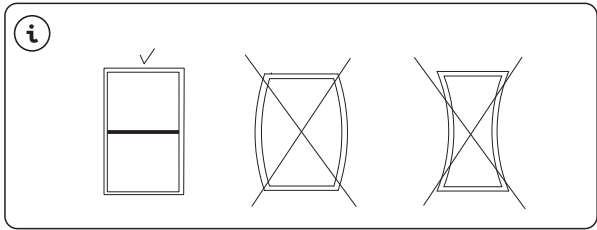
11



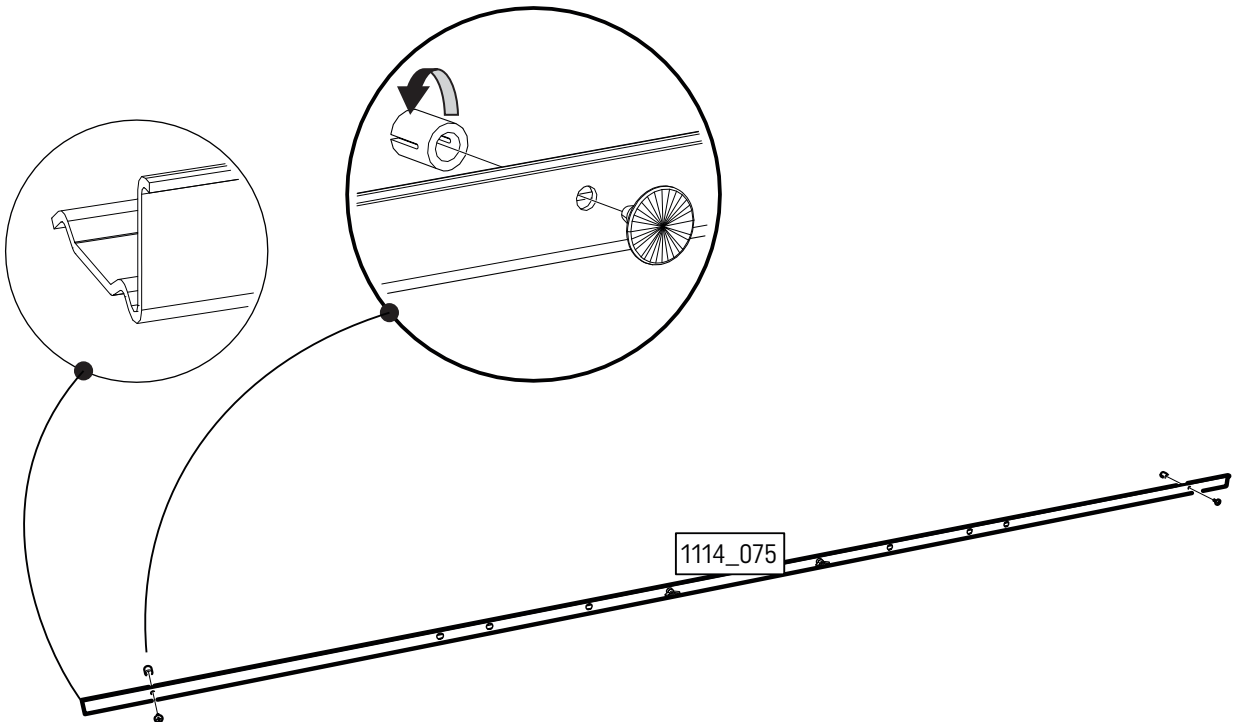
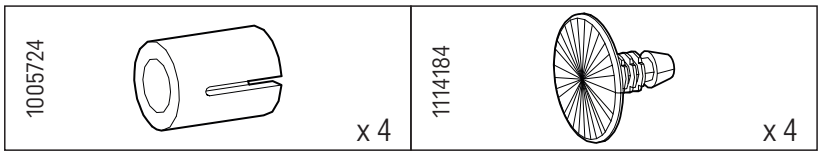
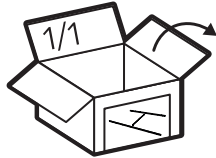
1005724		x 4	1114184		x 4
---------	---	-----	---------	---	-----



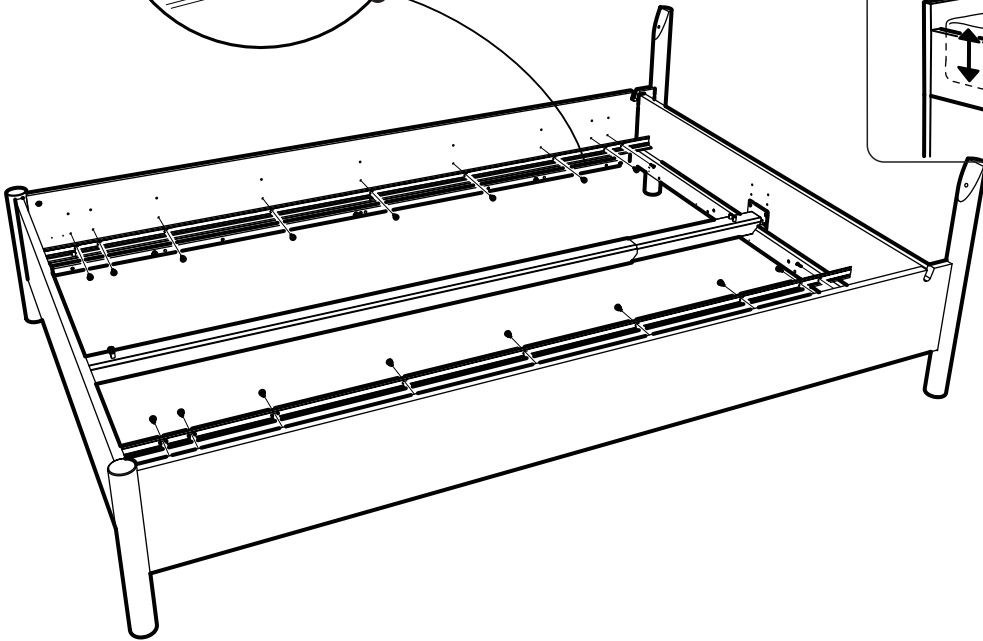
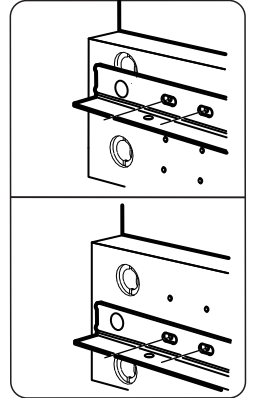
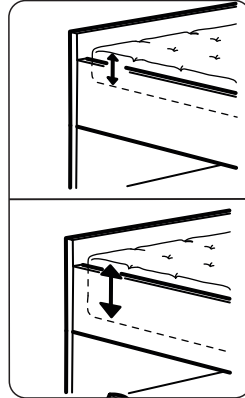
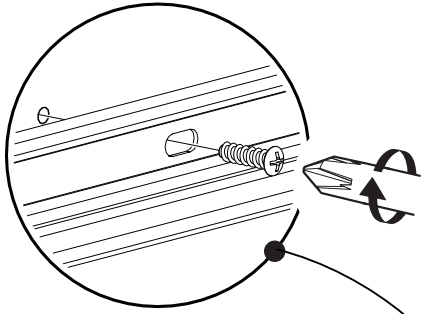
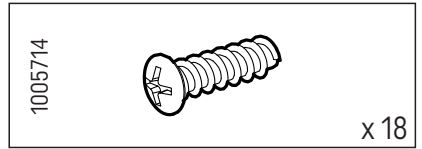
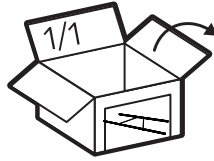
12



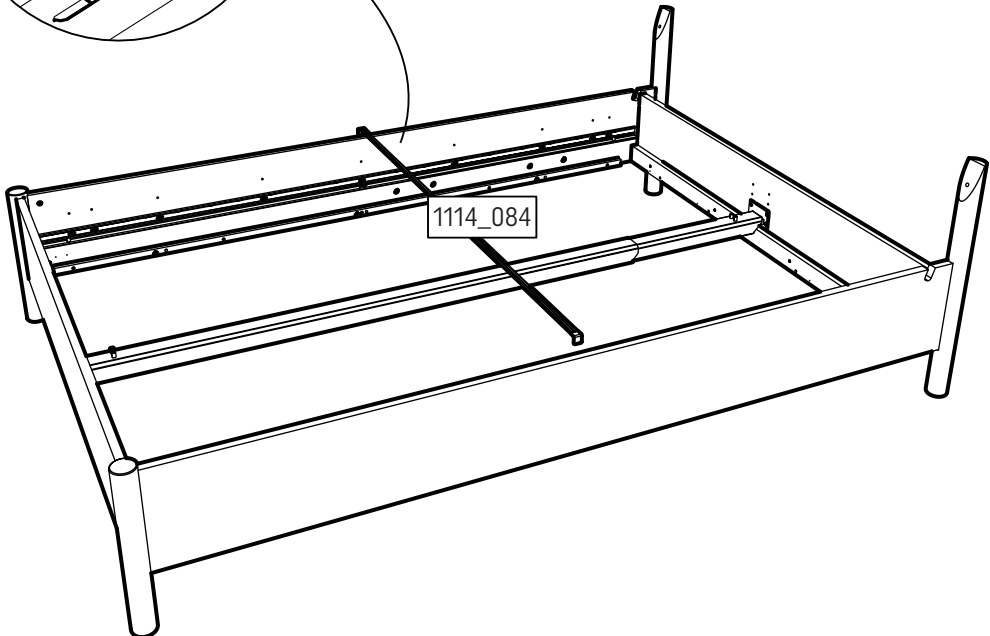
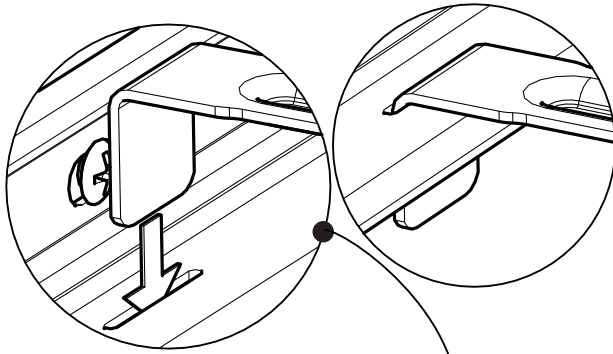
13



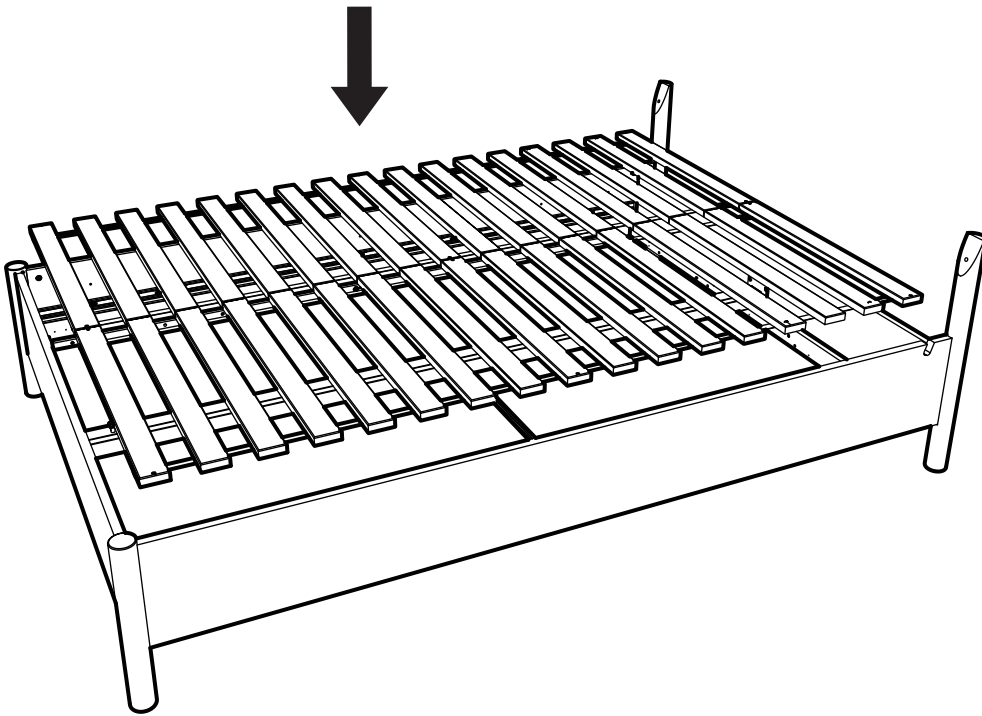
14



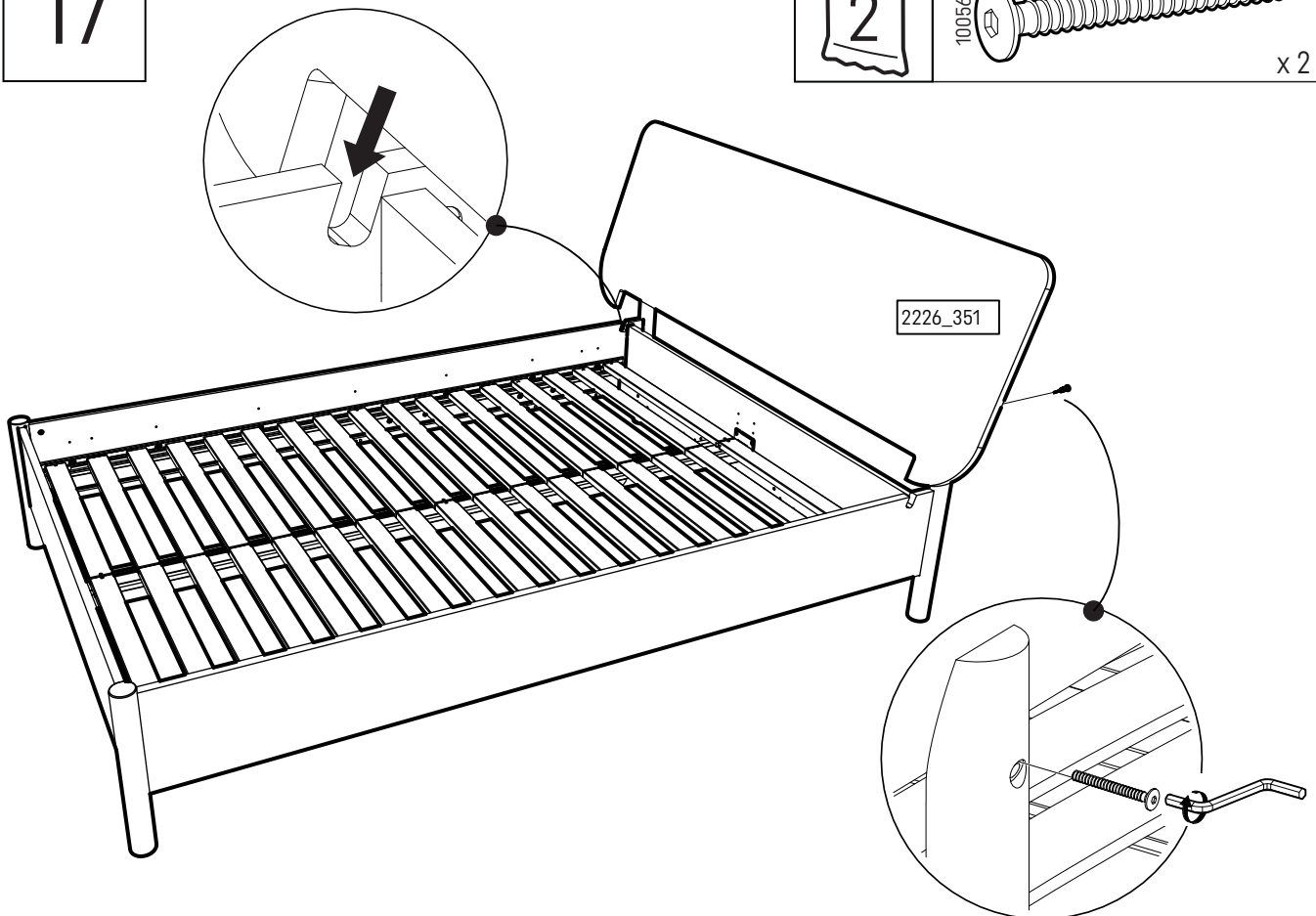
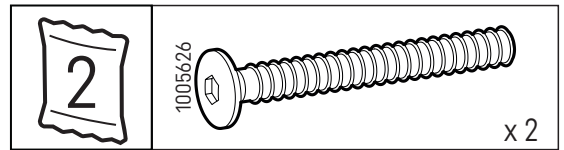
15



16

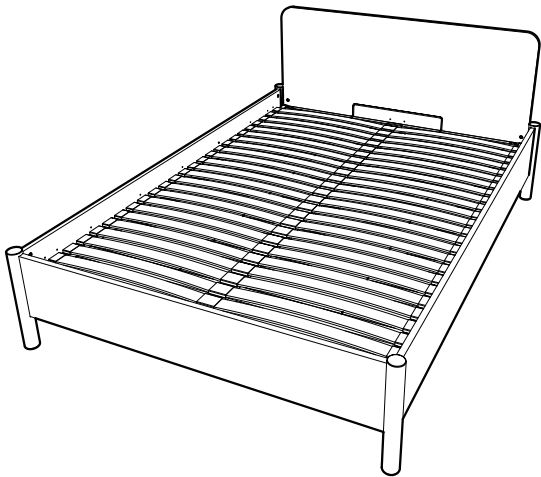


17

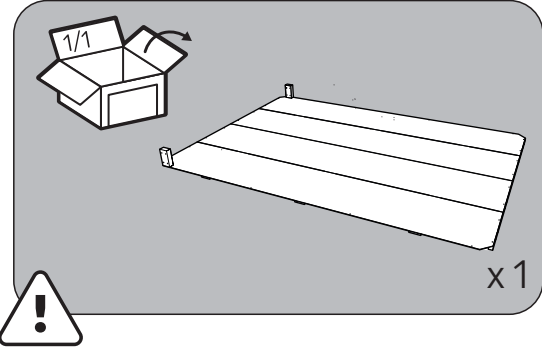
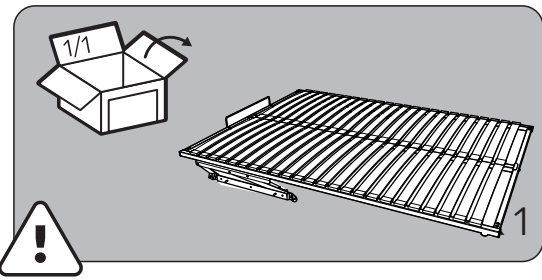




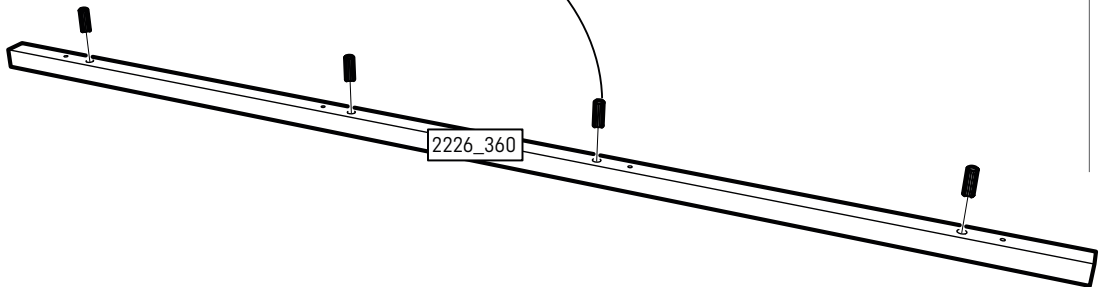
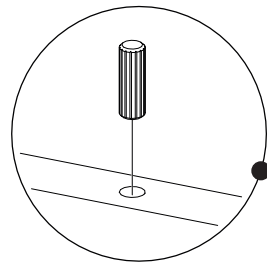
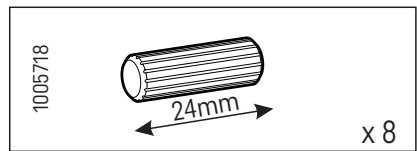
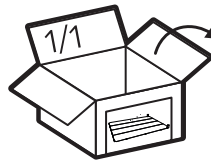
# B ?



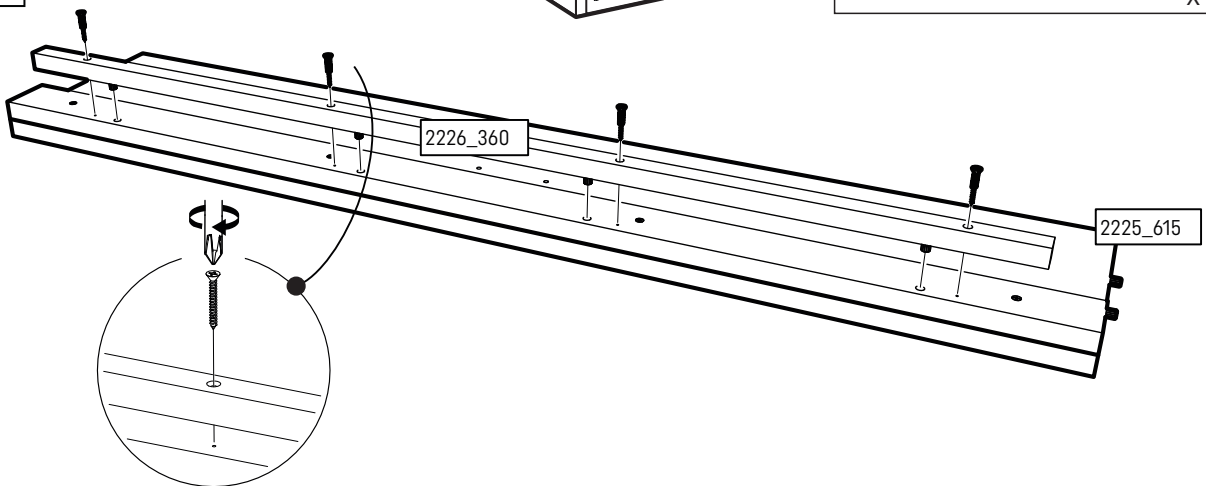
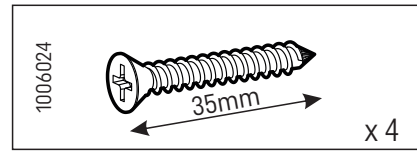
+



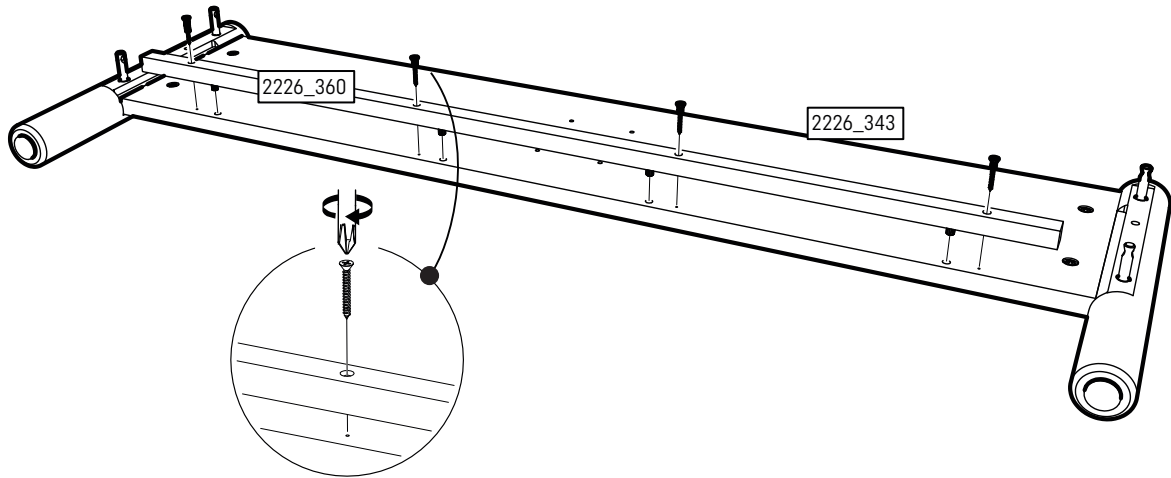
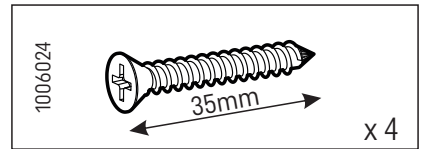
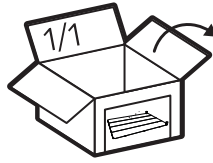
18



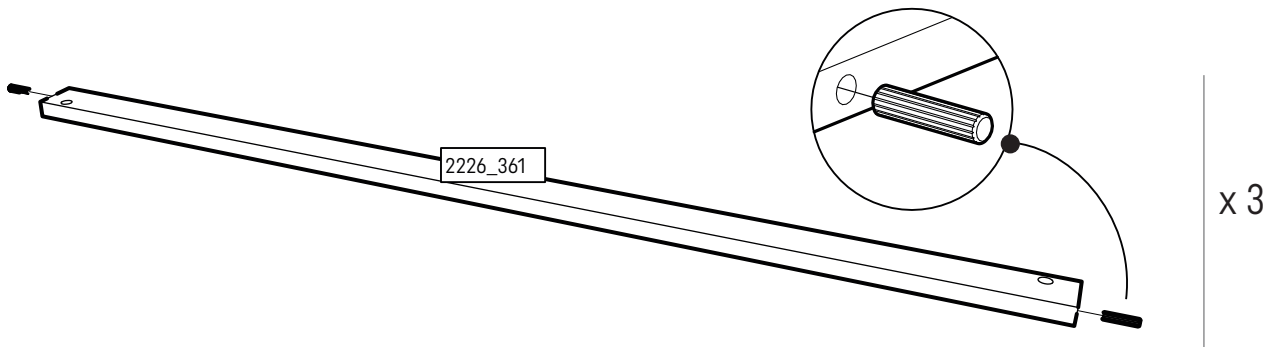
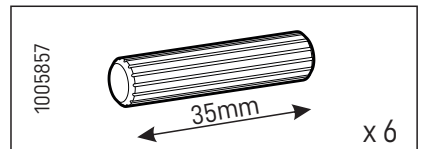
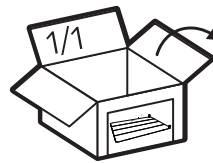
19



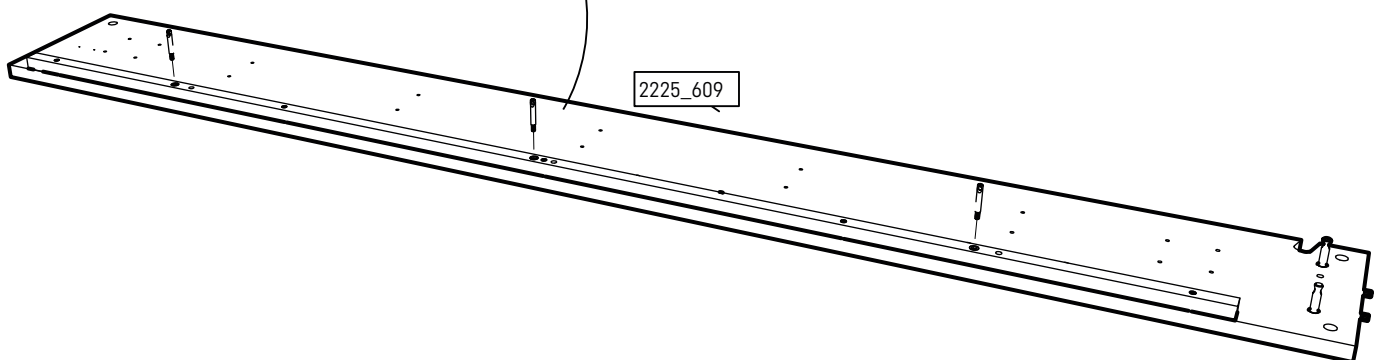
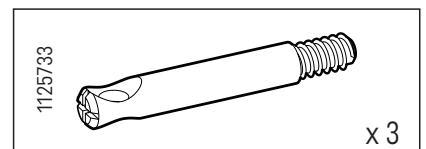
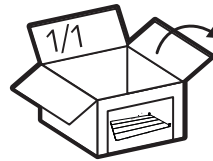
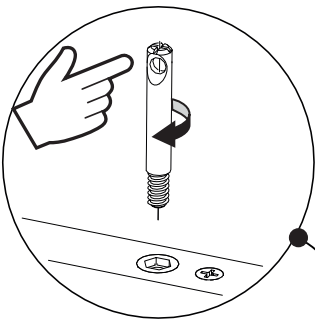
20



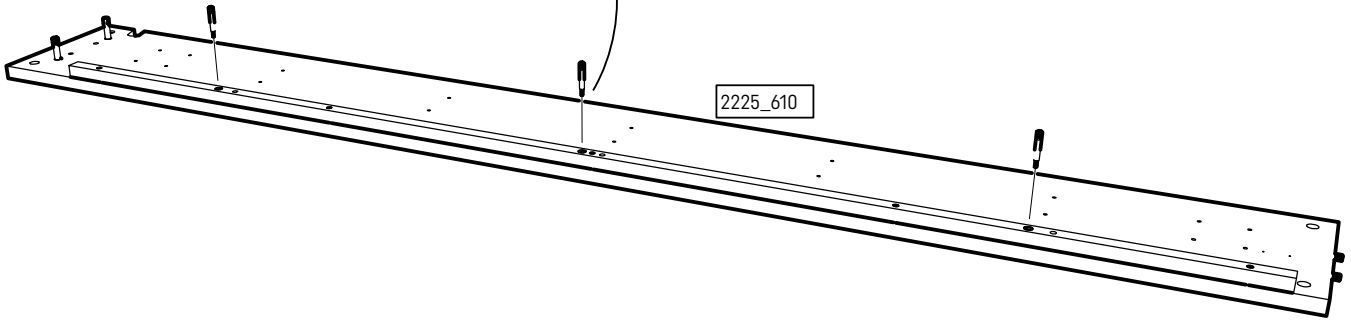
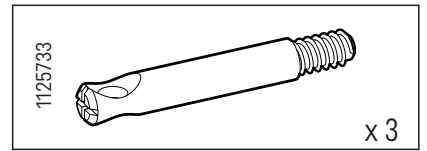
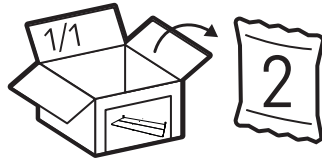
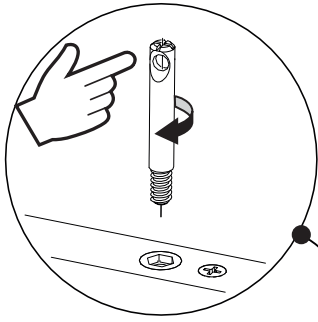
21



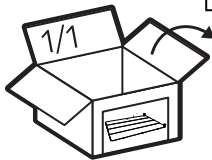
22



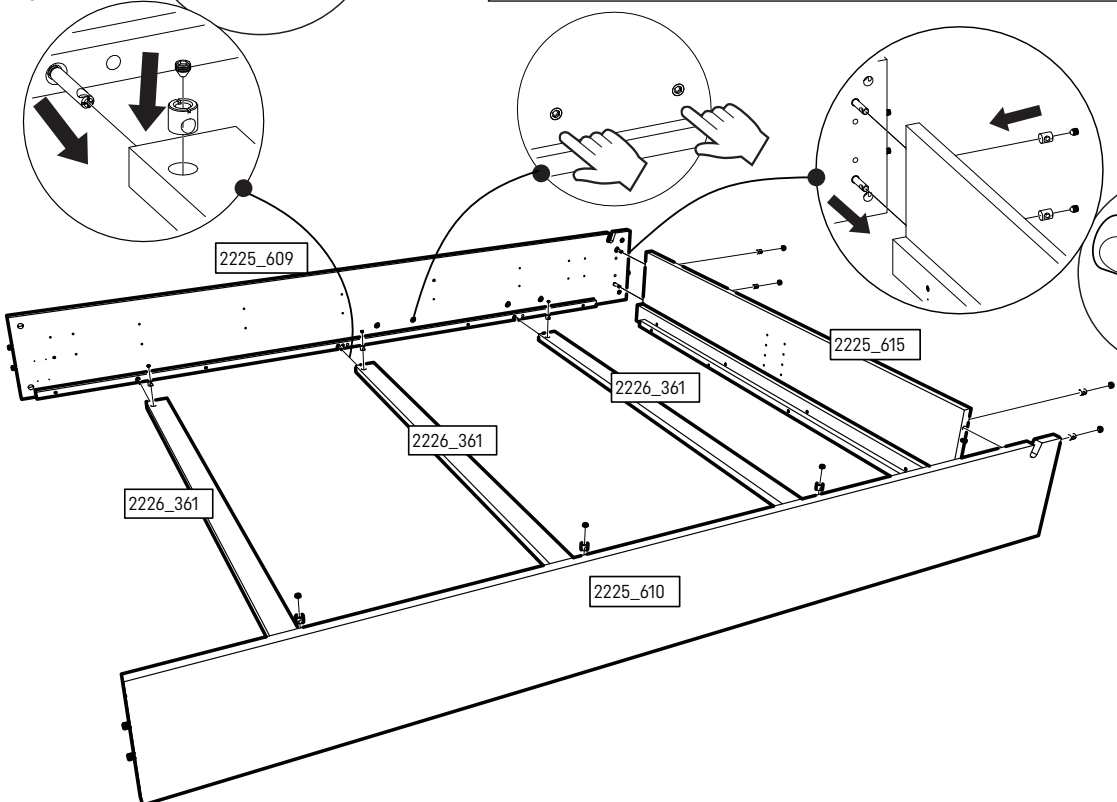
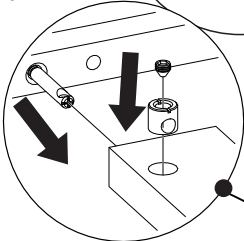
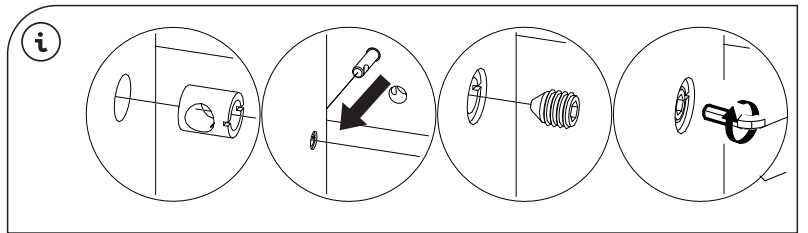
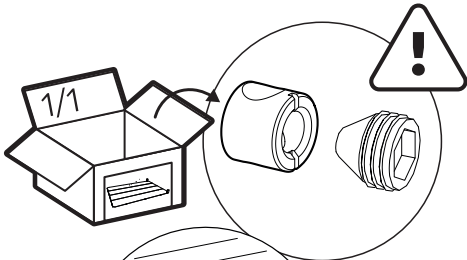
23



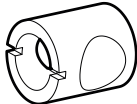
24

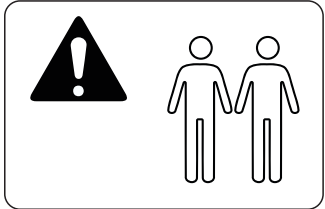
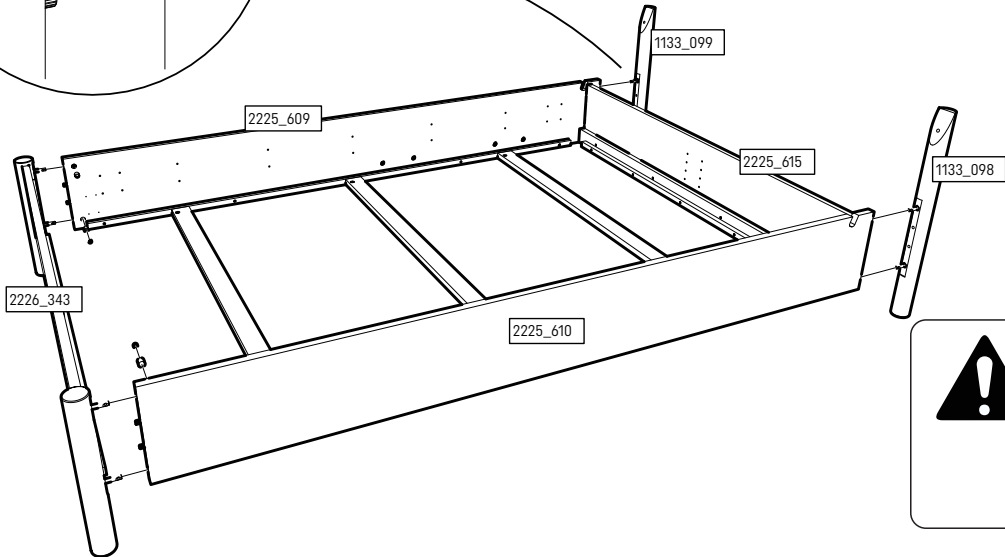
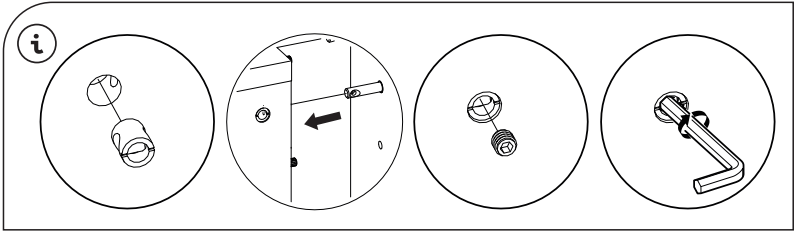
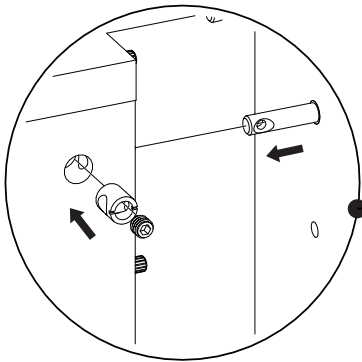


1	1109474	1109473
2	1125731	1125729
	x 4	x 4
	x 6	x 6




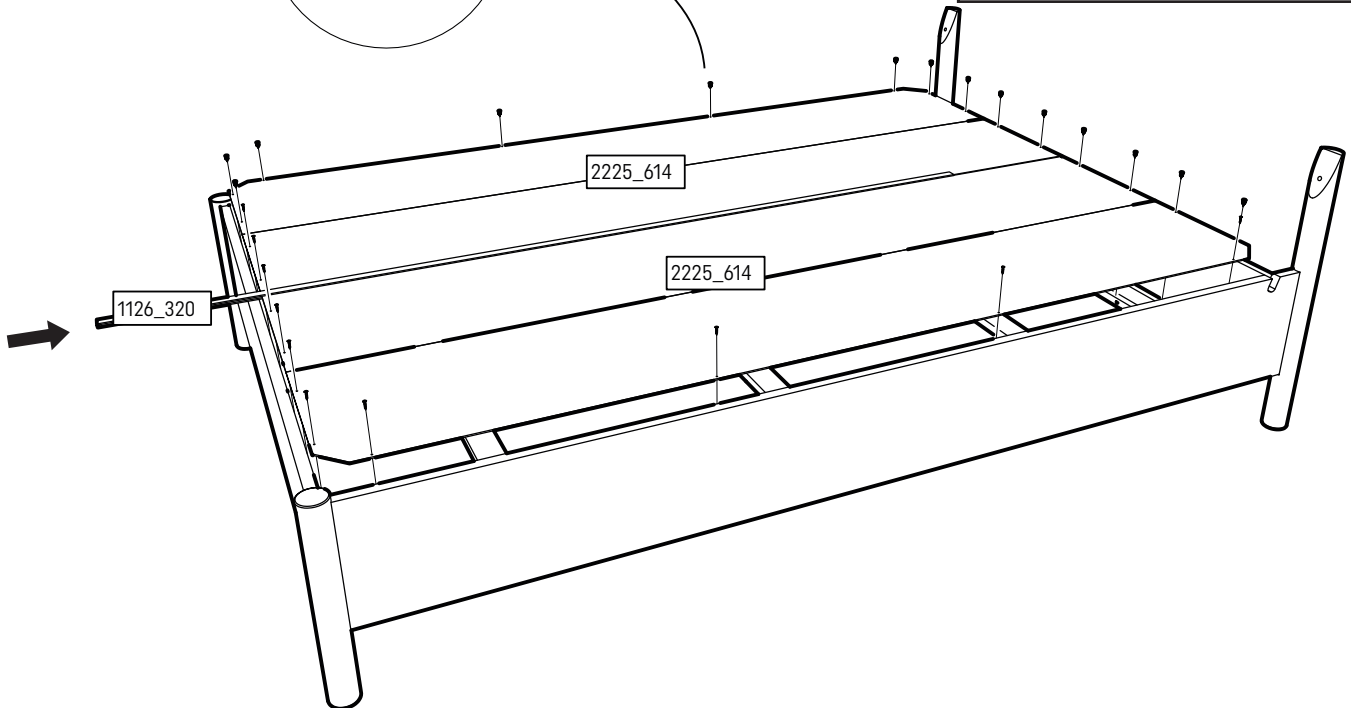
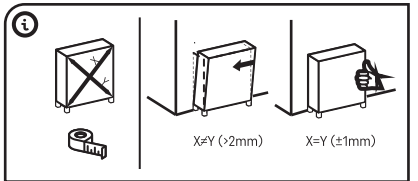
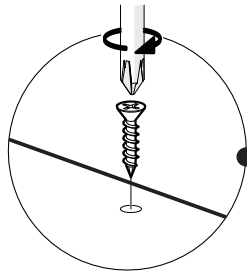
24

1	1109474  x 8	1109473  x 8
---	---	---

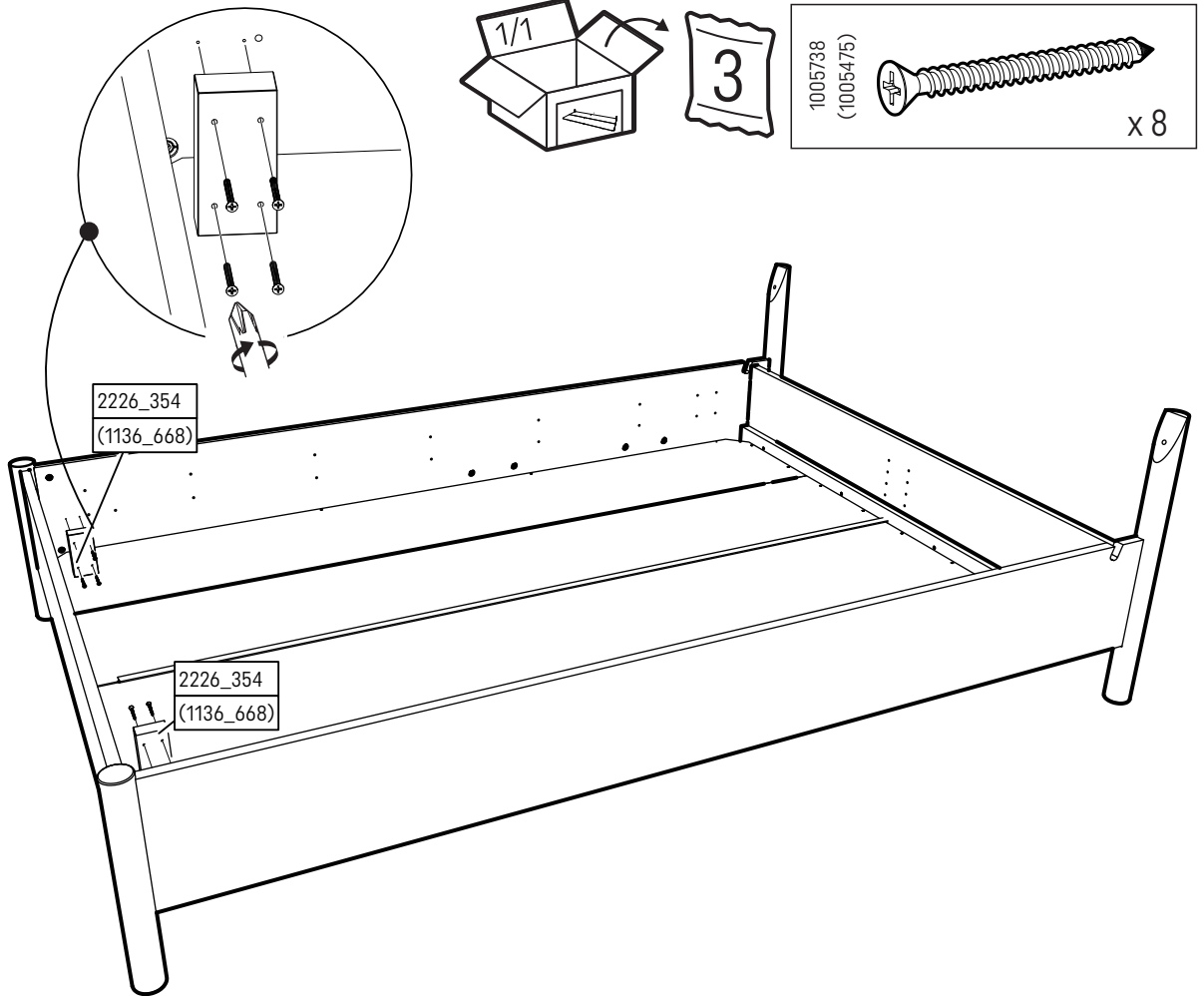


25

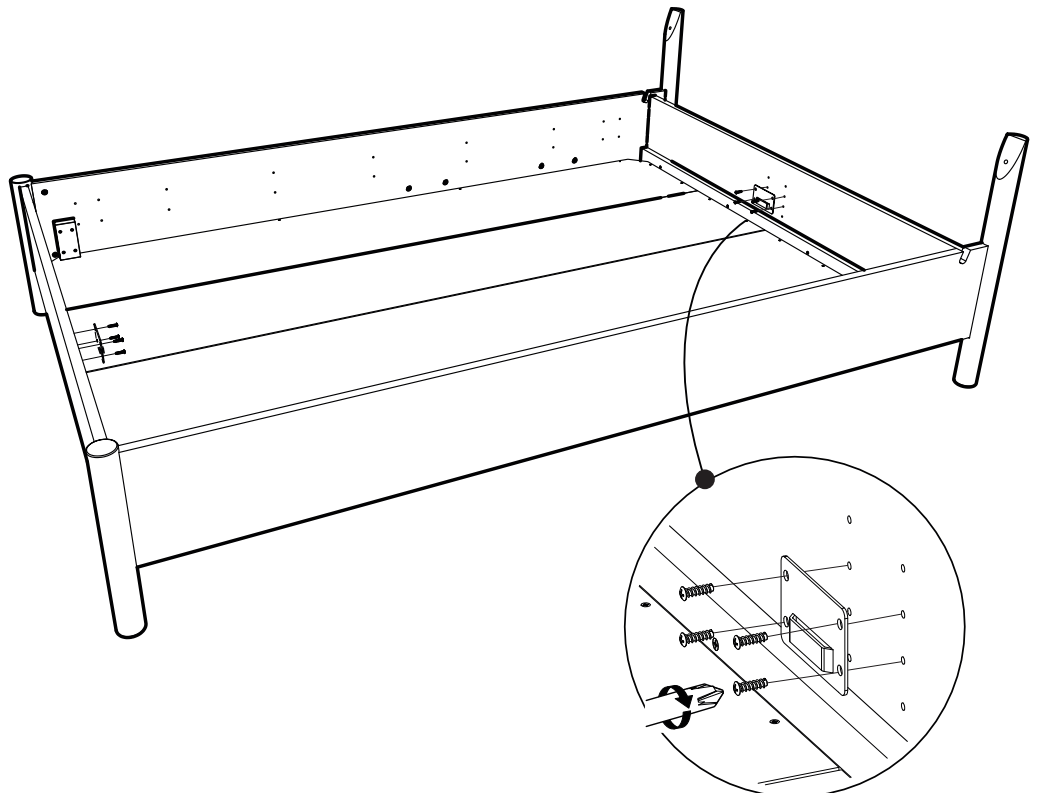
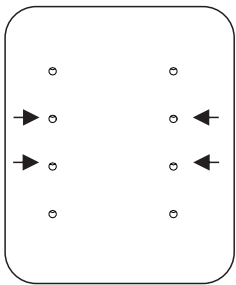
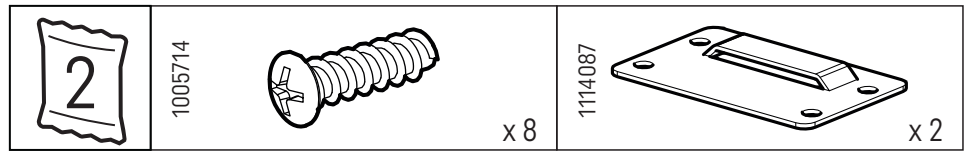
1/1	2	1006012  x 24
-----	---	--



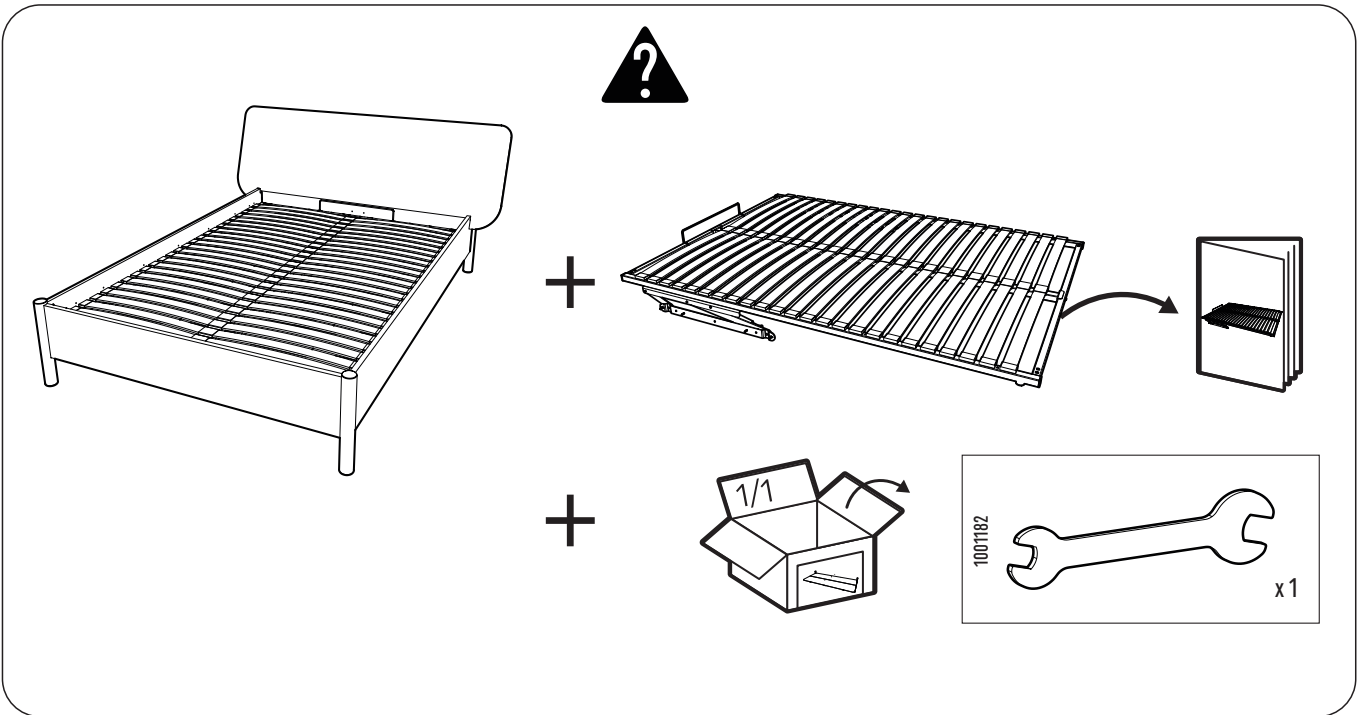
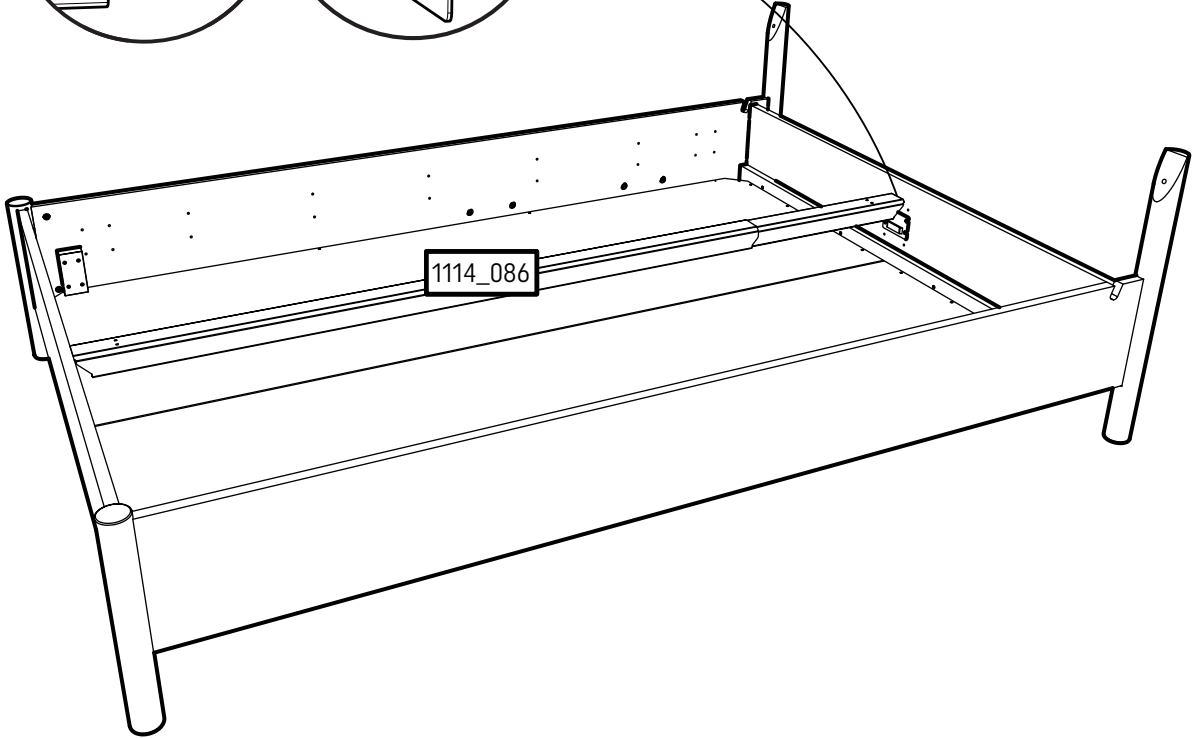
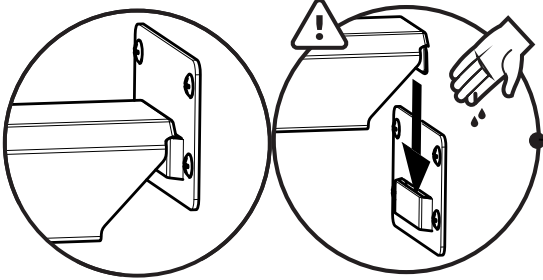
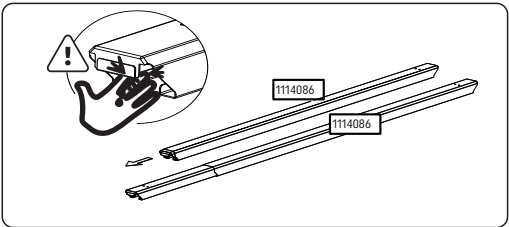
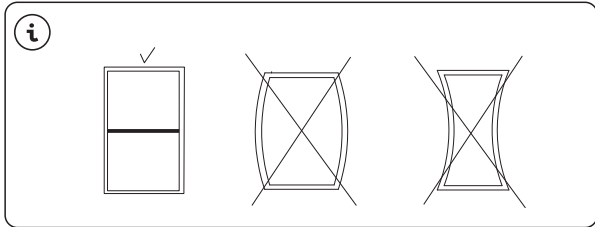
26



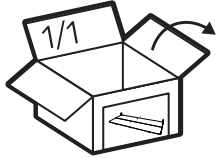
27



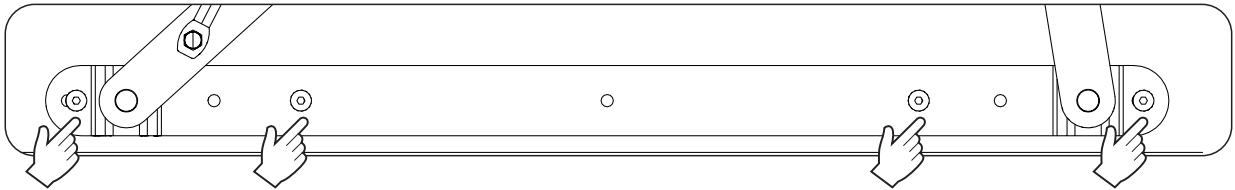
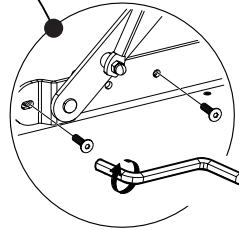
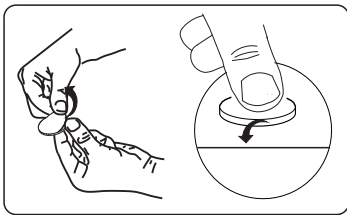
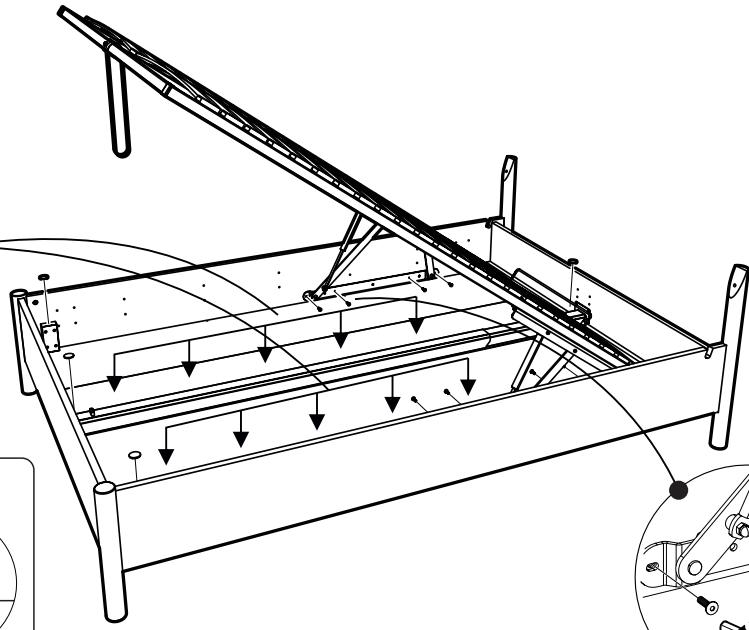
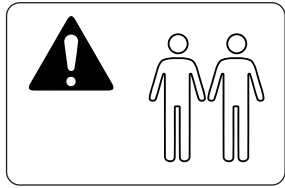
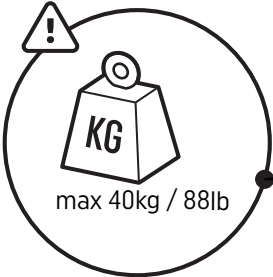
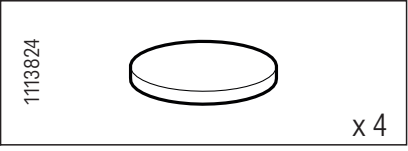
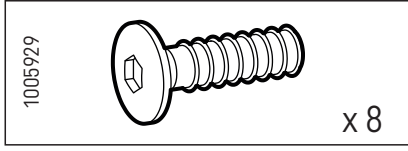
28



29



3



30

2

