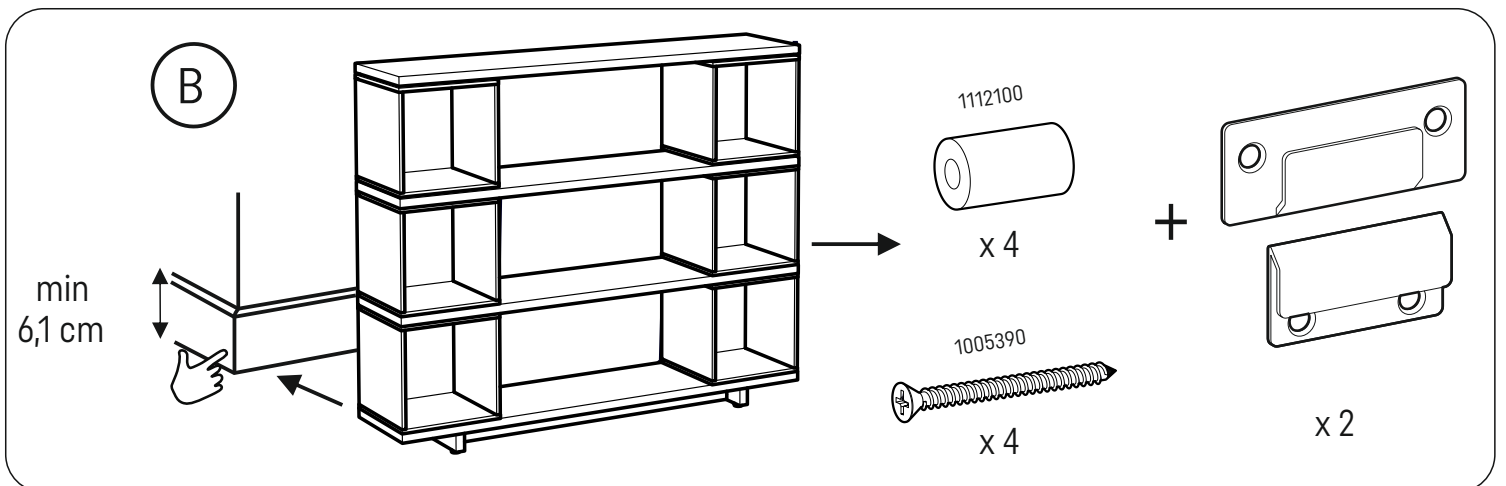
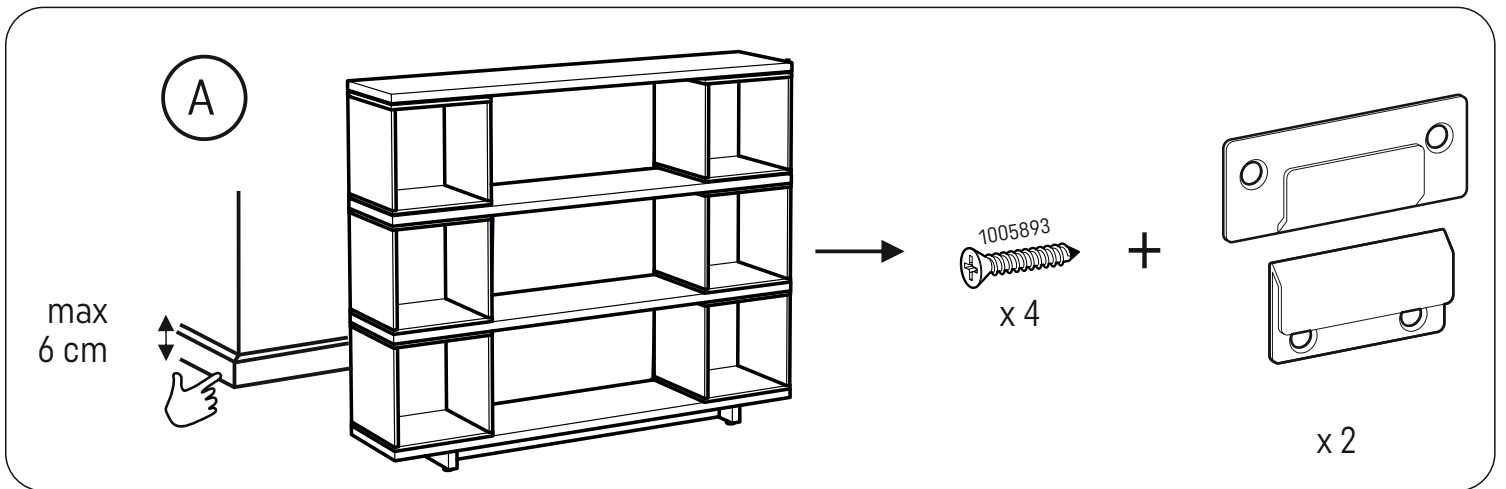
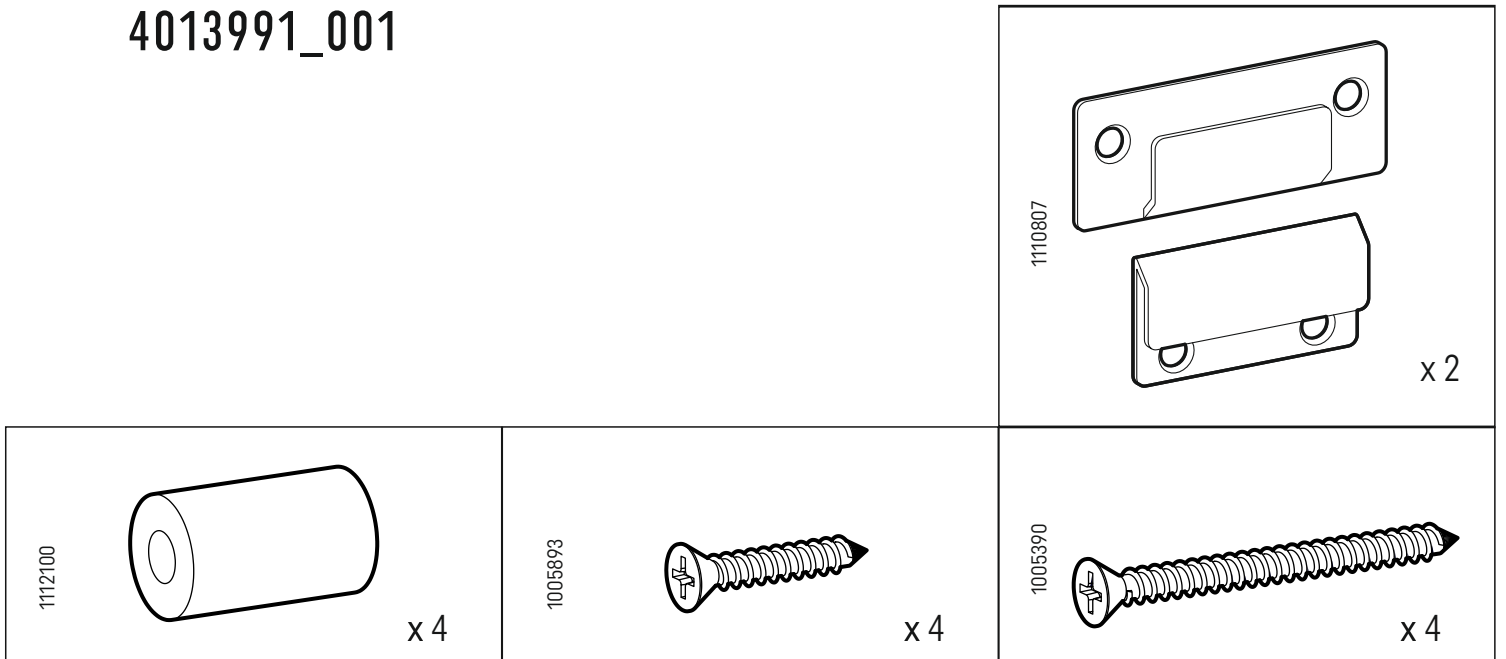
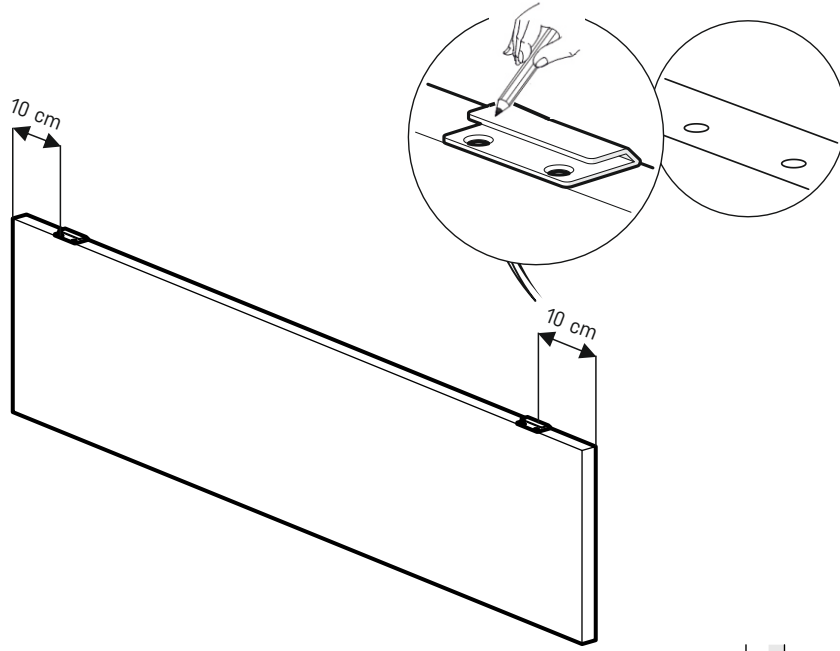


Balance

4013991_001



1



2

