
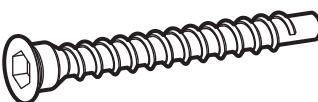




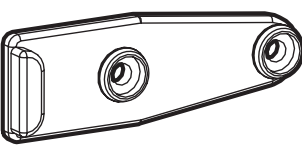
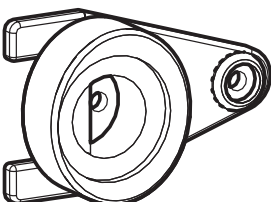
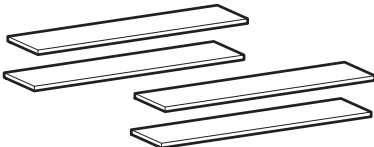

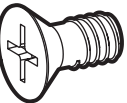
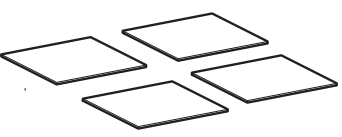
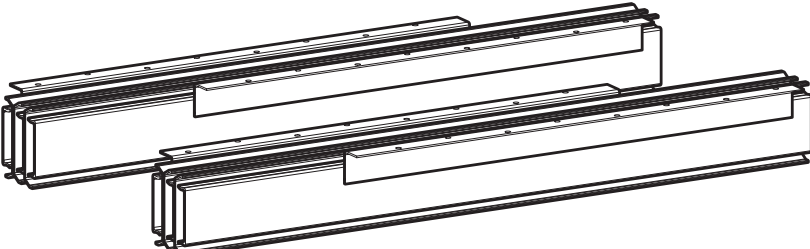
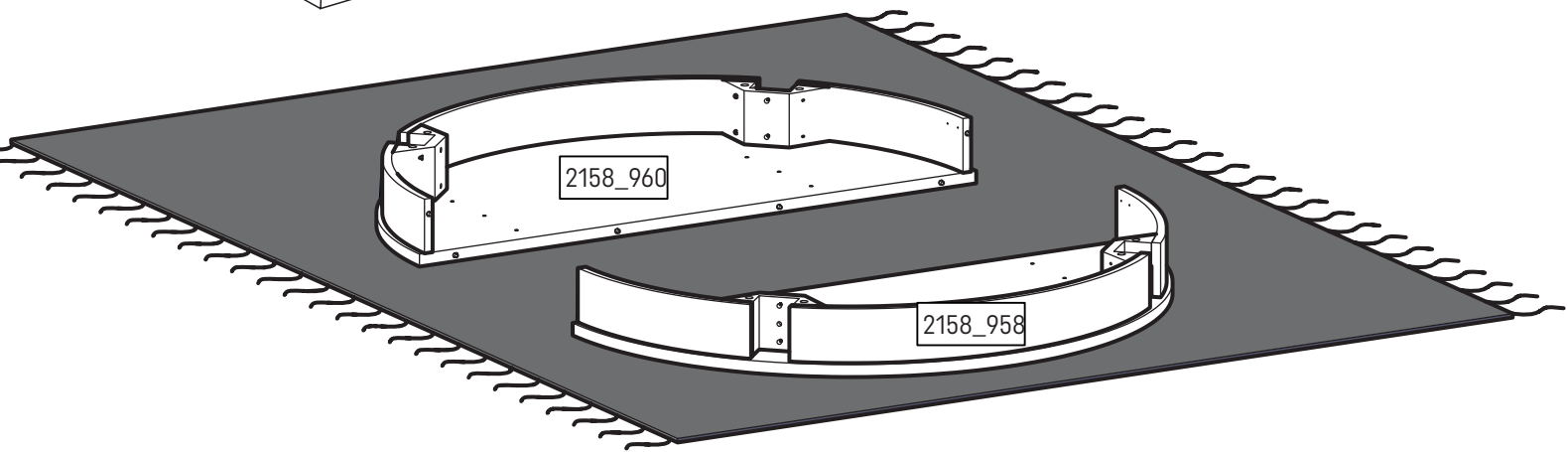
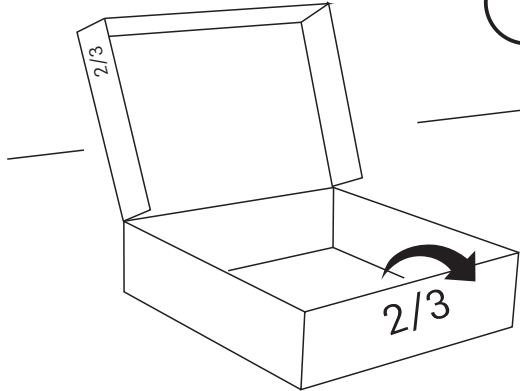
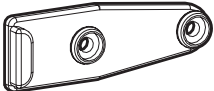
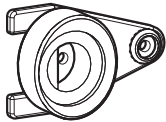



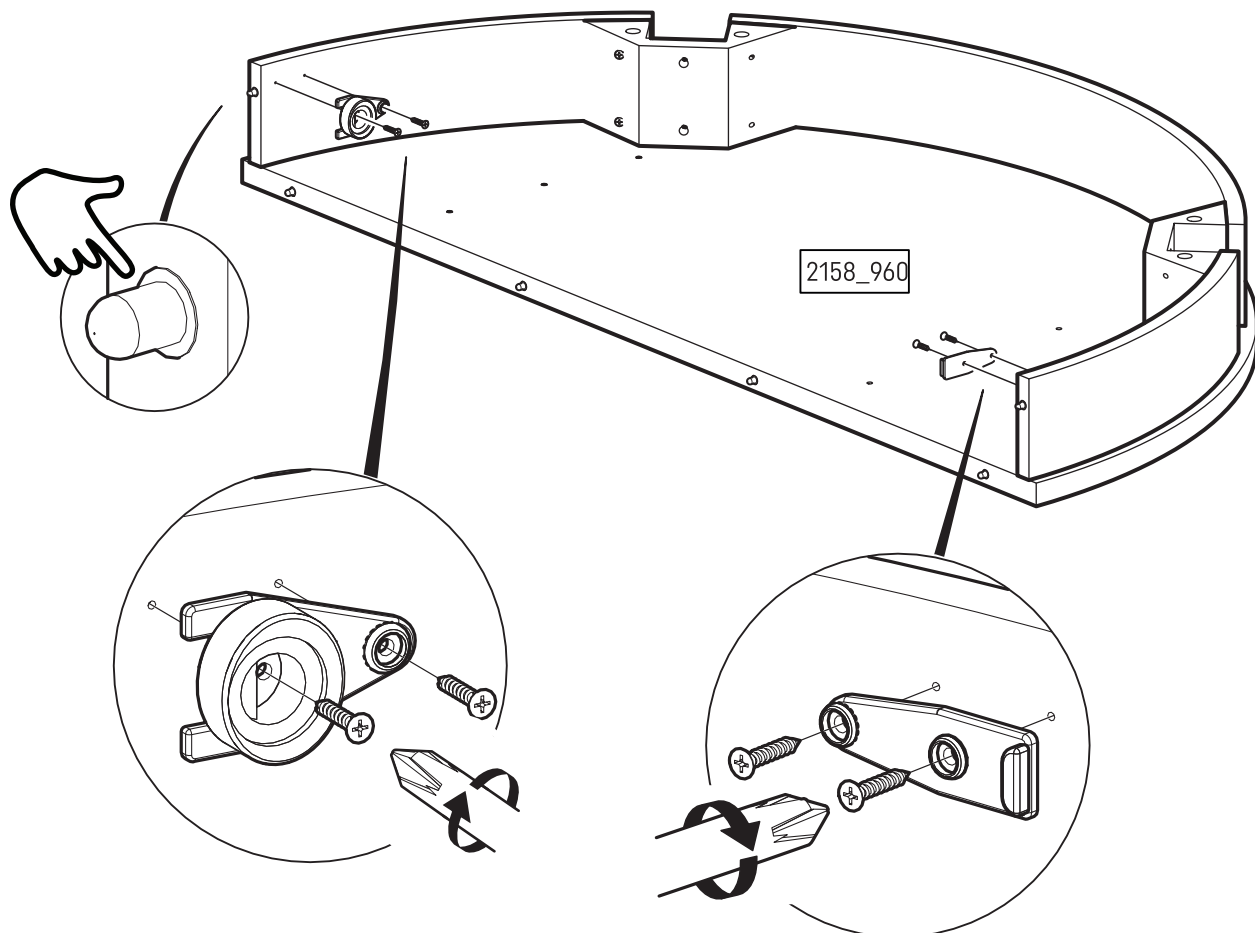
<p>1000806</p>  <p>x 1</p>	<p>1005876</p>  <p>x 8</p>	<p>1005857</p>  <p>x 4</p>
<p>1005457</p>  <p>x 20</p>	<p>1110244</p>  <p>x 4</p>	<p>1006136</p>  <p>x 8</p>
<p>1114926</p>  <p>x 2</p>	<p>1114924</p>  <p>x 2</p>	<p>1004801</p>  <p>x 1</p>
<p>1114955</p>  <p>x 2</p>	<p>1115237</p>  <p>x 8</p>	<p>1000065</p>  <p>x 1</p>
<p>1114964</p>  <p>x 1</p>		

i



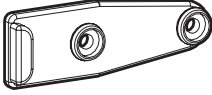
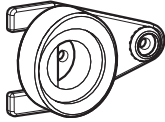

1

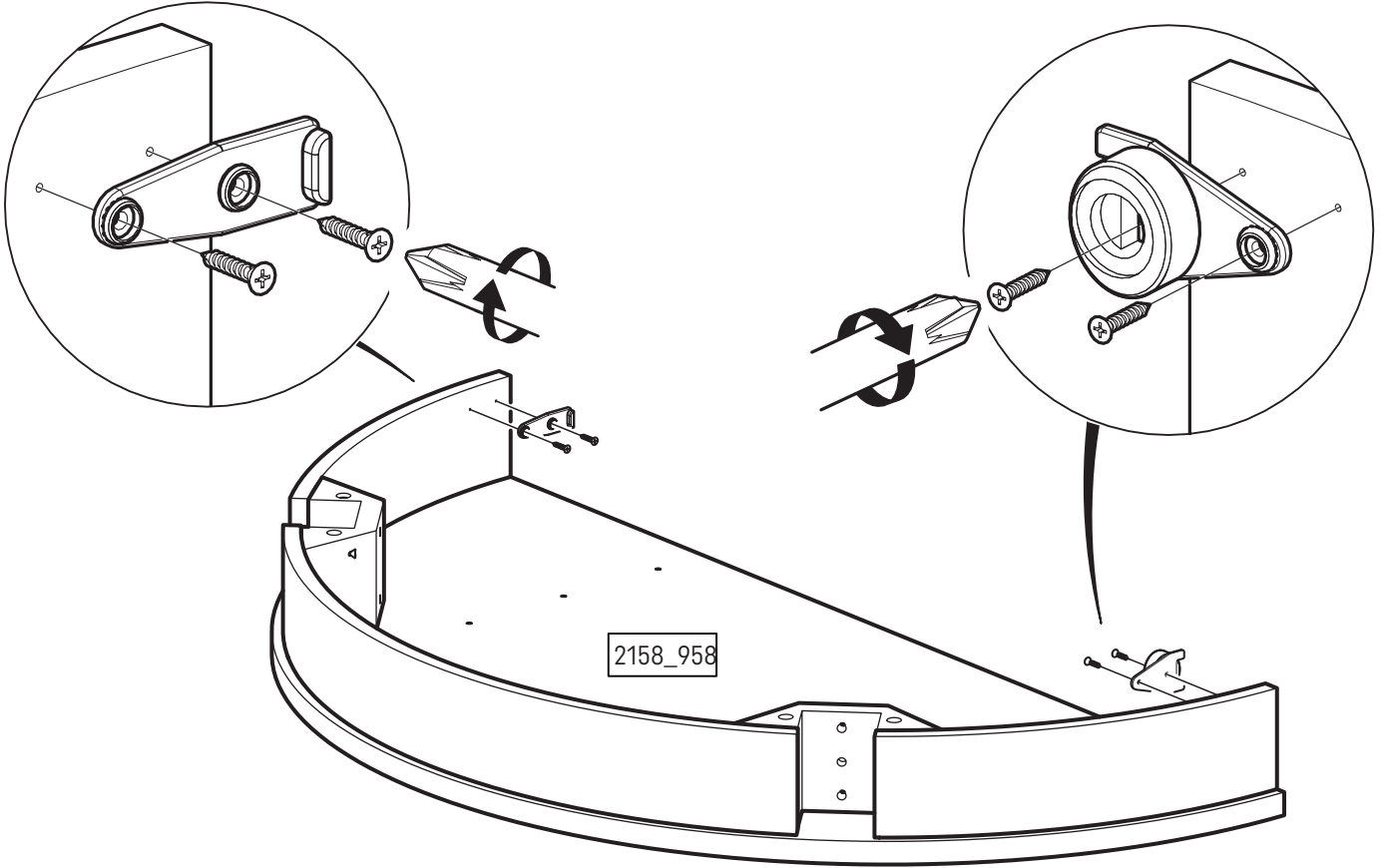
1114926		x 1	1114924		x 1	1006136		x 4
---------	---	-----	---------	--	-----	---------	---	-----



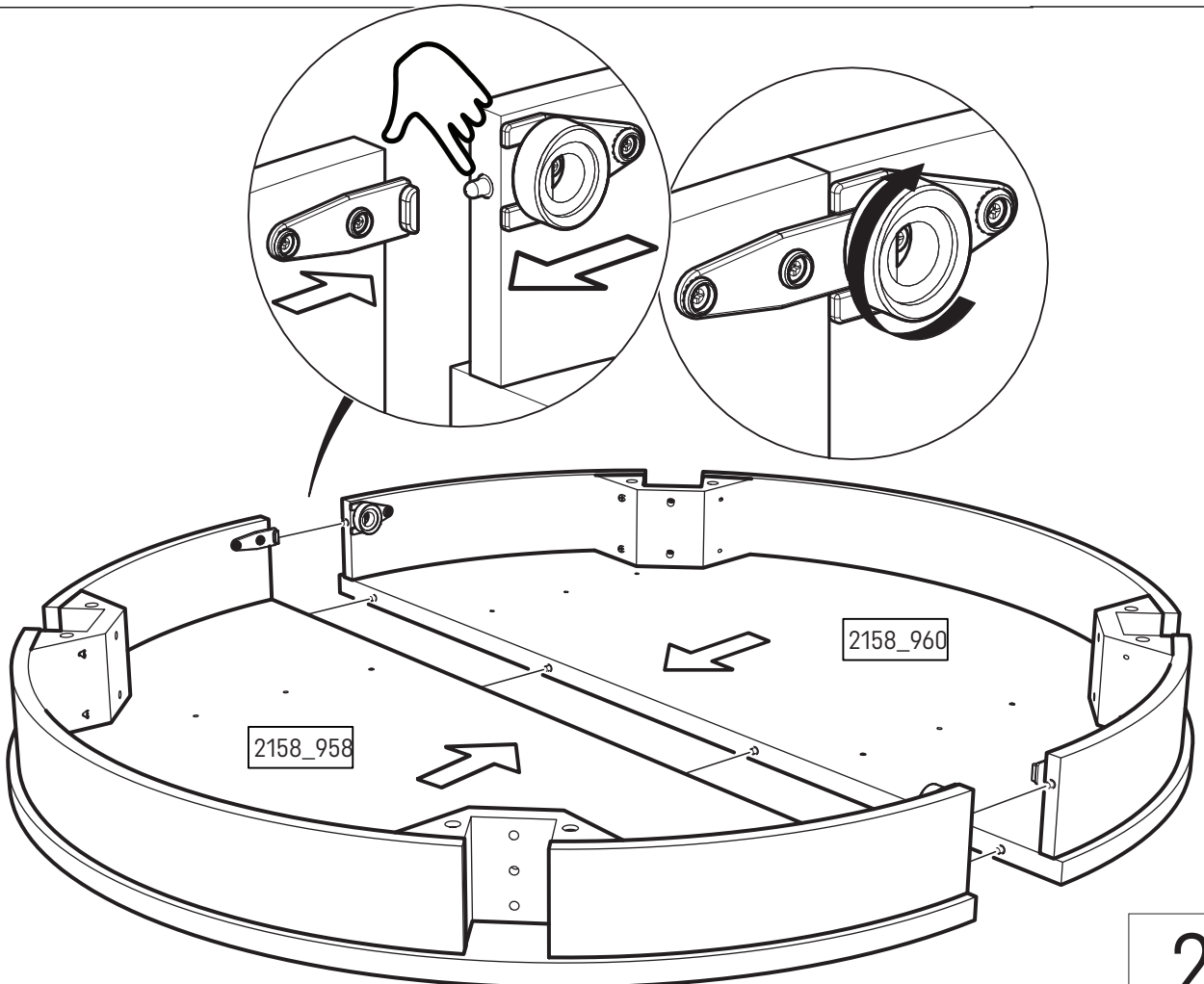
1

2

1114926		x1	1114924		x1	1006136		x4
---------	--	----	---------	---	----	---------	--	----

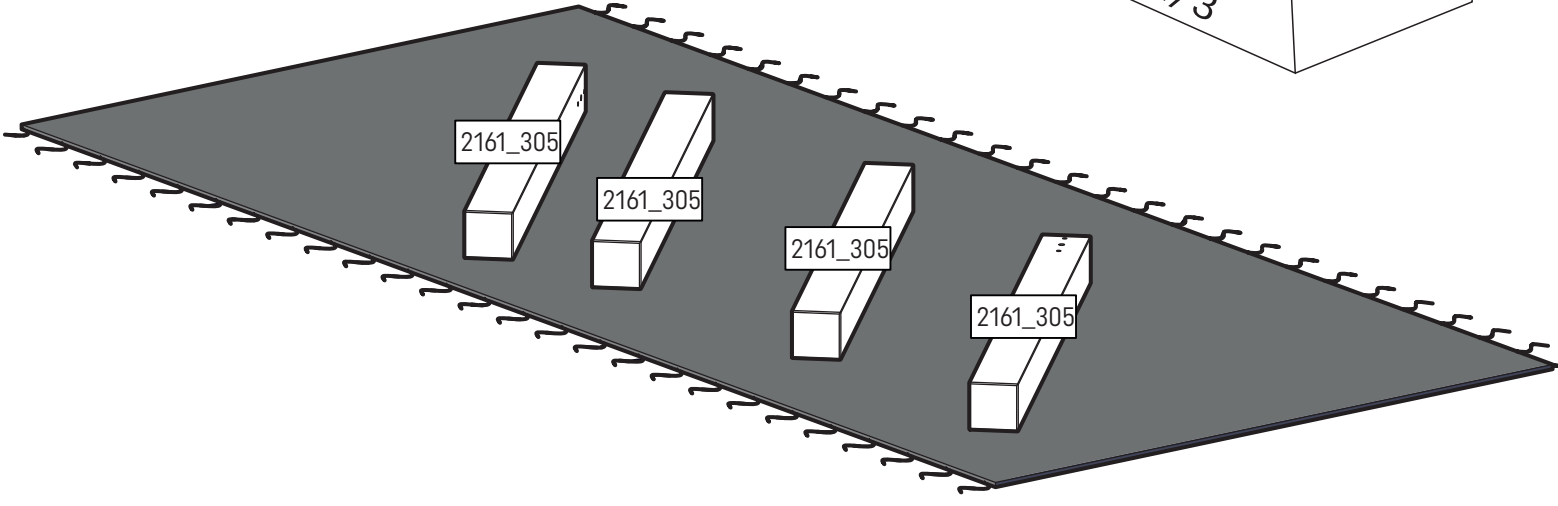
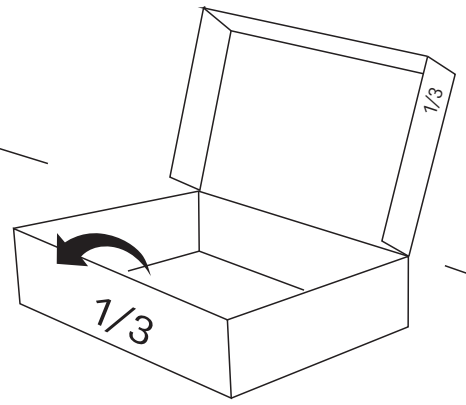


3

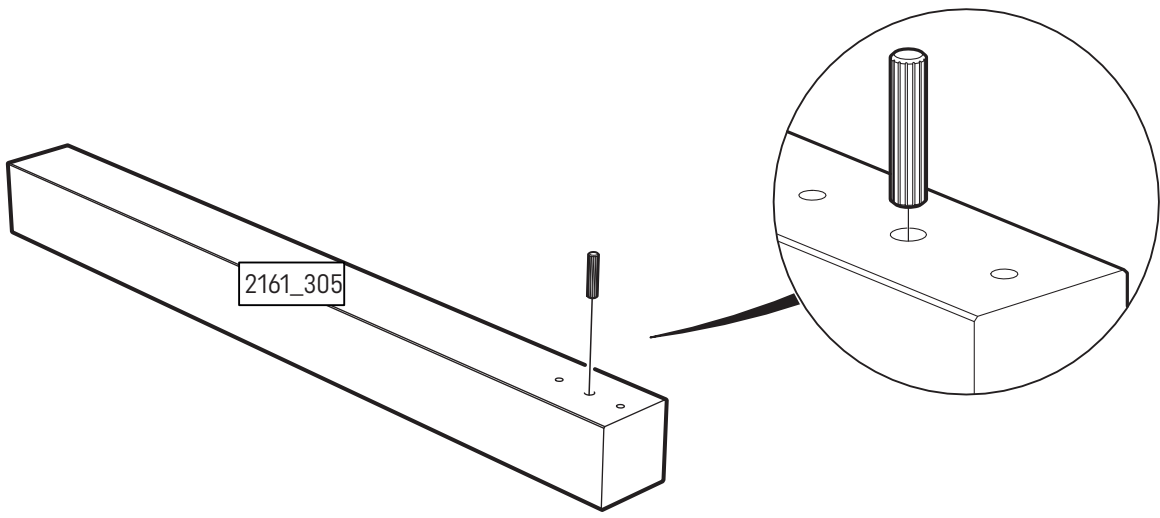
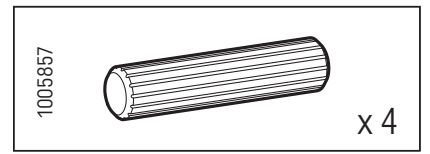


2

i

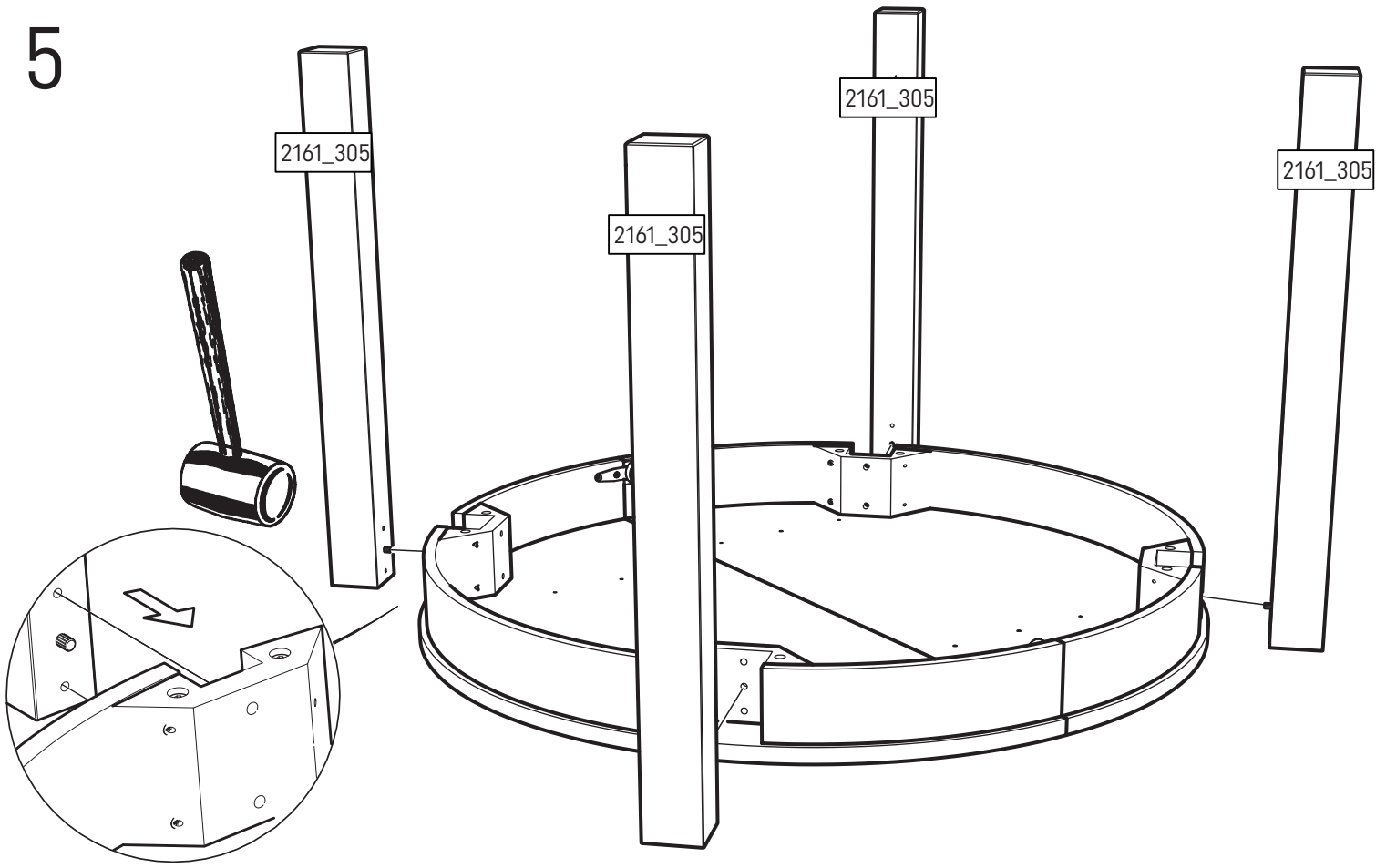


4

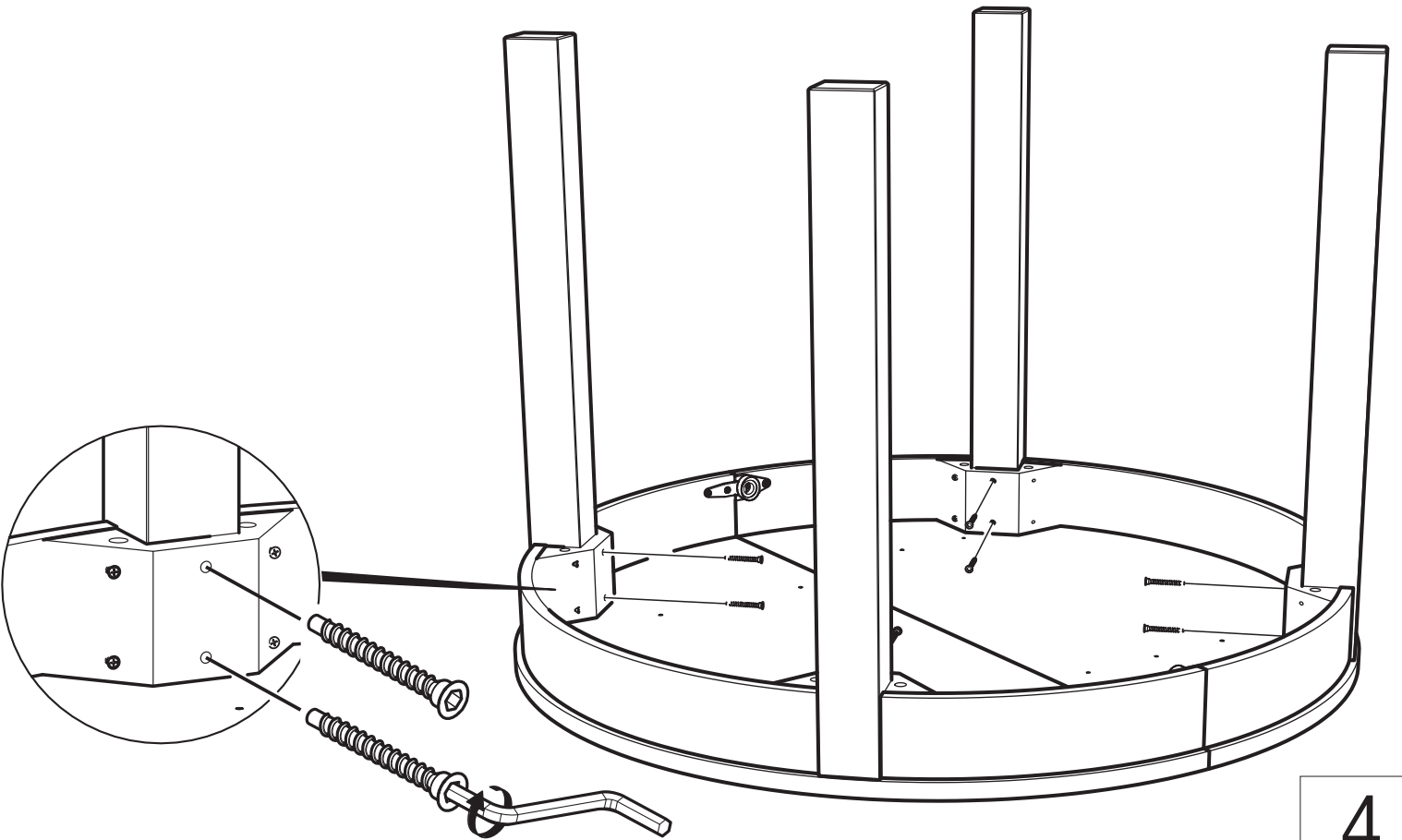
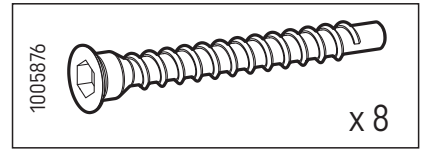


3

5



6



4

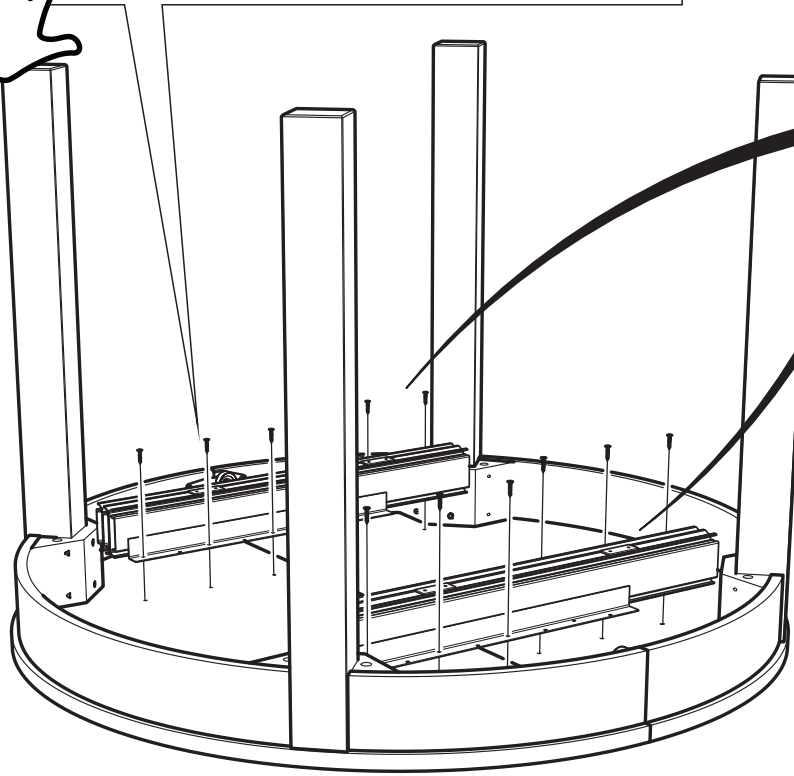
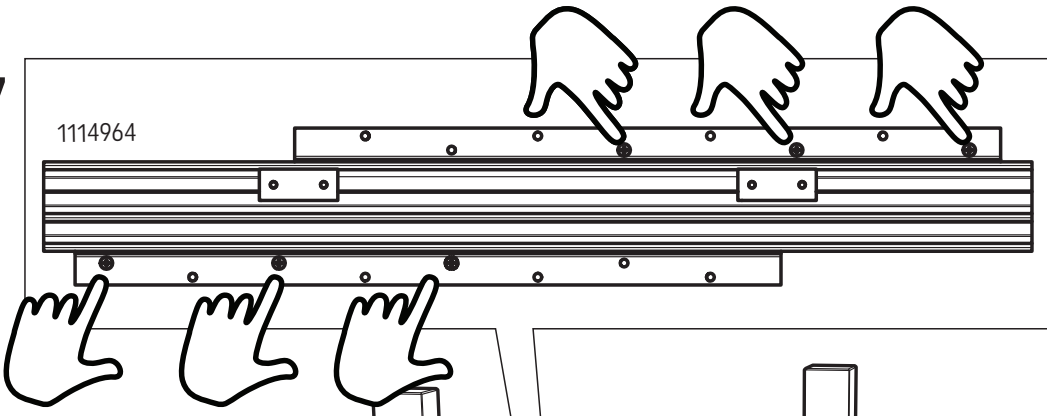
7

1114964

1005457



x 12

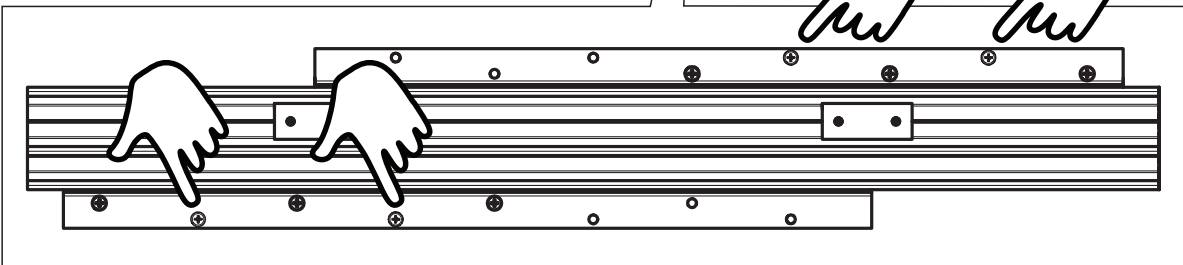
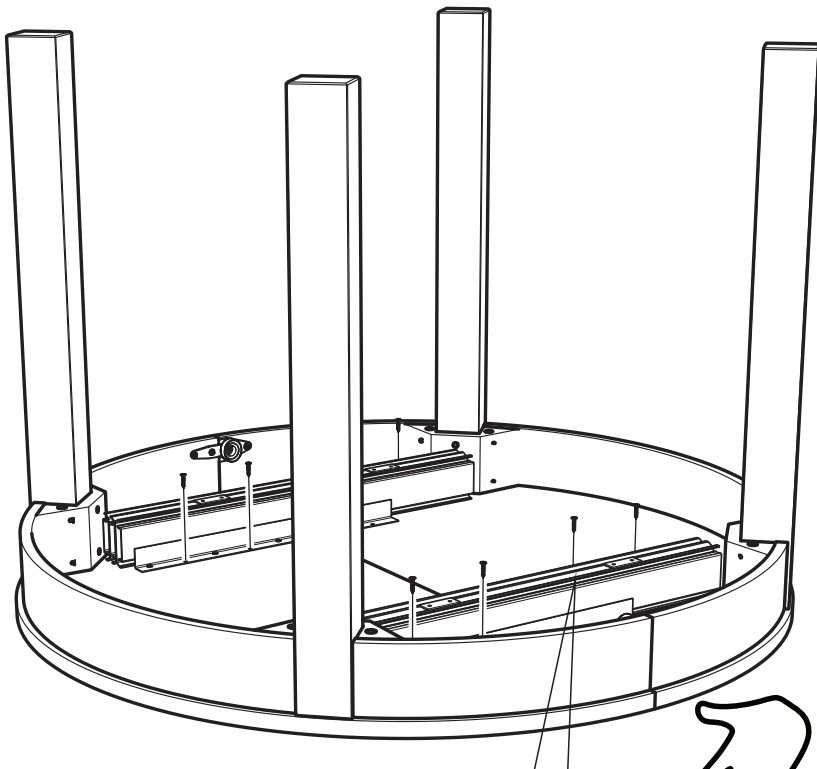


8

1005457

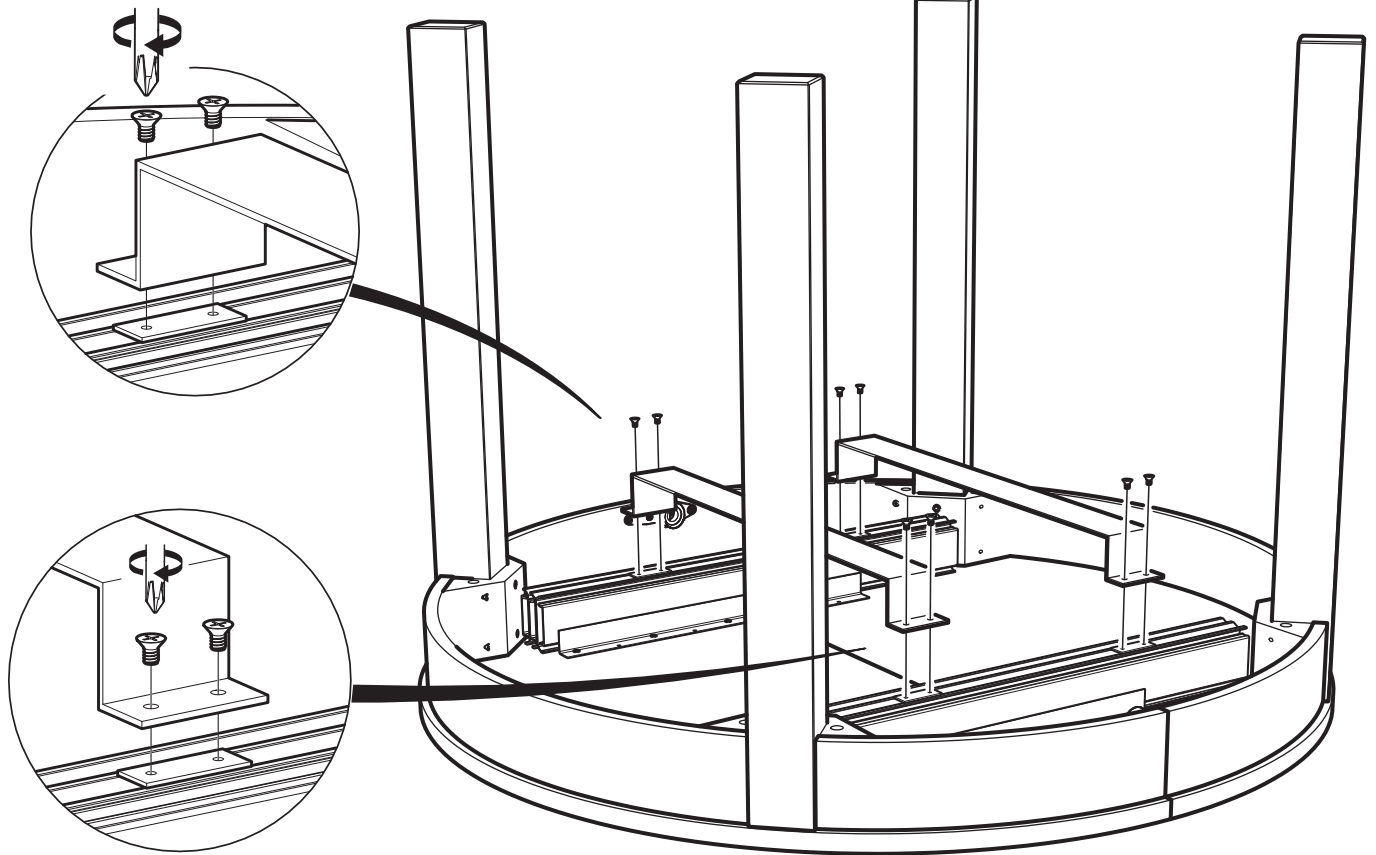
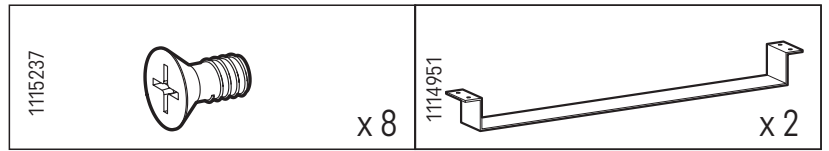


x 8

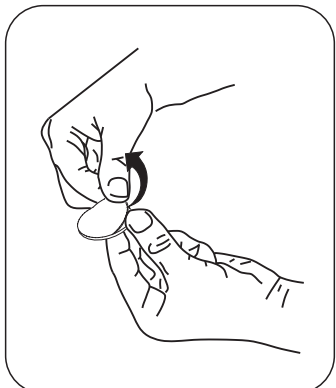
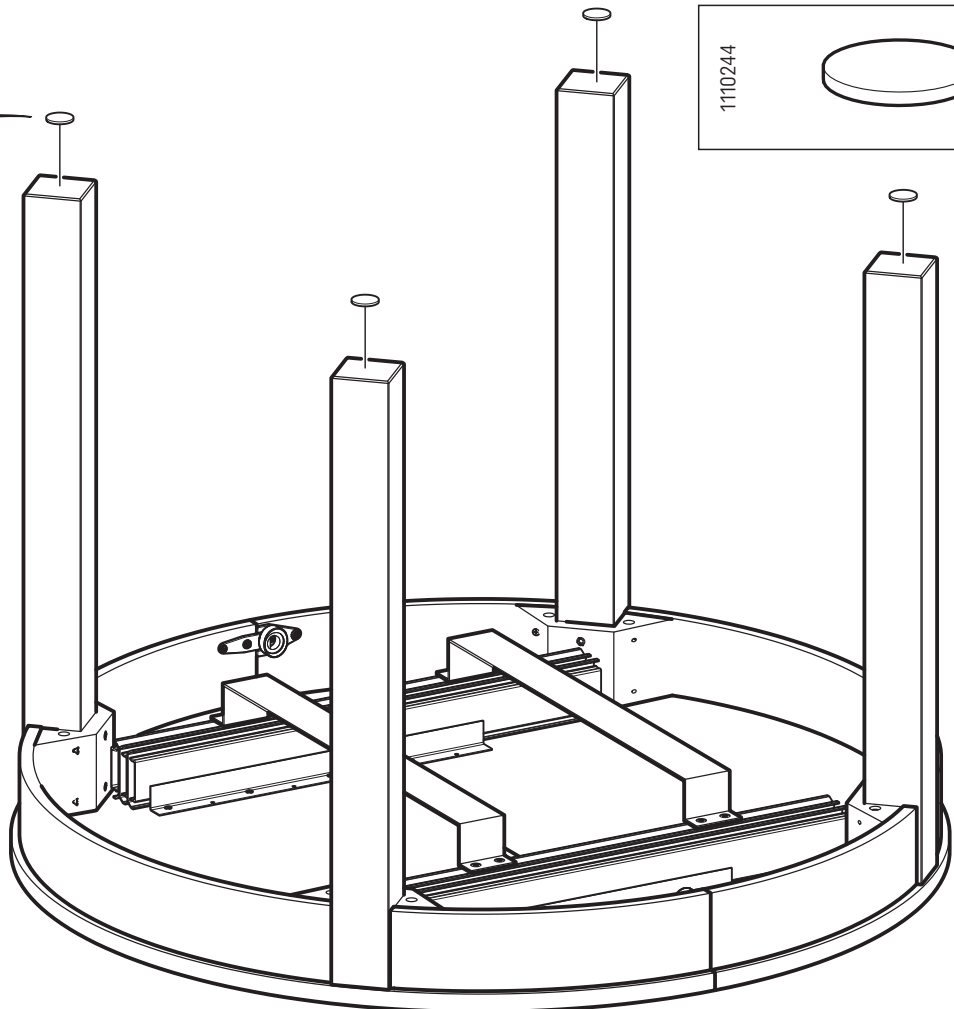
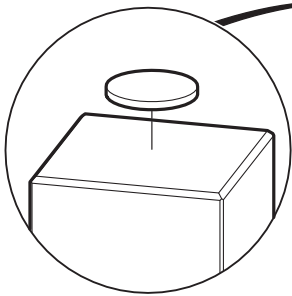
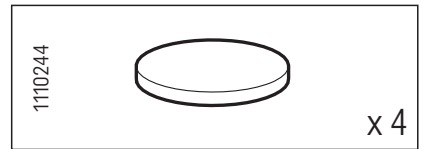


5

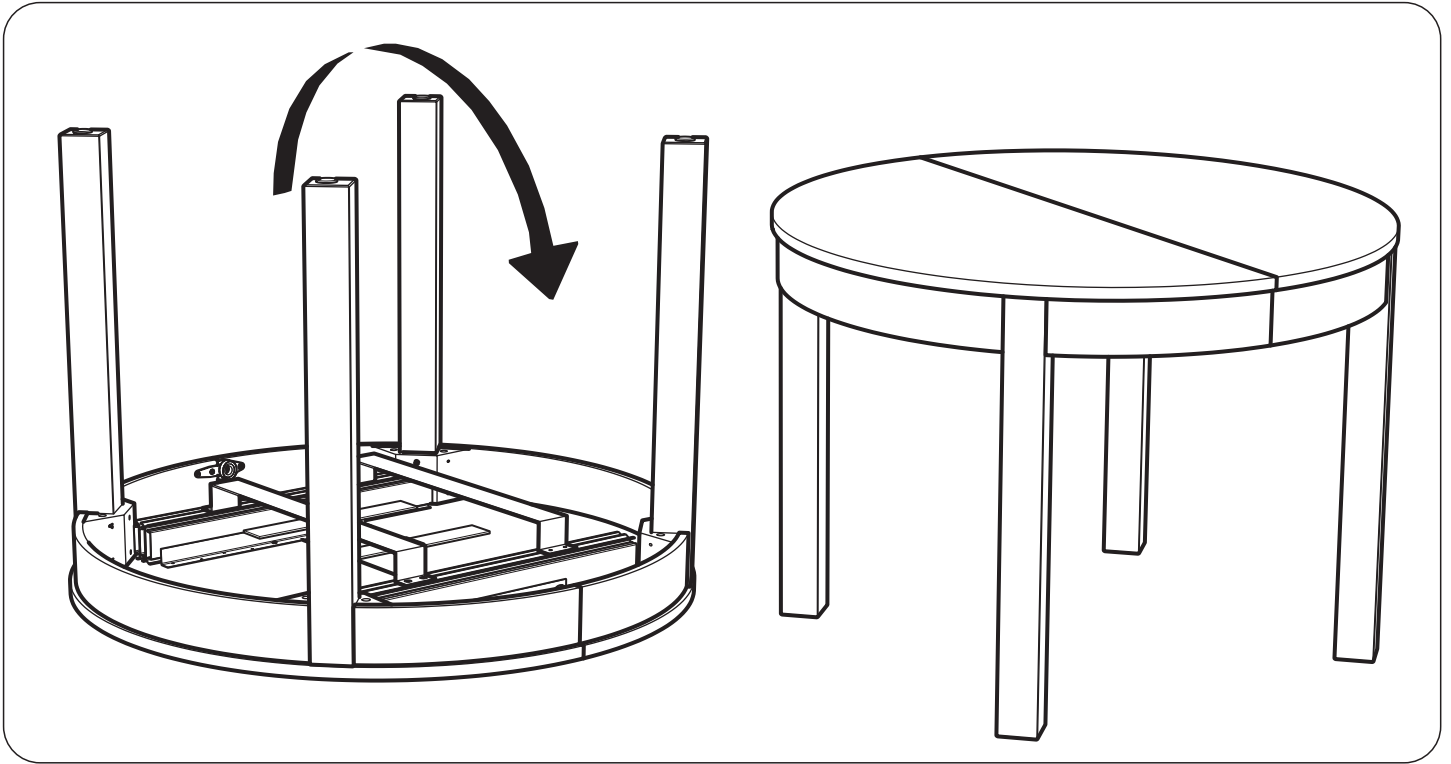
9



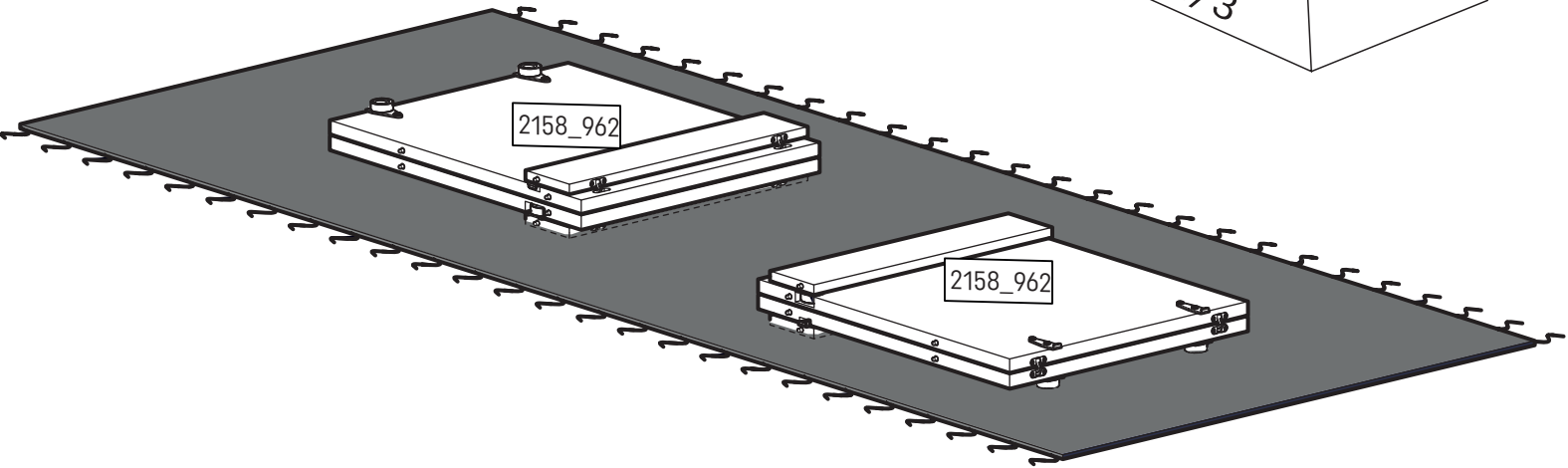
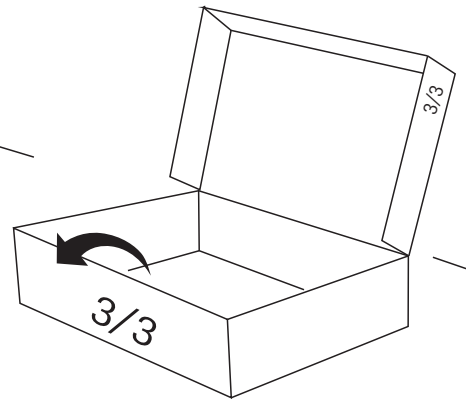
10



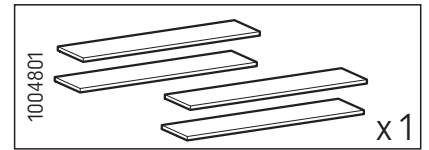
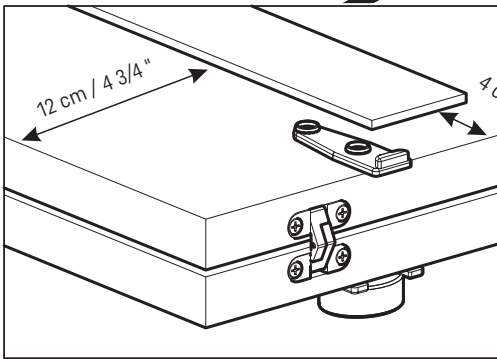
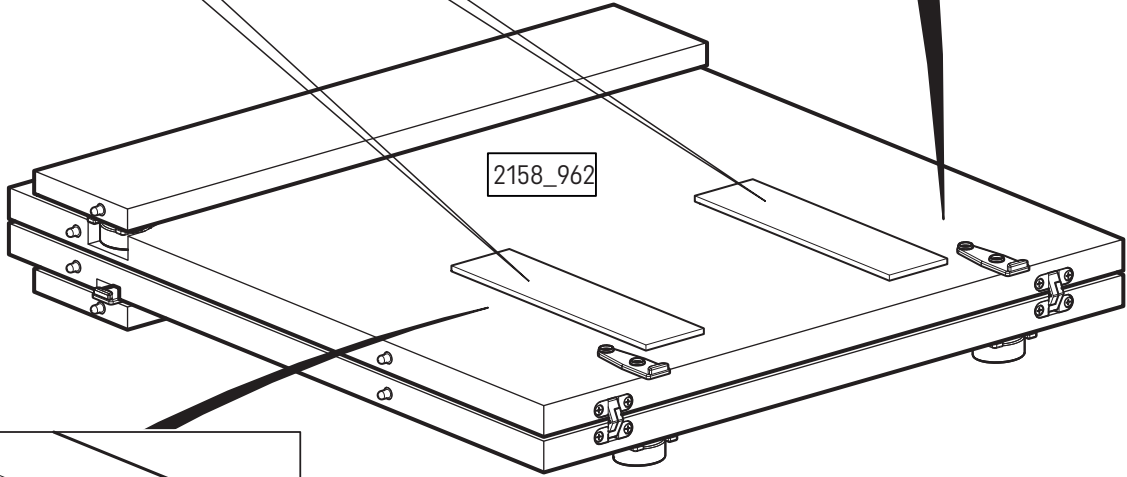
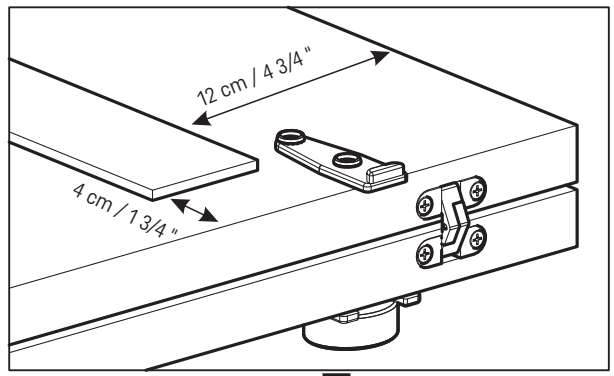
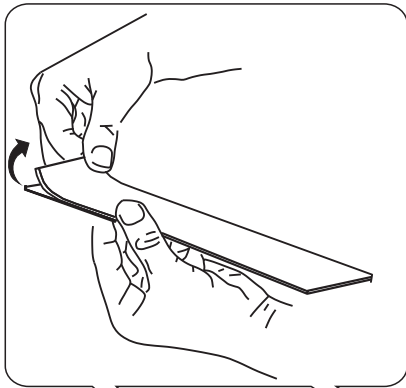
6



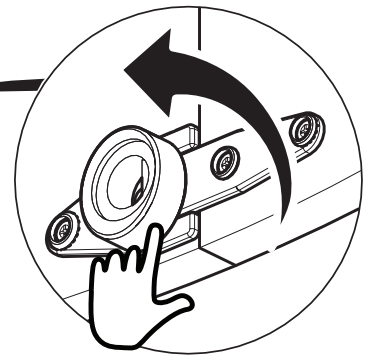
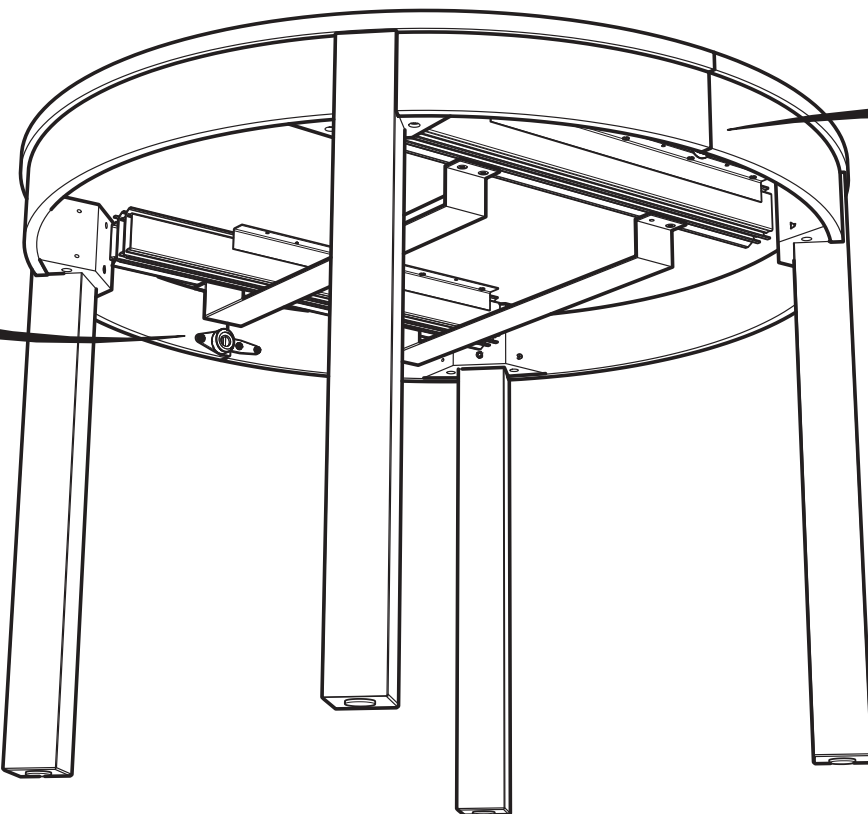
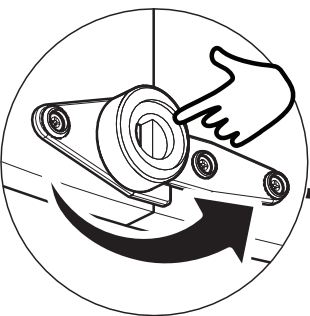
i



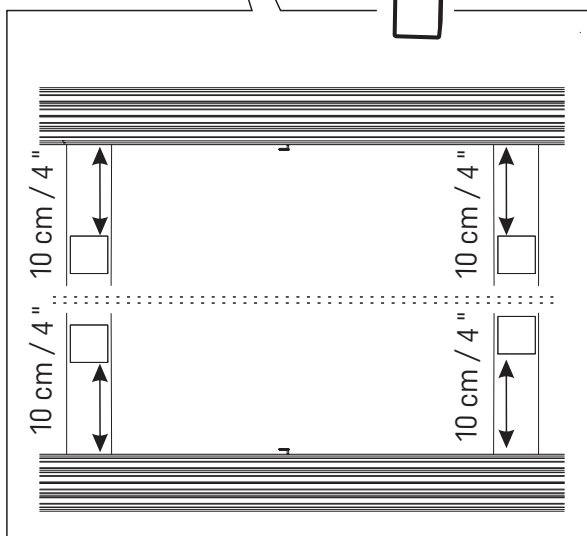
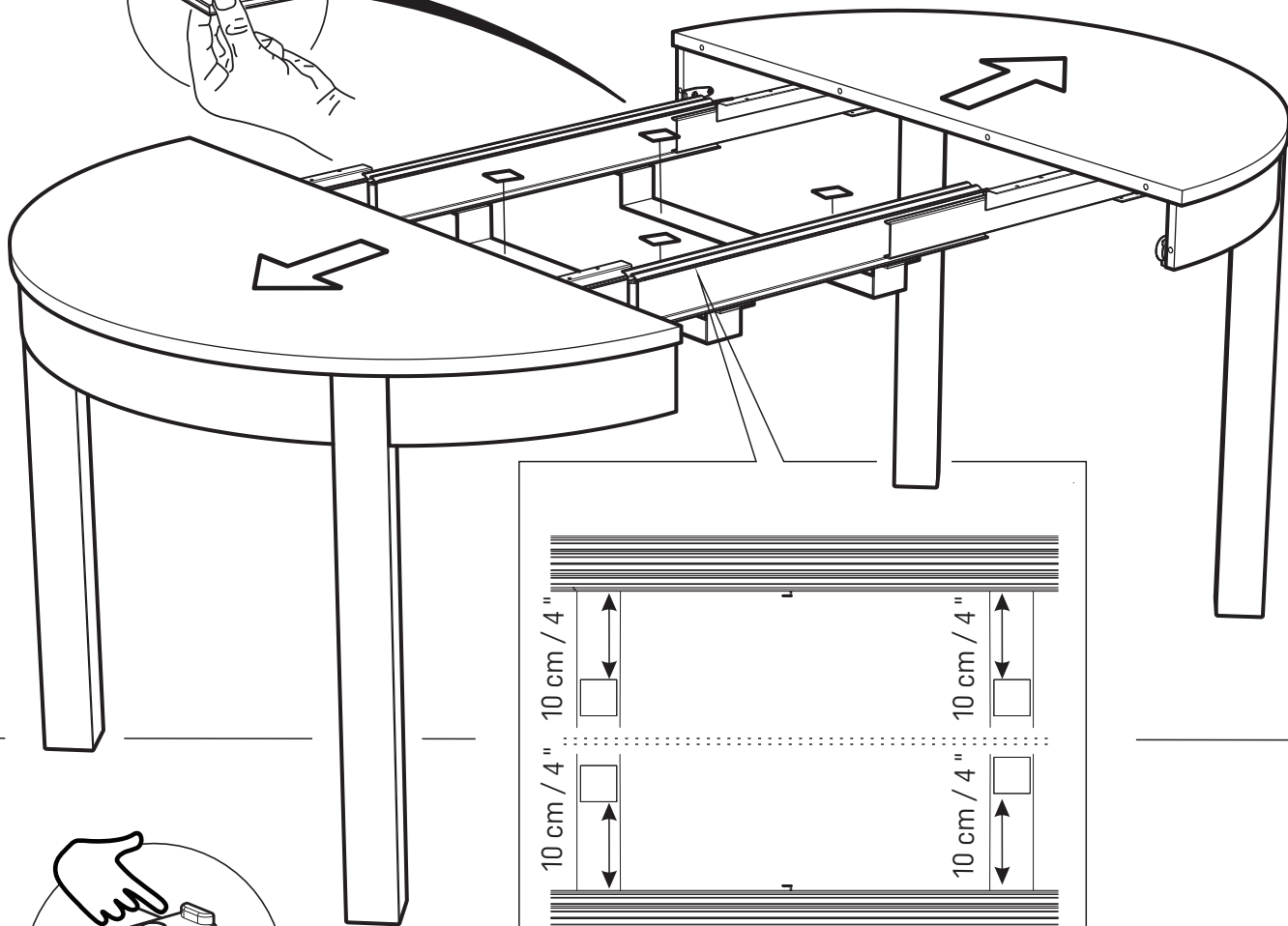
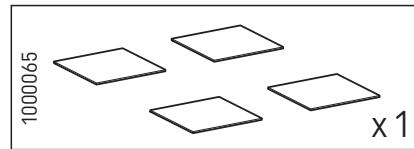
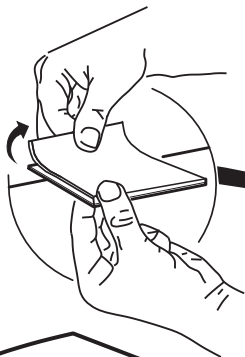
11



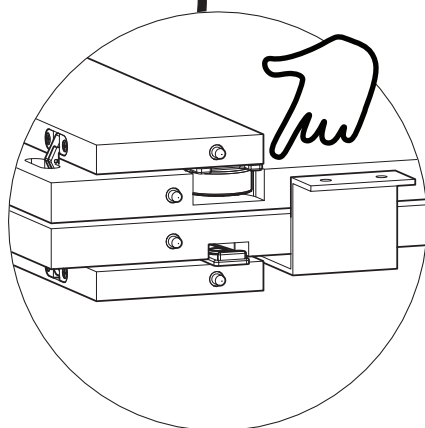
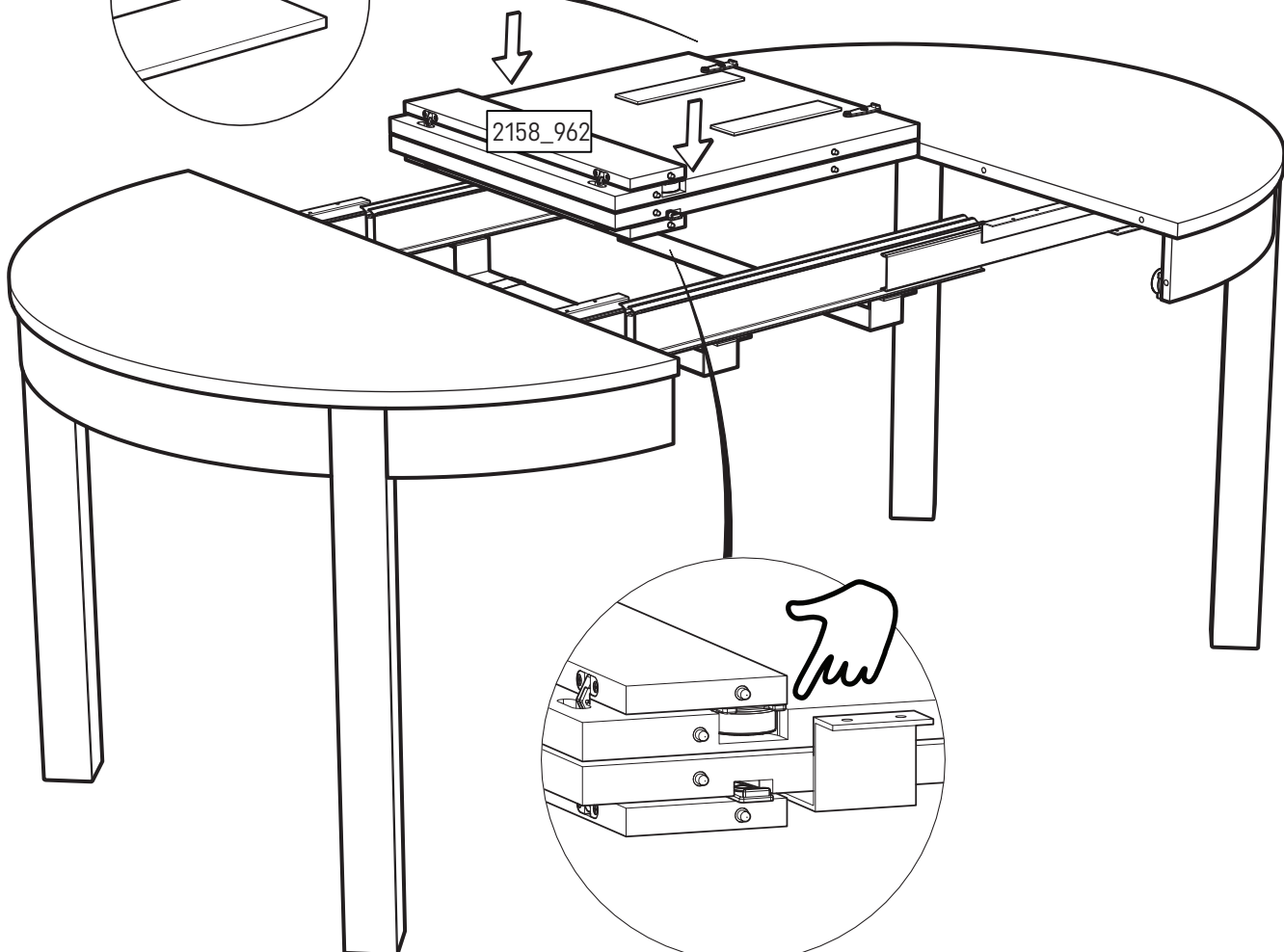
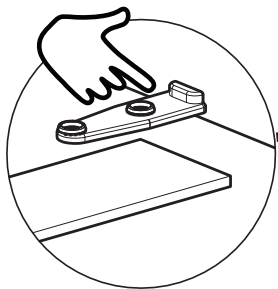
12



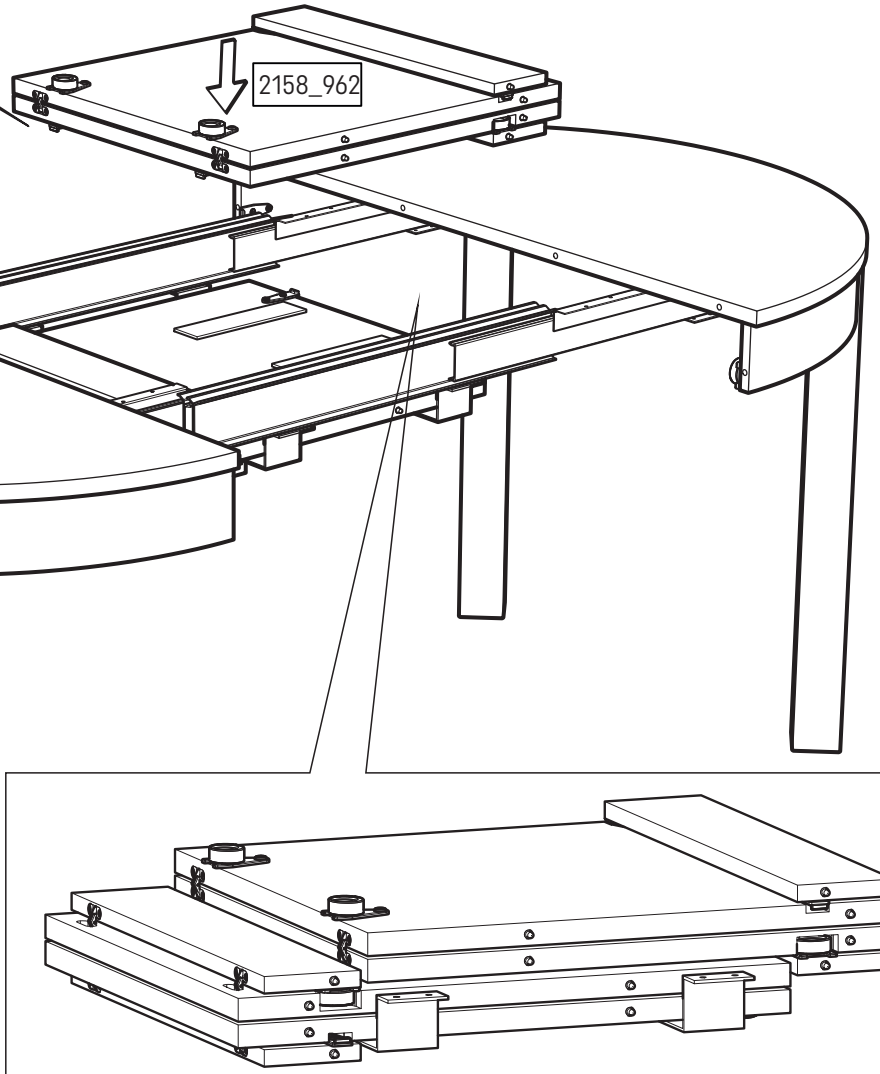
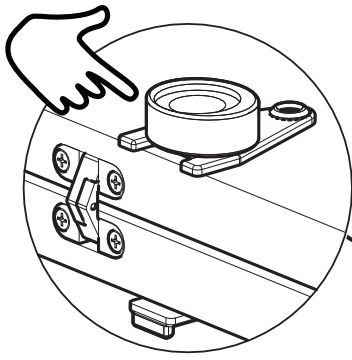
13



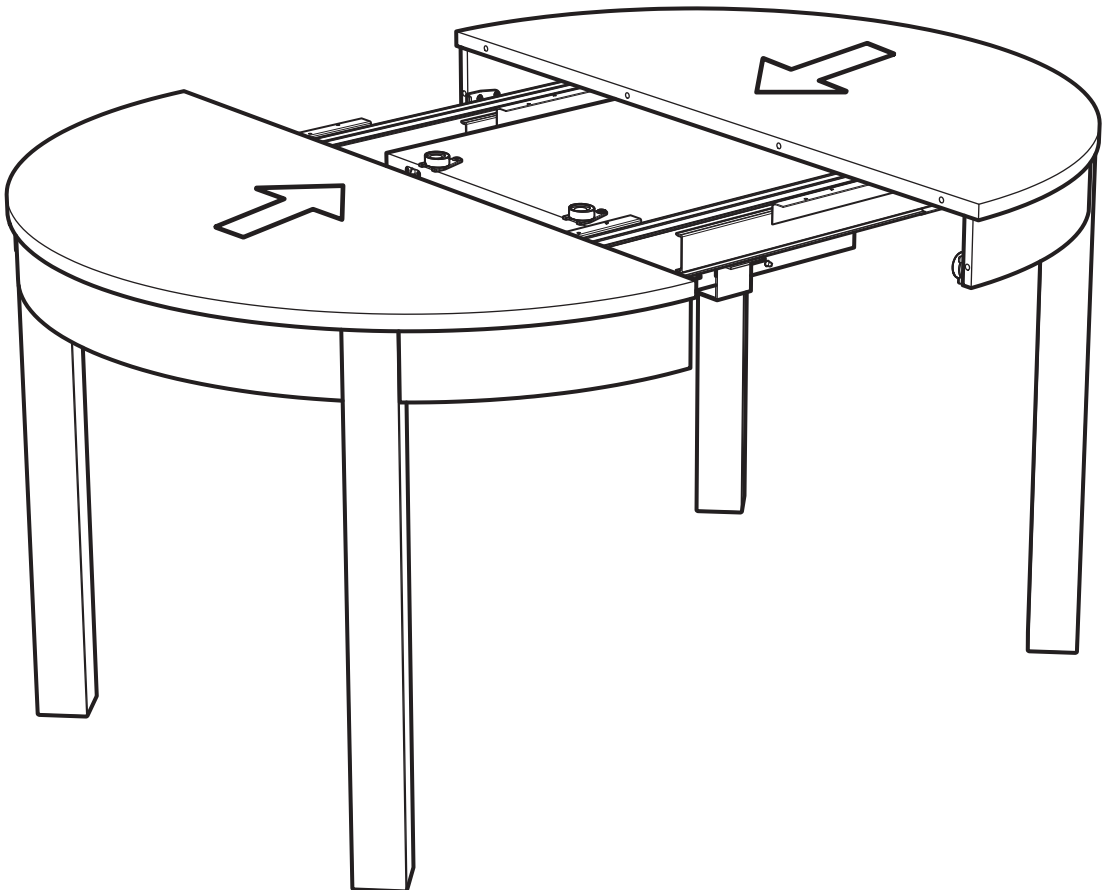
14



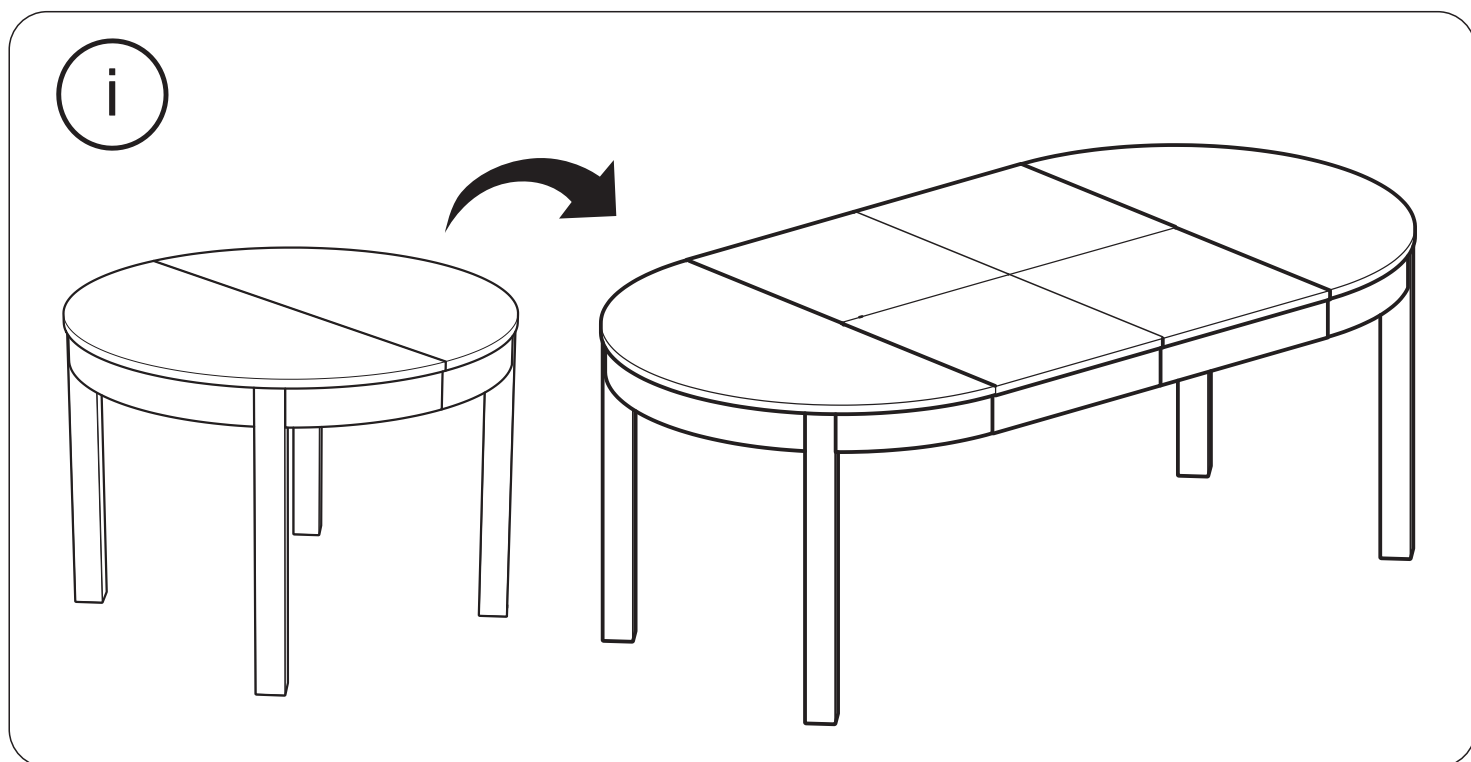
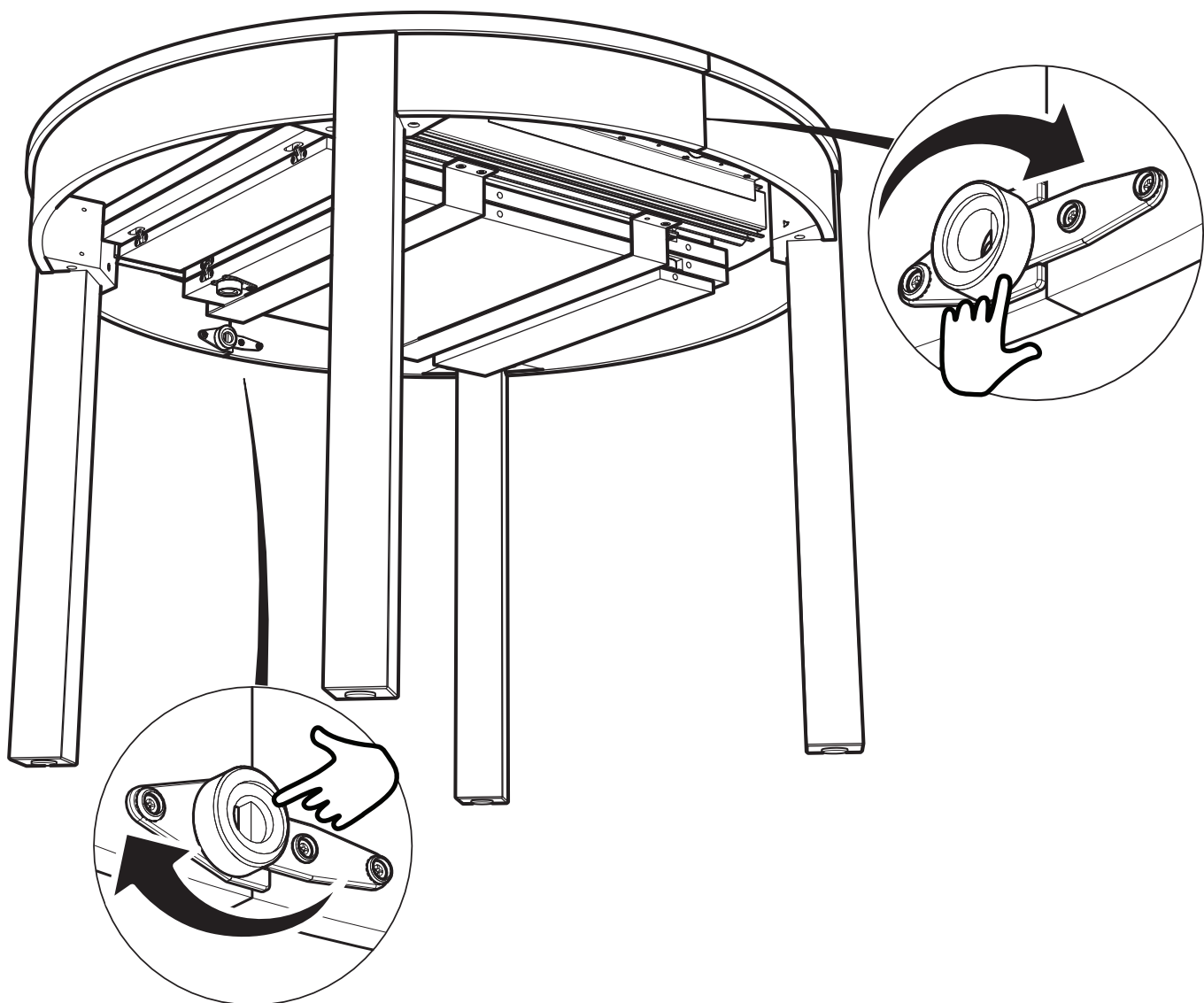
15



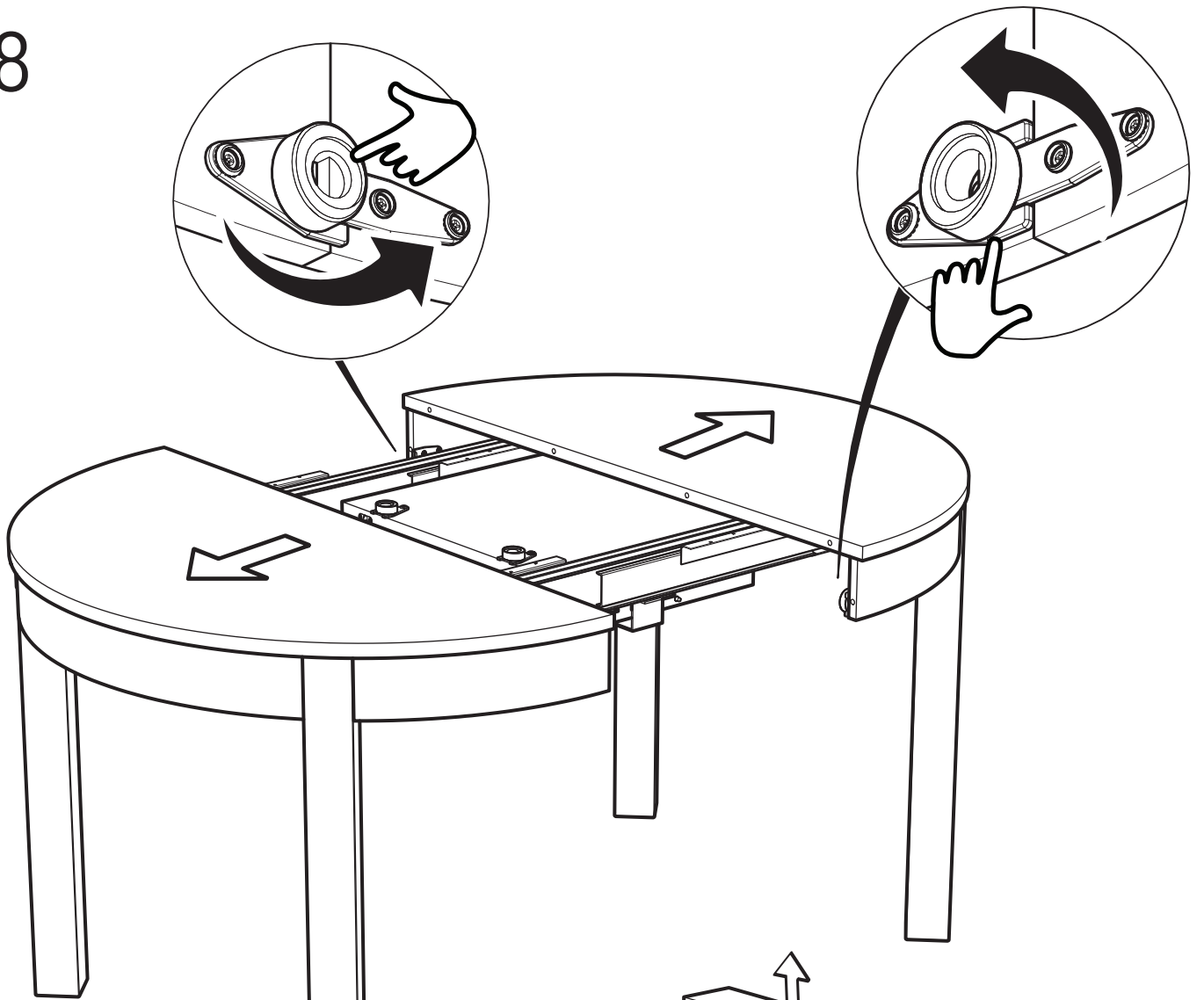
16



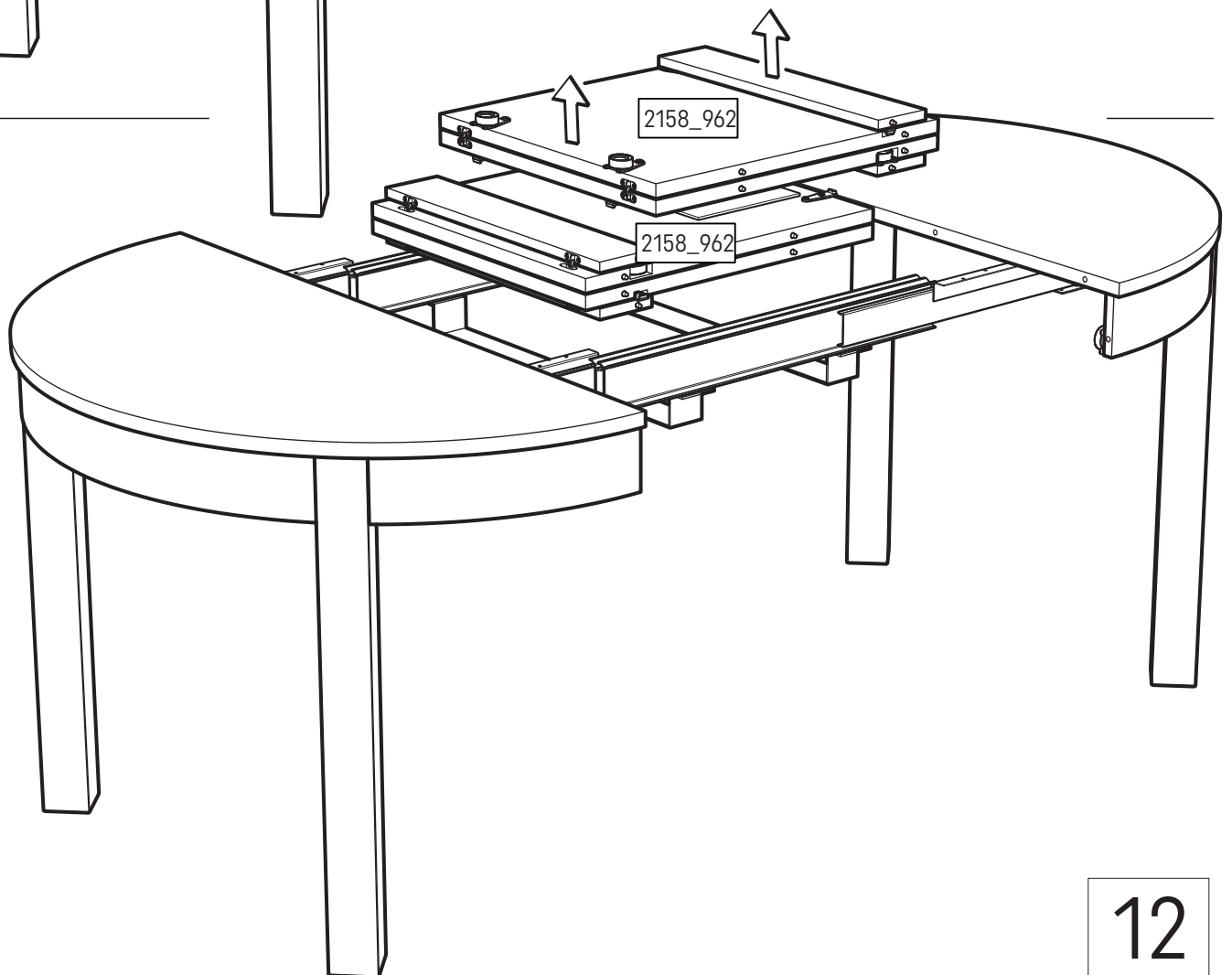
17



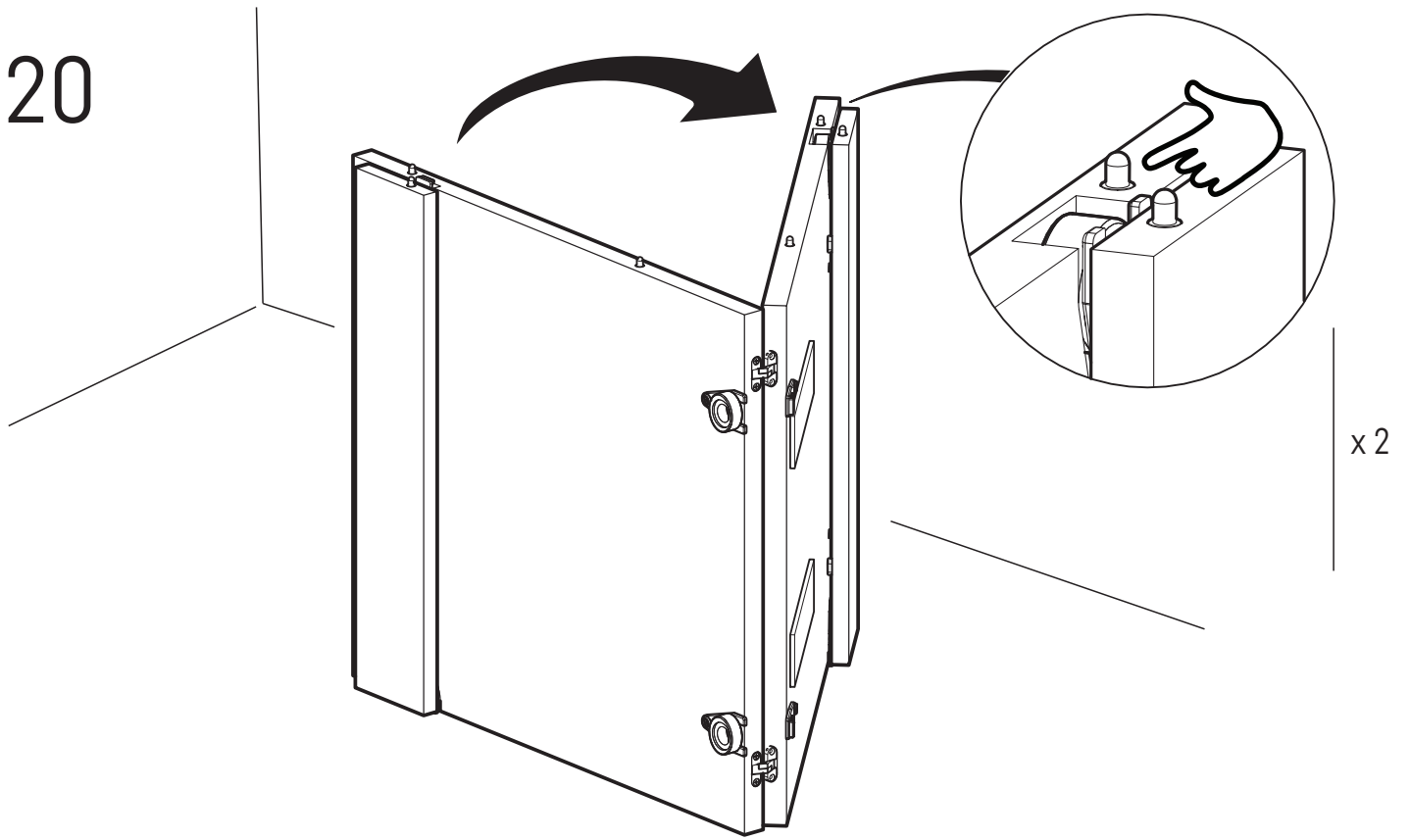
18



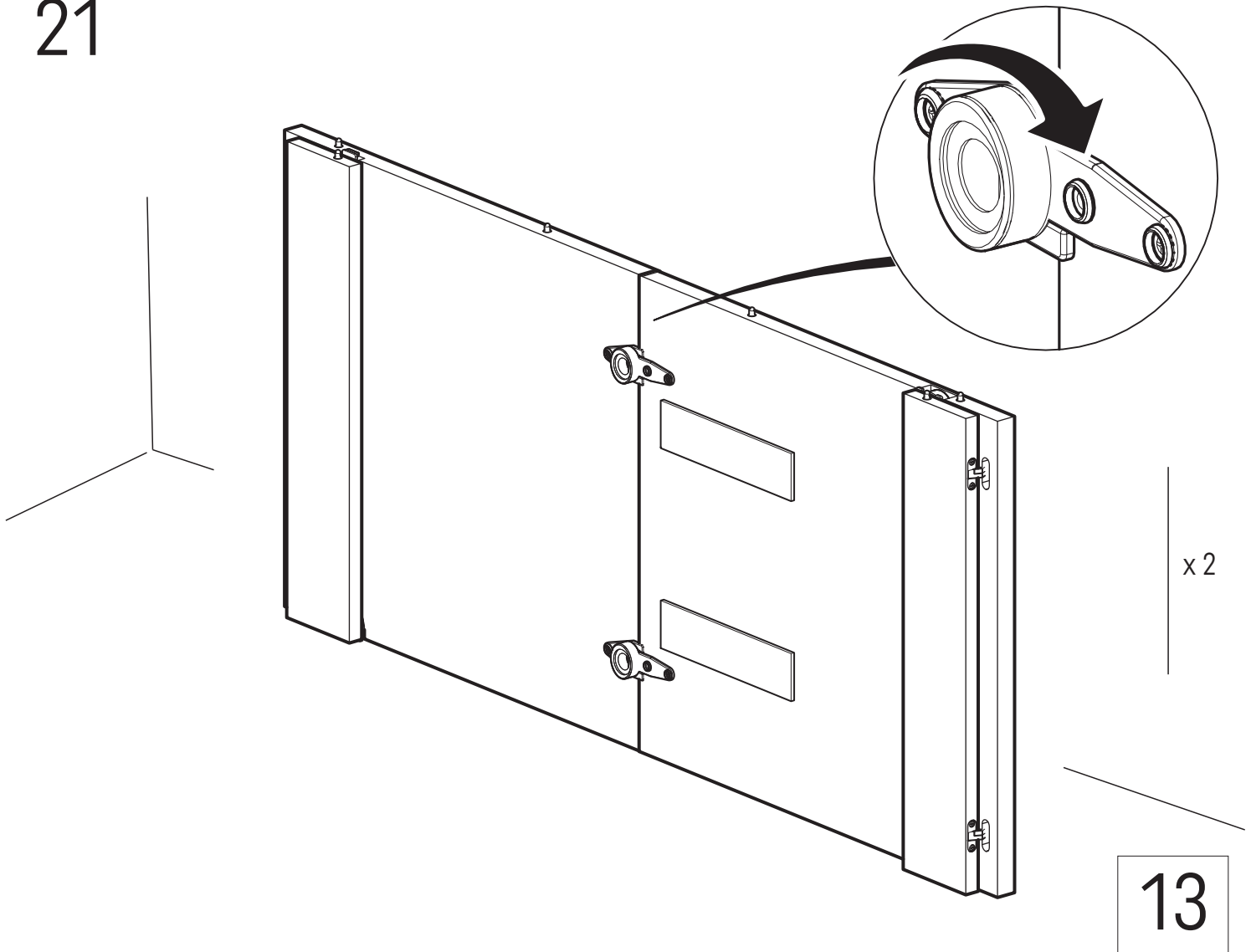
19



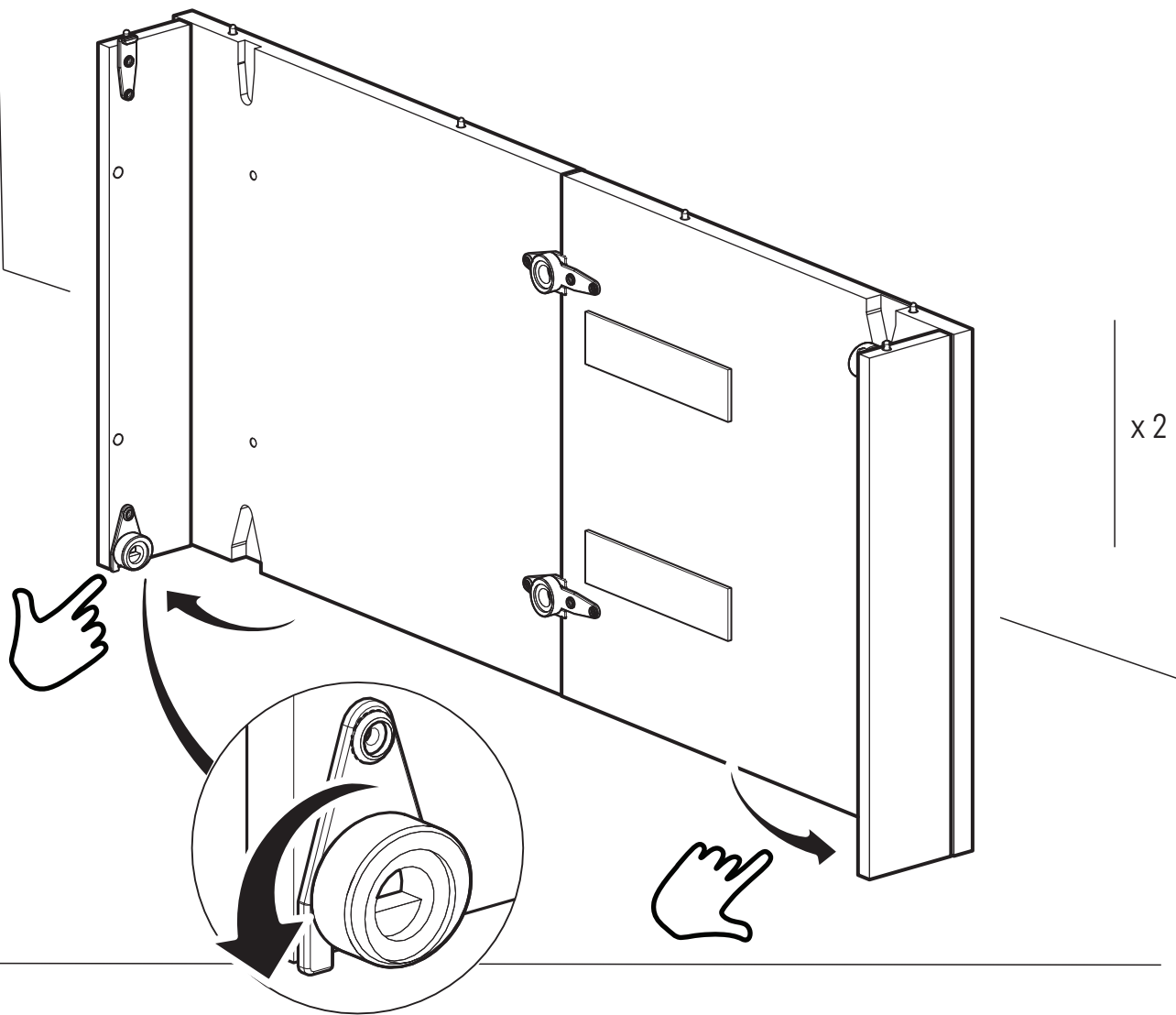
20



21



22



23

